

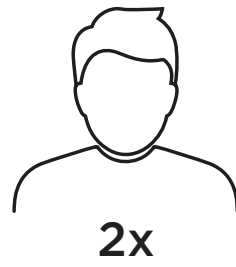
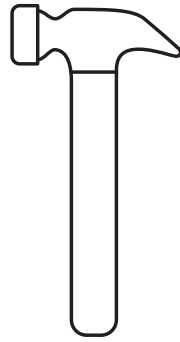
# ample

076.001.03

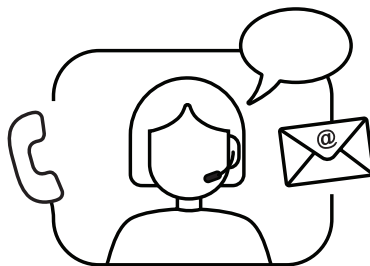
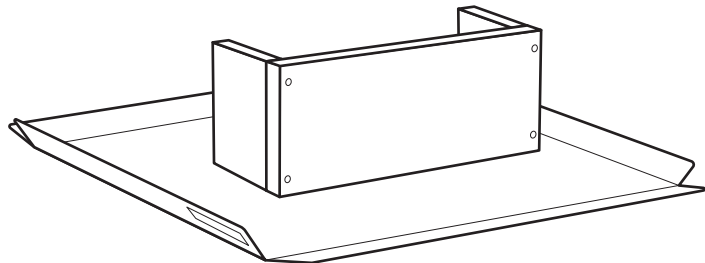
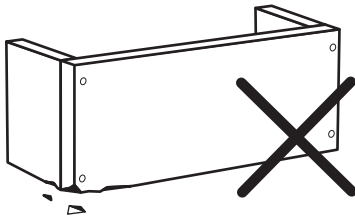
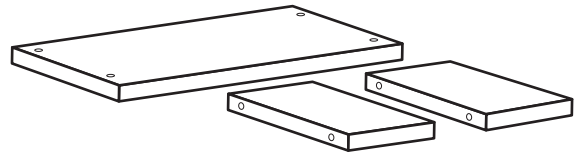
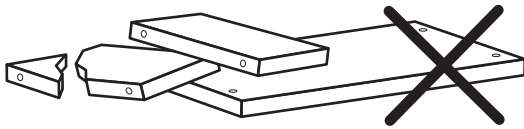
076.001.04

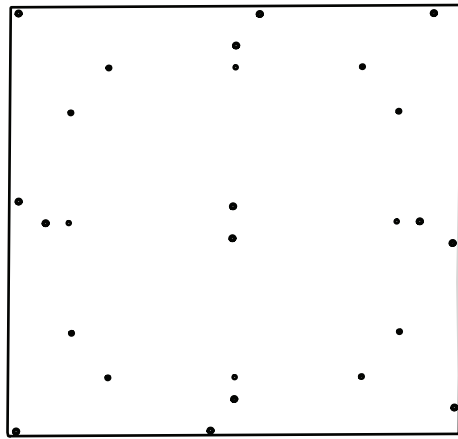
076.001.05

076.001.06

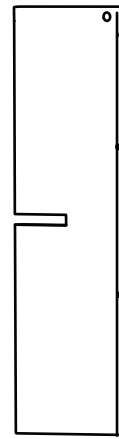


2x

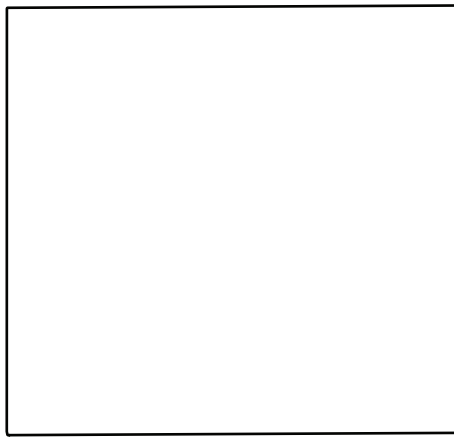




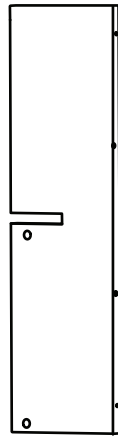
1x



1x



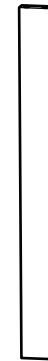
1x



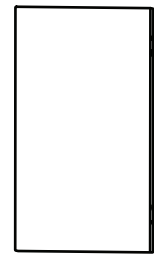
1x



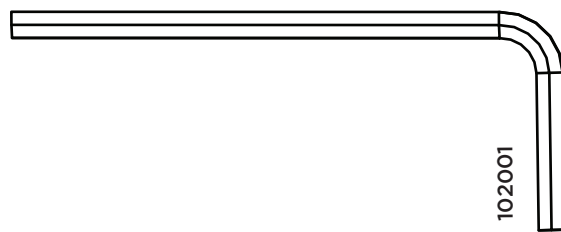
2x



2x

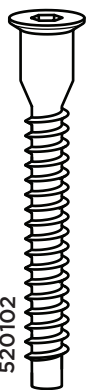


4x



102001

1x



520102

18x



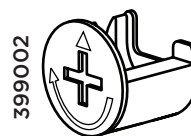
396001

9x



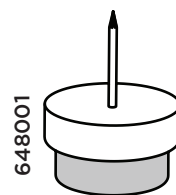
357004

40x



399002

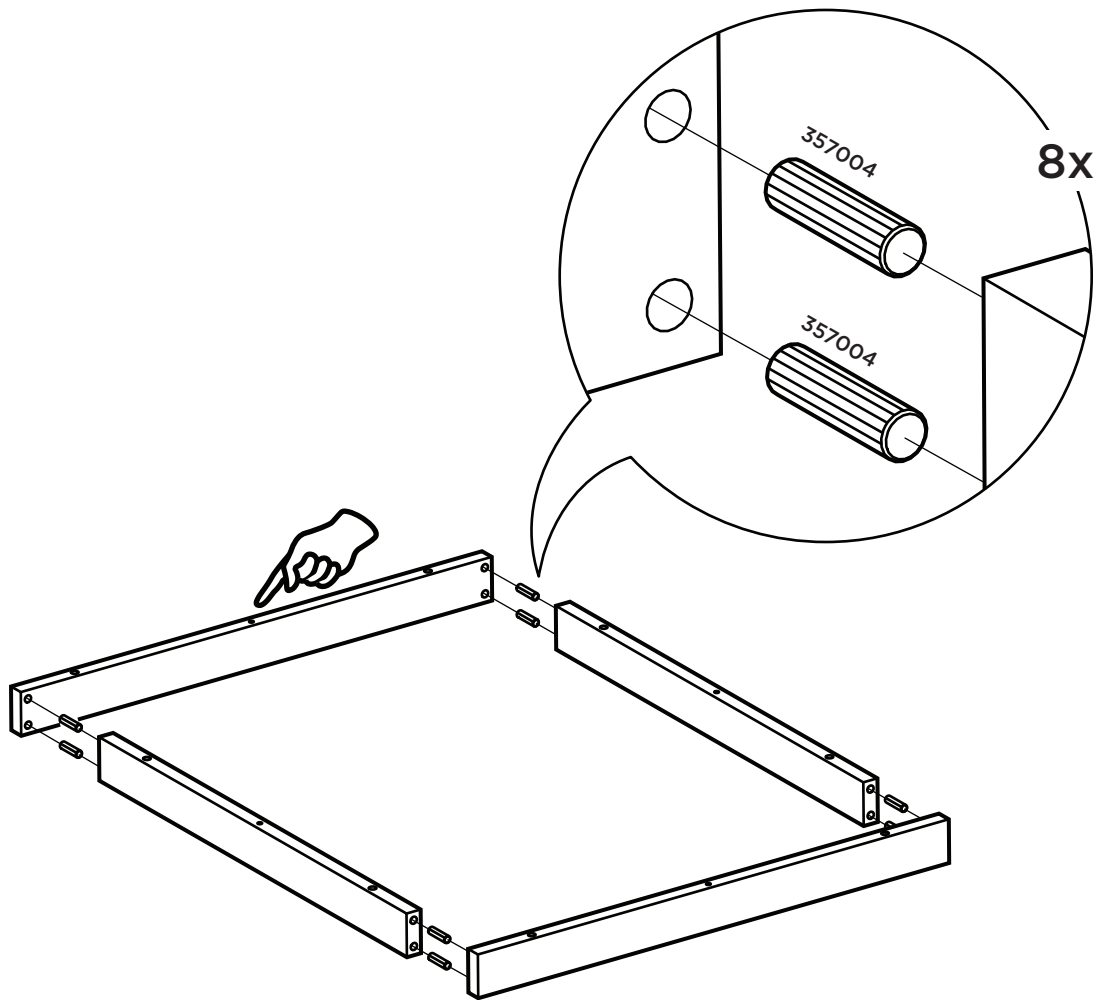
9x



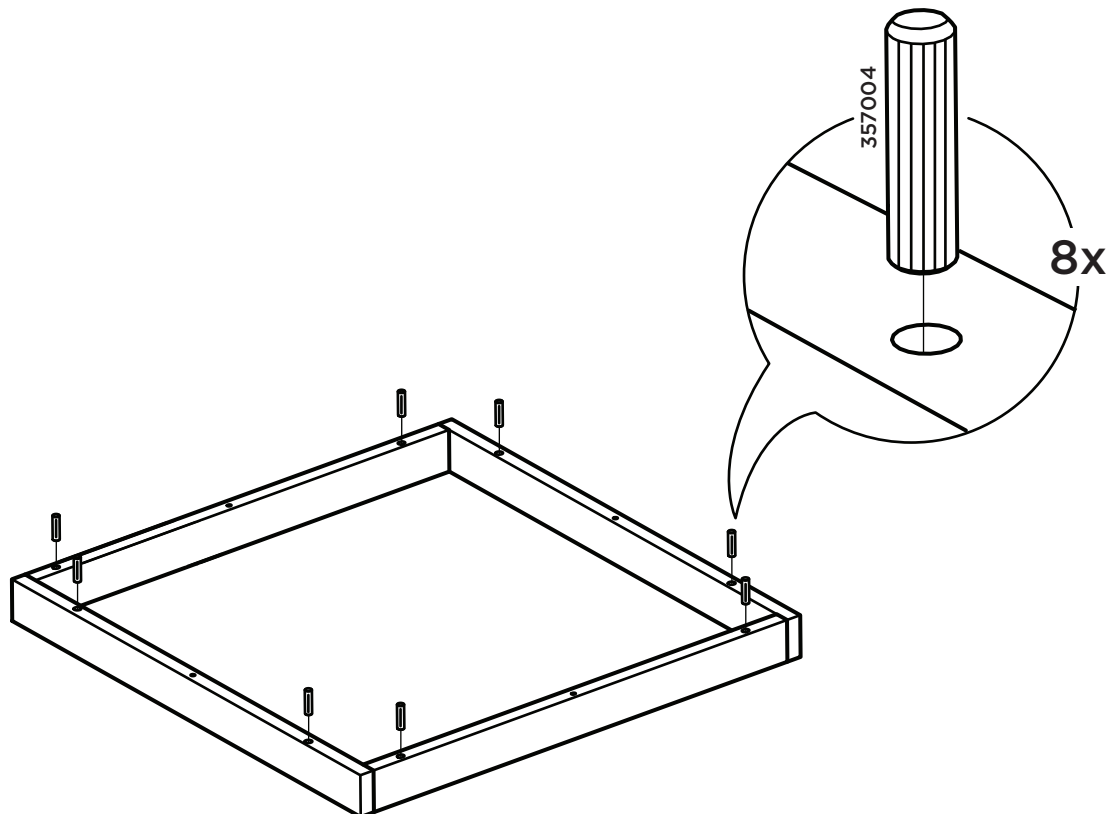
648001

4x

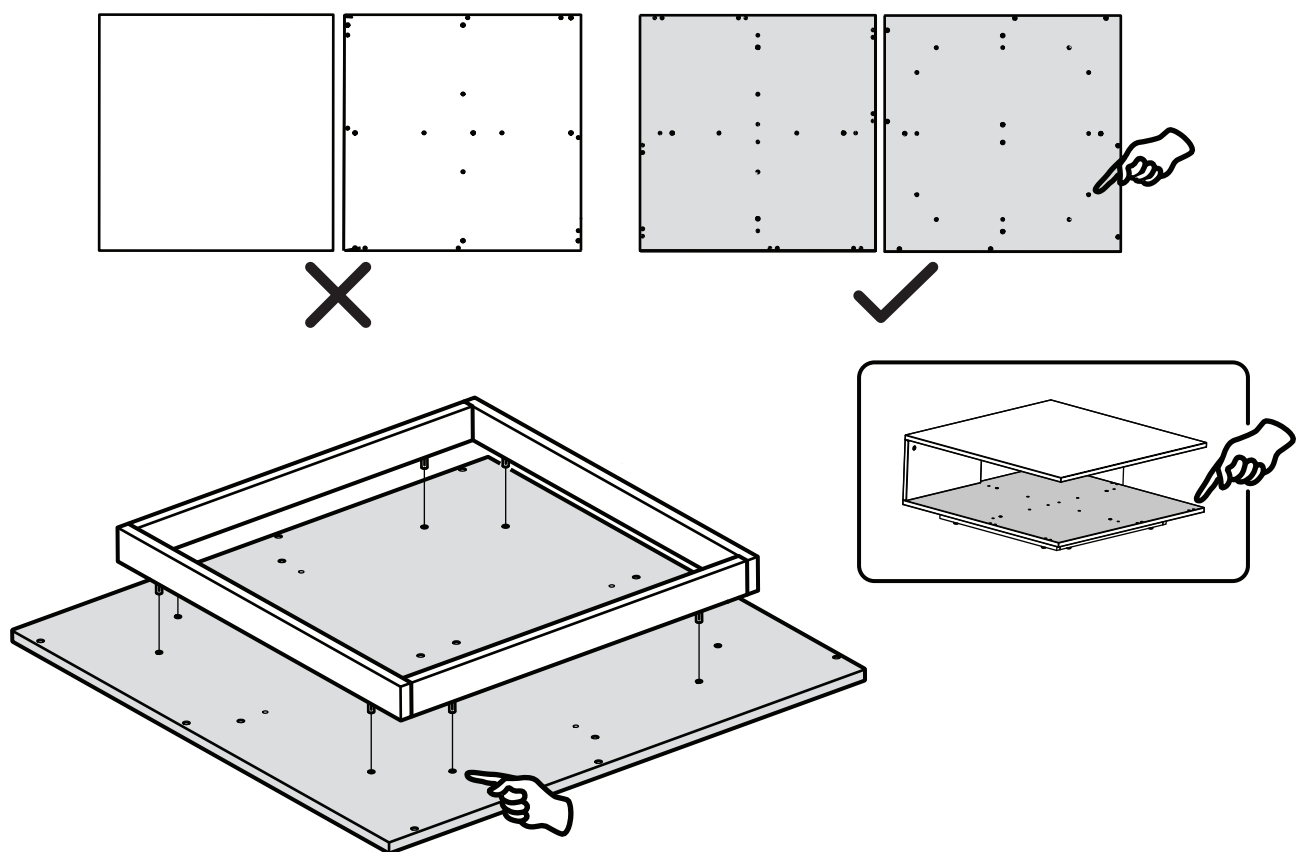
1



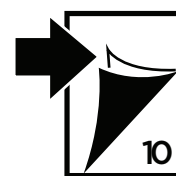
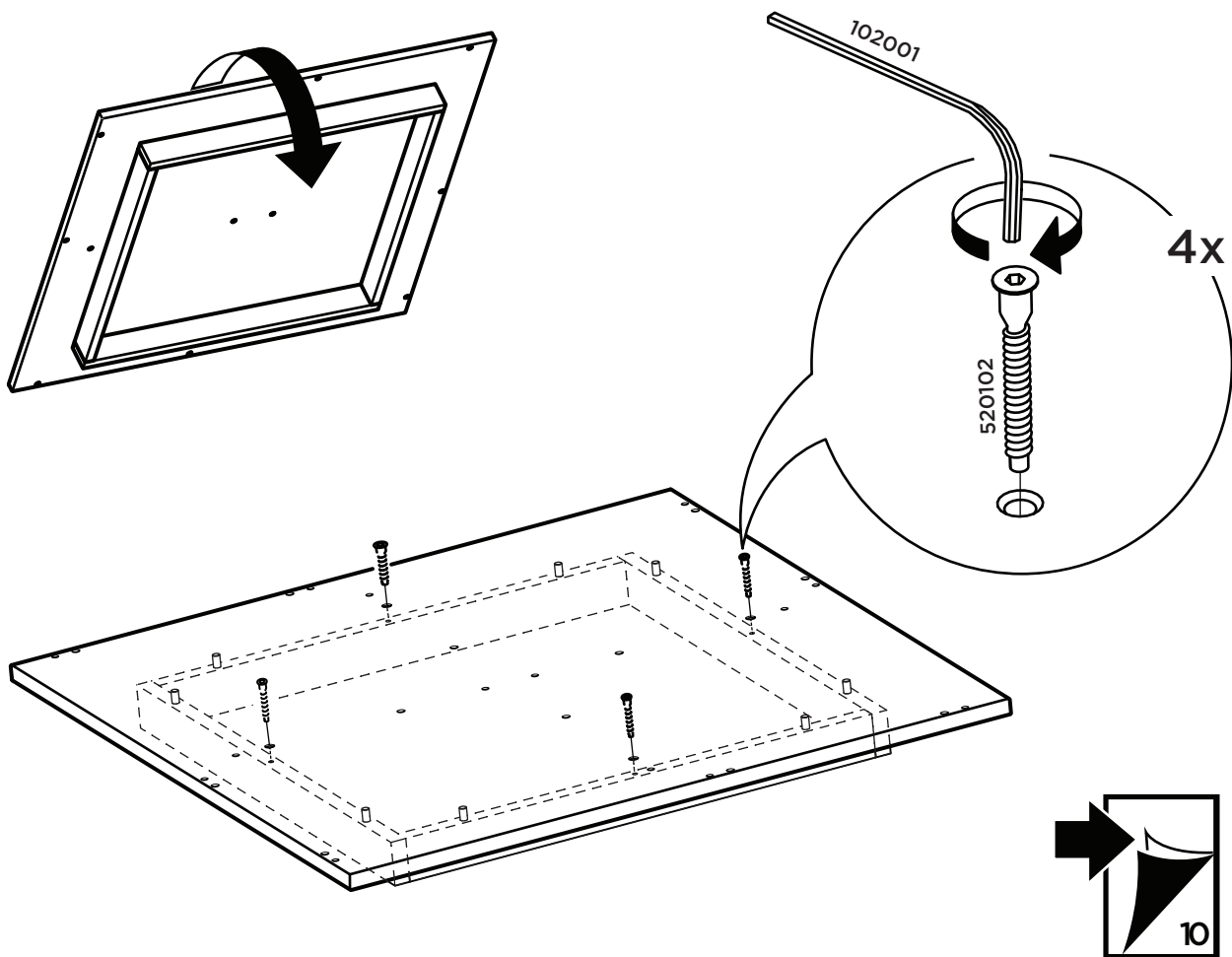
2

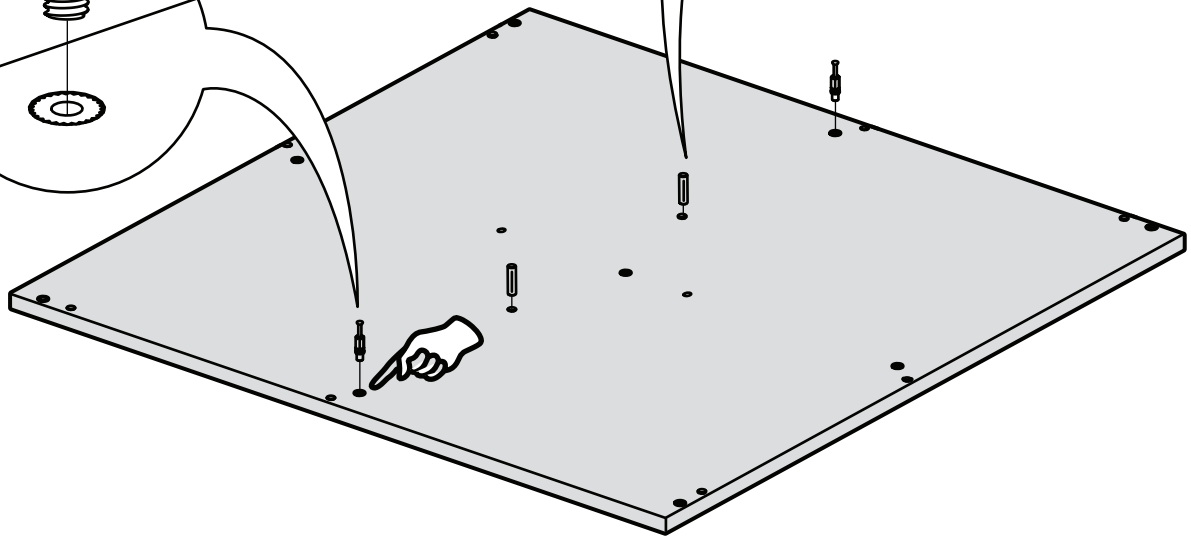
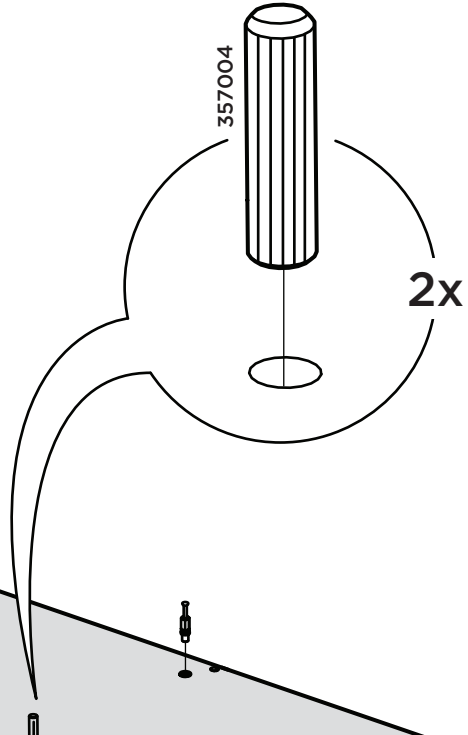
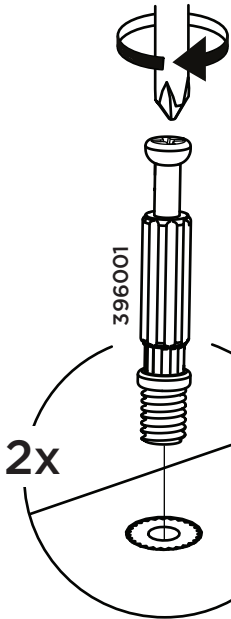
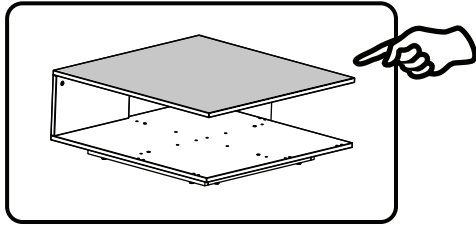
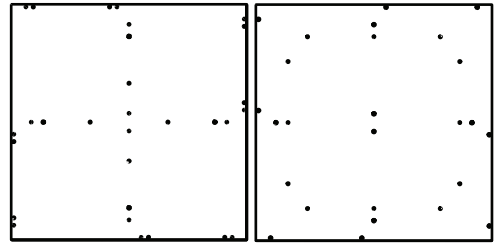
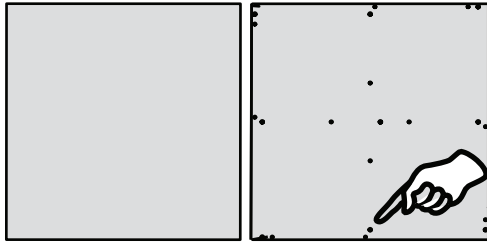


3

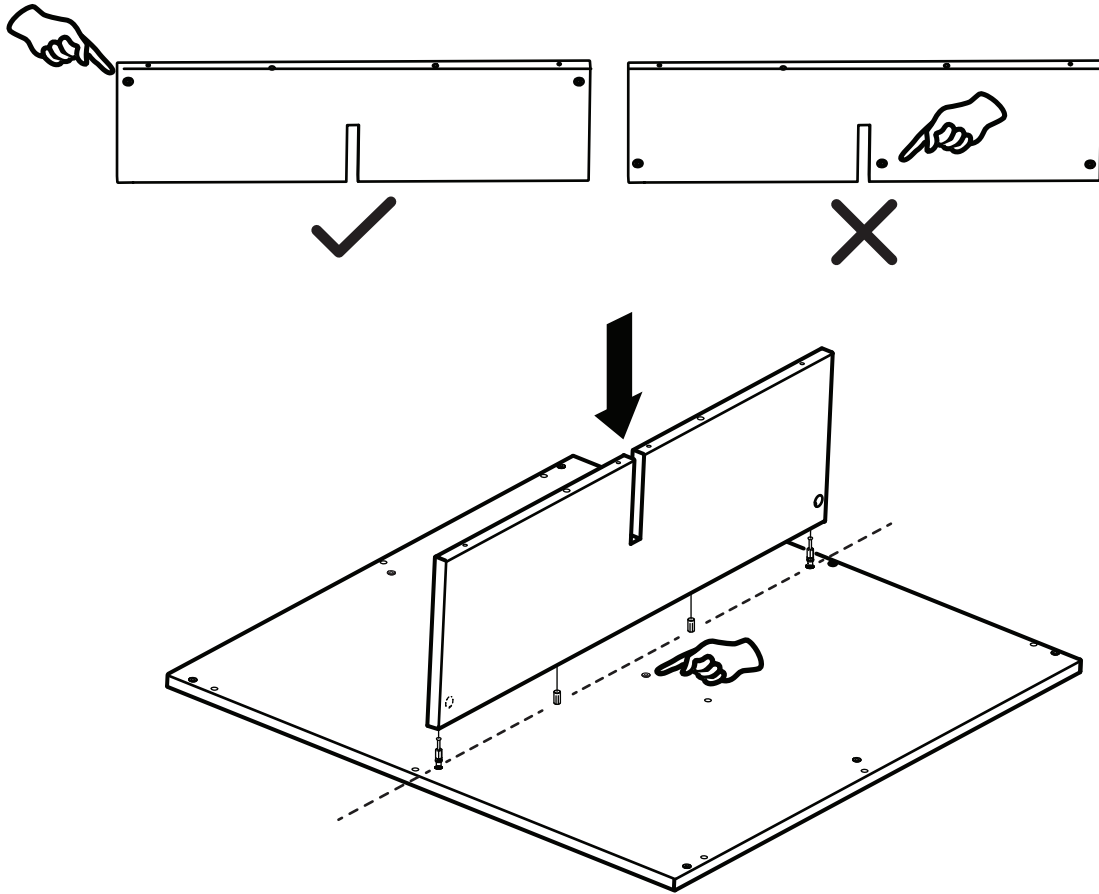


4

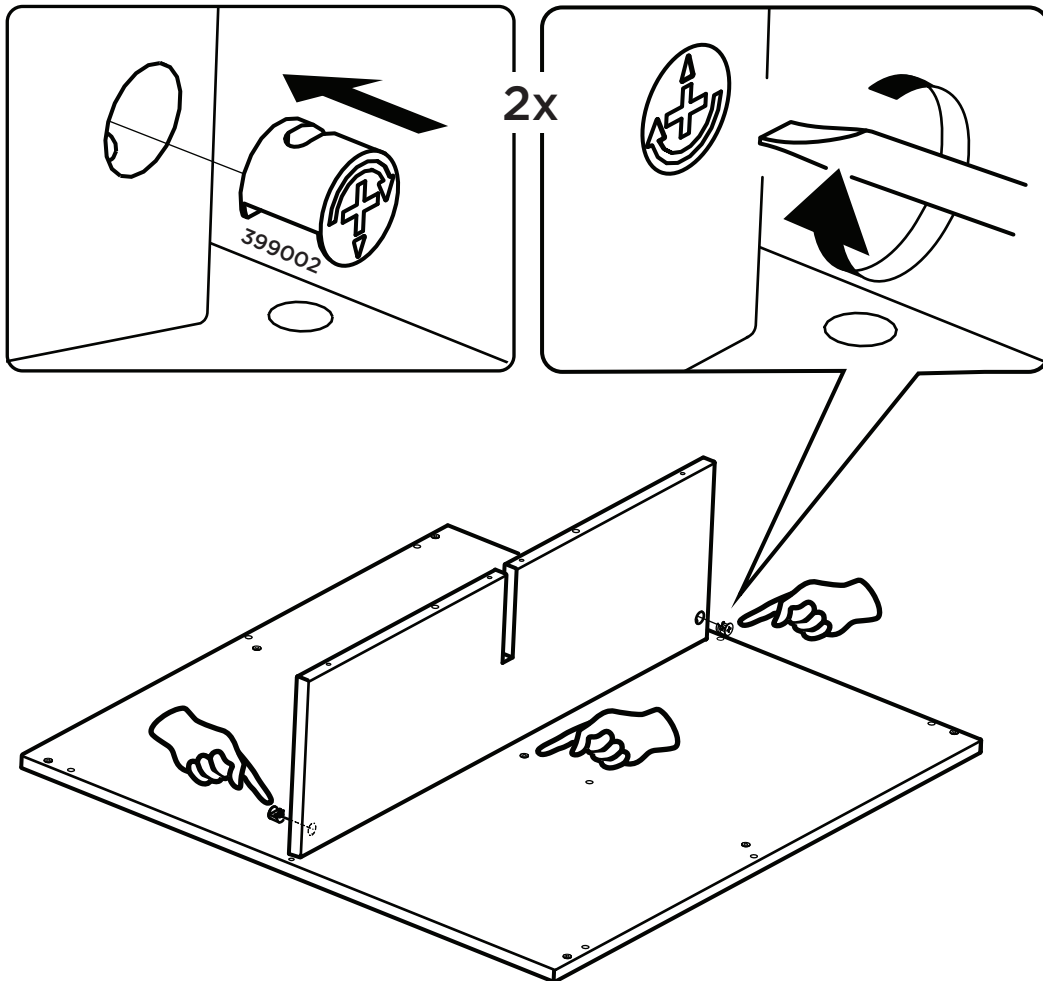




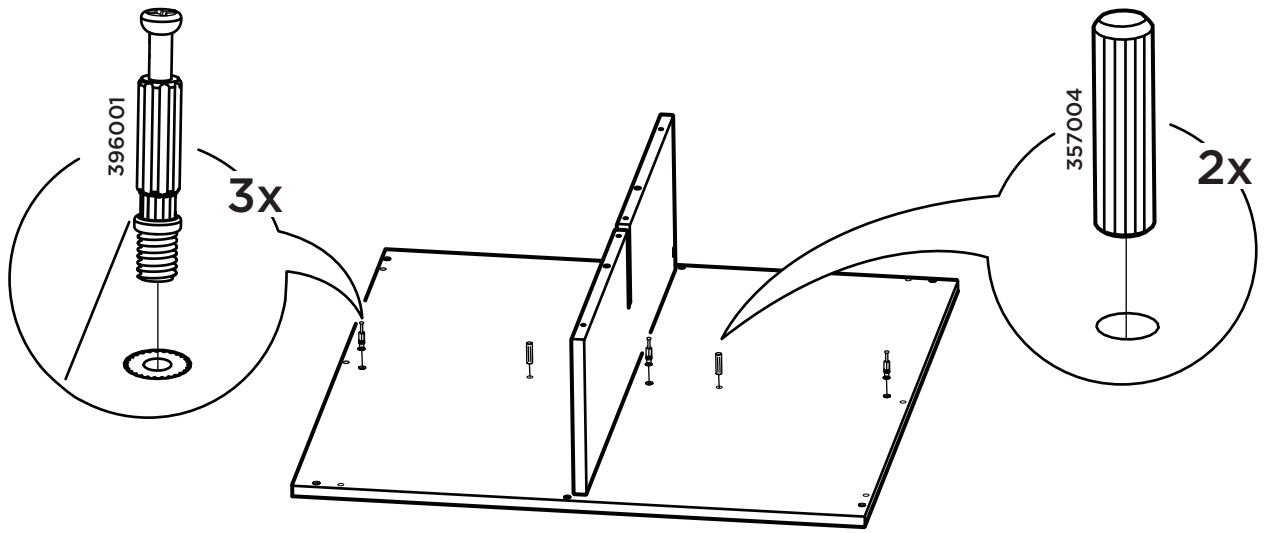
6



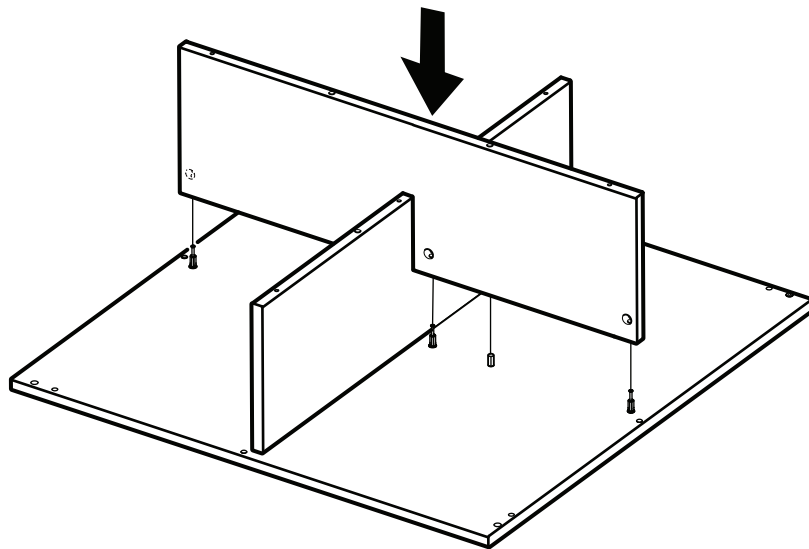
7



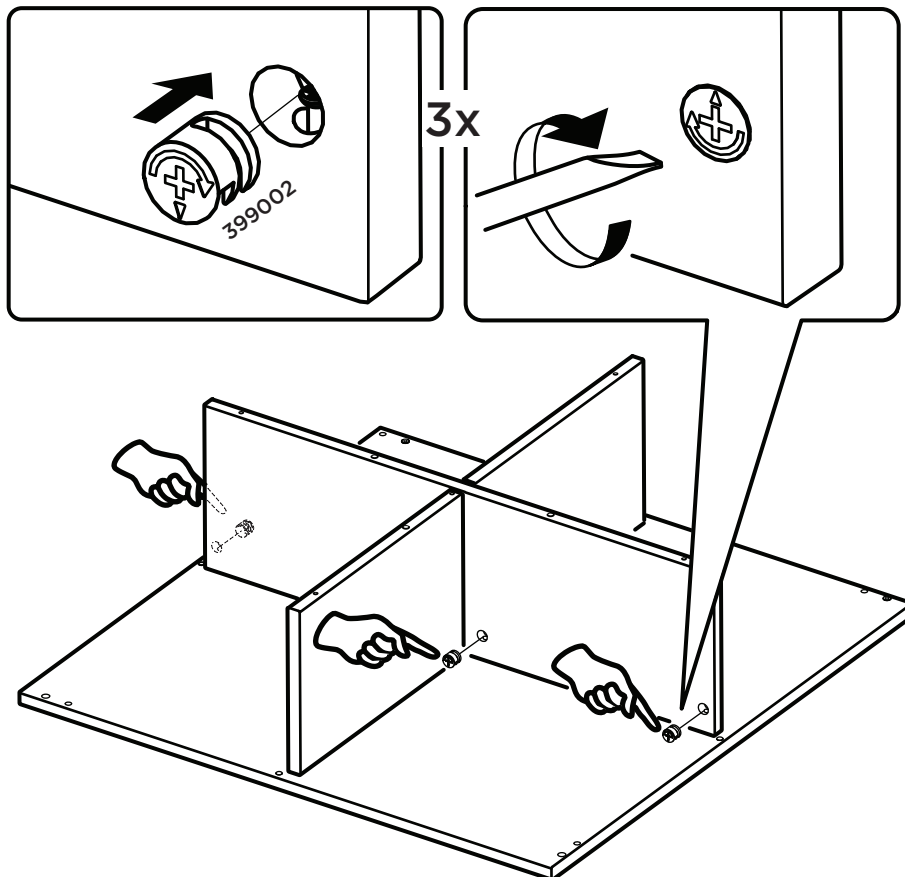
8



9

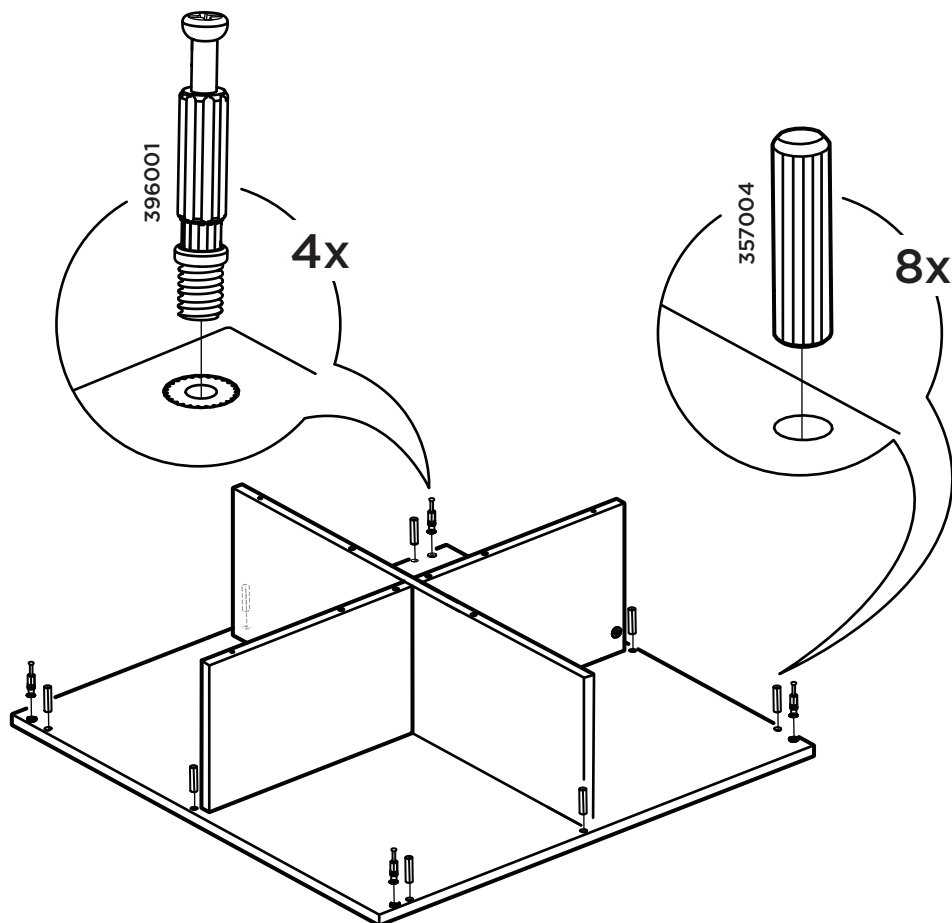


10

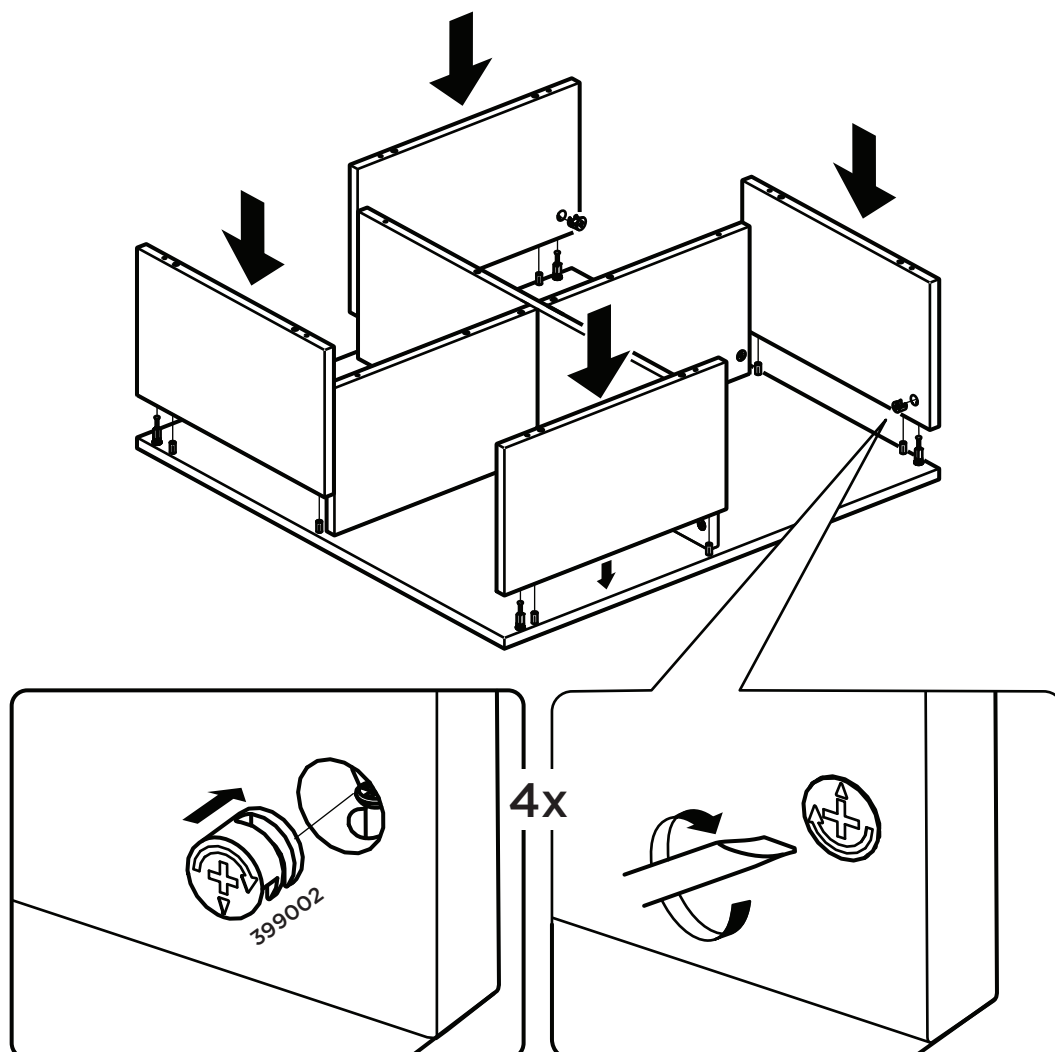




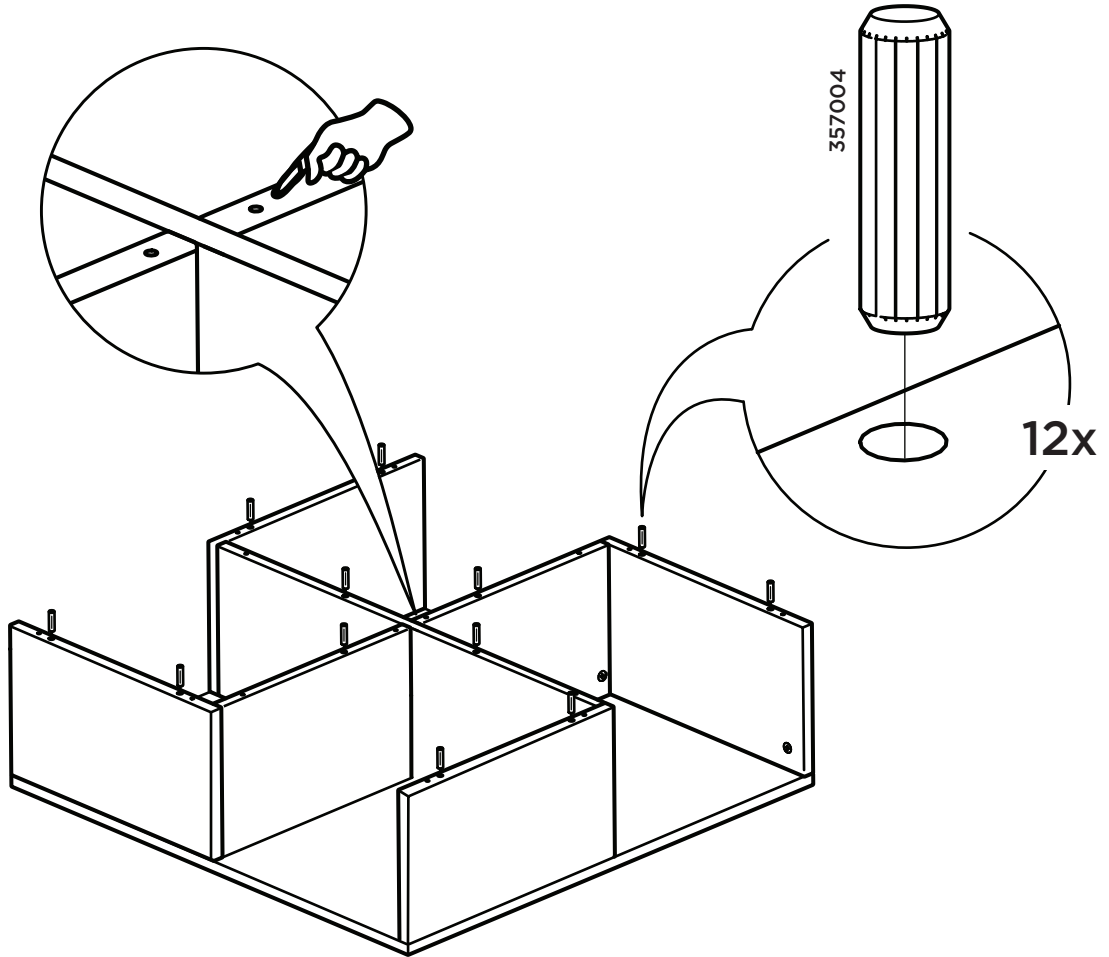
11



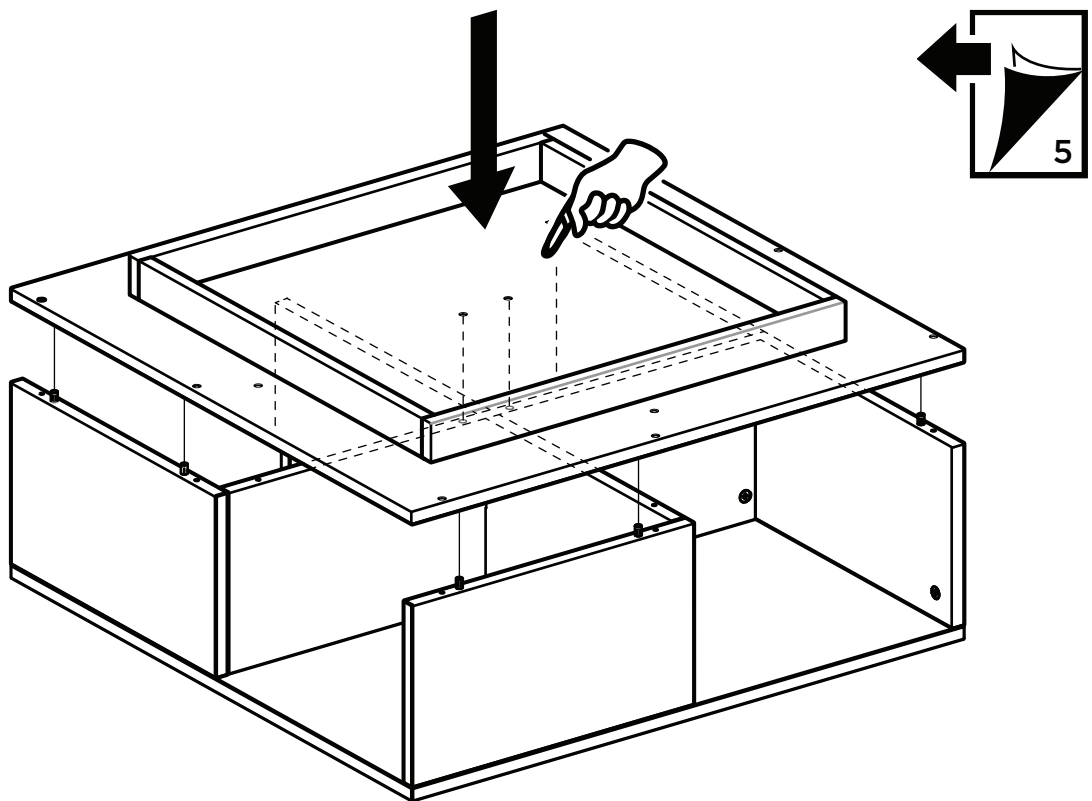
12



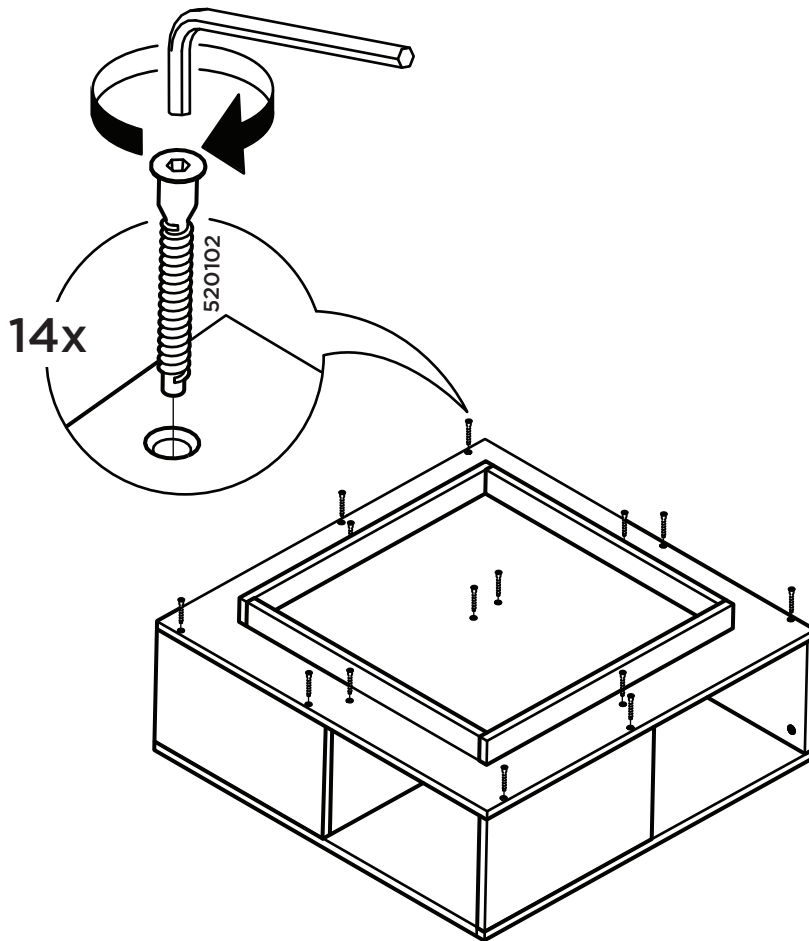
13



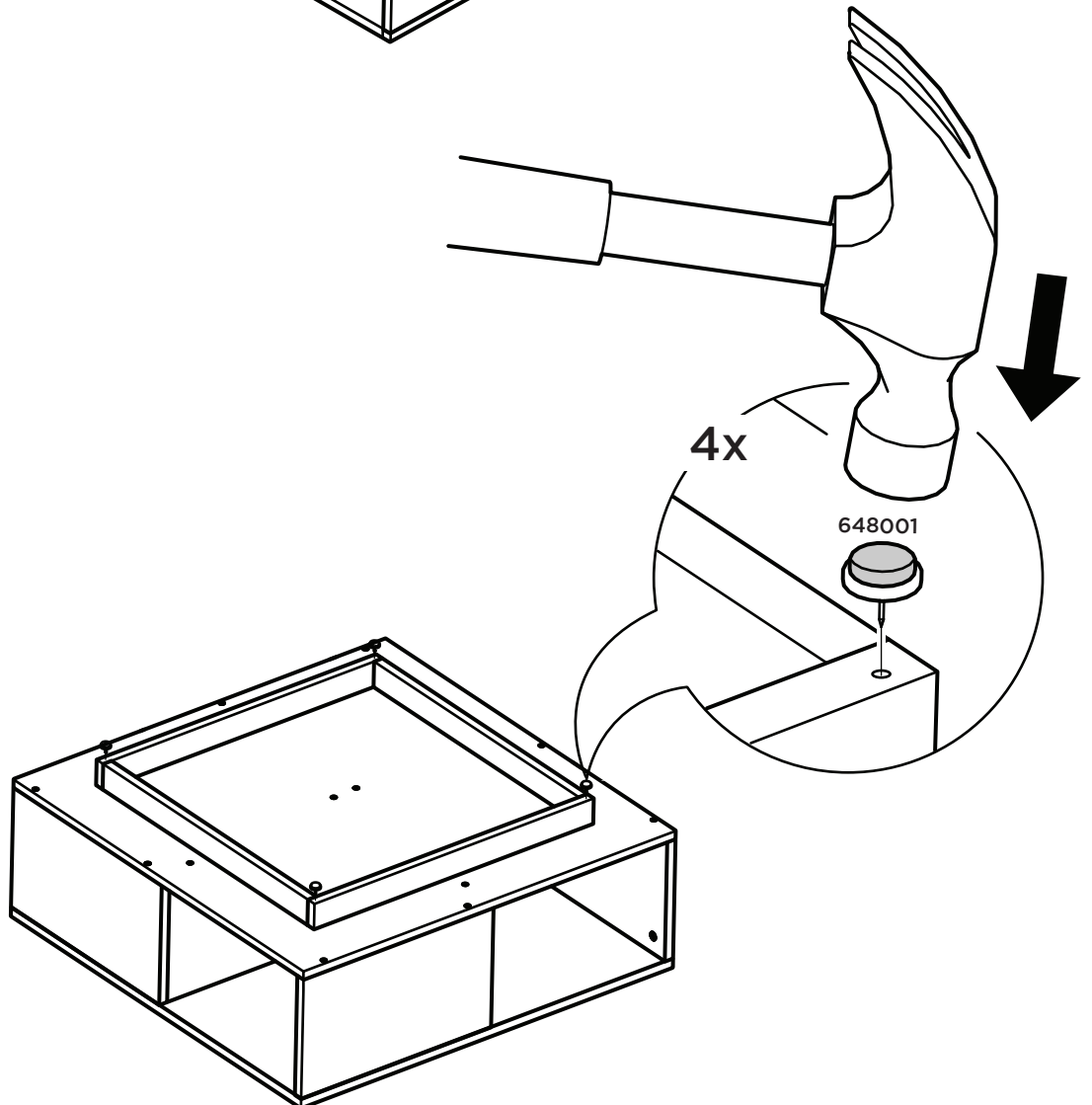
14



15



16



**metercube**