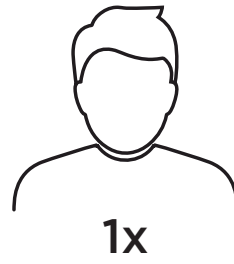
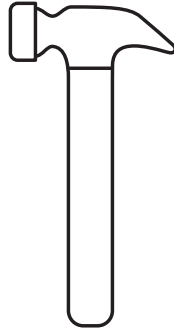
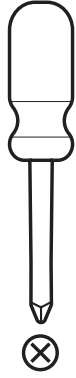


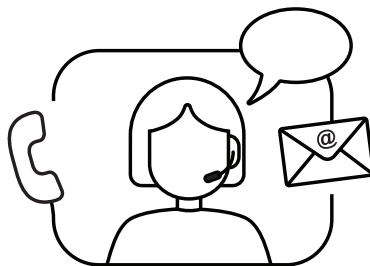
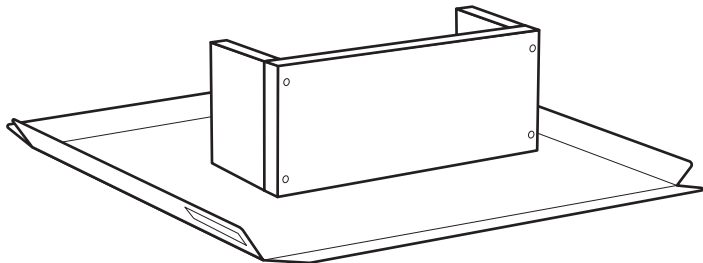
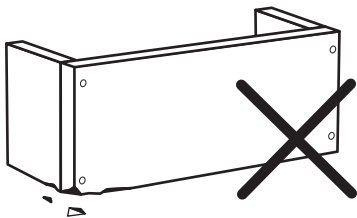
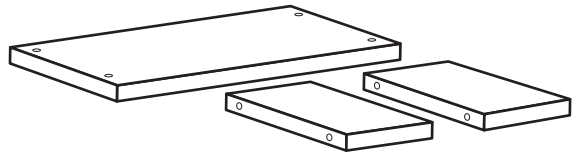
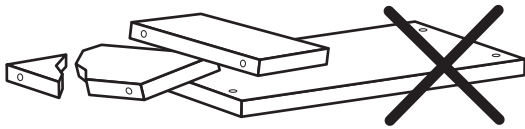
witi

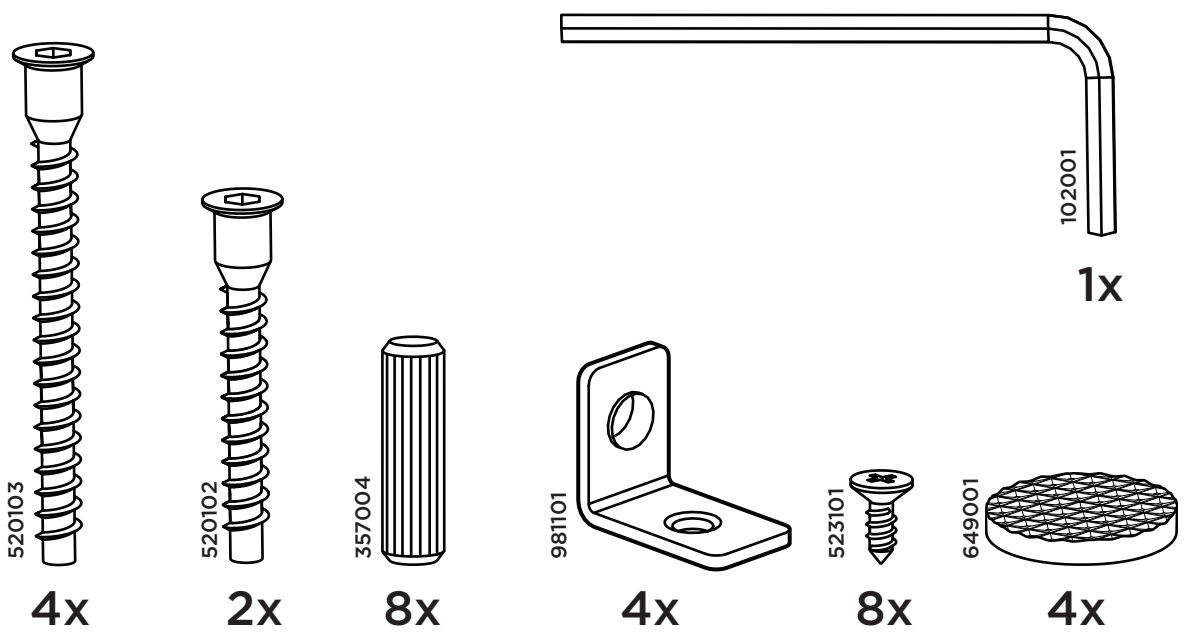
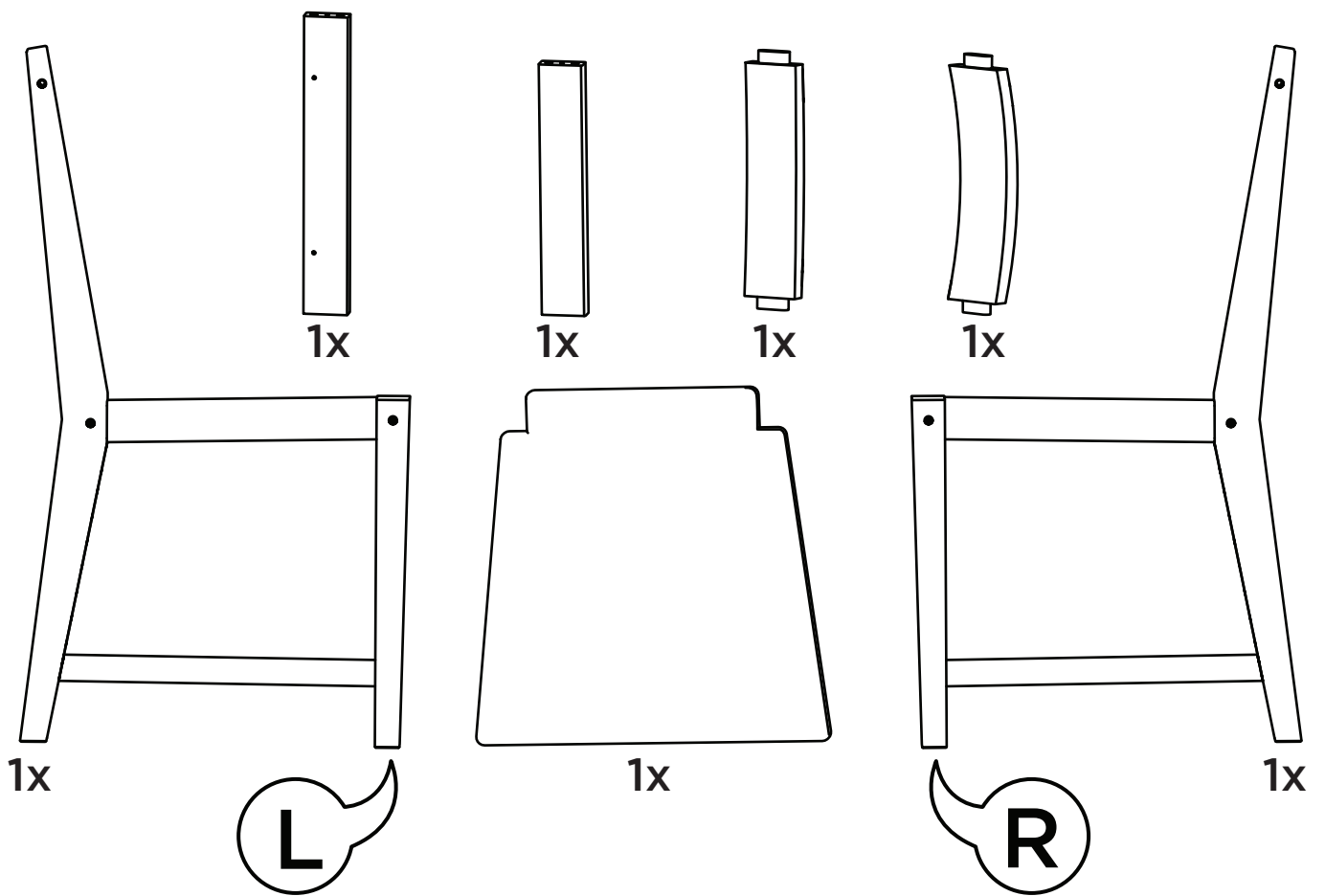
103.004.01
103.004.02

metercube

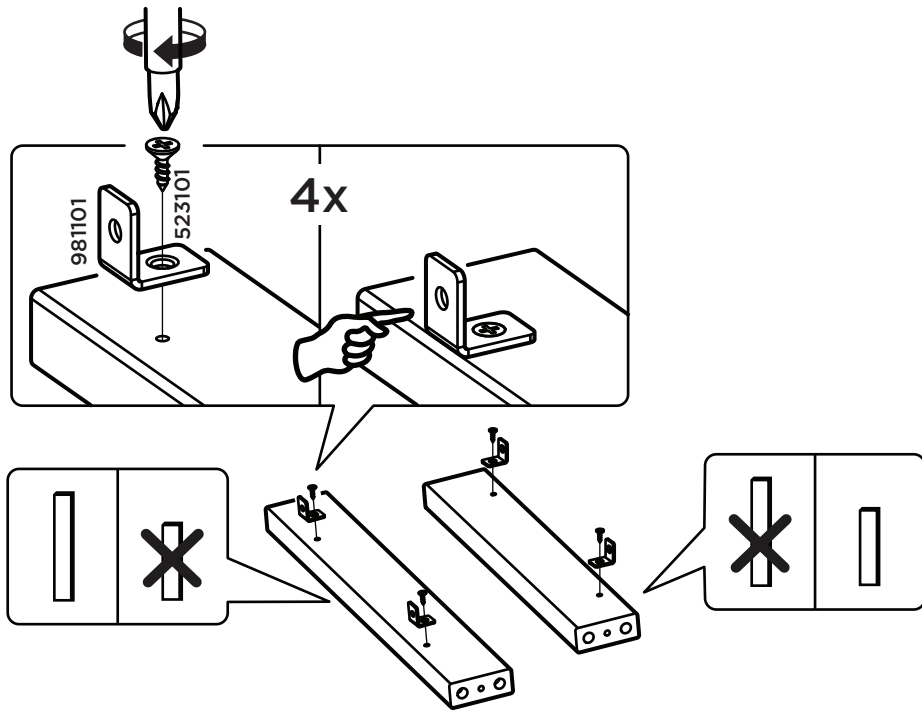


1x

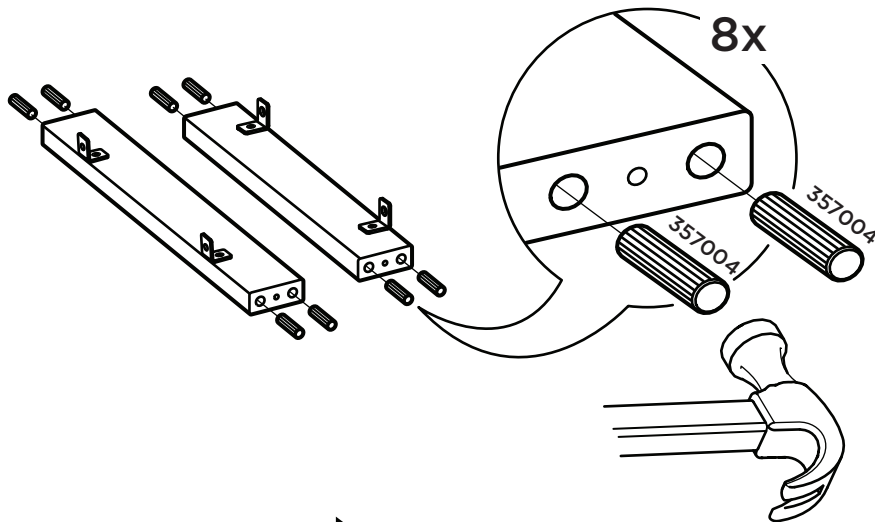




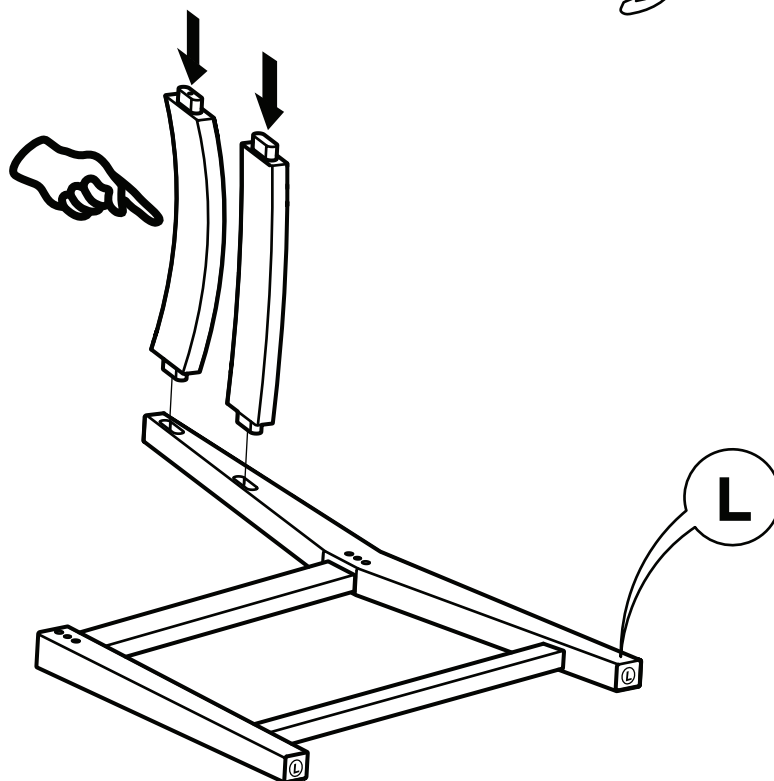
1



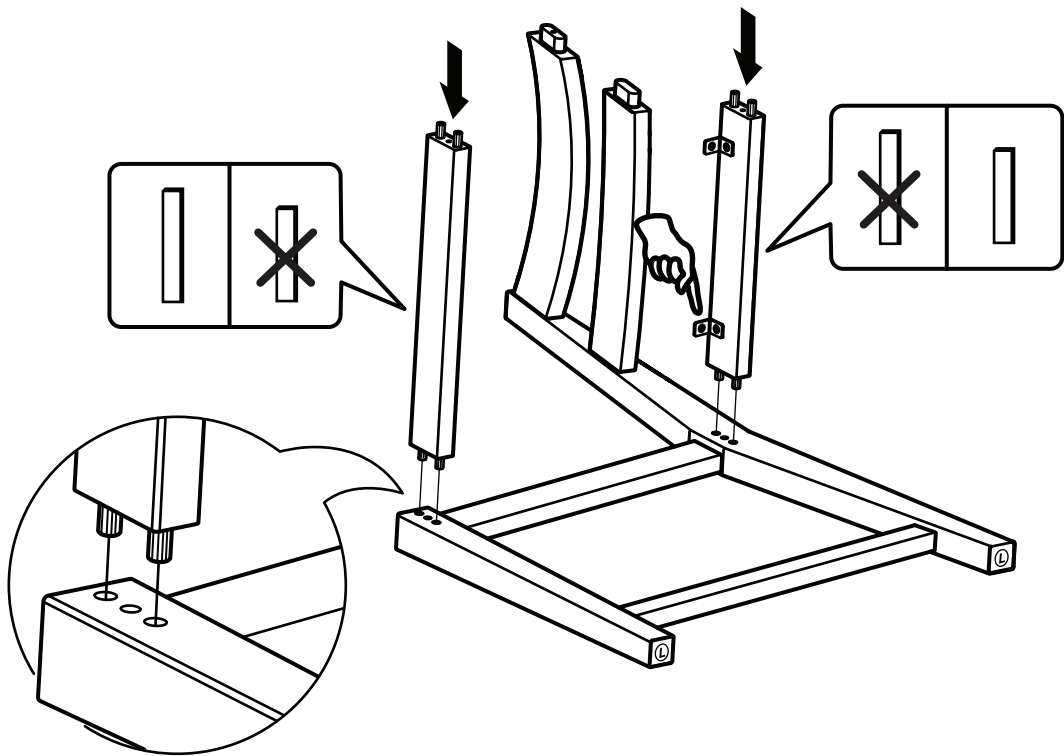
2



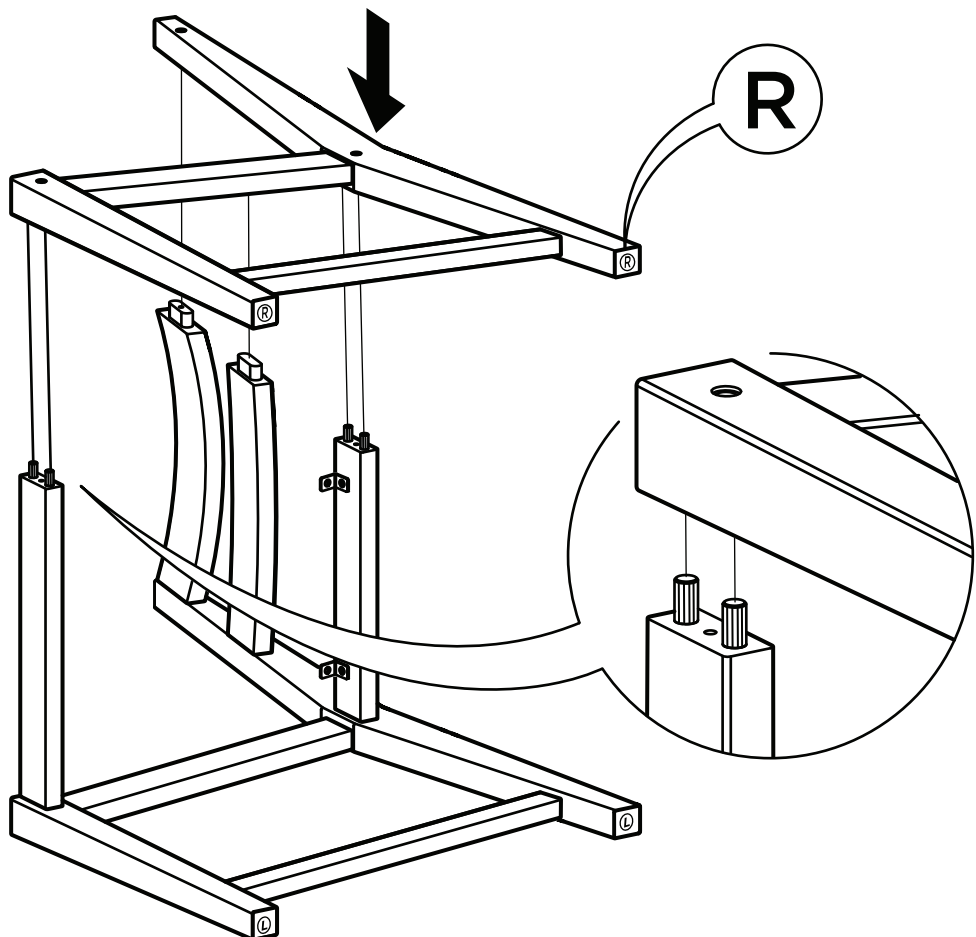
3



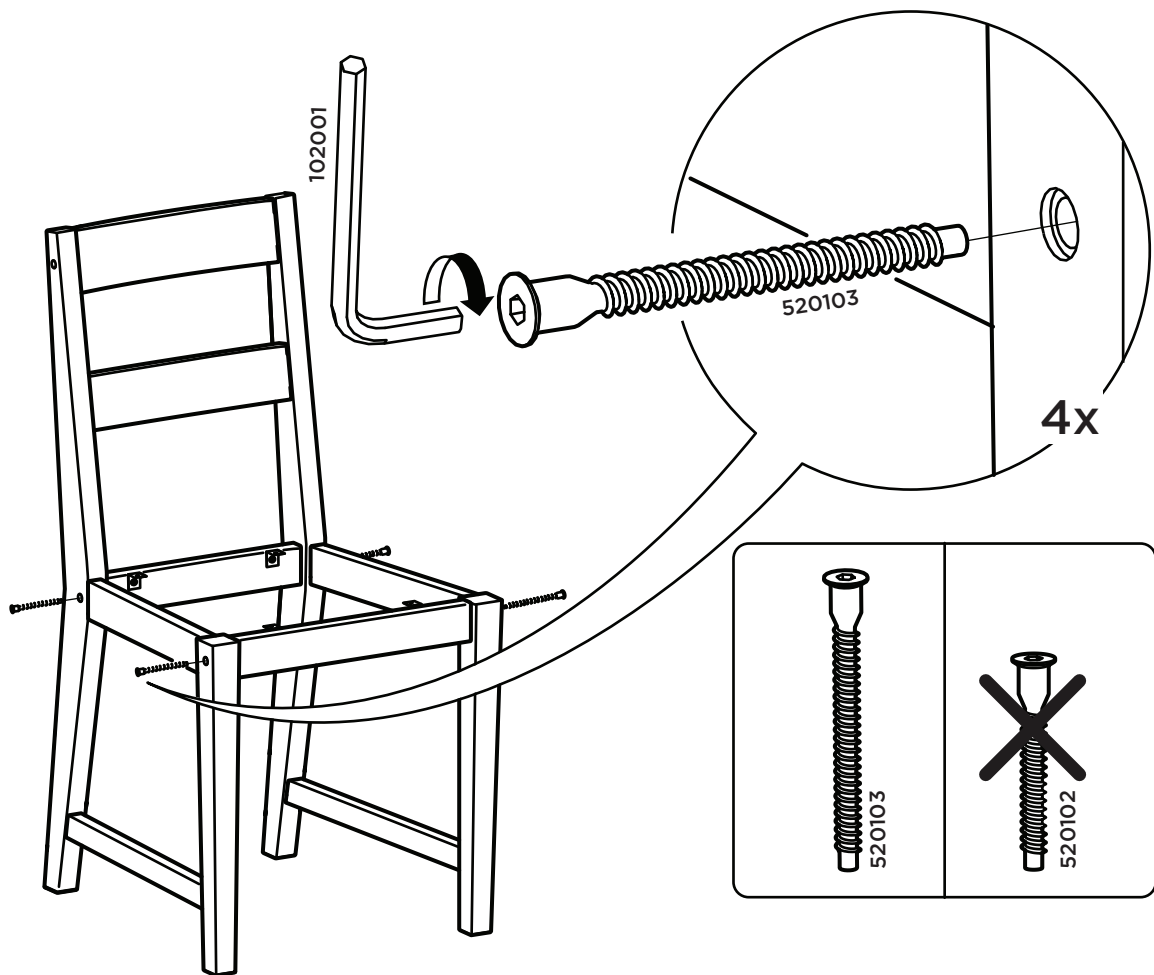
4



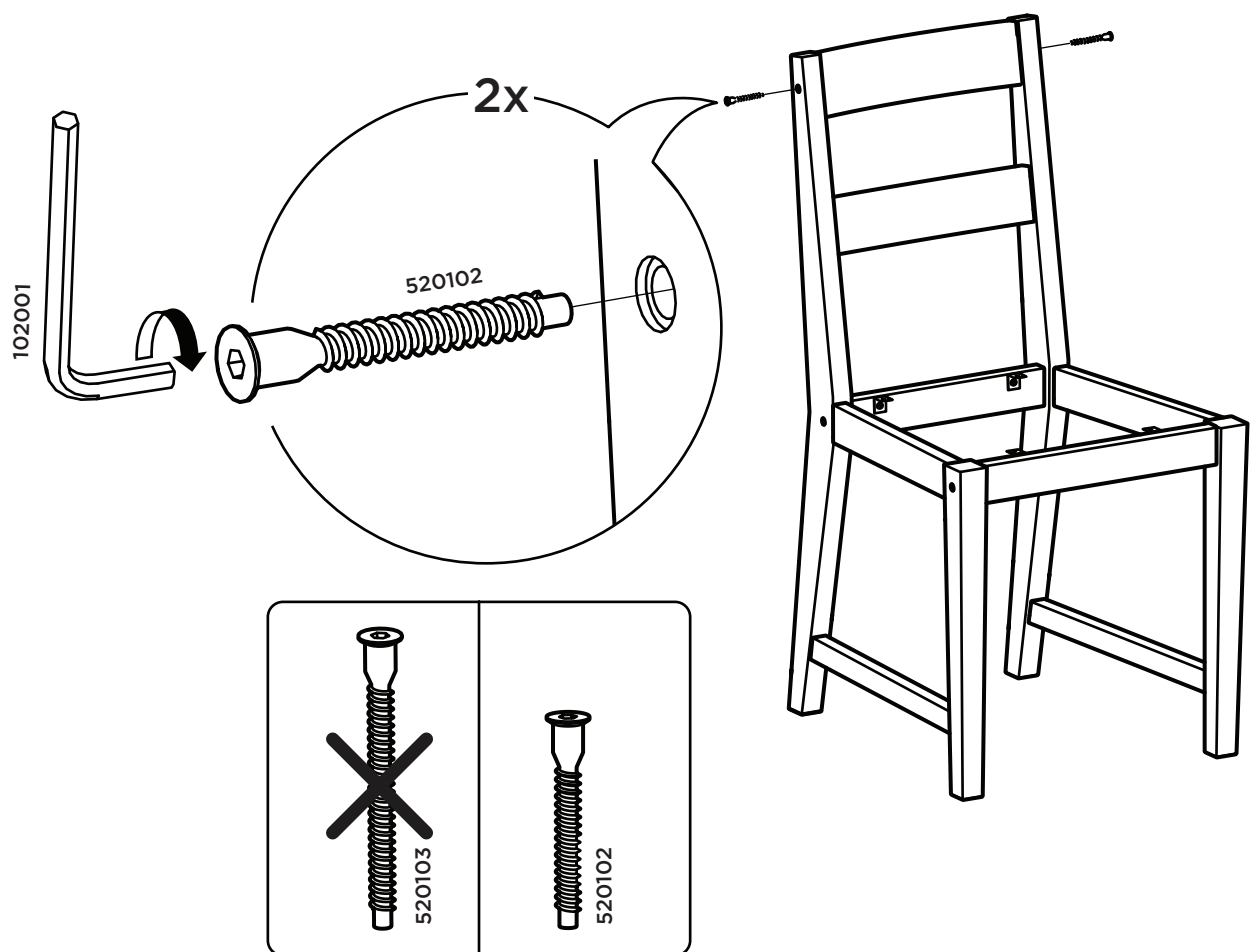
5



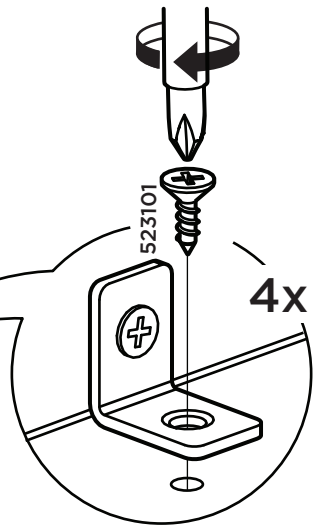
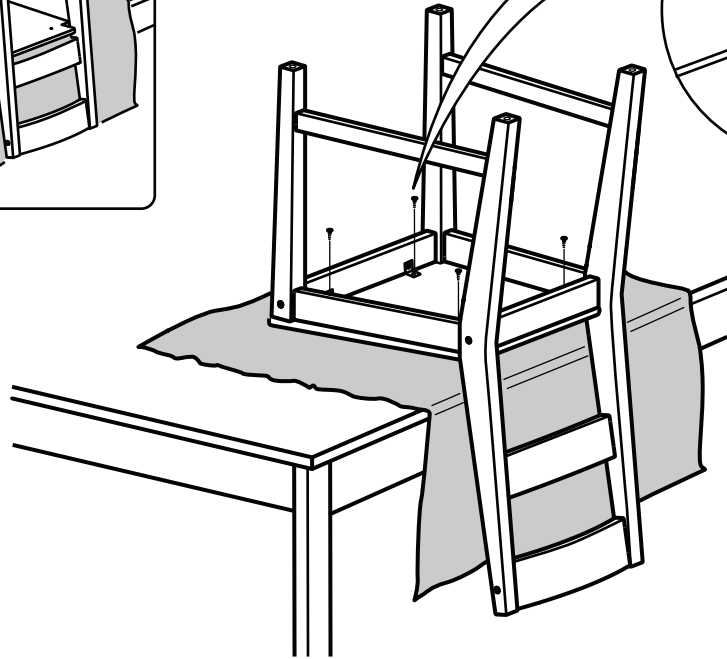
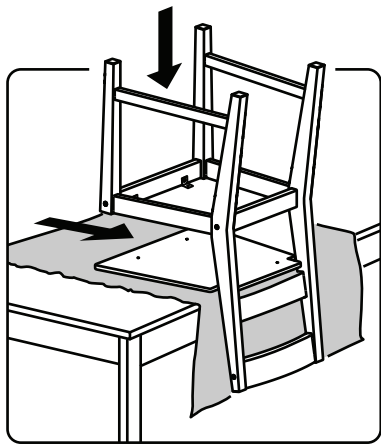
6



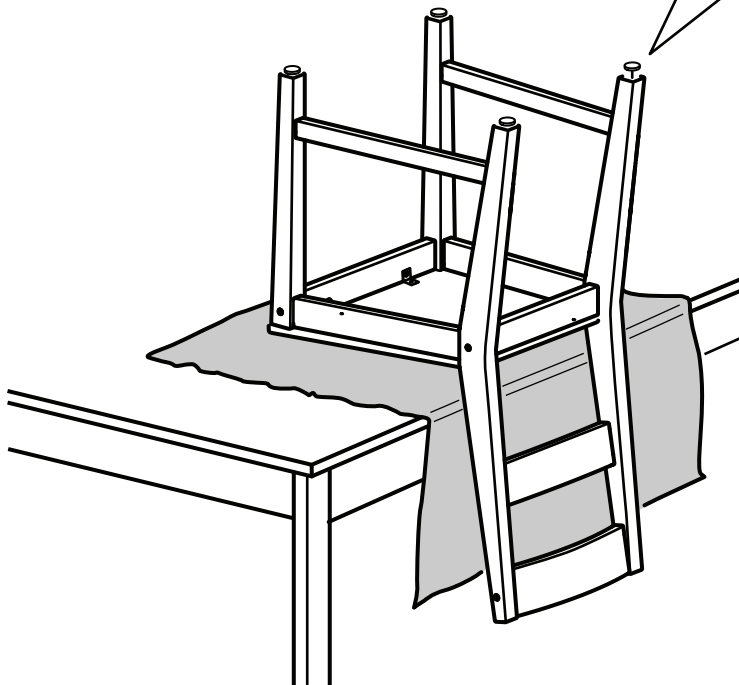
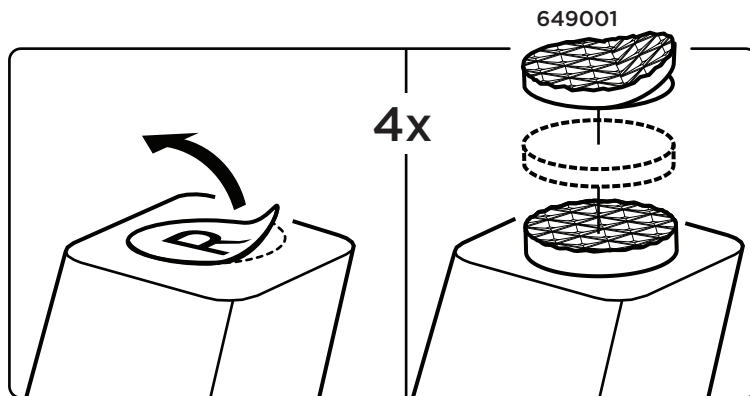
7



8



9



metercube