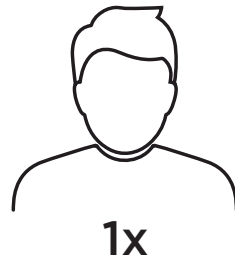
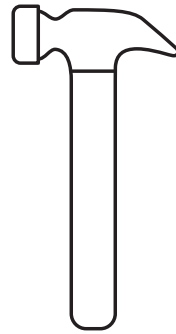


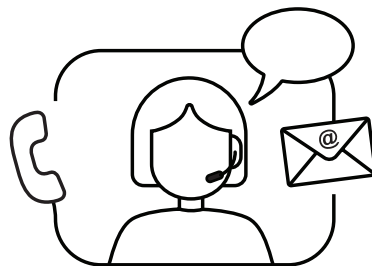
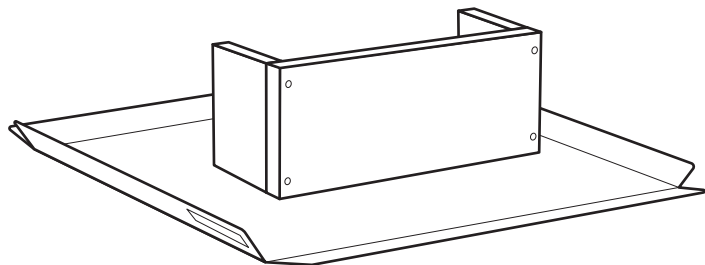
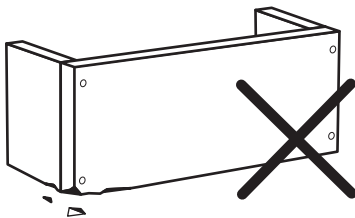
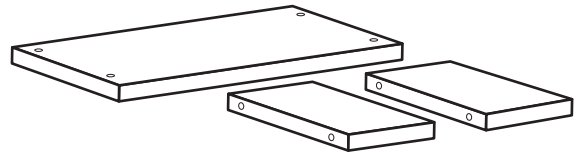
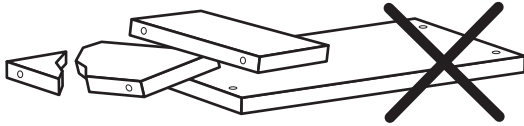
riza

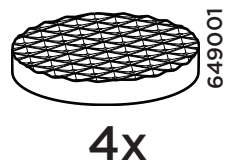
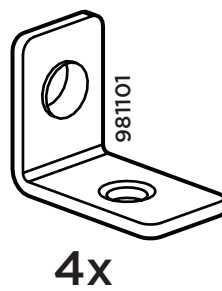
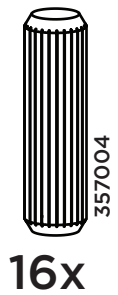
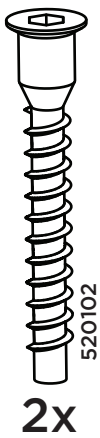
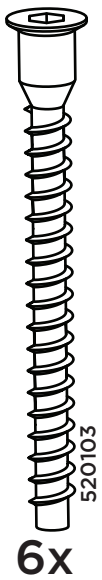
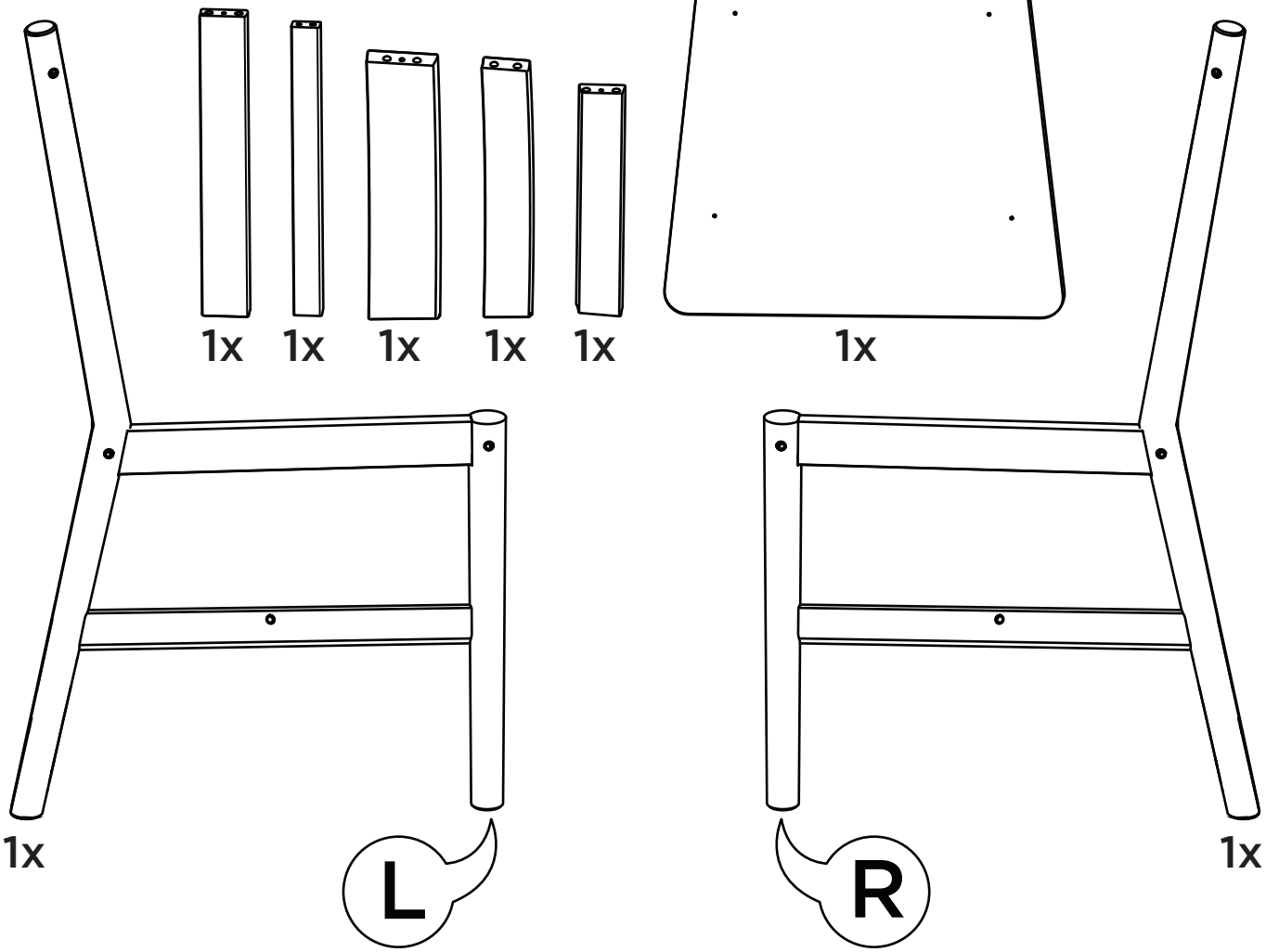
103.008.01
103.008.02

metercube

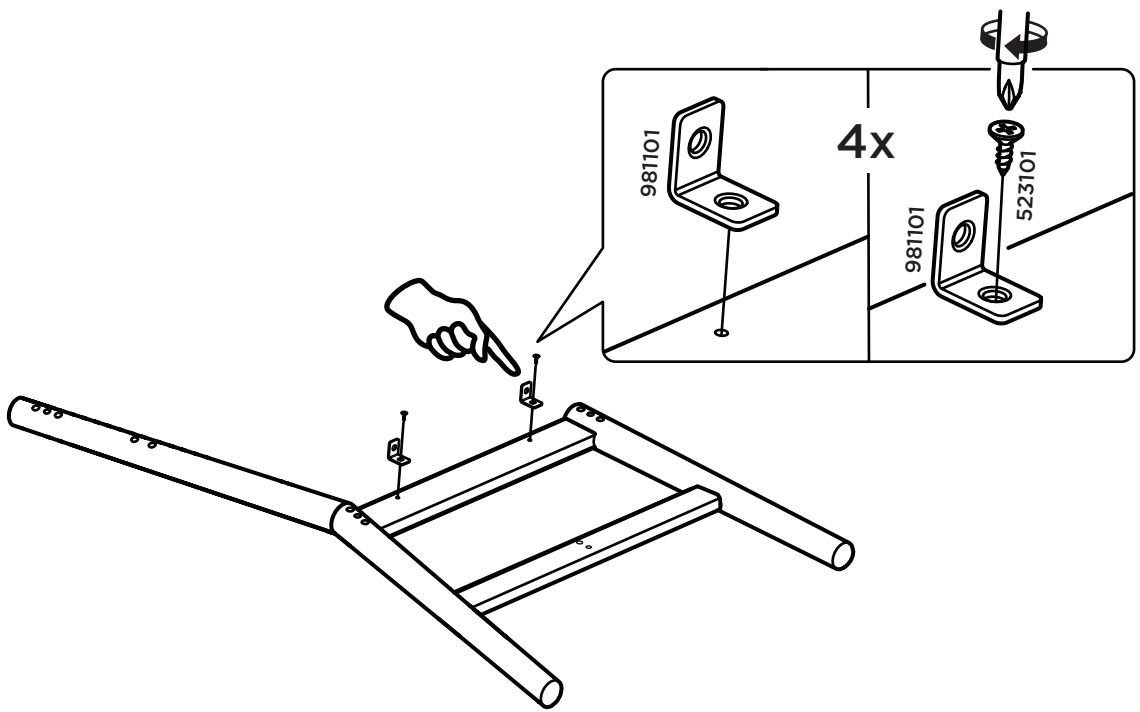


1x

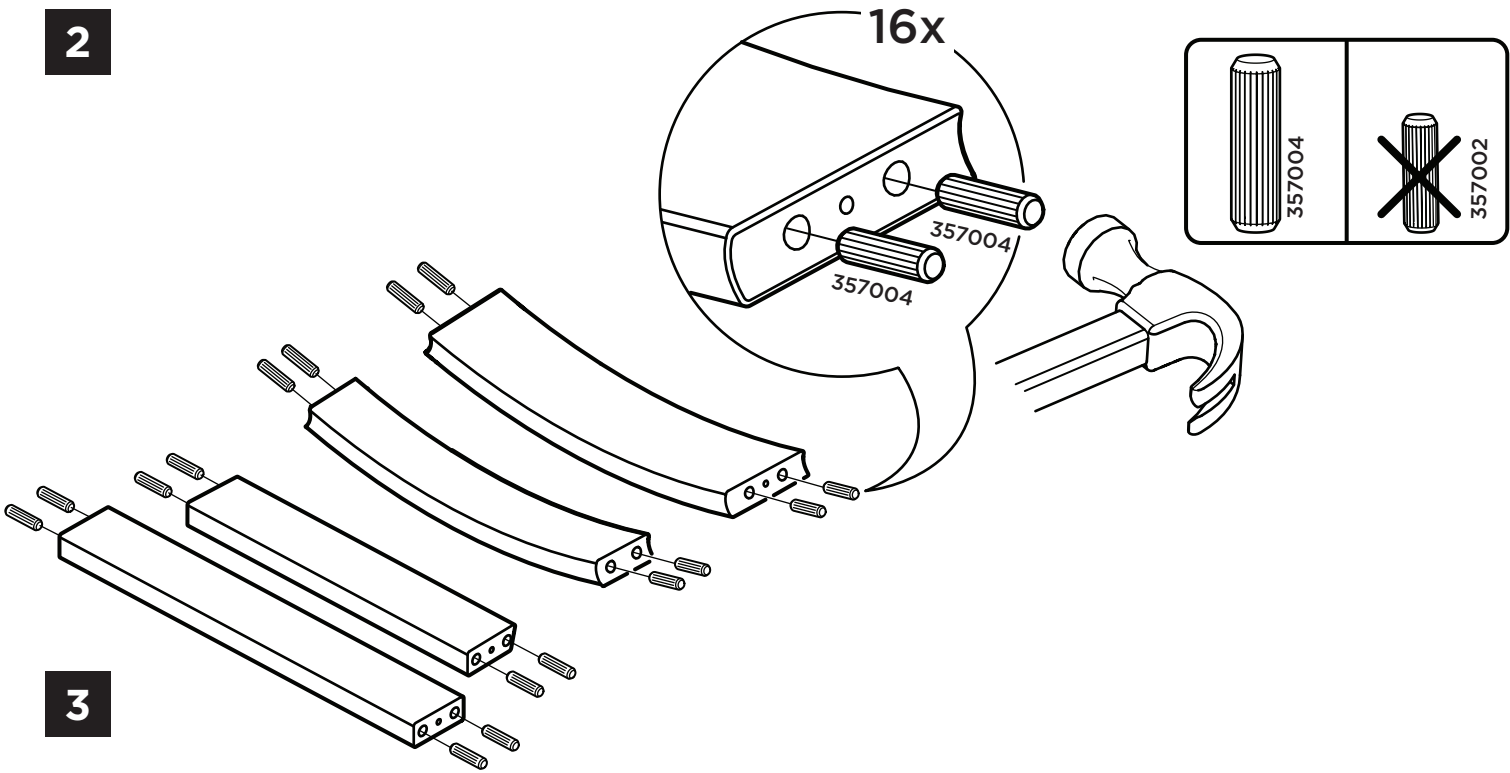




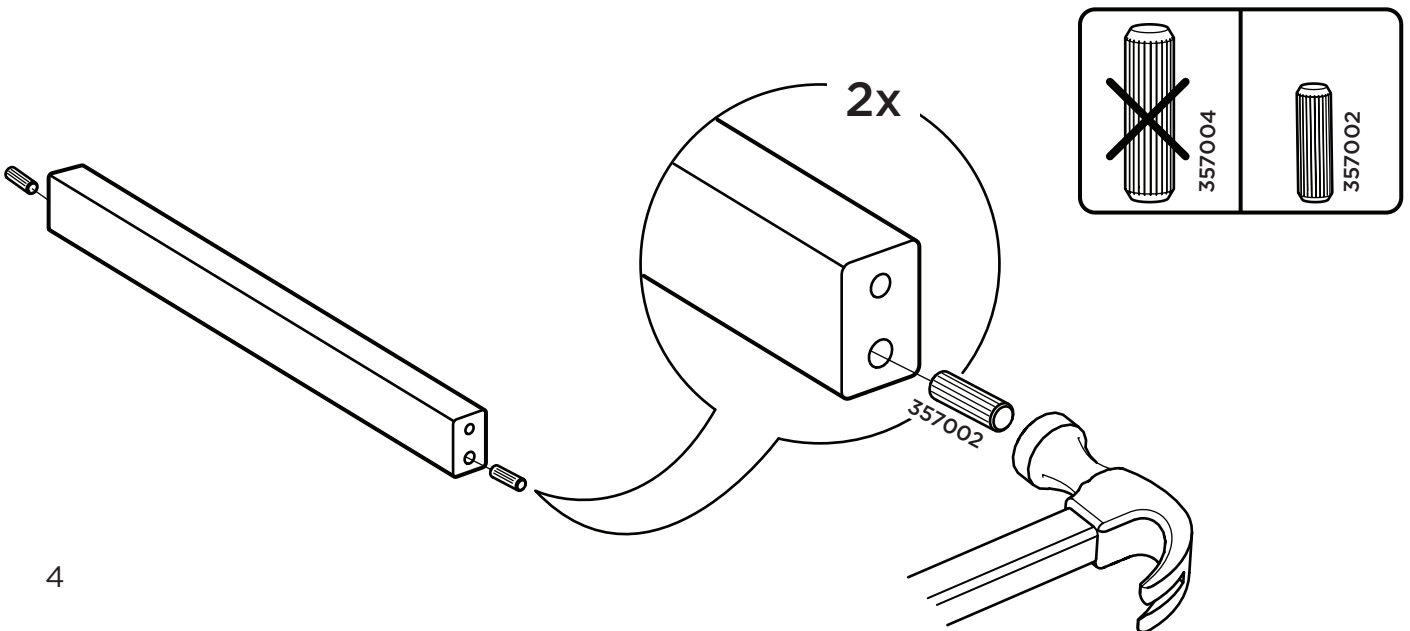
1



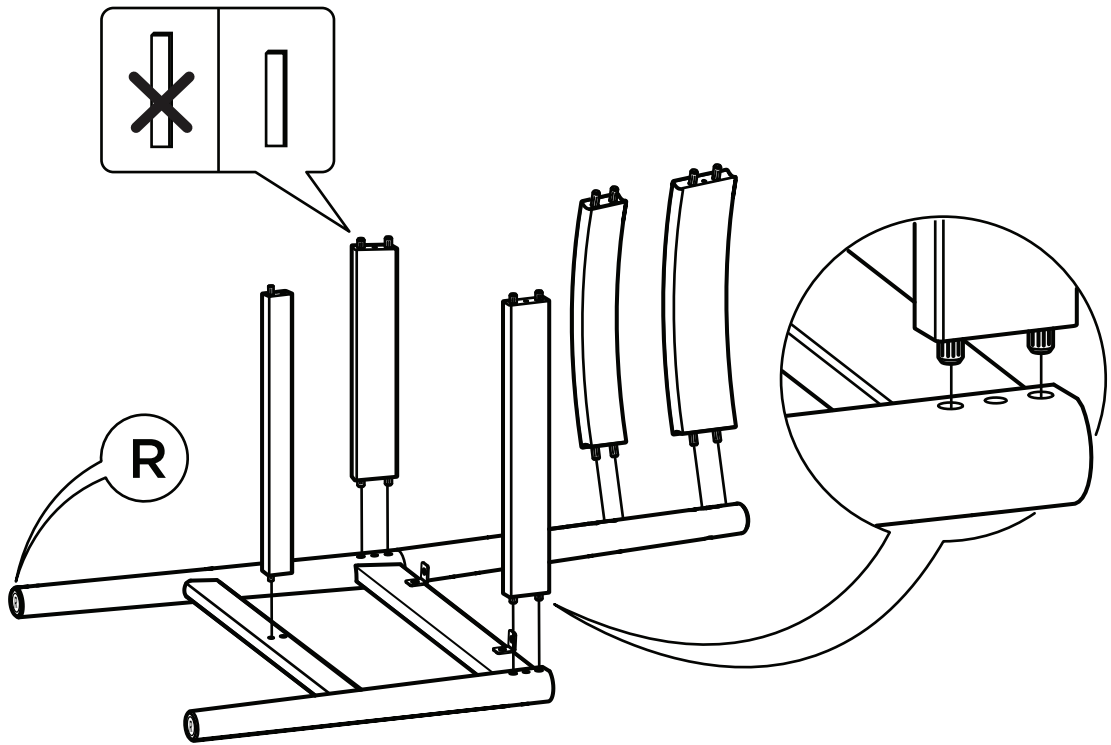
2



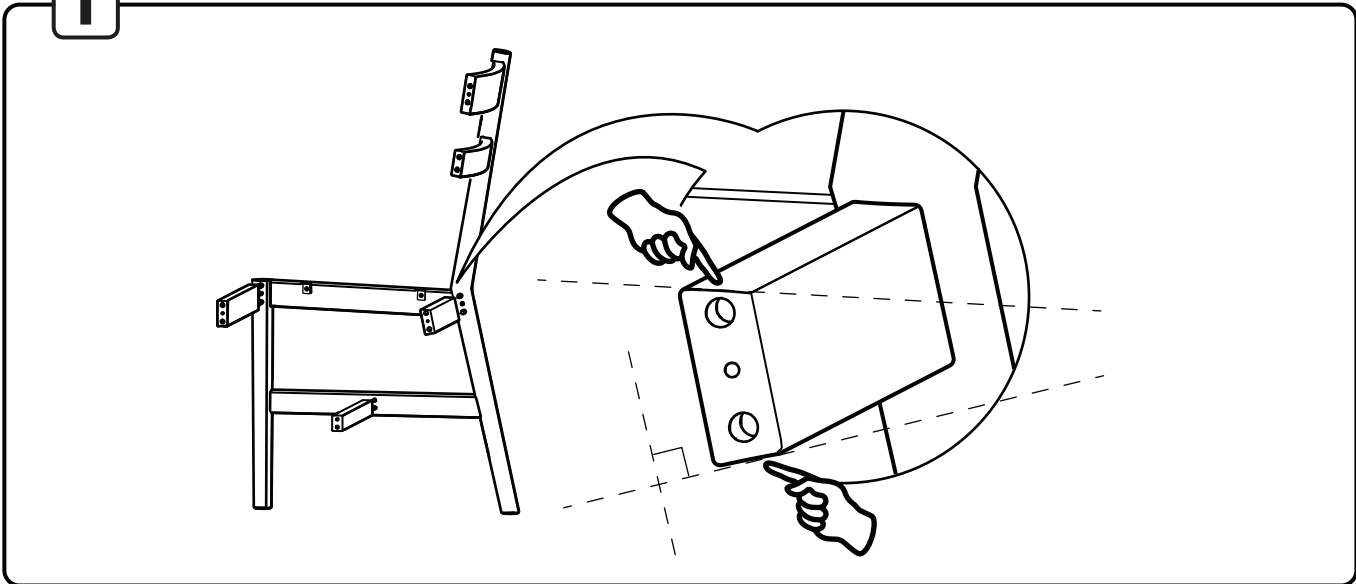
3



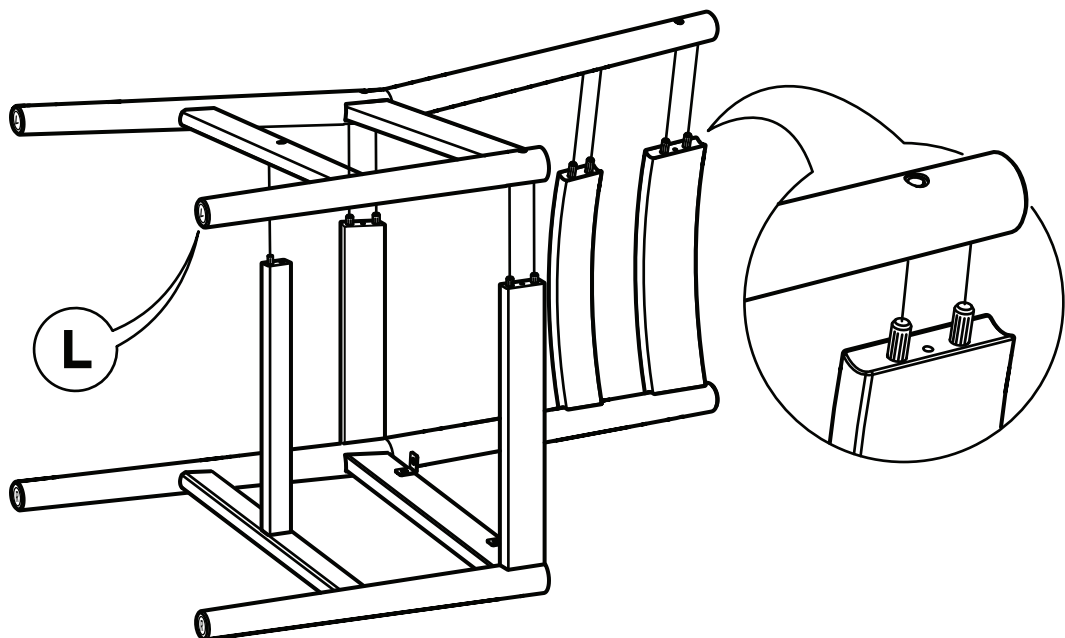
4



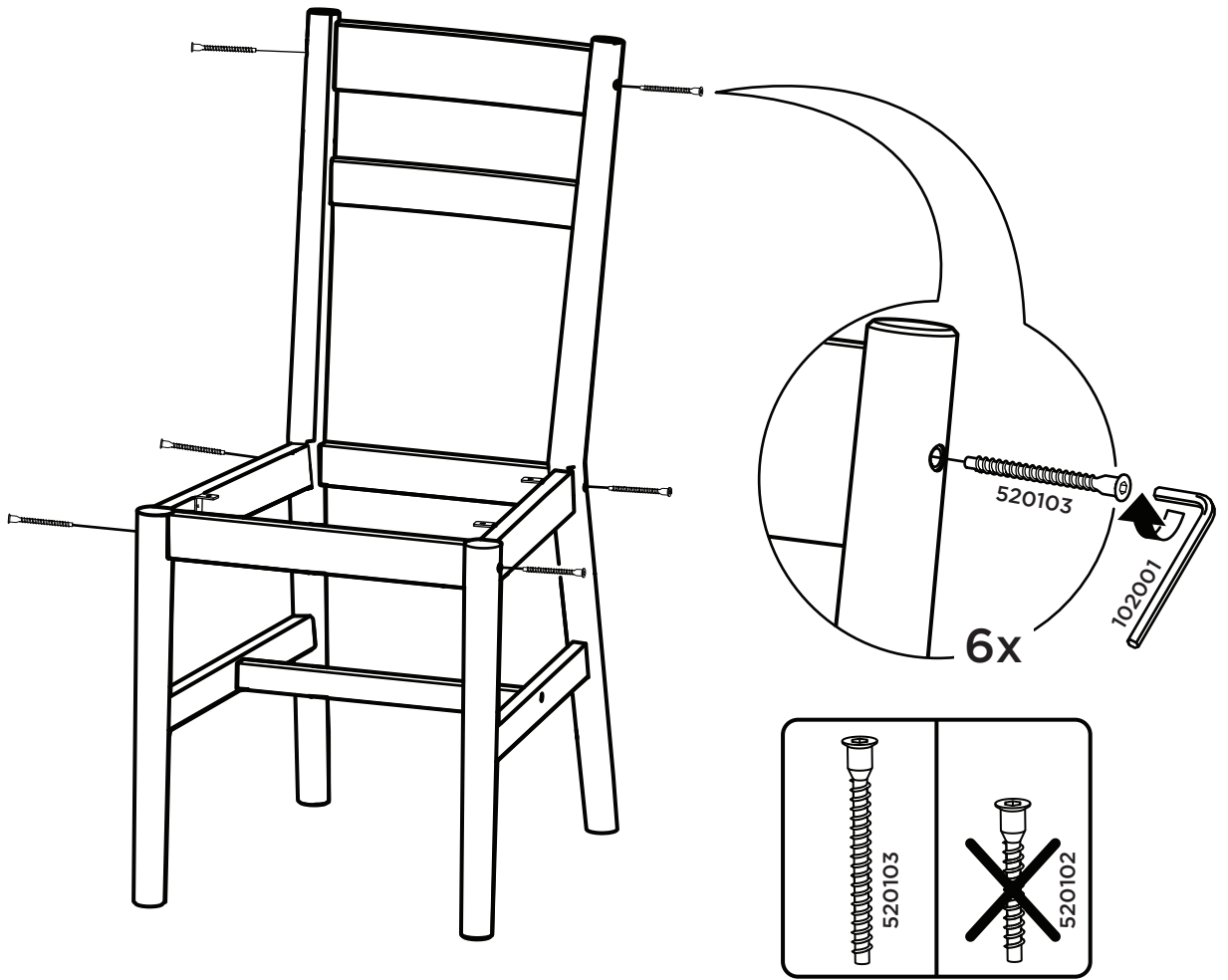
i



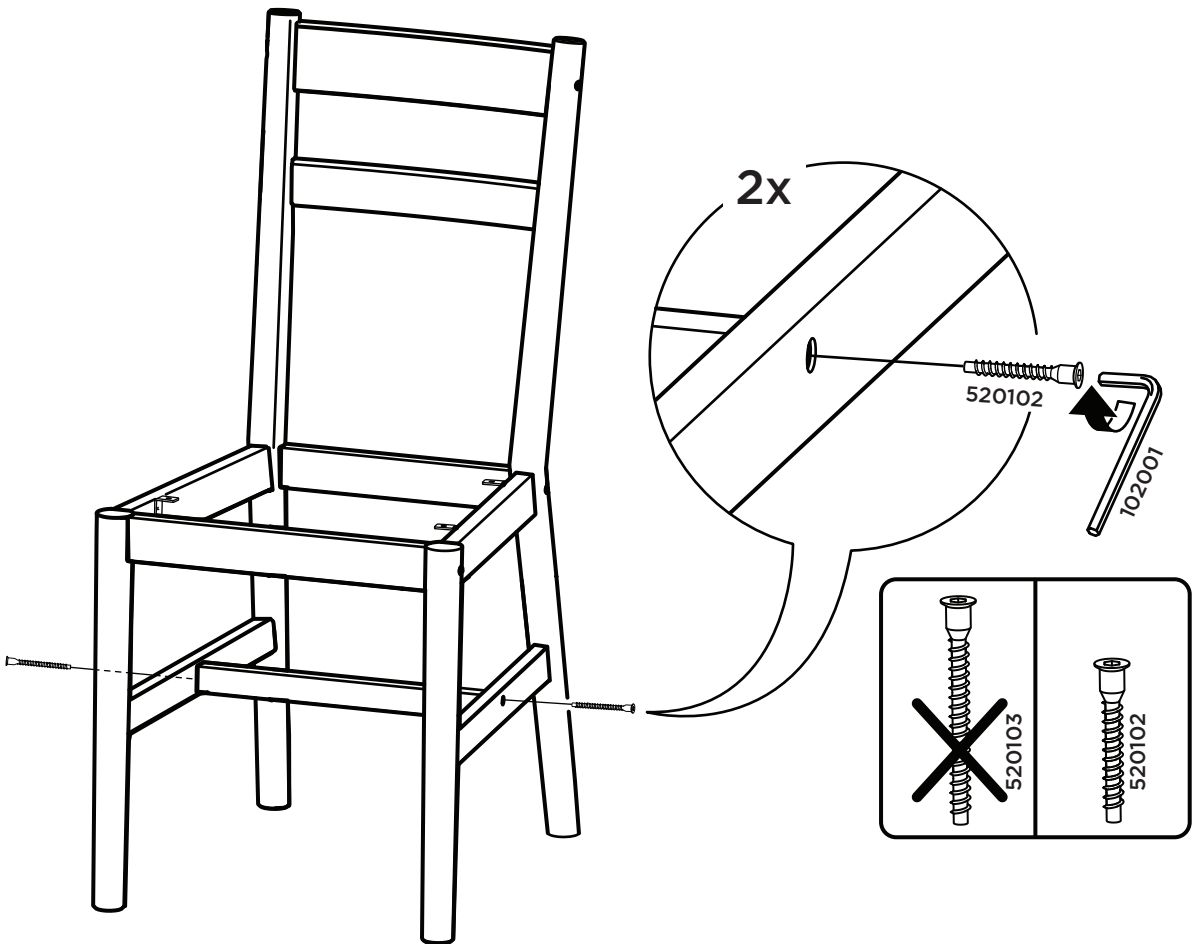
5



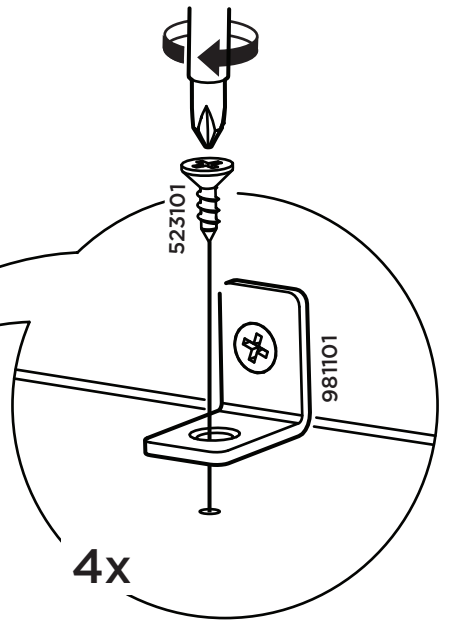
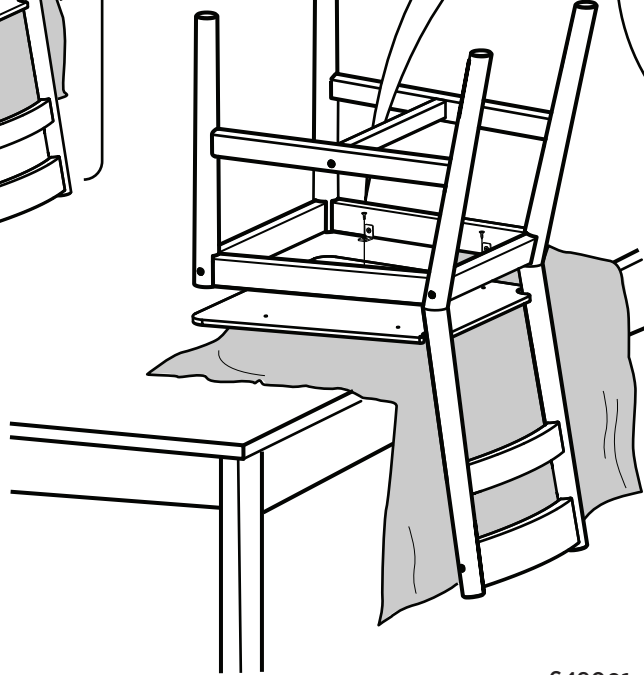
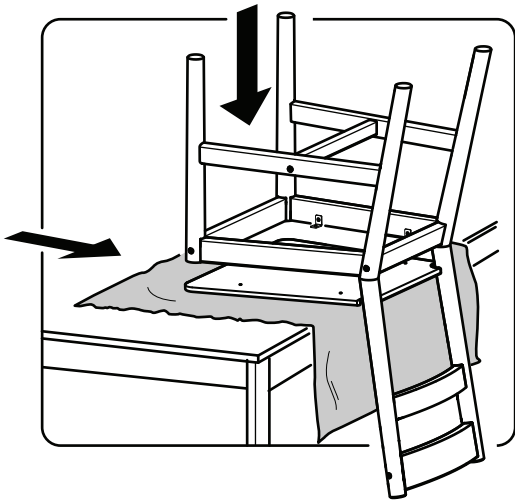
6



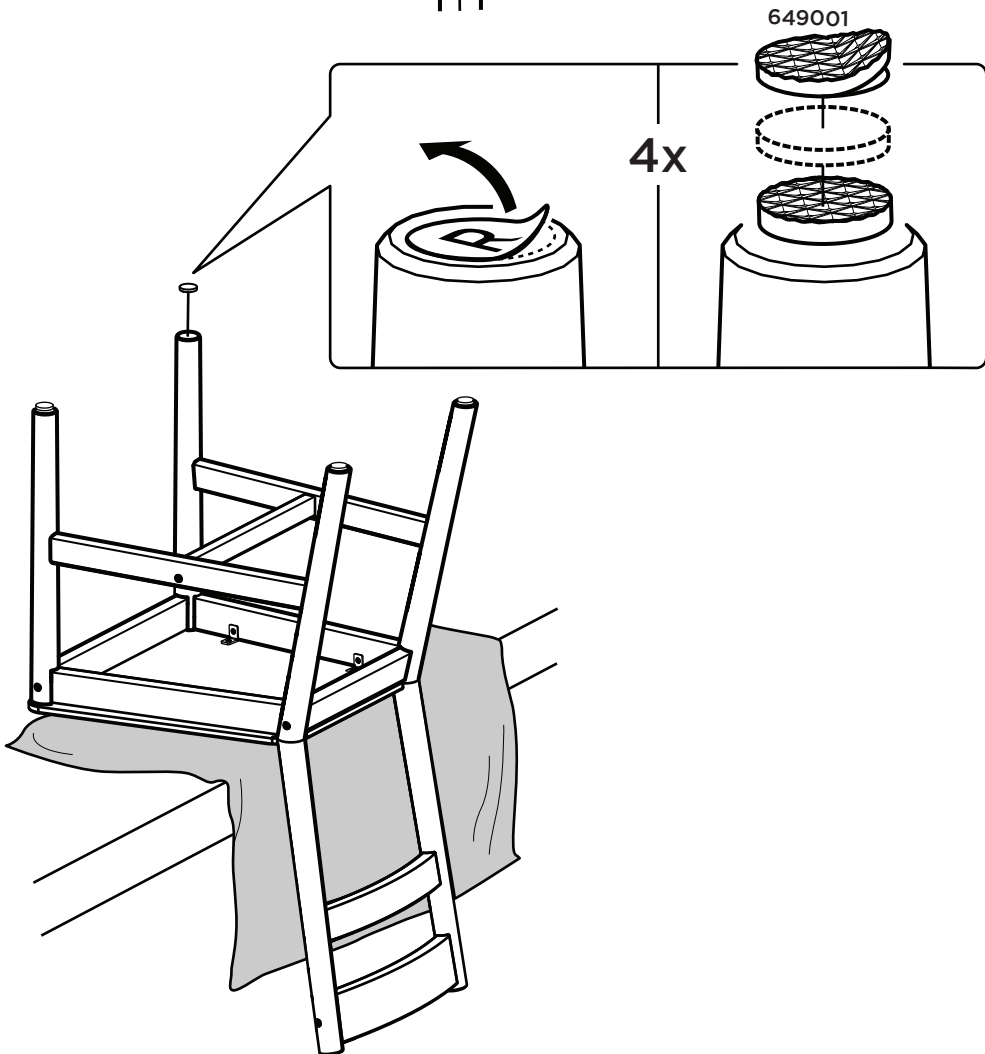
7



8



9



metercube