

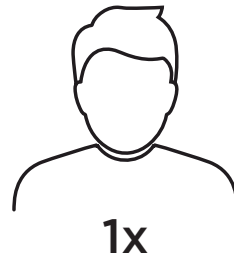
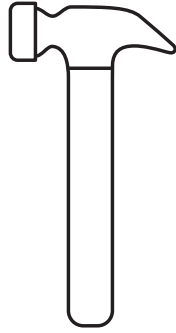
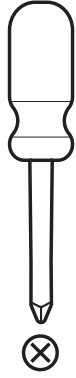
tarwe

103.012.01

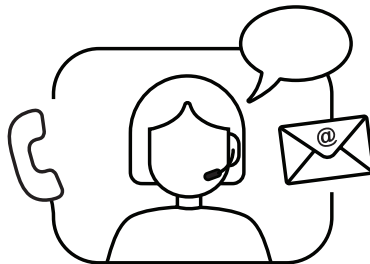
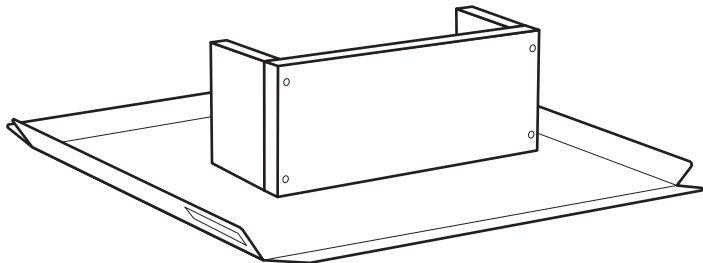
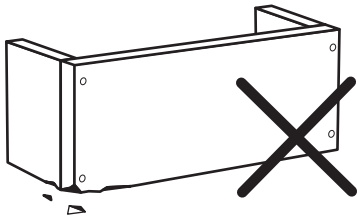
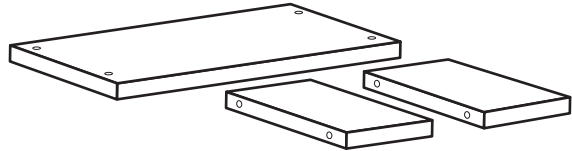
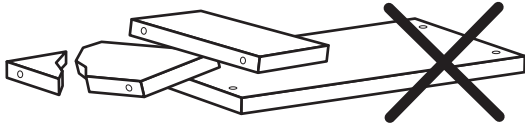
103.012.02

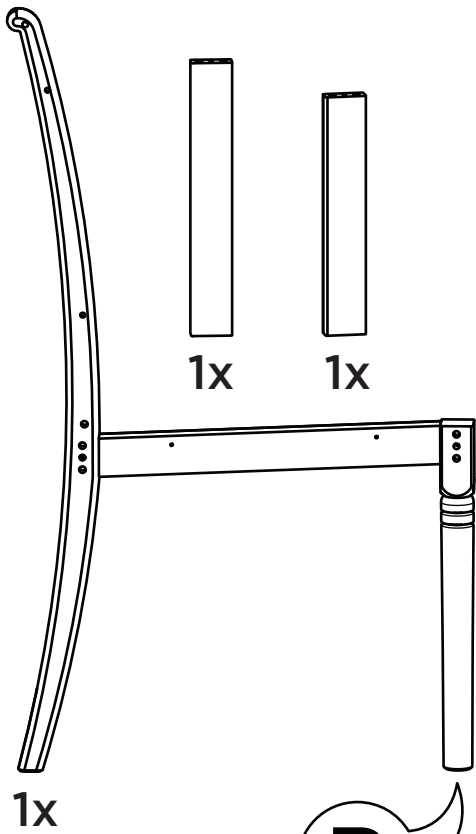
103.012.03

103.012.04



1x





1x

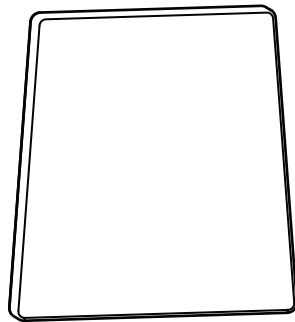
1x

1x

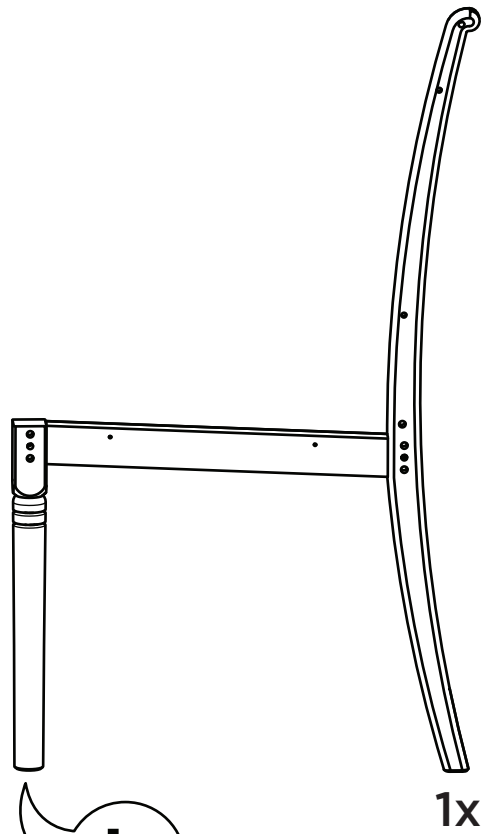
R



1x

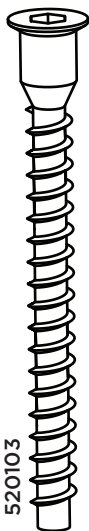


1x



1x

L



520103

6x



357004

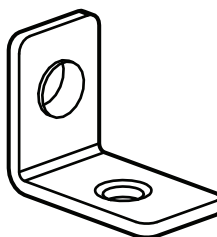
10x



357002

4x

981101



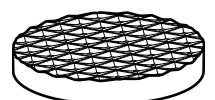
4x

523101



8x

649001



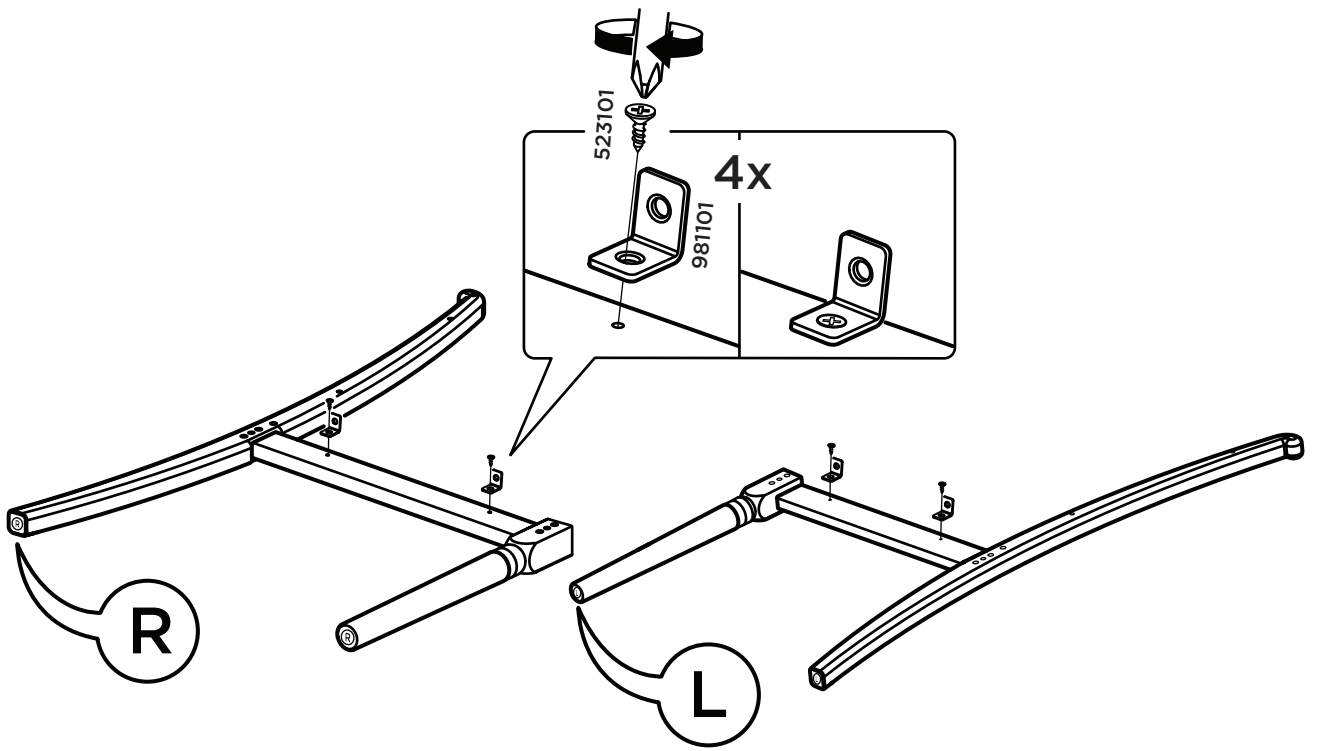
4x



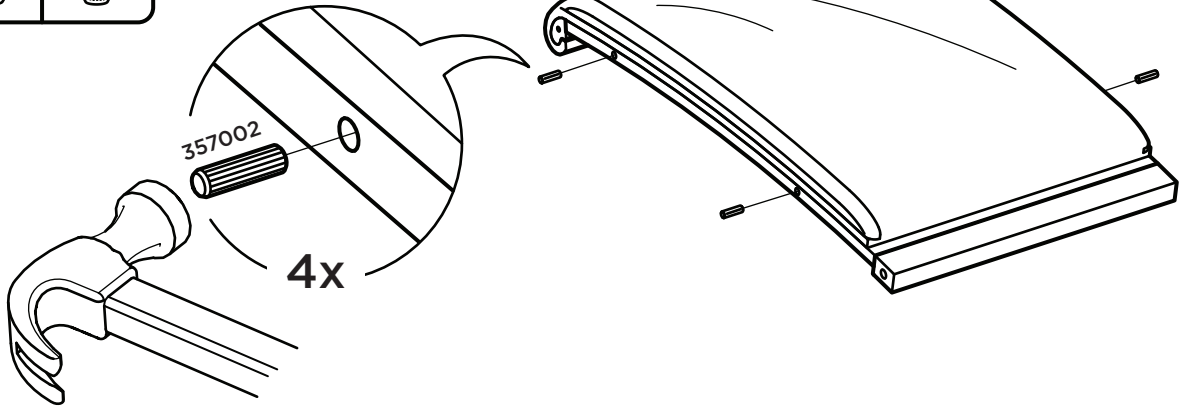
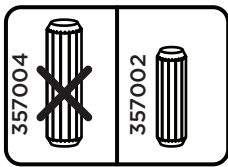
102001

1x

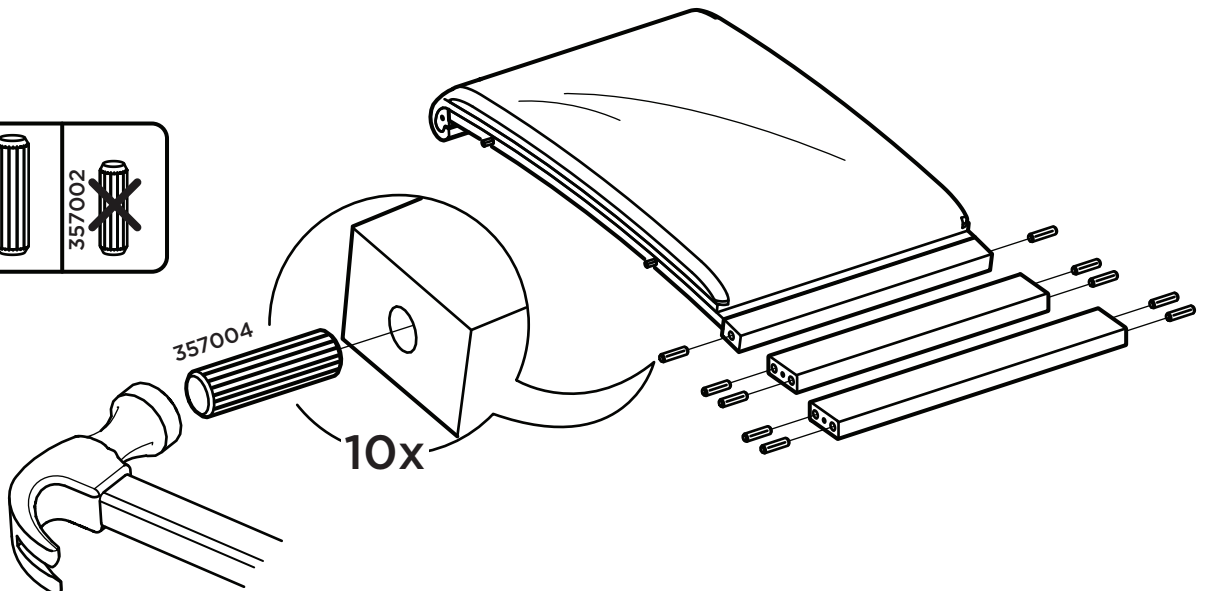
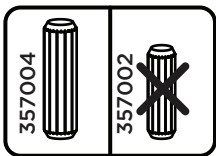
1



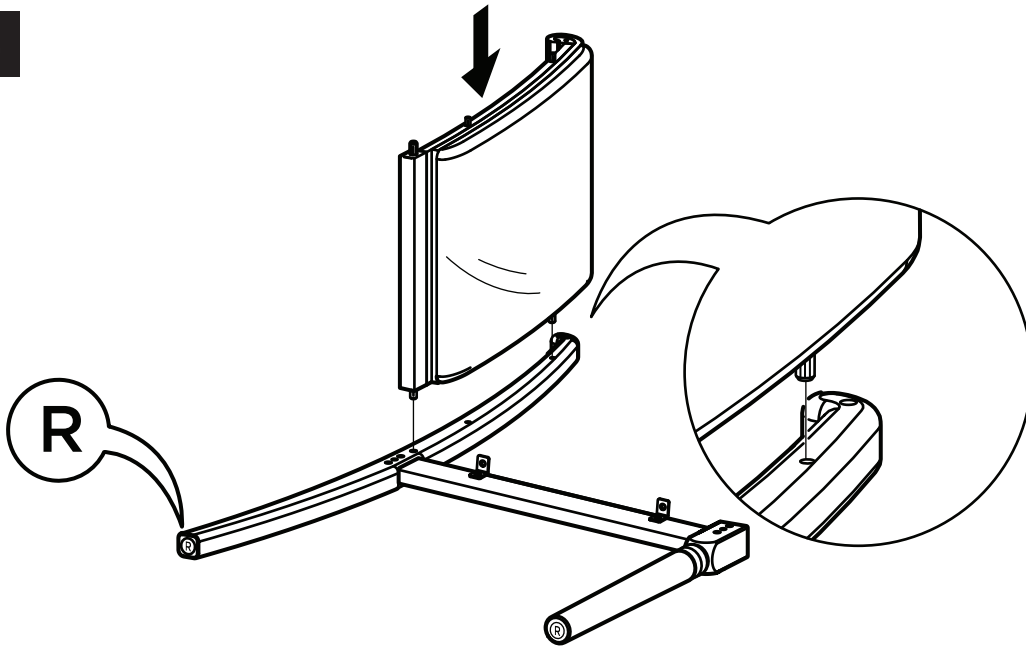
2



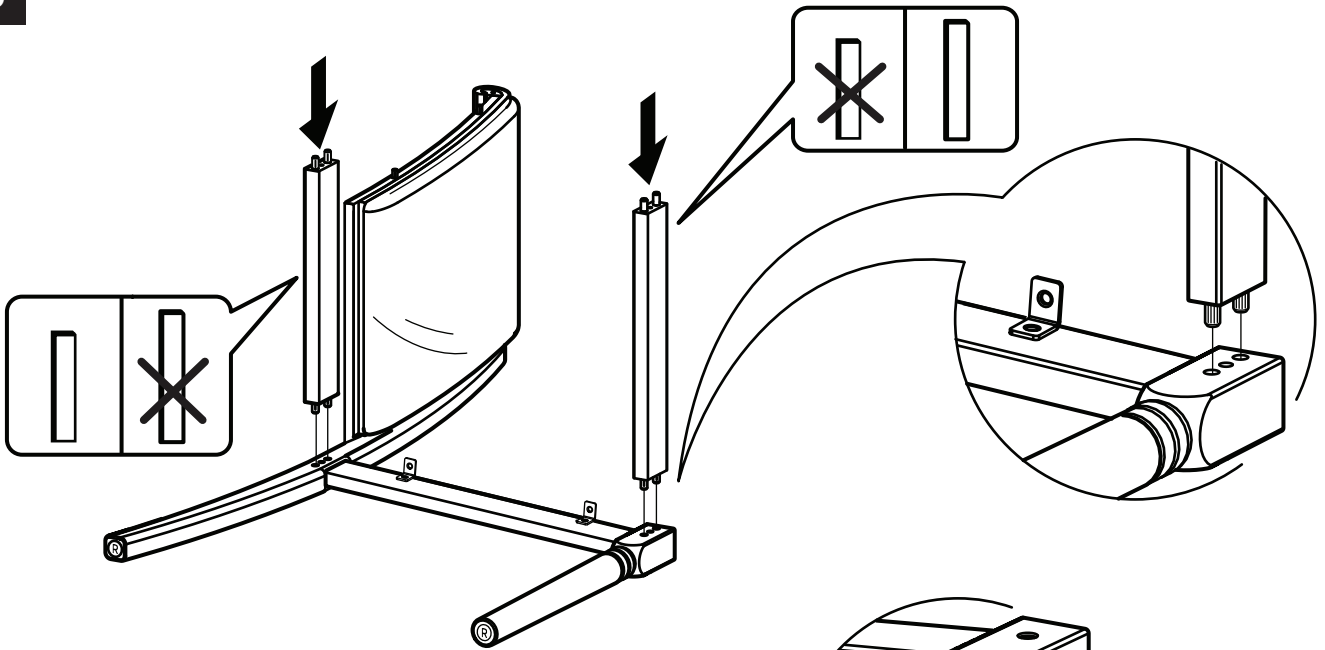
3



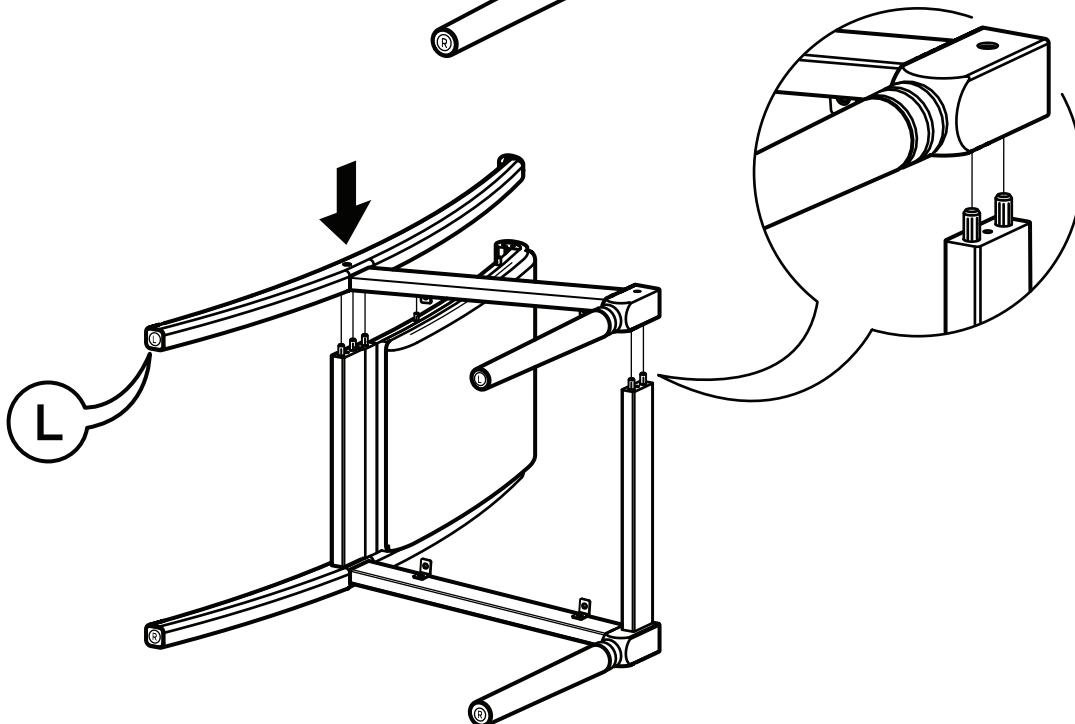
4



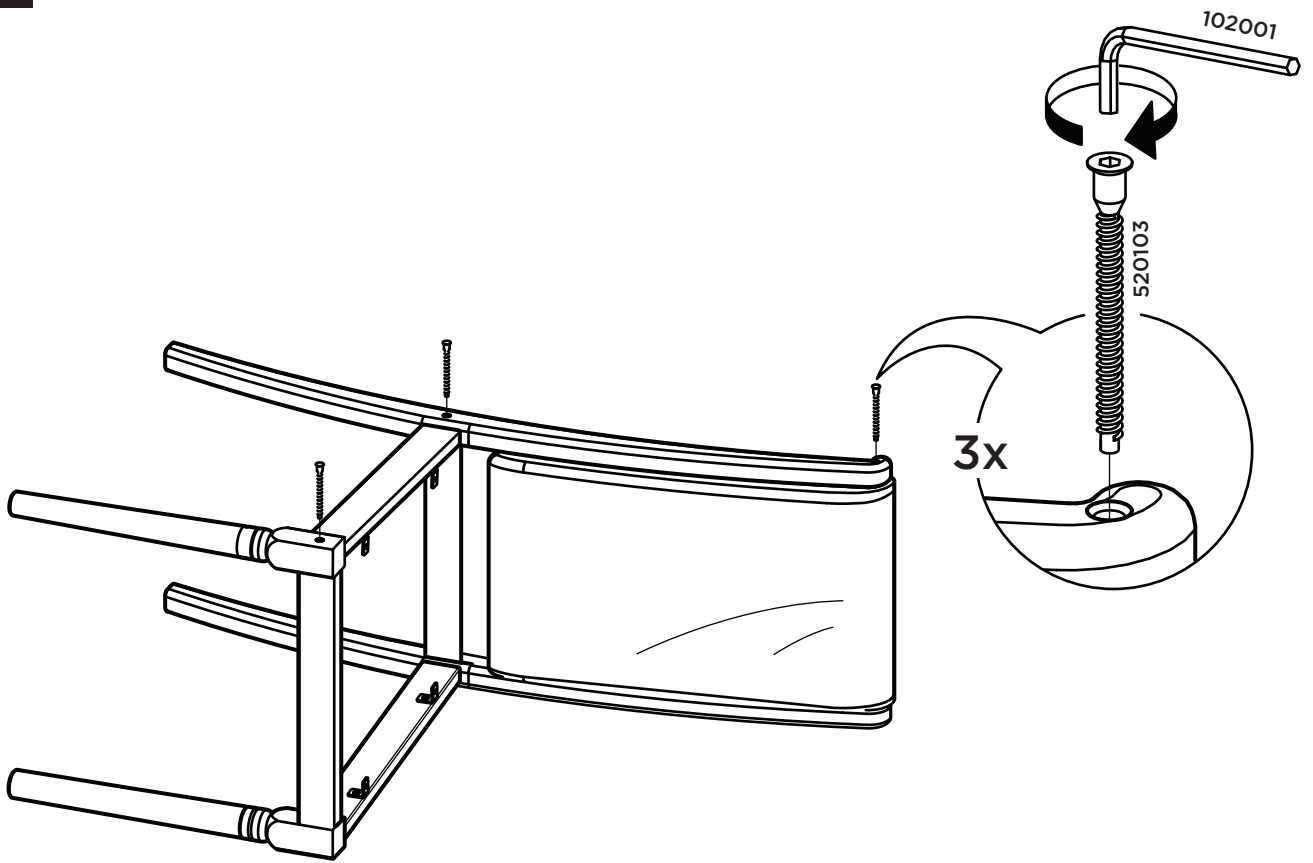
5



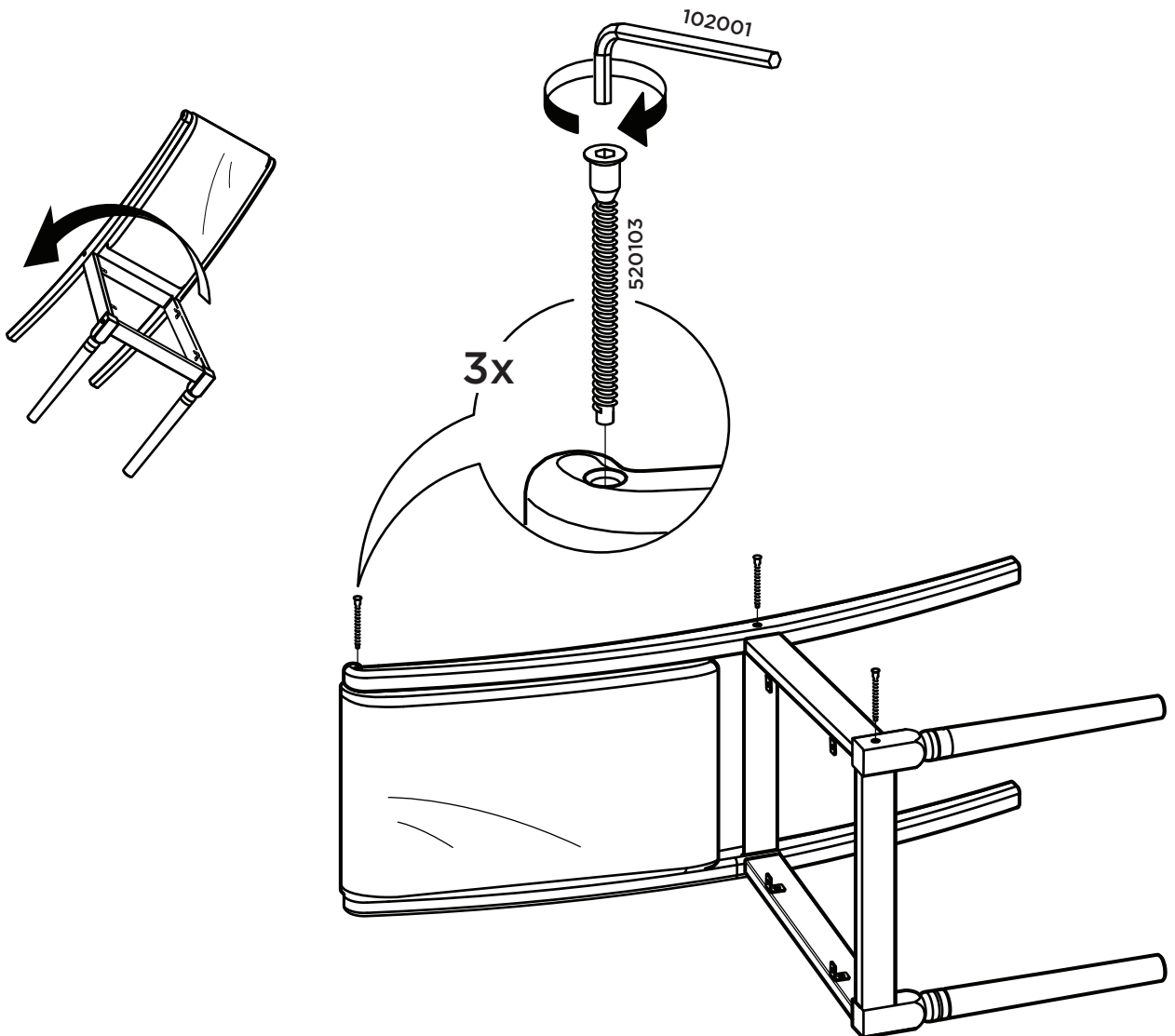
6



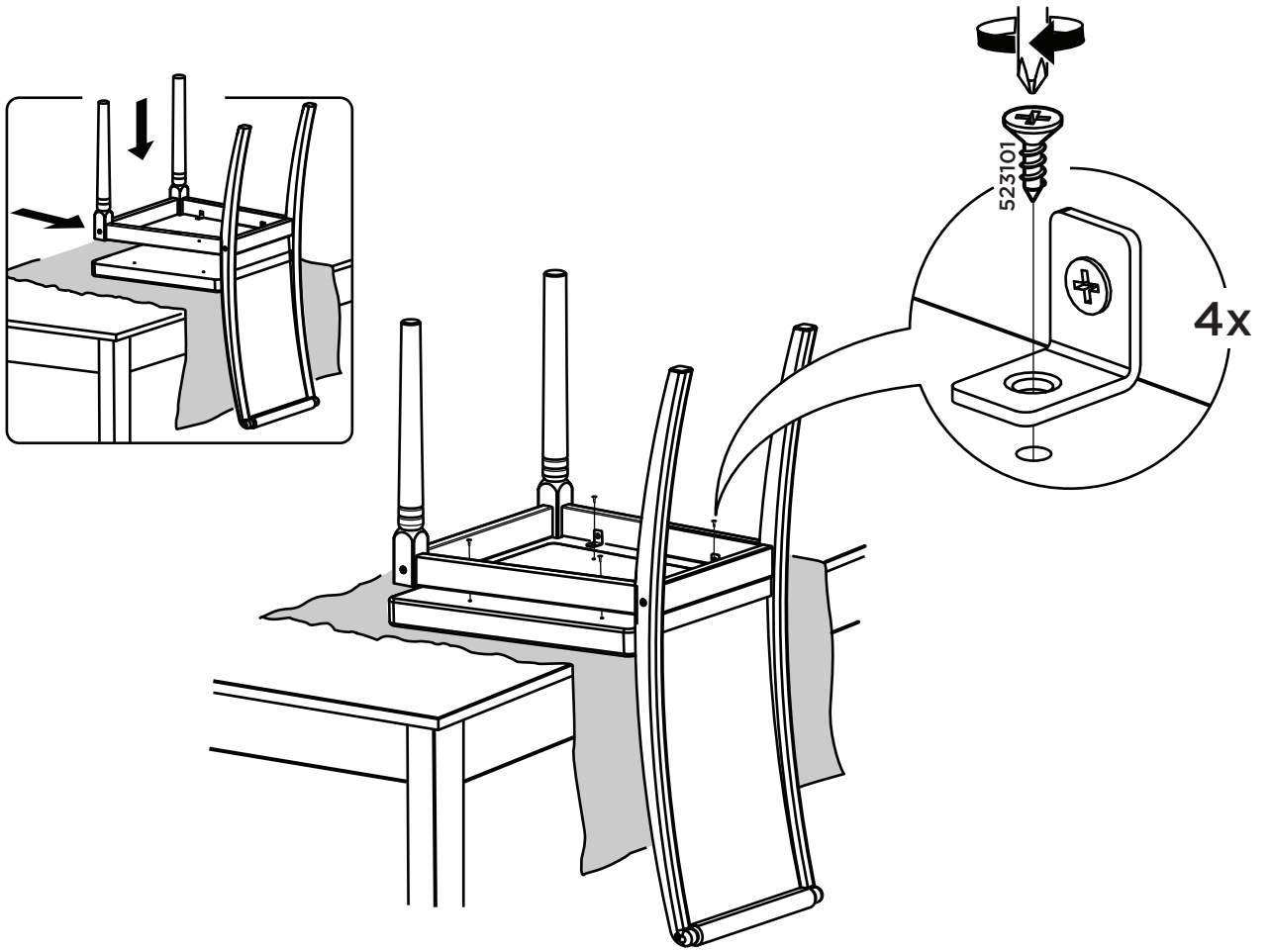
7



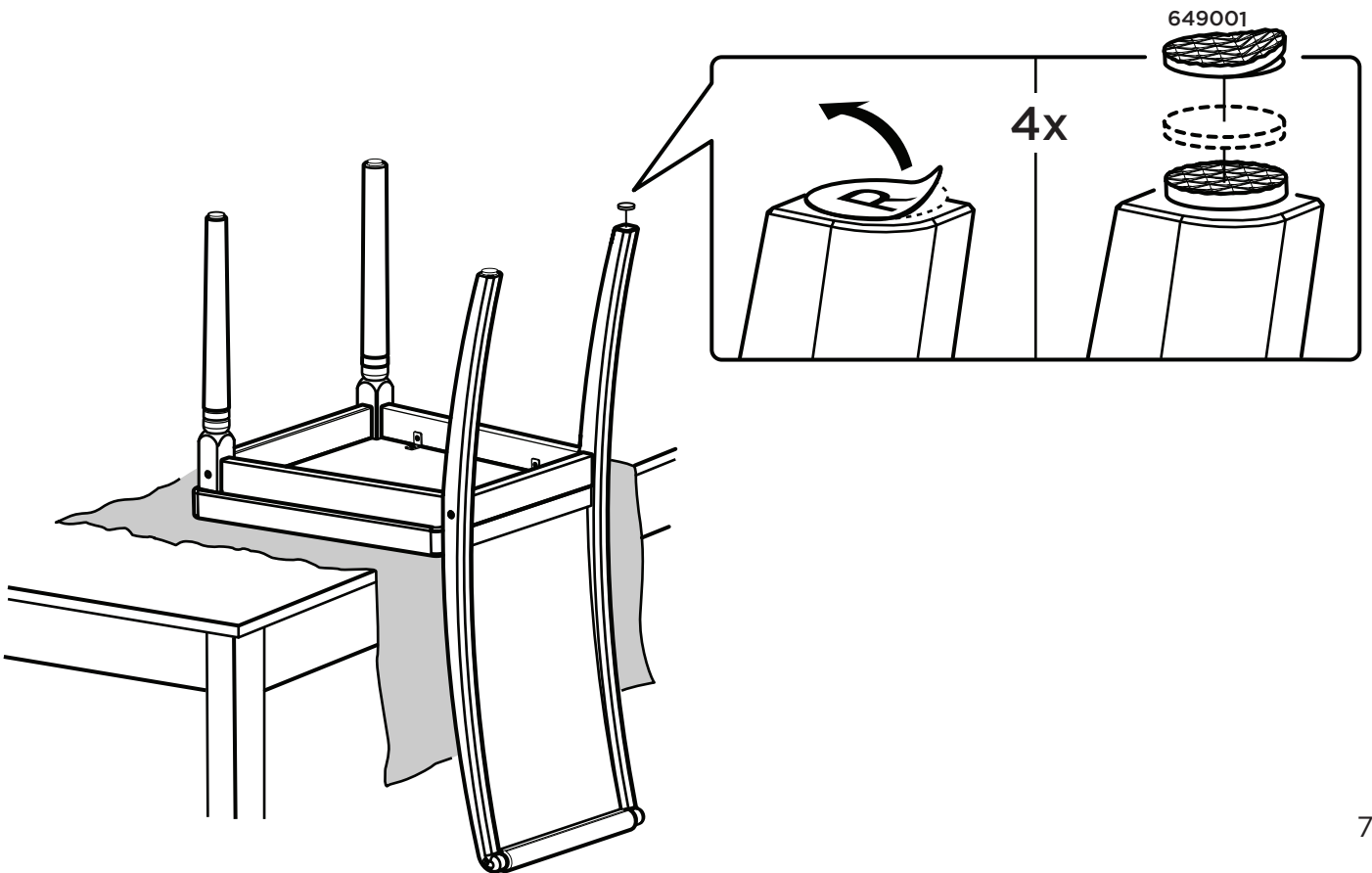
8



9



10



metercube