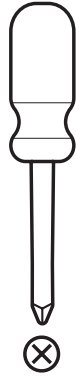
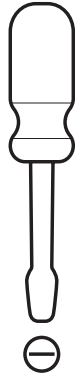


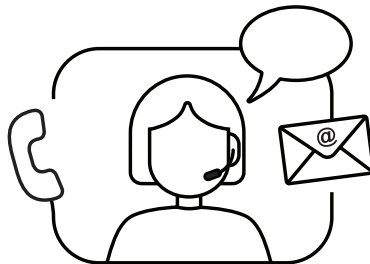
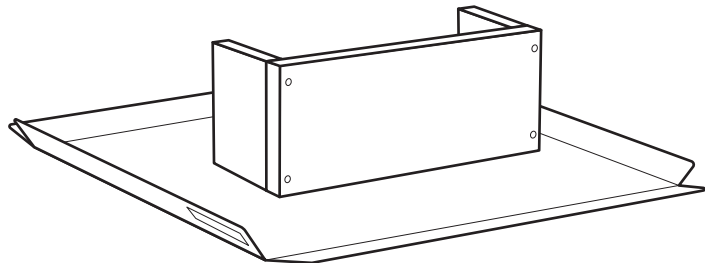
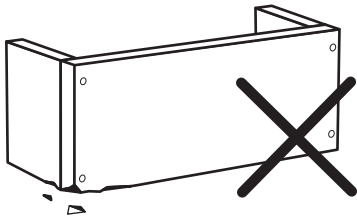
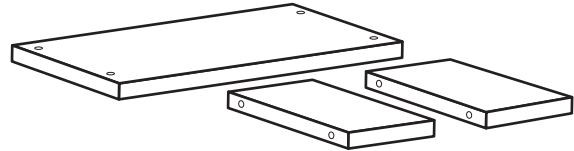
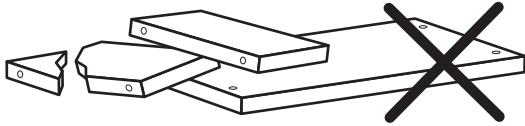
ogia

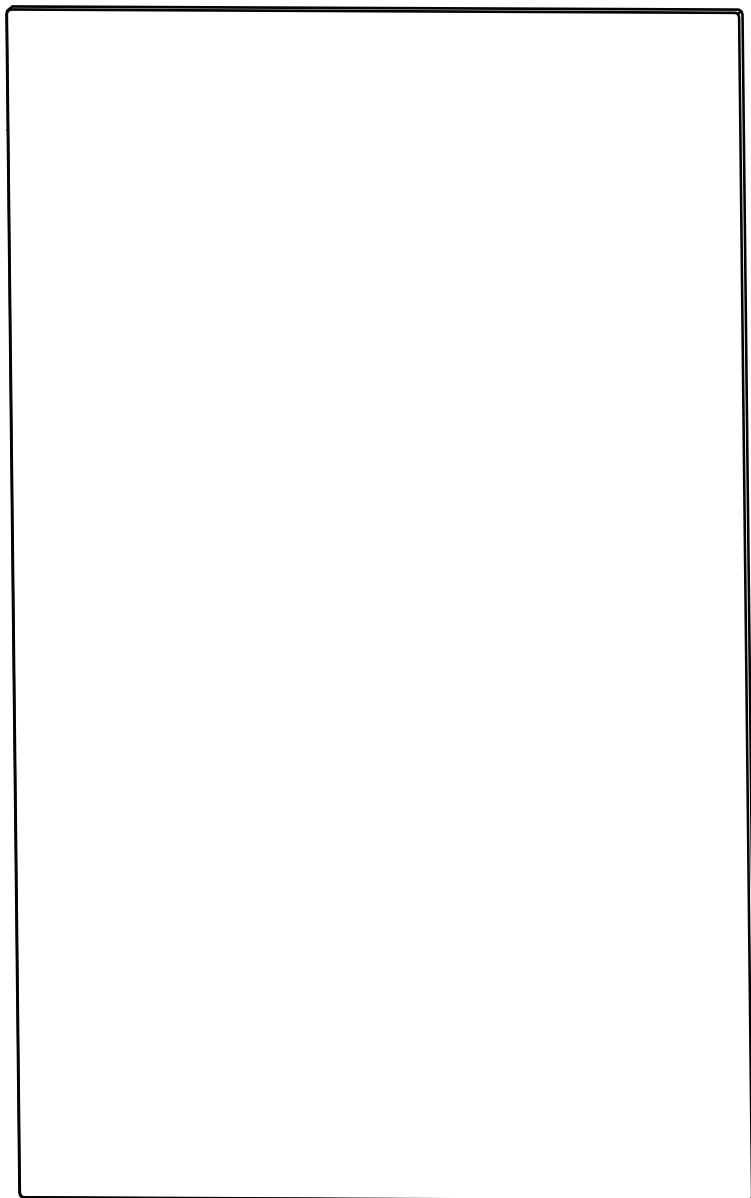
106.004.01
106.004.02

metercube



2x

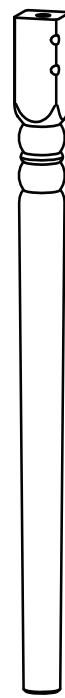




1x



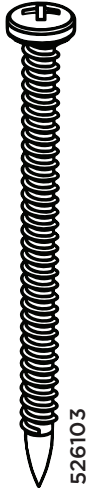
2x



4x

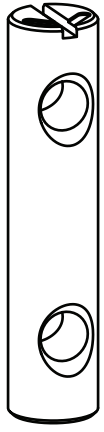


2x



526103

14x



497101

4x



481101

16x



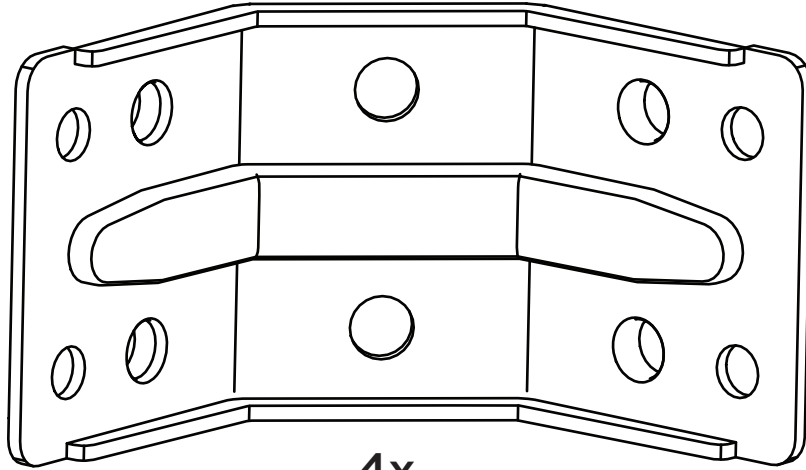
492101

8x



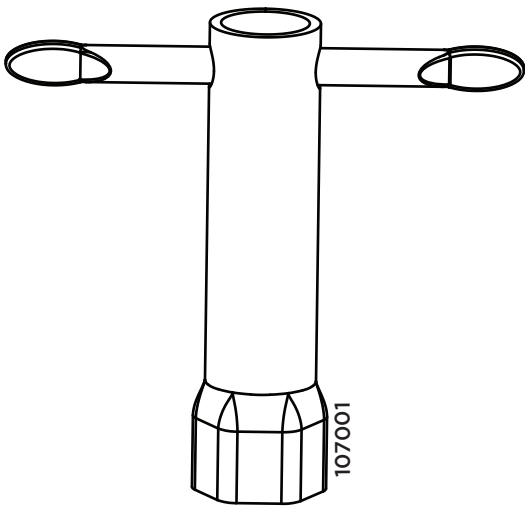
363101

8x



790101

4x



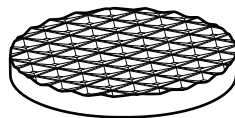
107001

1x



575142

8x



649002

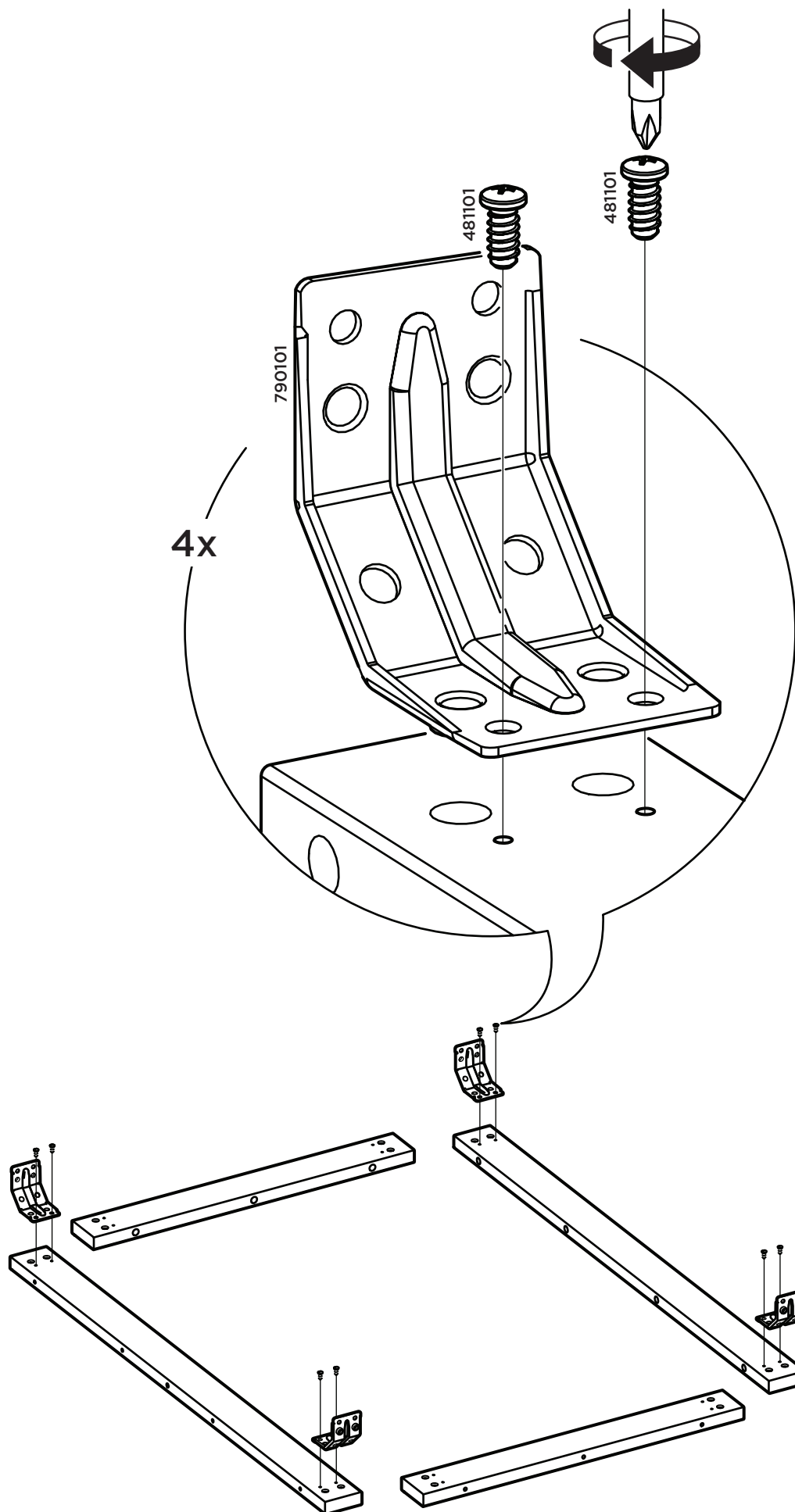
4x

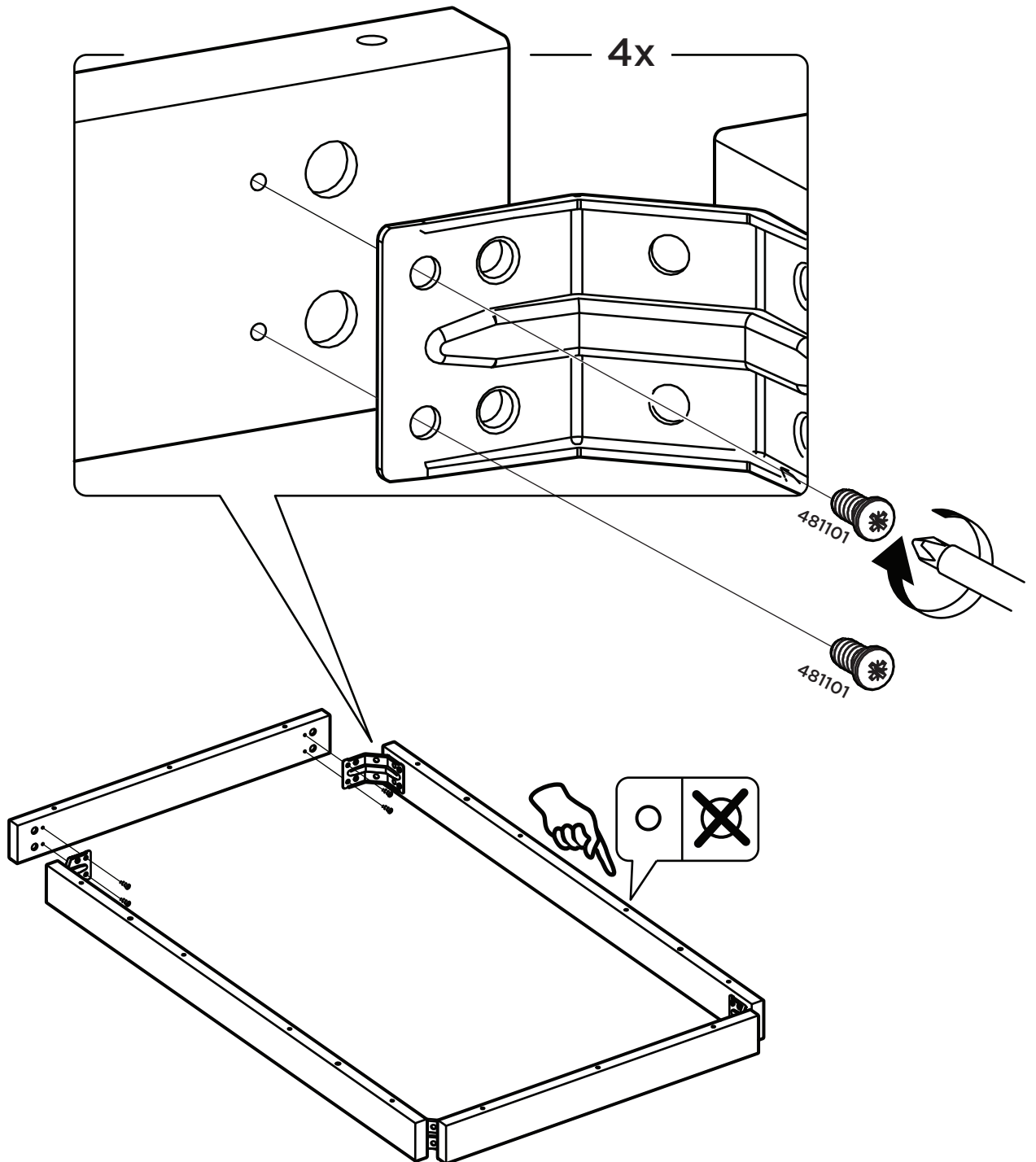


357004

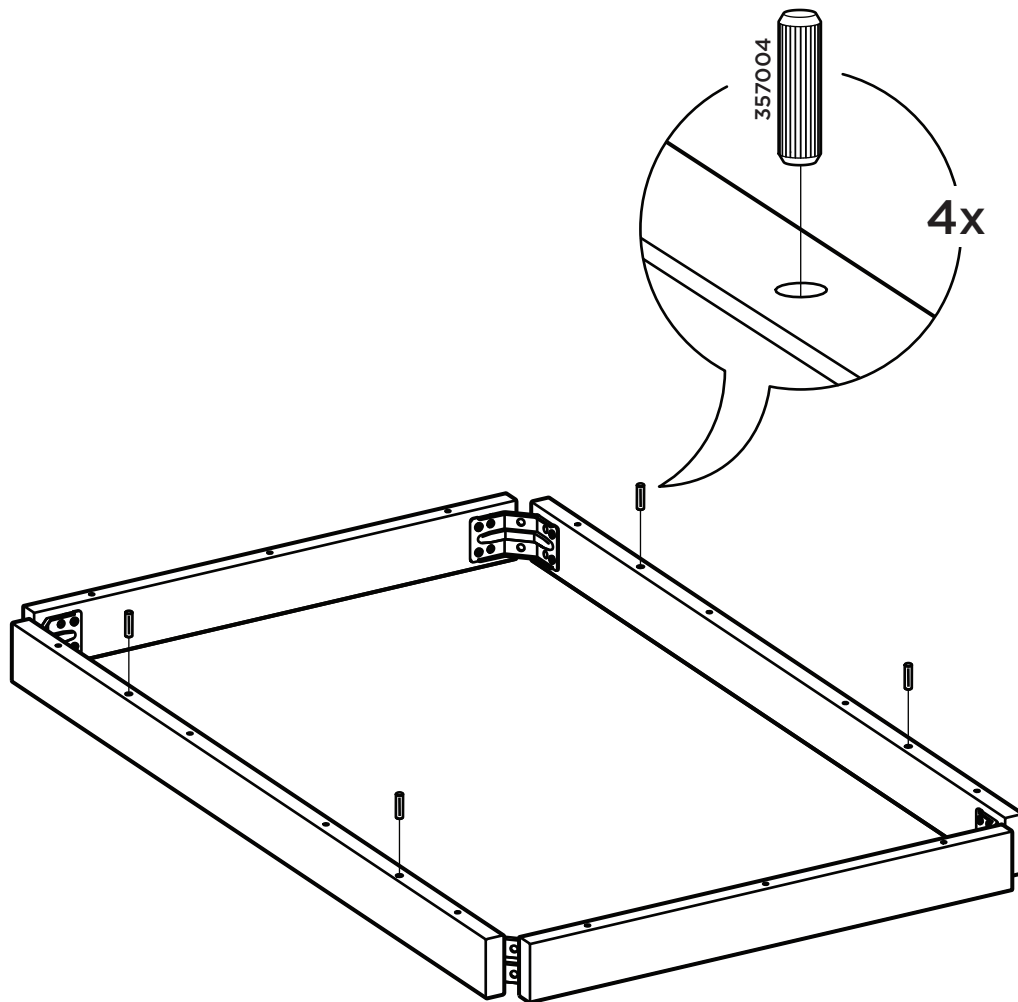
4x

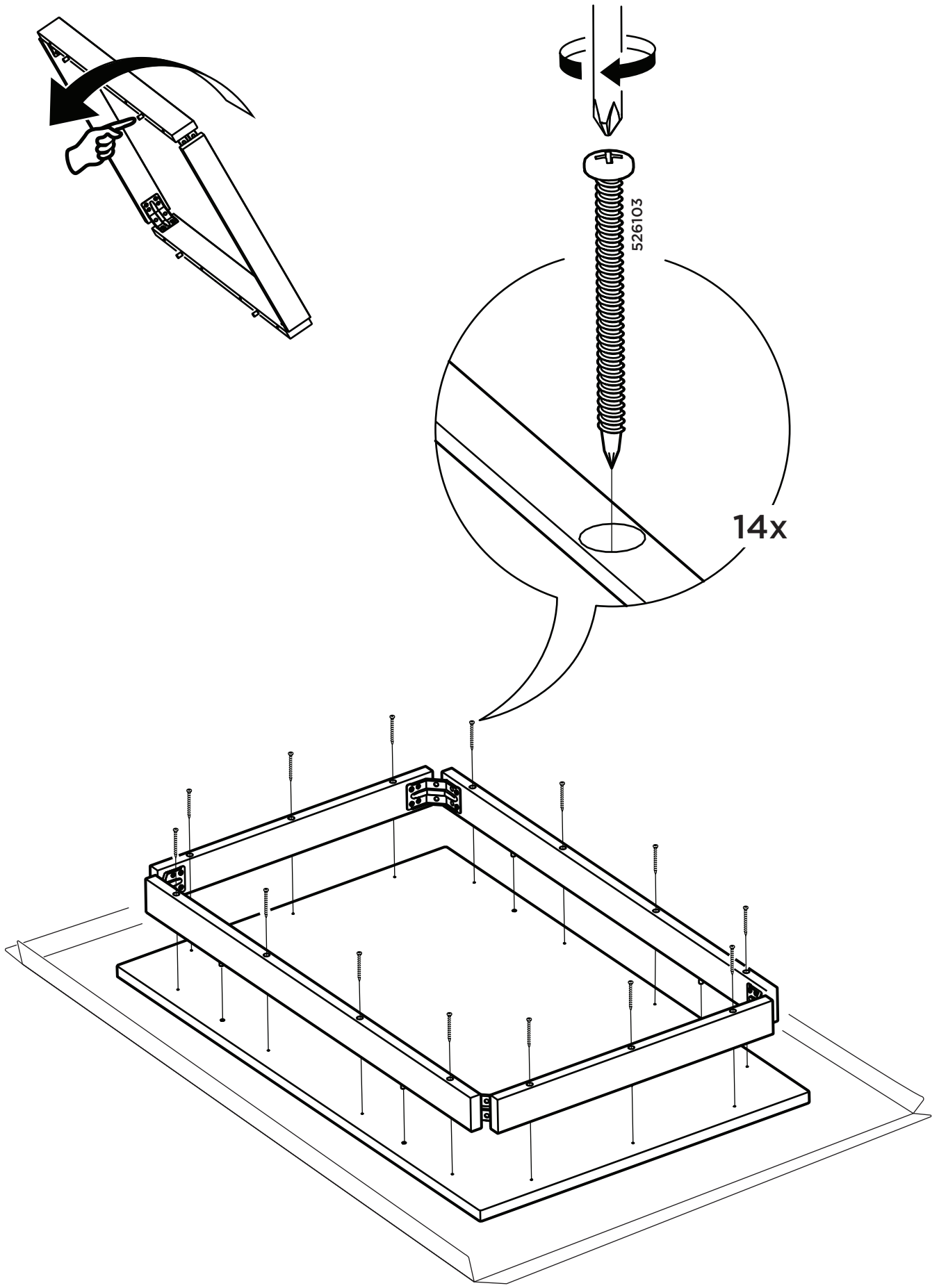
1

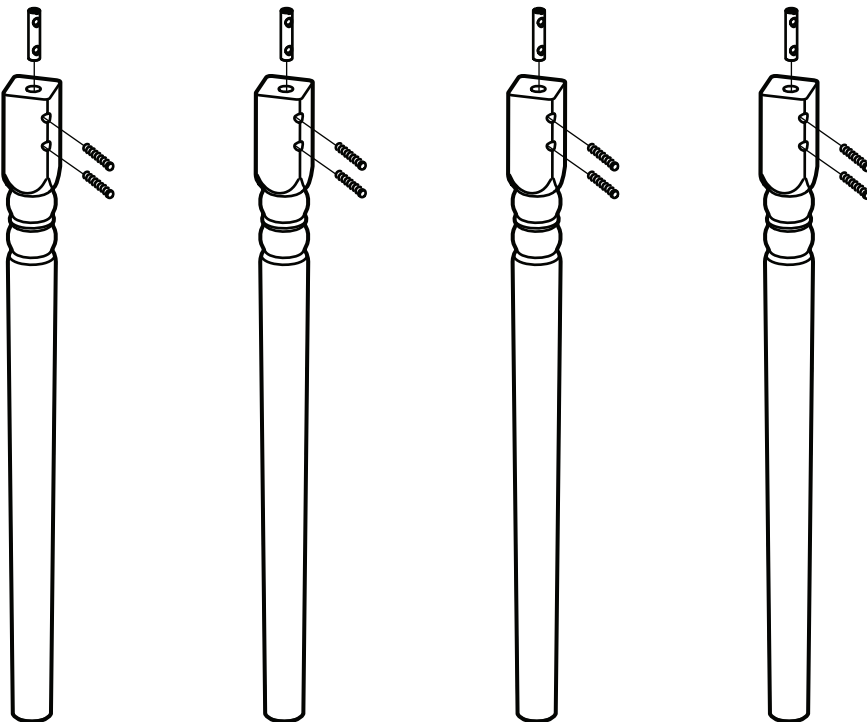
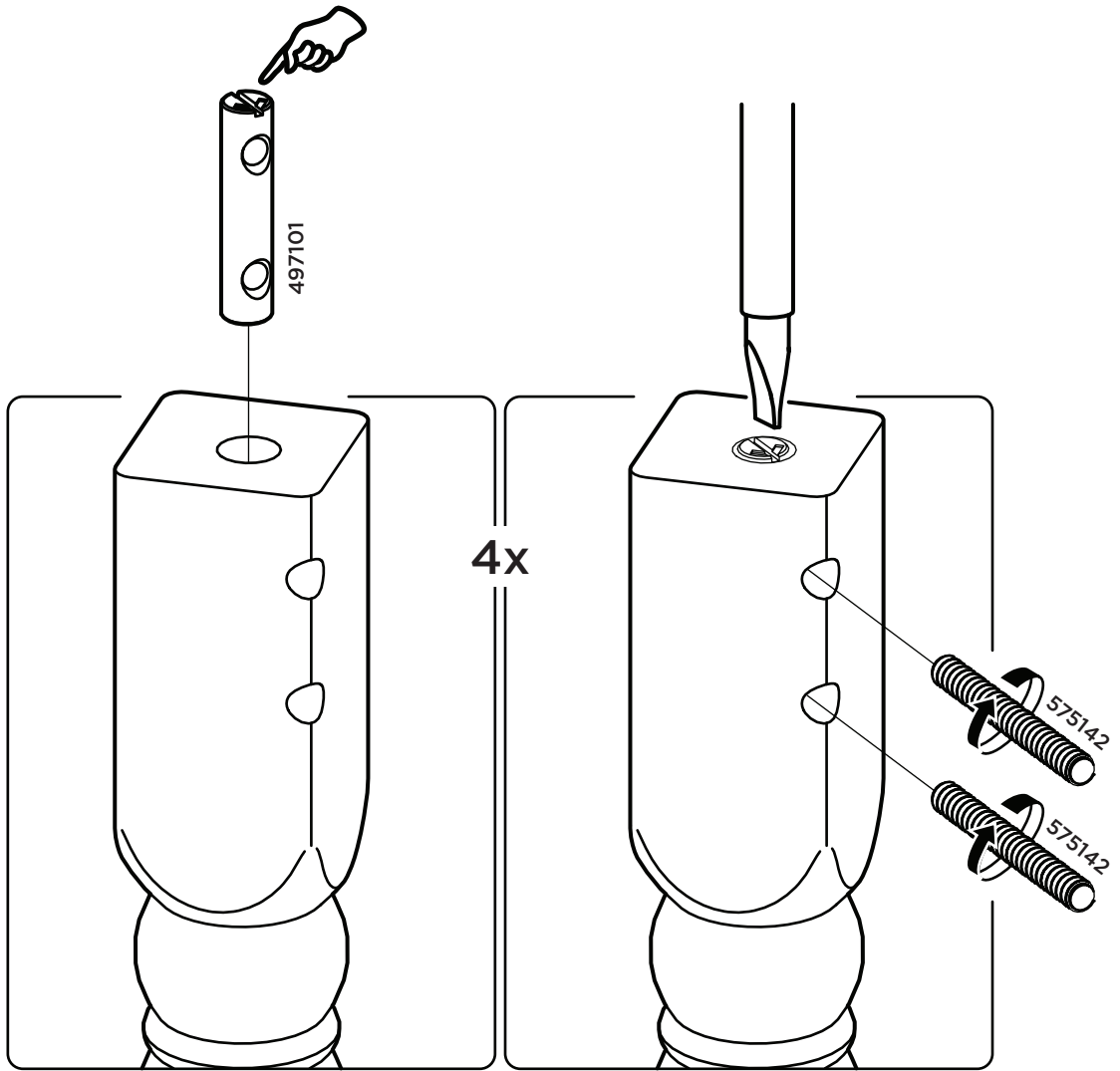


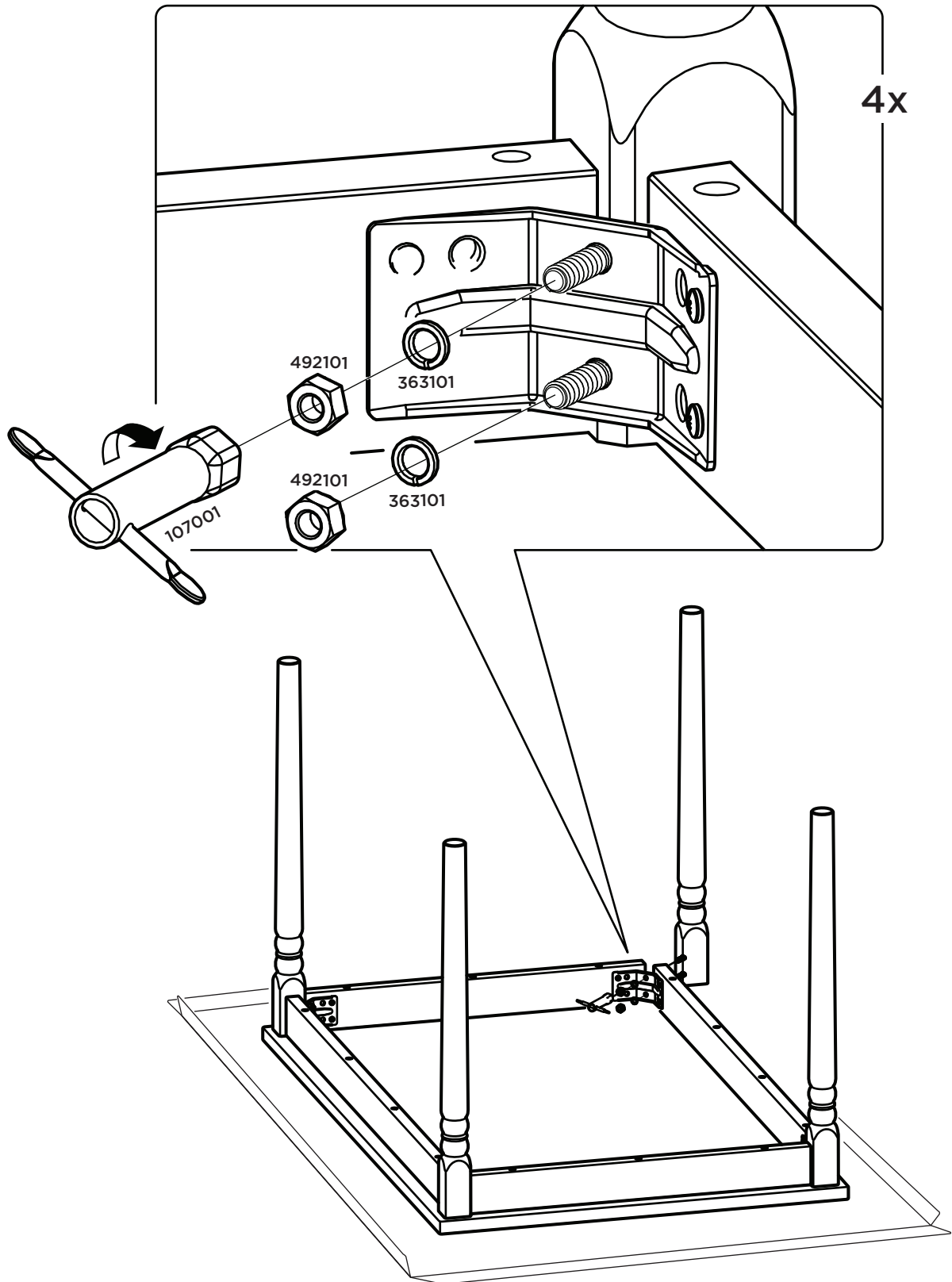


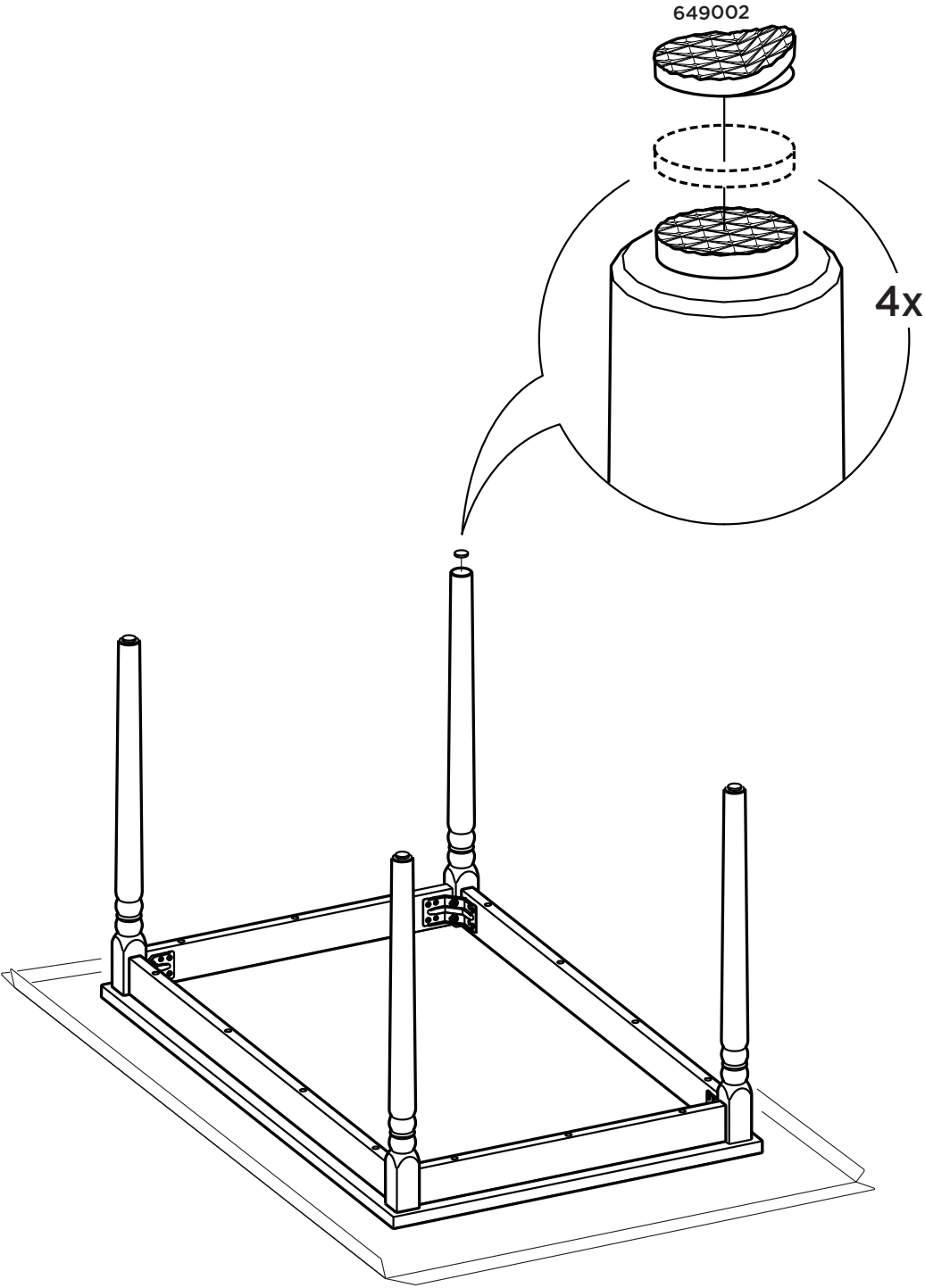
3











metercube