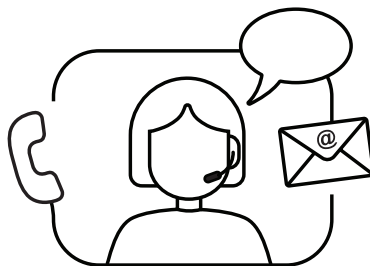
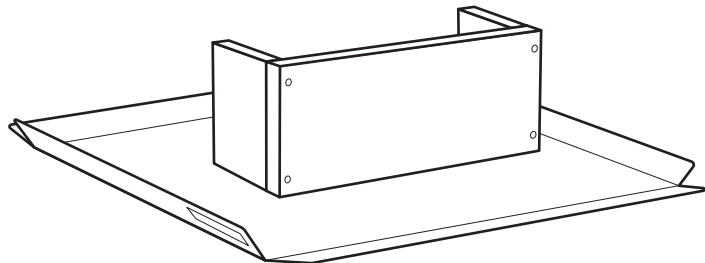
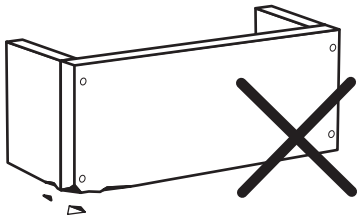
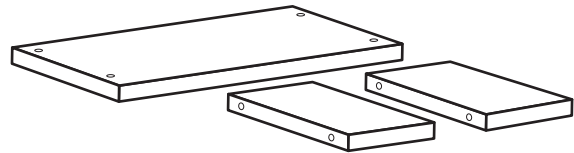
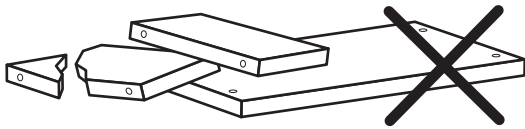
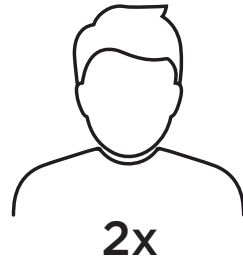
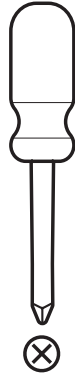
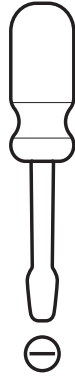


pa

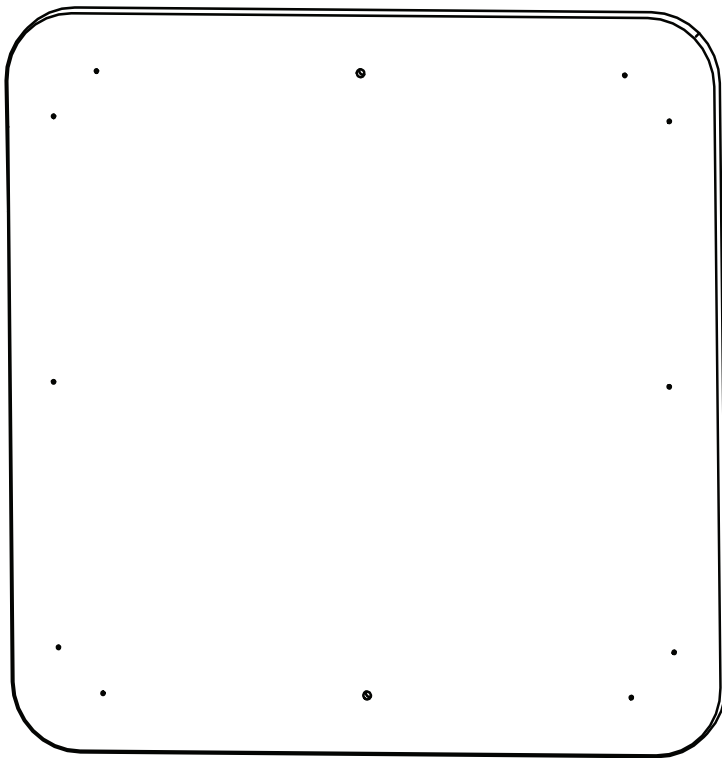
106.006.01
106.006.02

metercube





4x



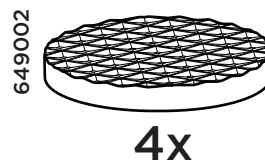
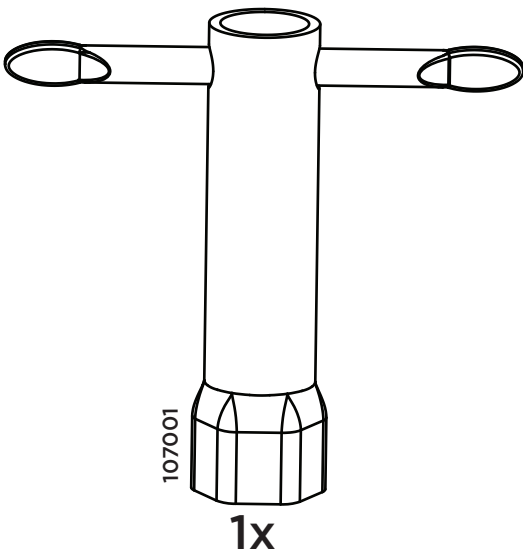
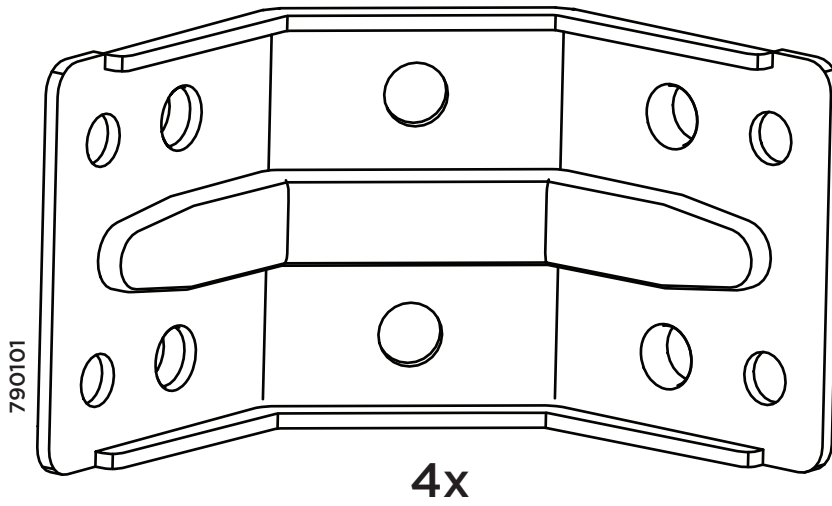
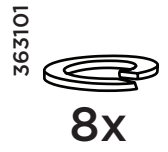
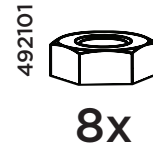
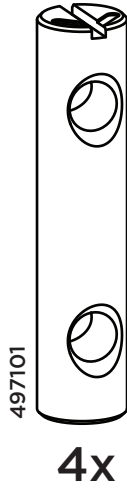
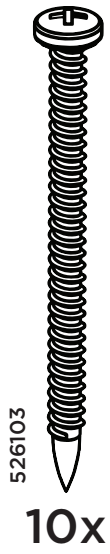
1x



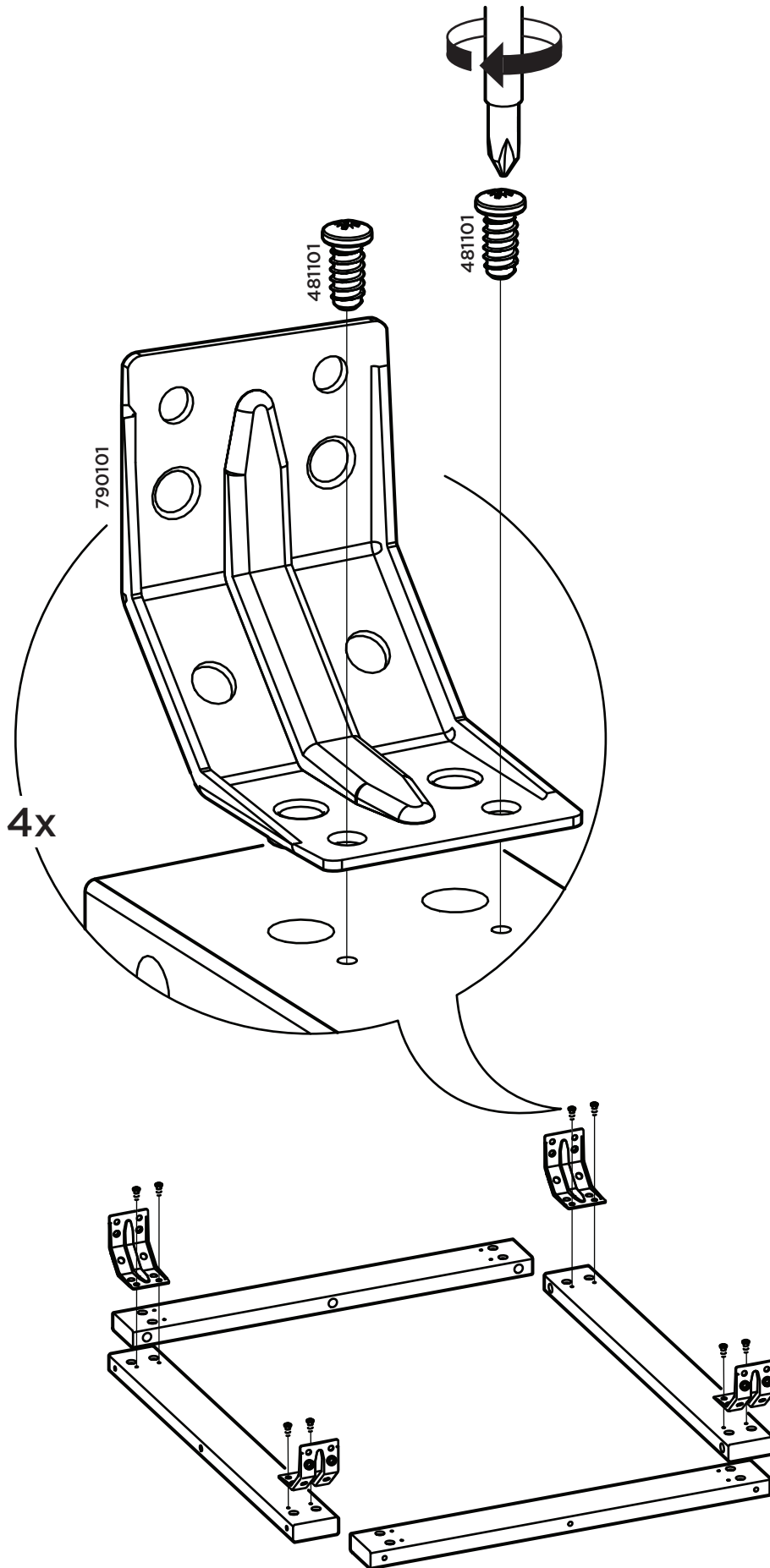
2x

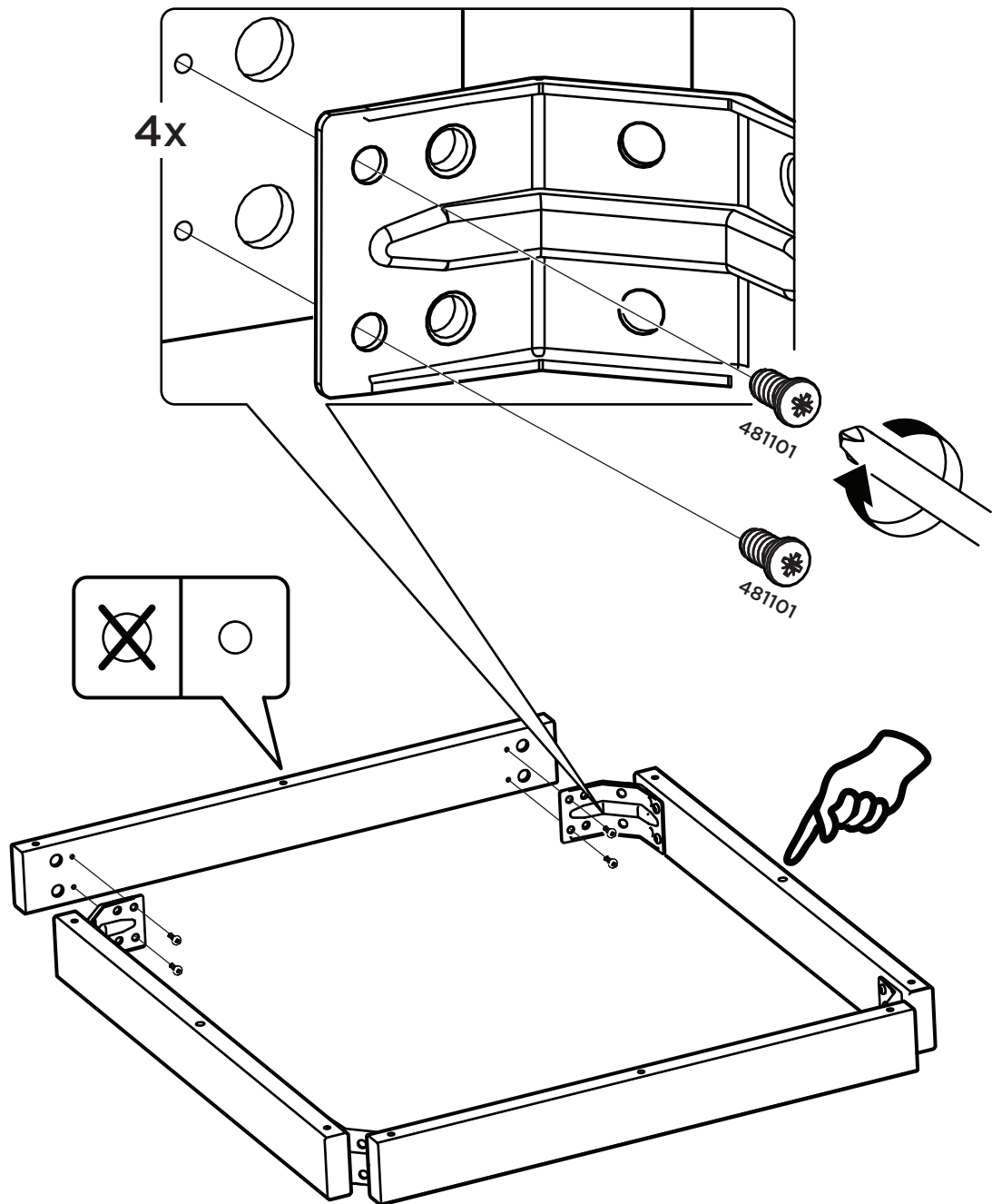


2x

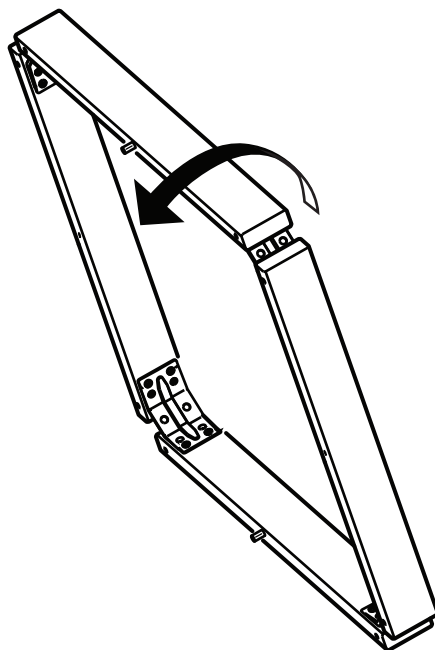
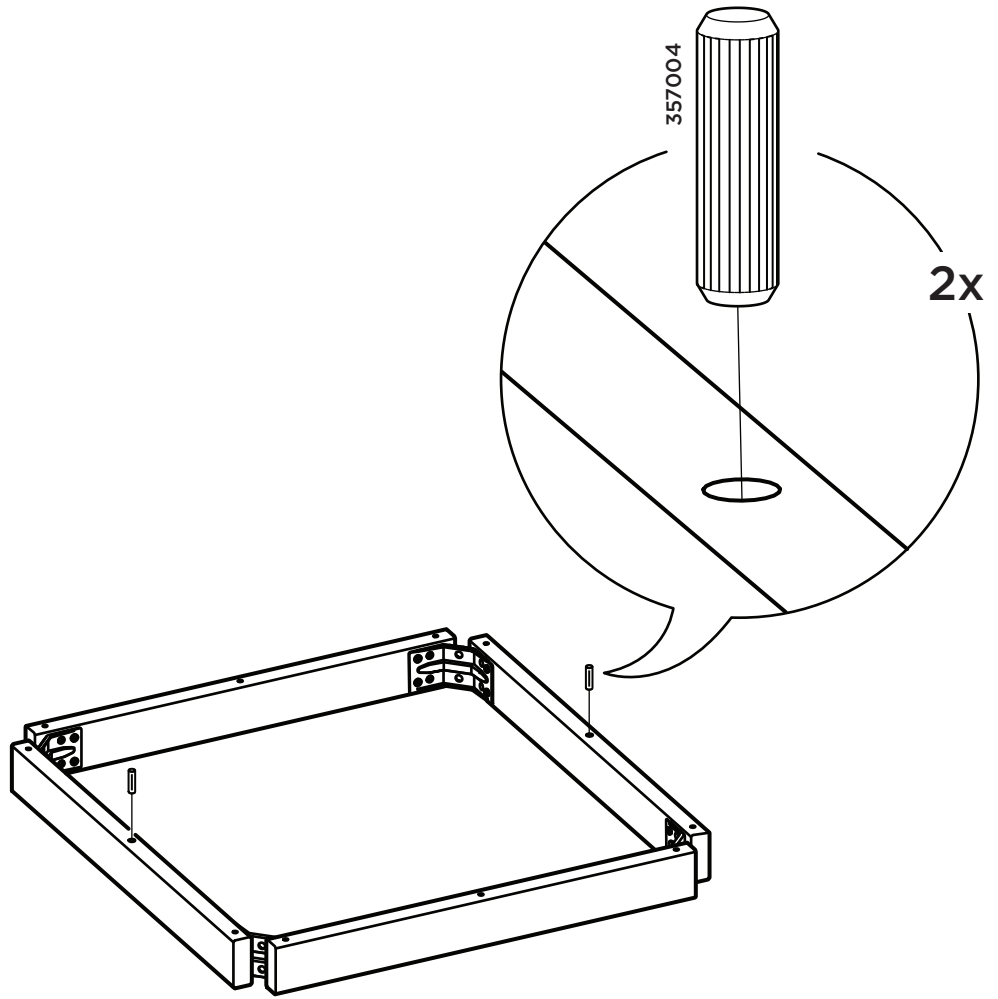


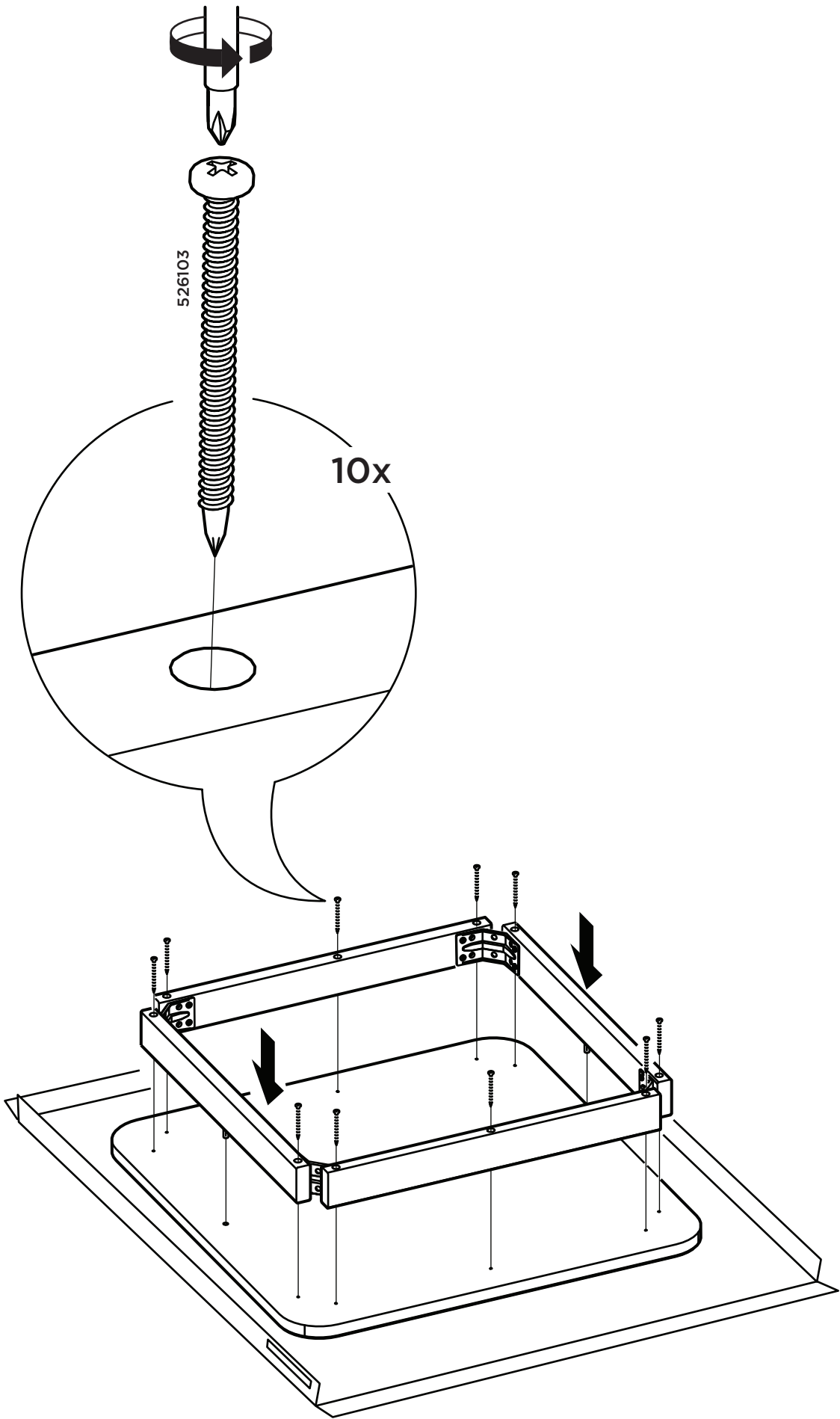
1



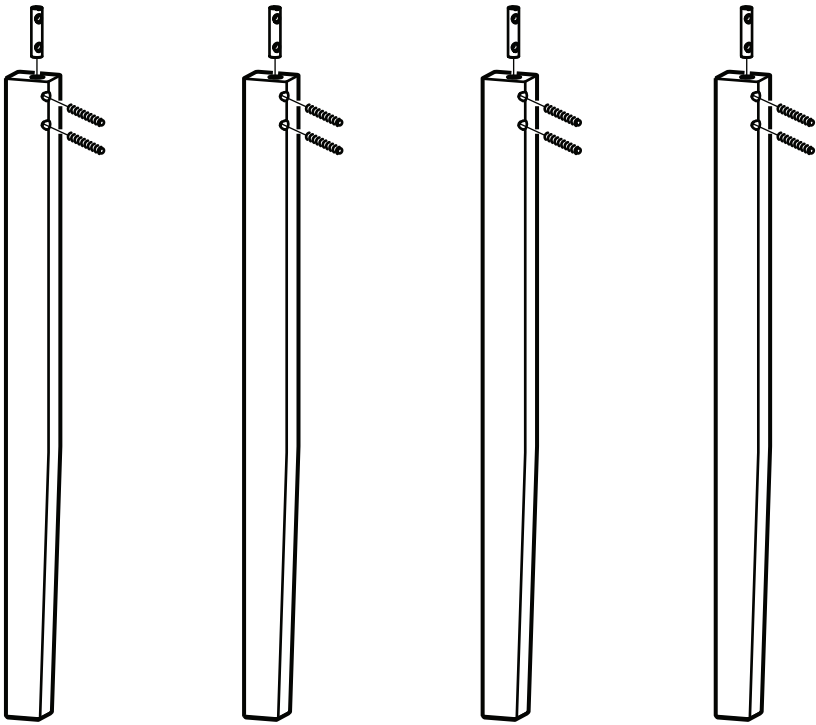
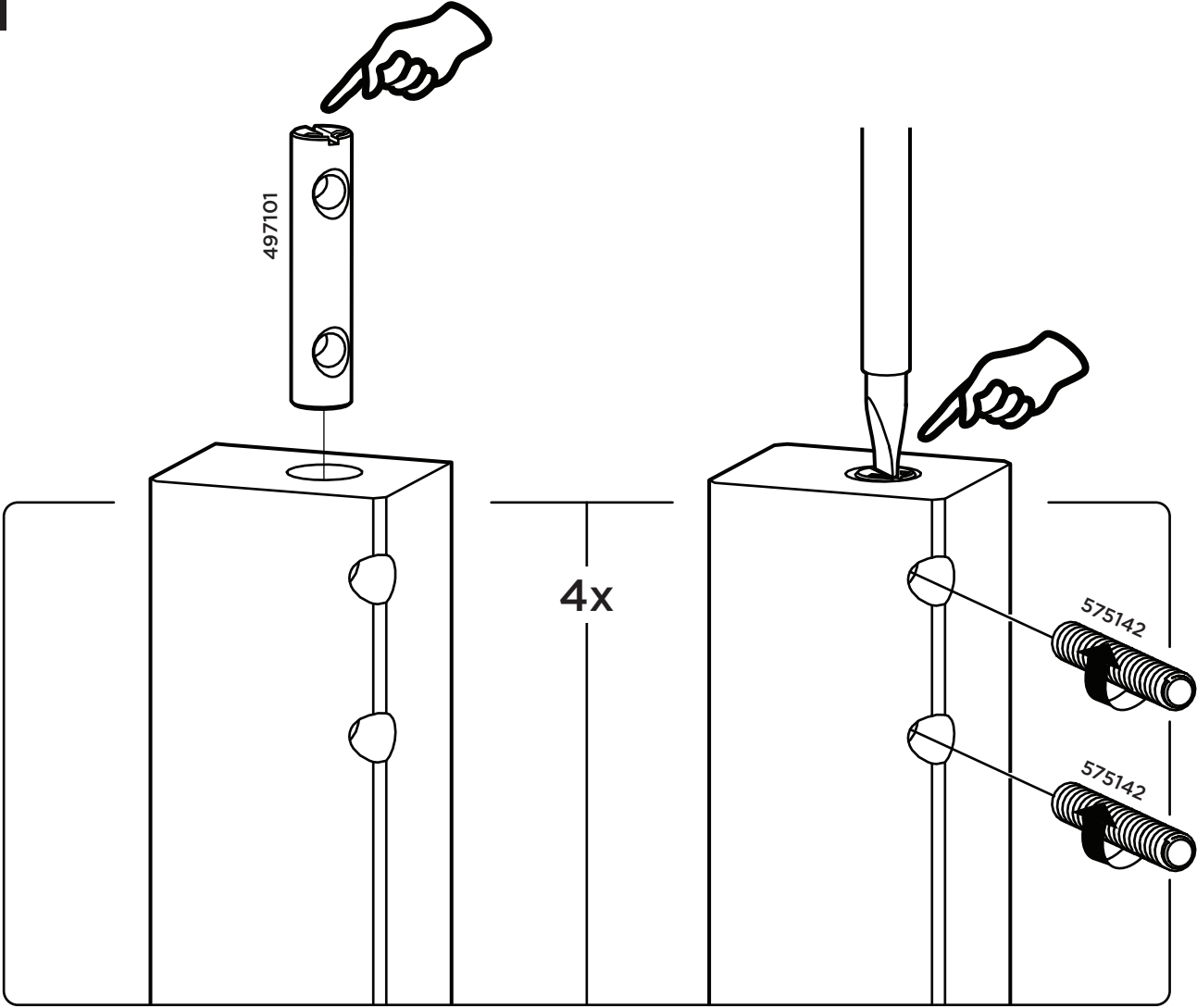


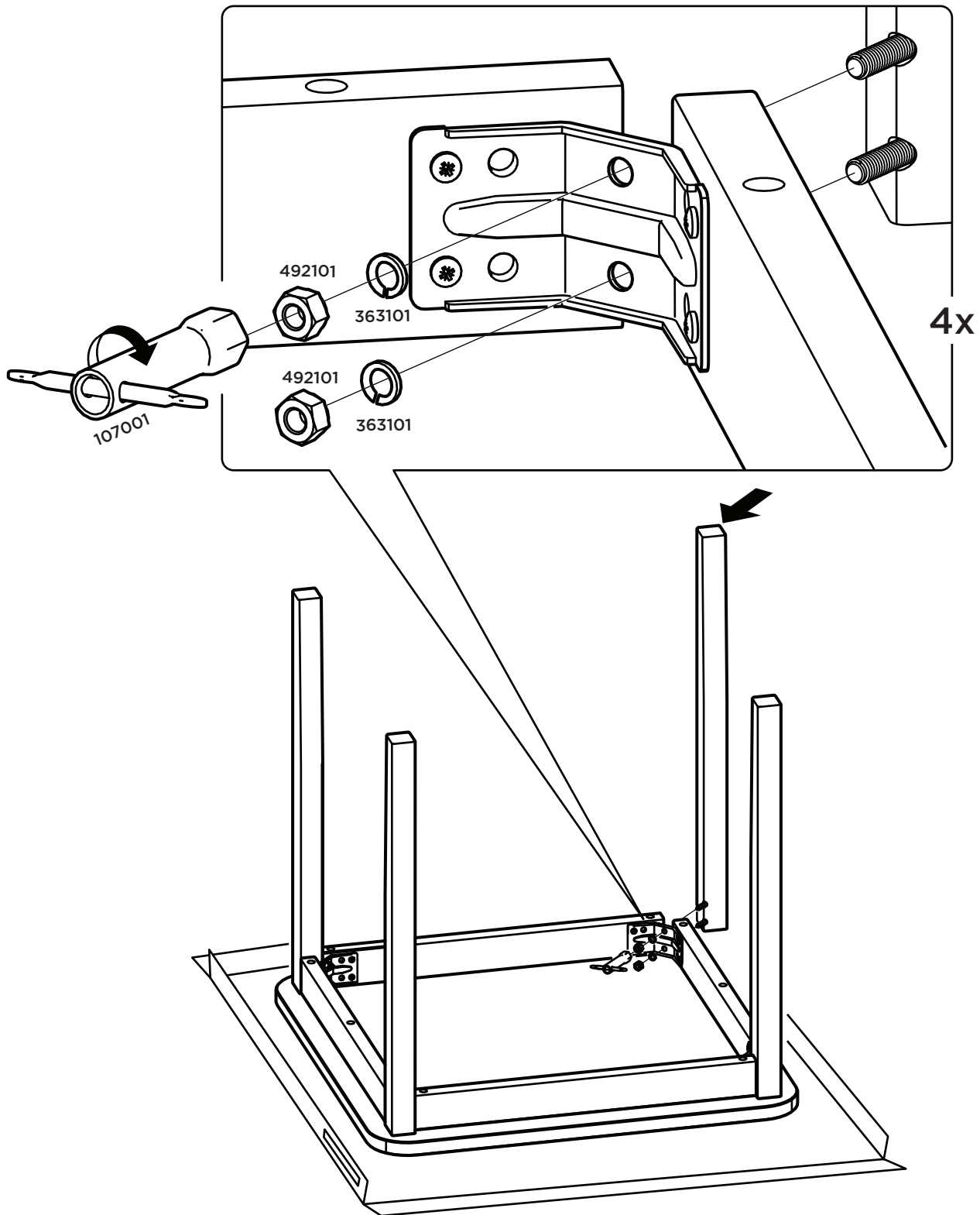
3

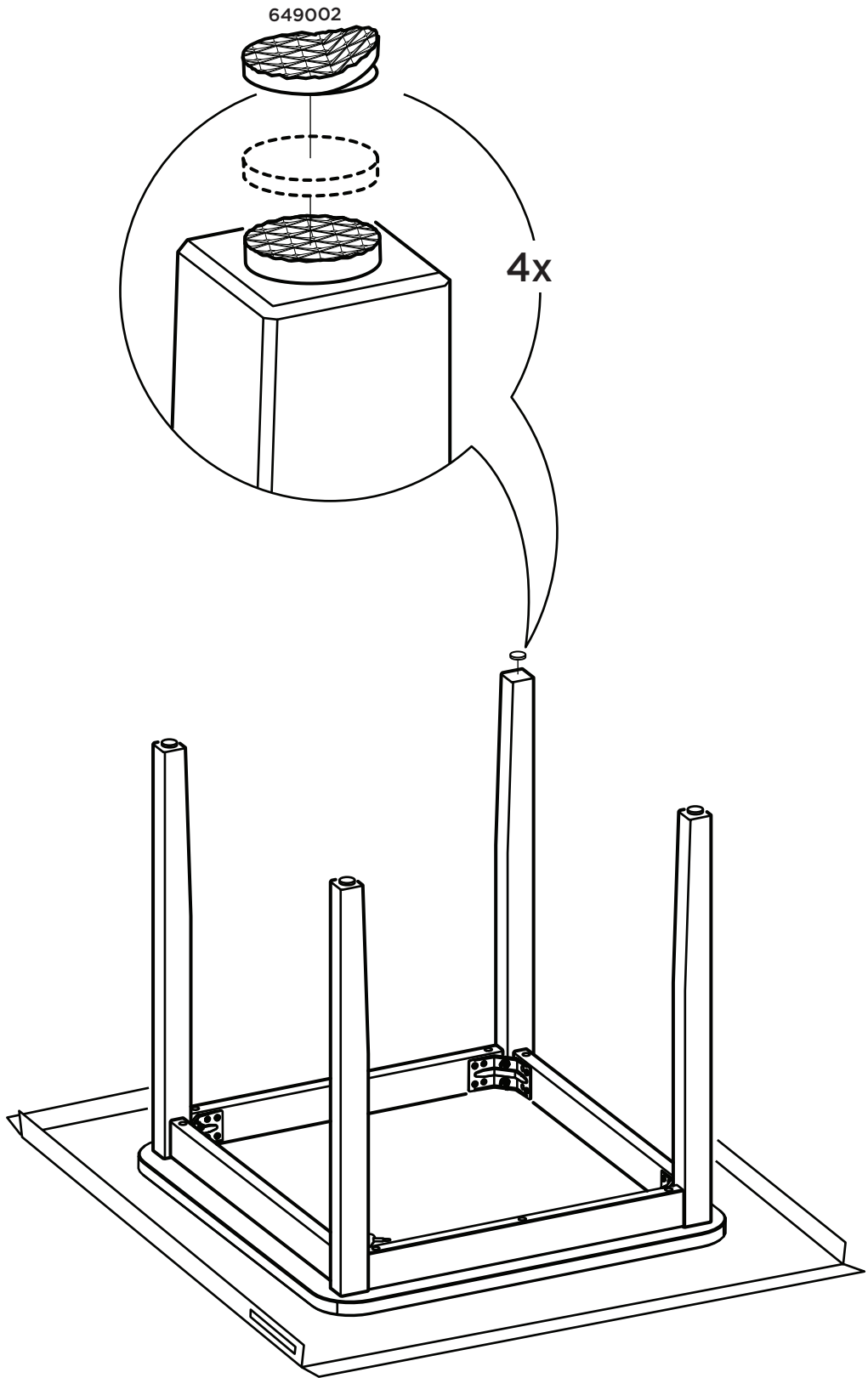




5







metercube