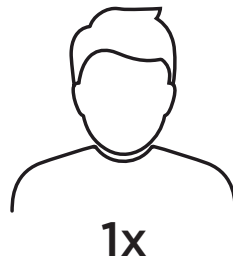


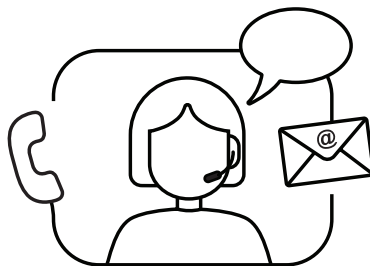
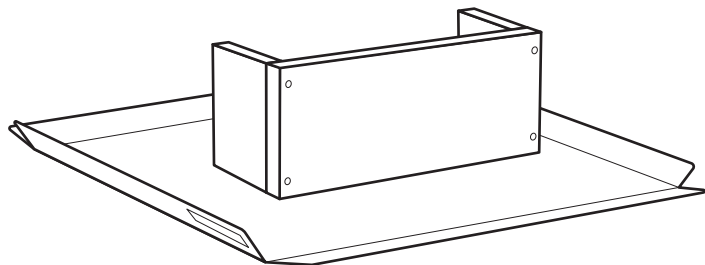
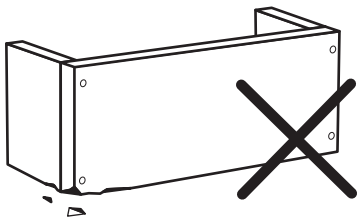
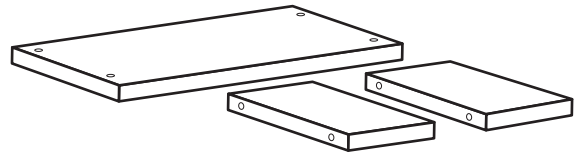
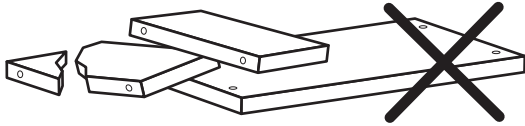
tanx

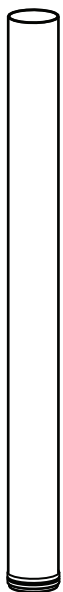
106.013.01
106.013.02

metercube

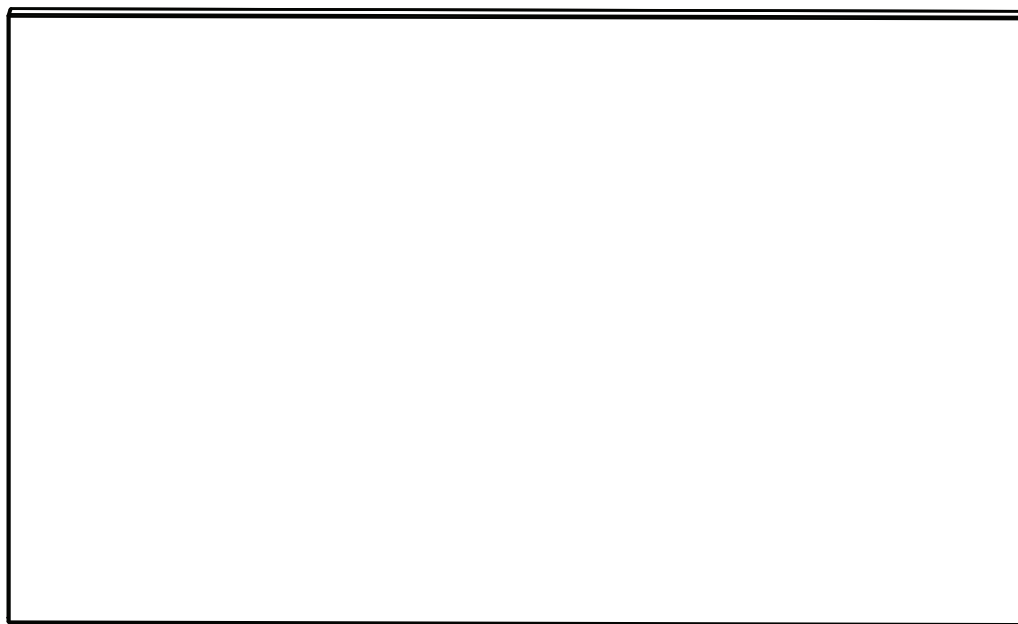


1x

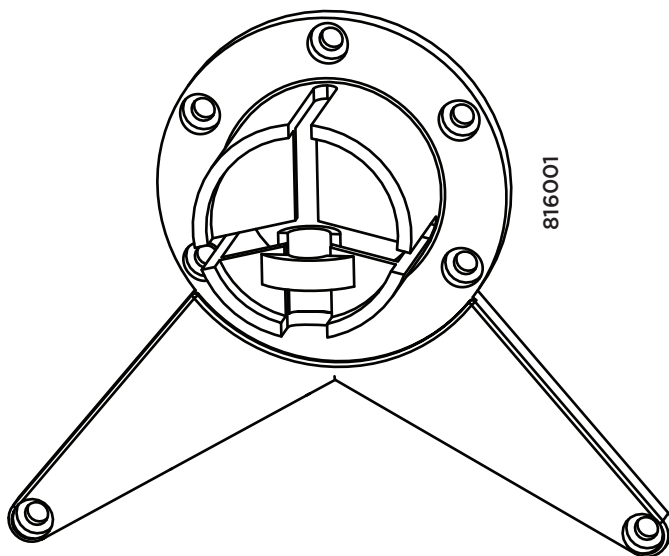




4x

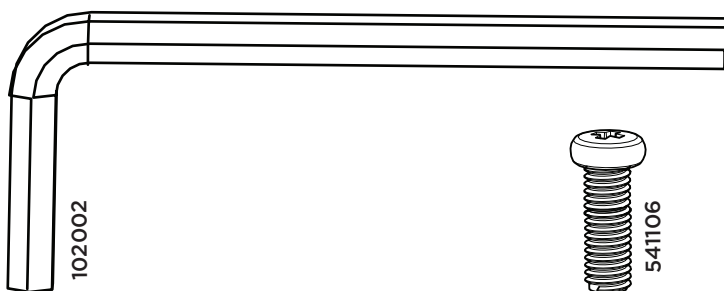


1x



816001

4x



102002

1x



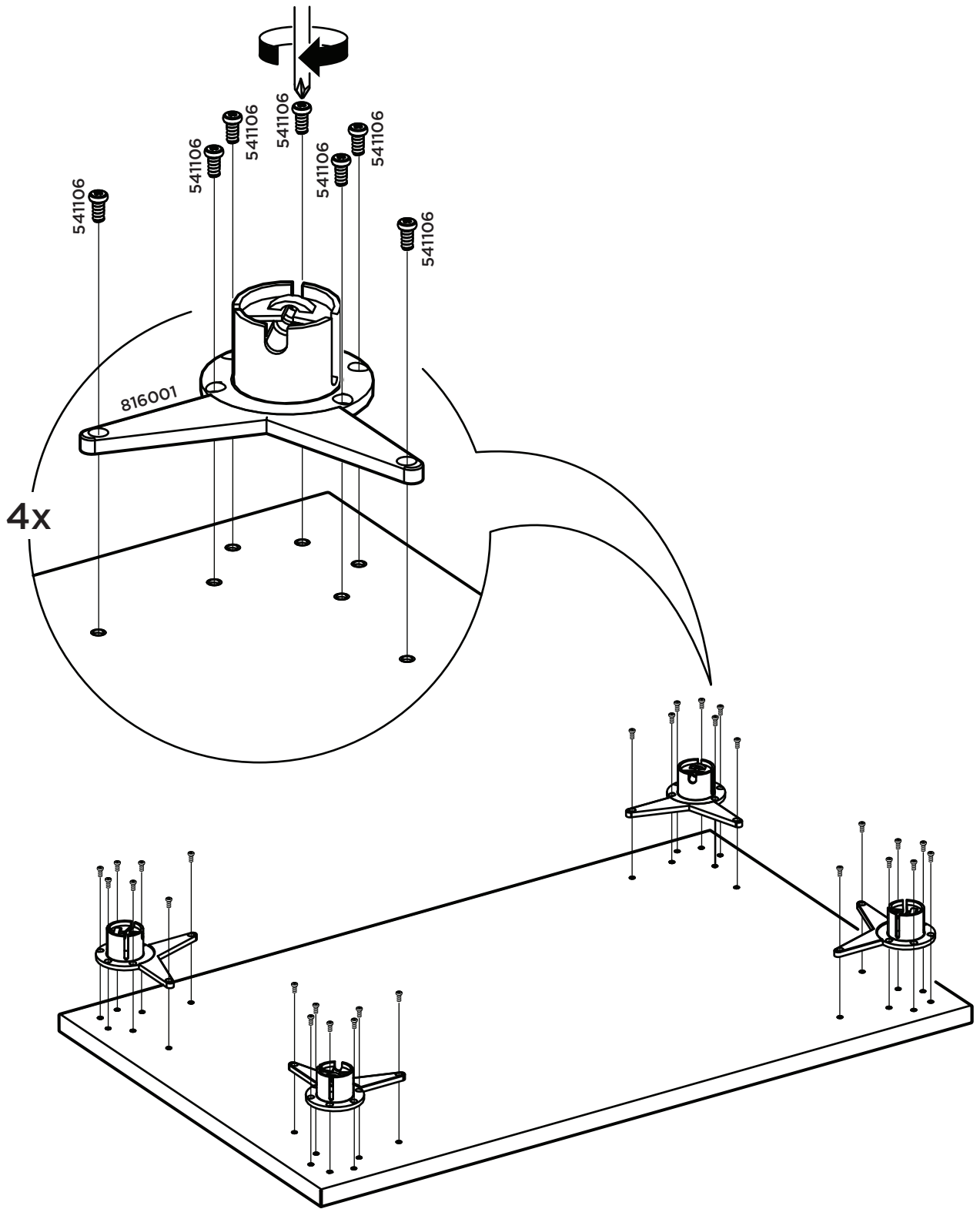
541106

28x

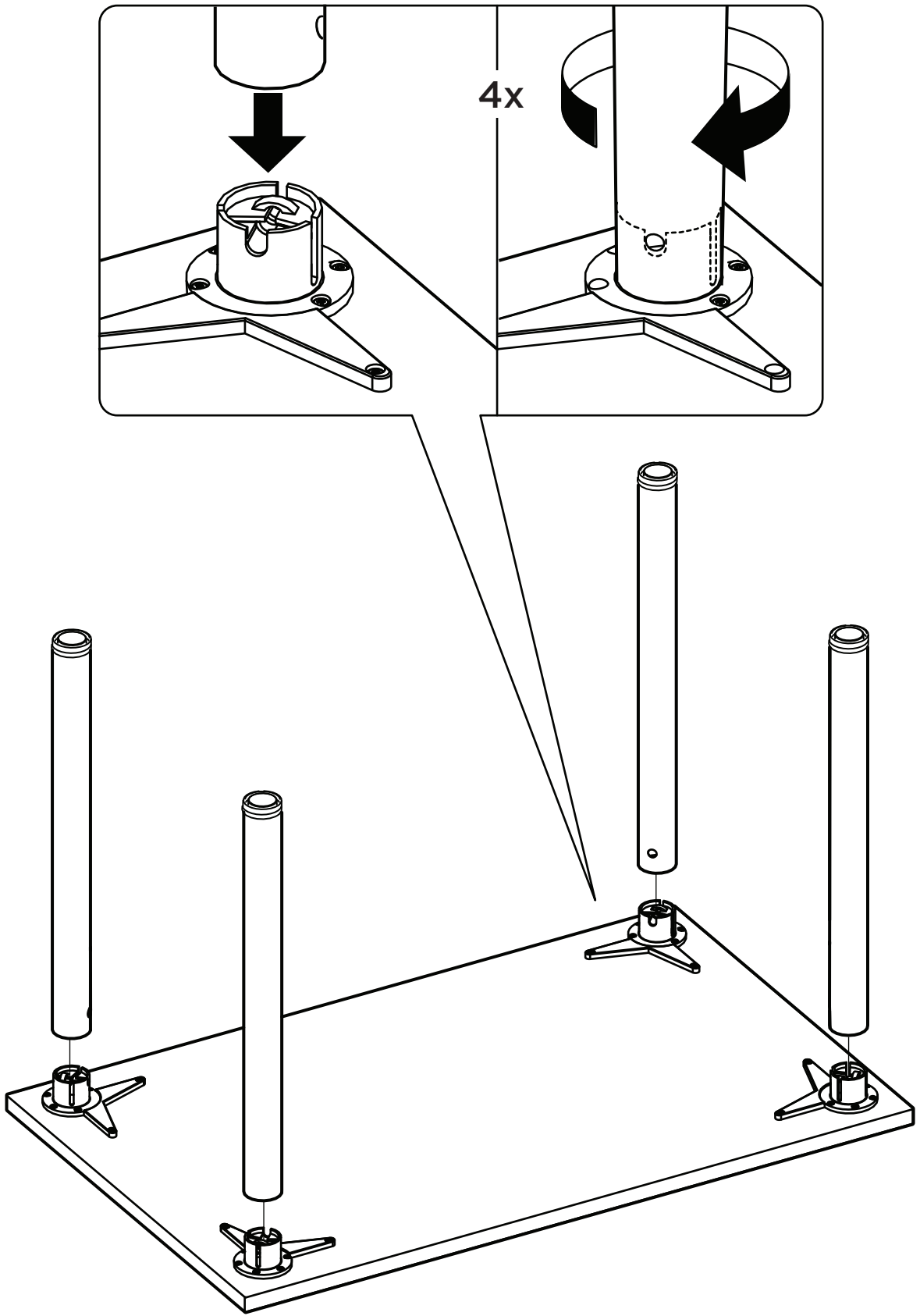


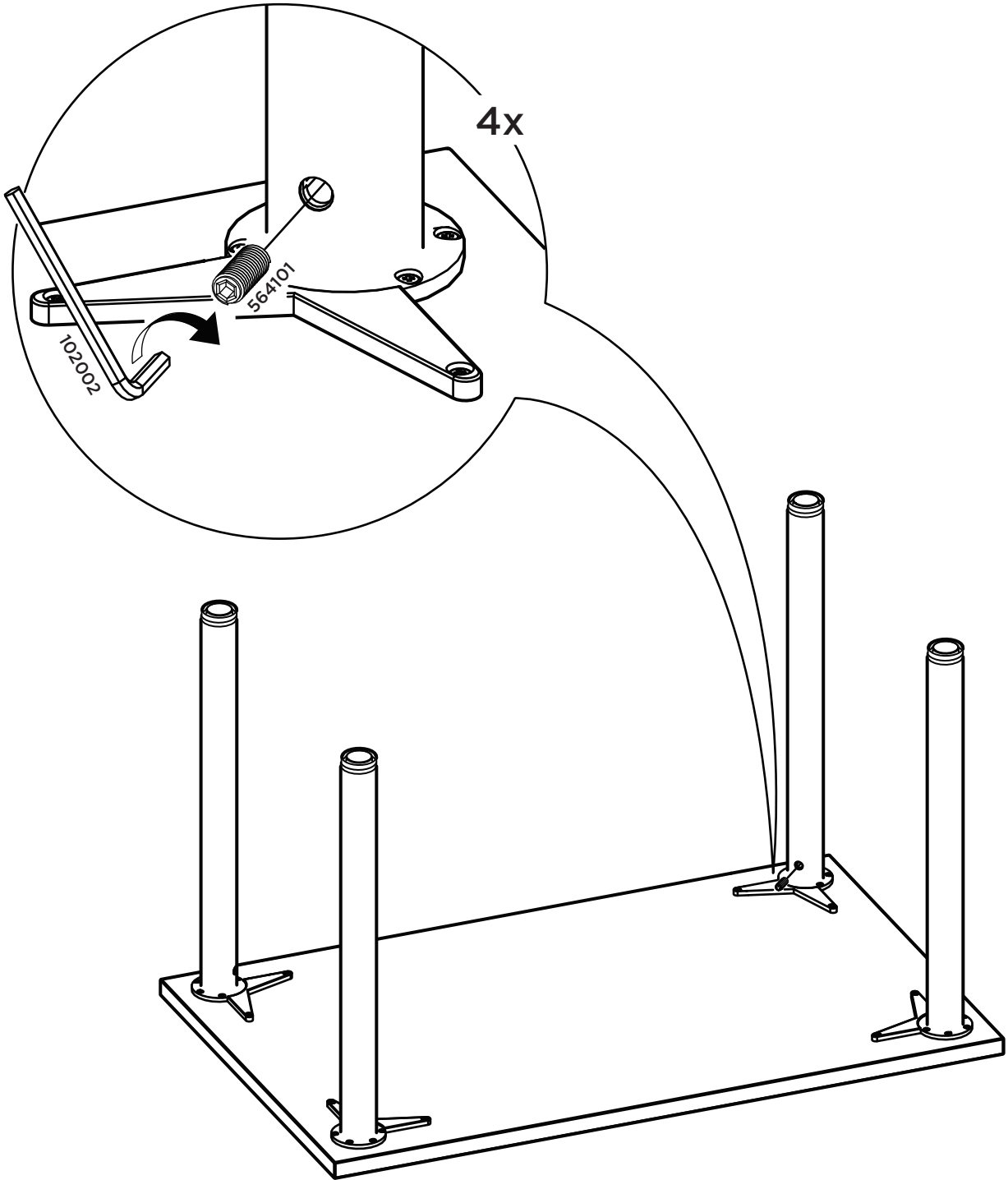
564101

4x



2





metercube