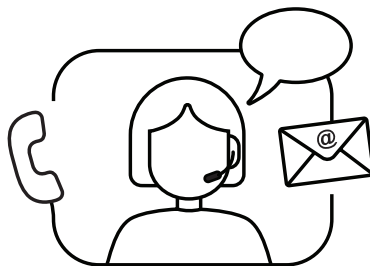
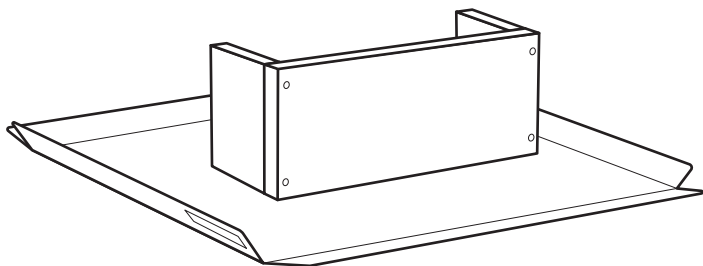
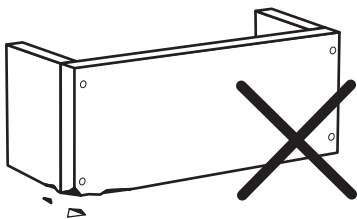
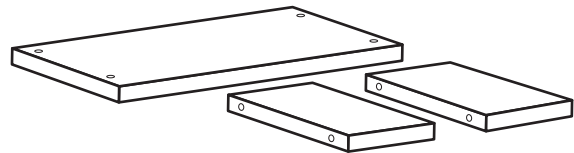
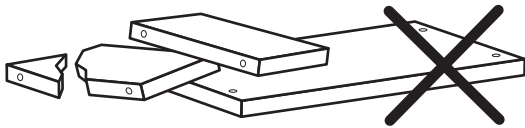
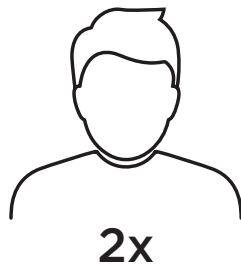
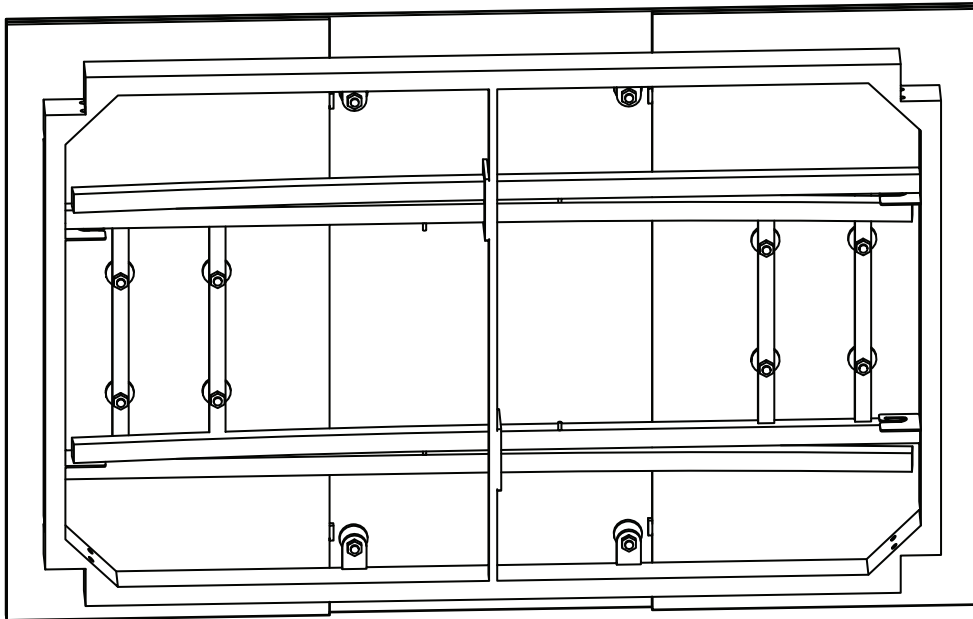


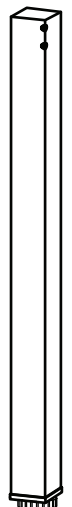
anselm

106.019.01
106.019.02

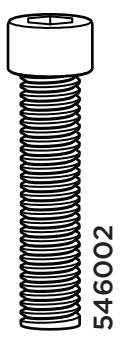




1x



4x



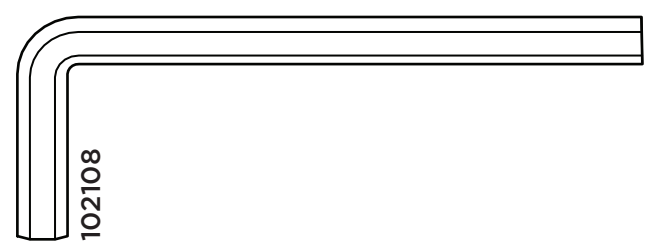
546002

8x



366010

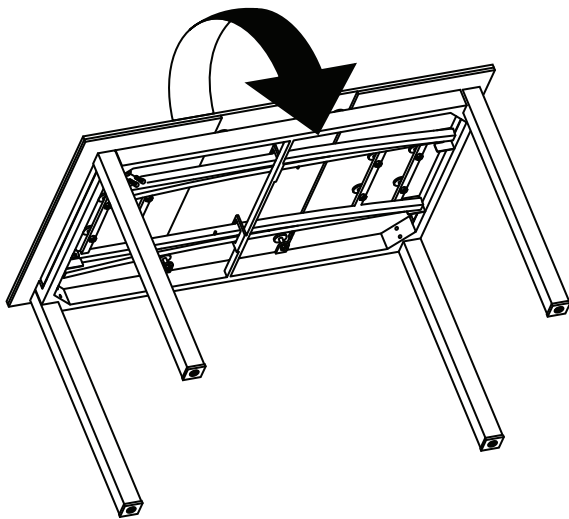
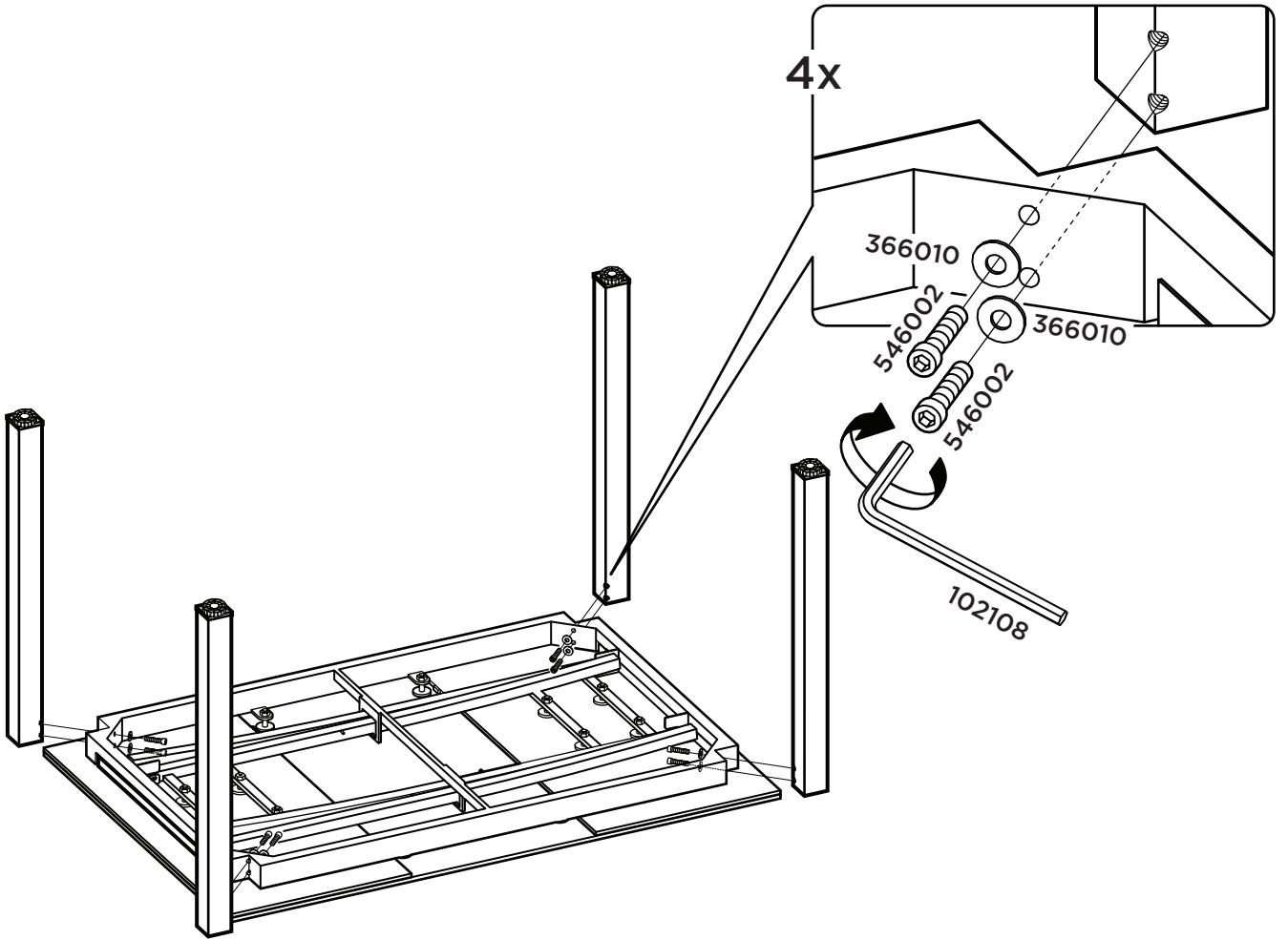
8x



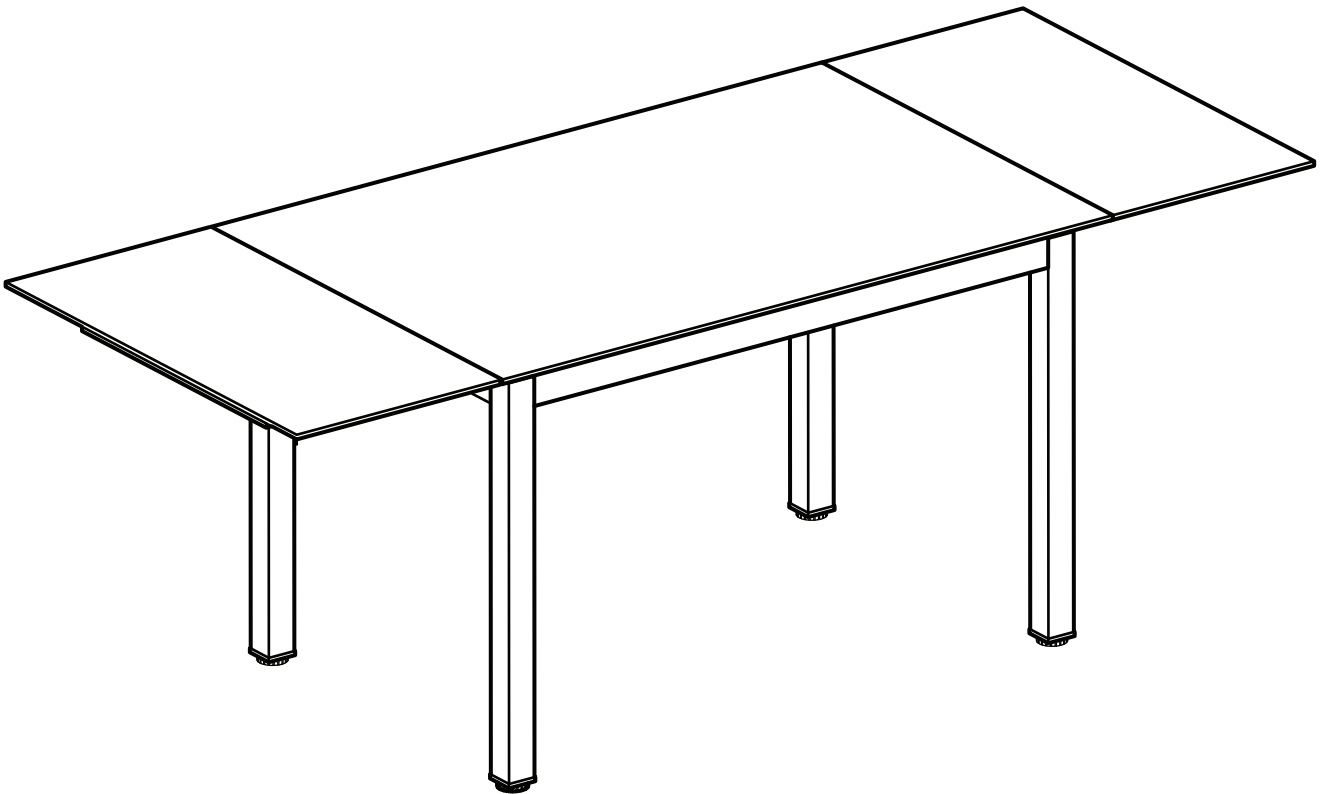
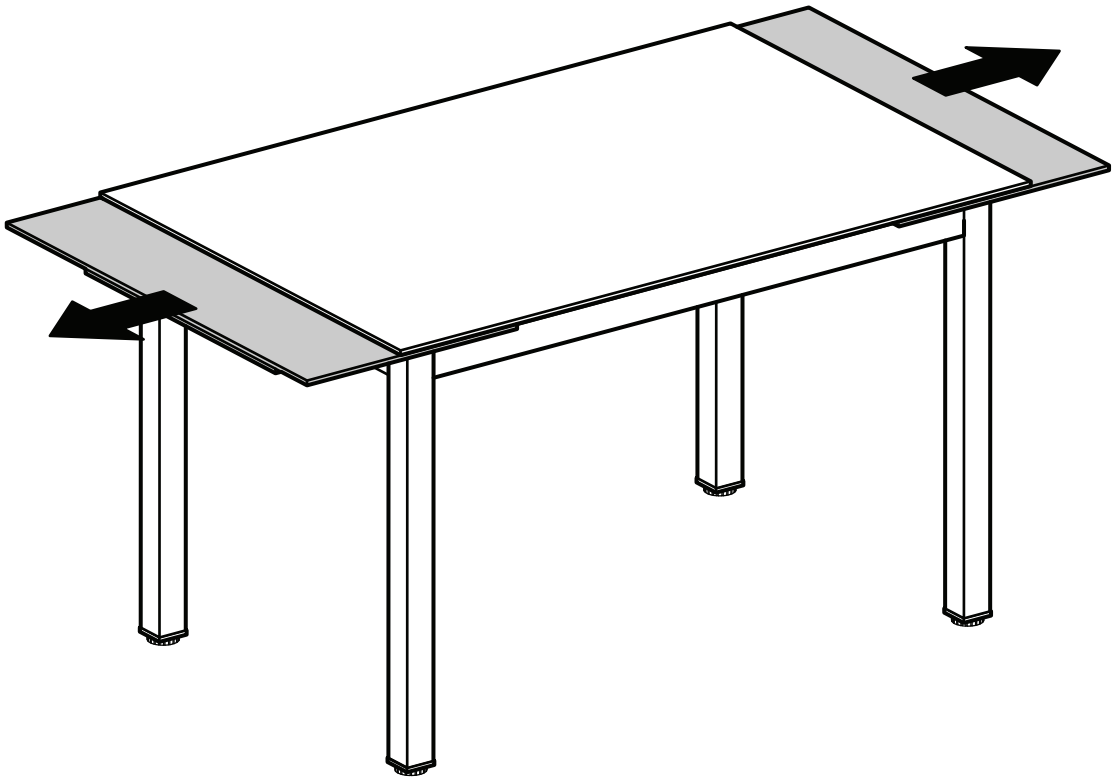
102108

1x

1



2



metercube