

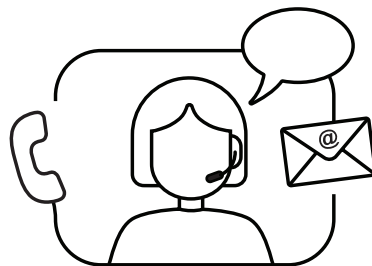
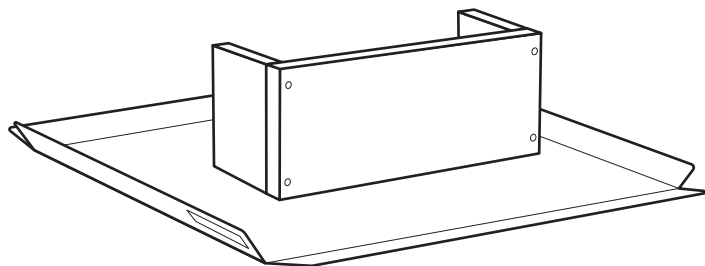
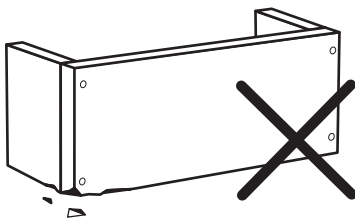
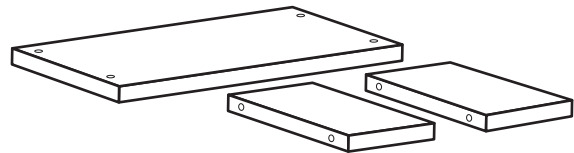
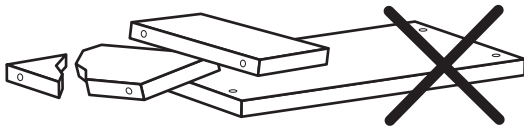
**gris**

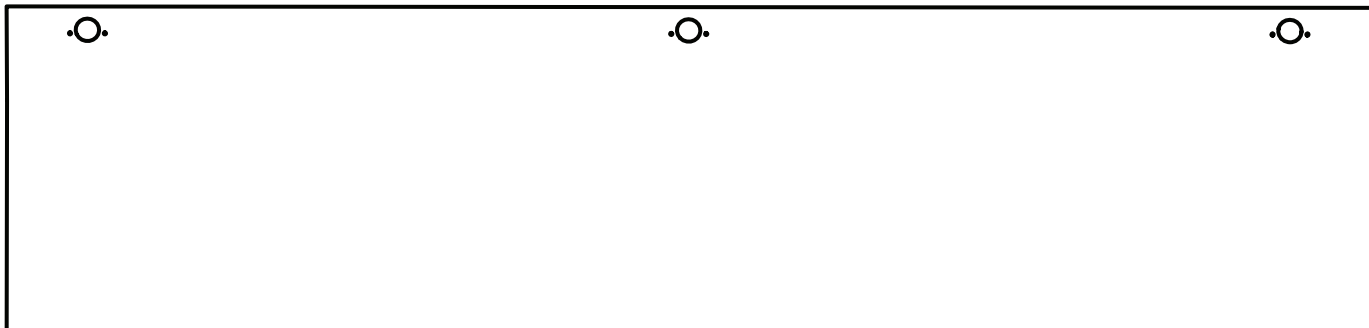
111.002.01

metercube

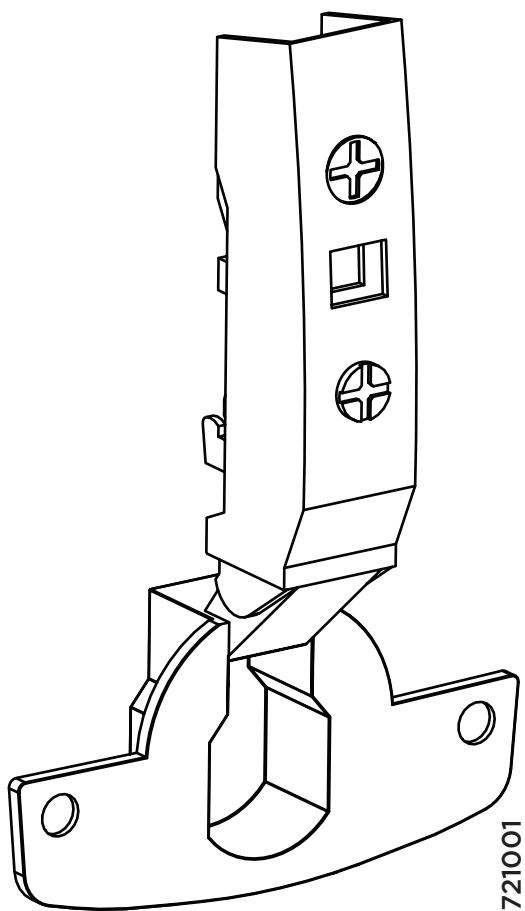


2x



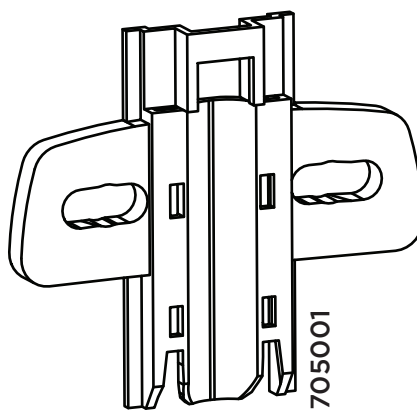


1x



721001

3x



705001

3x



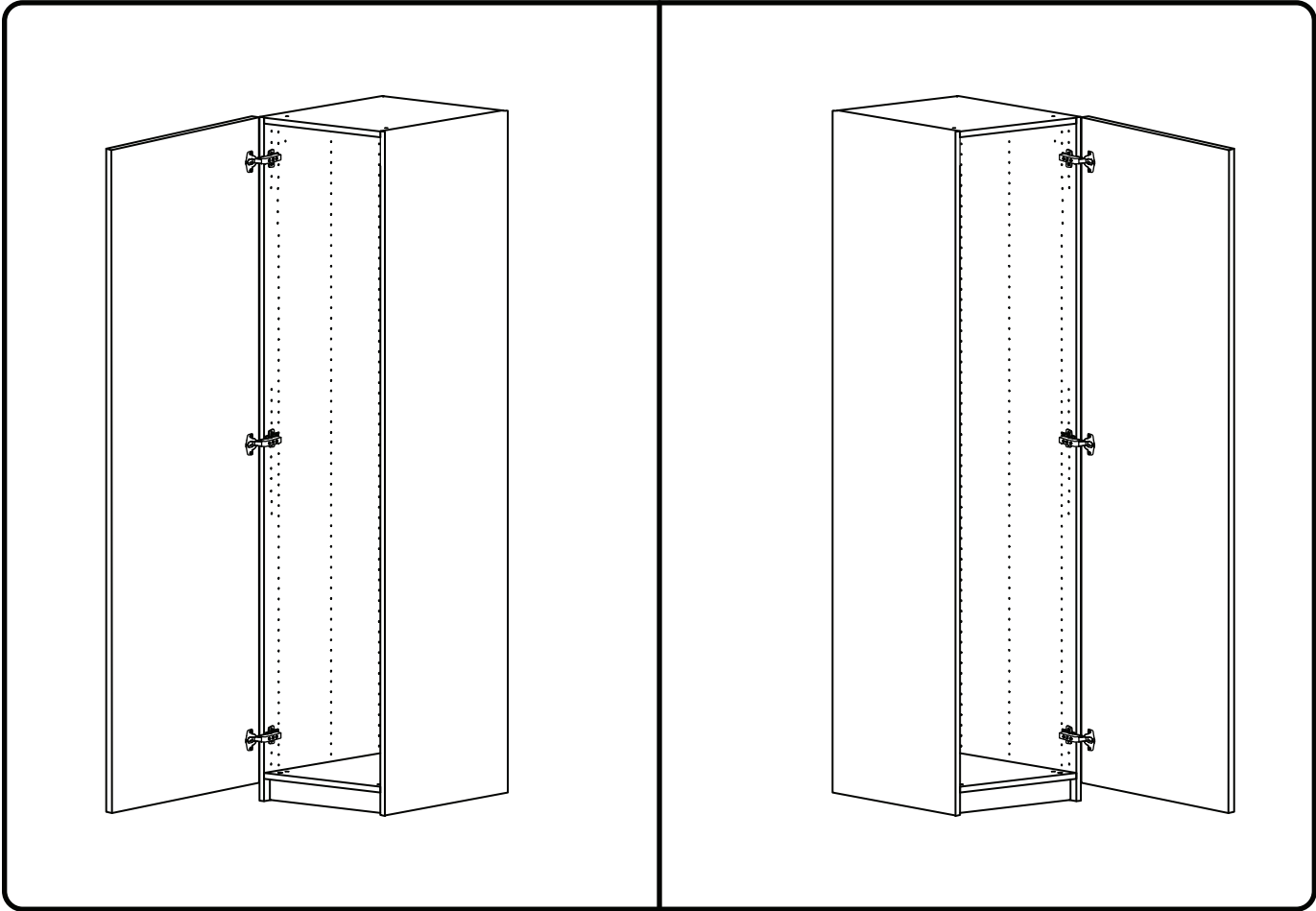
526013

6x

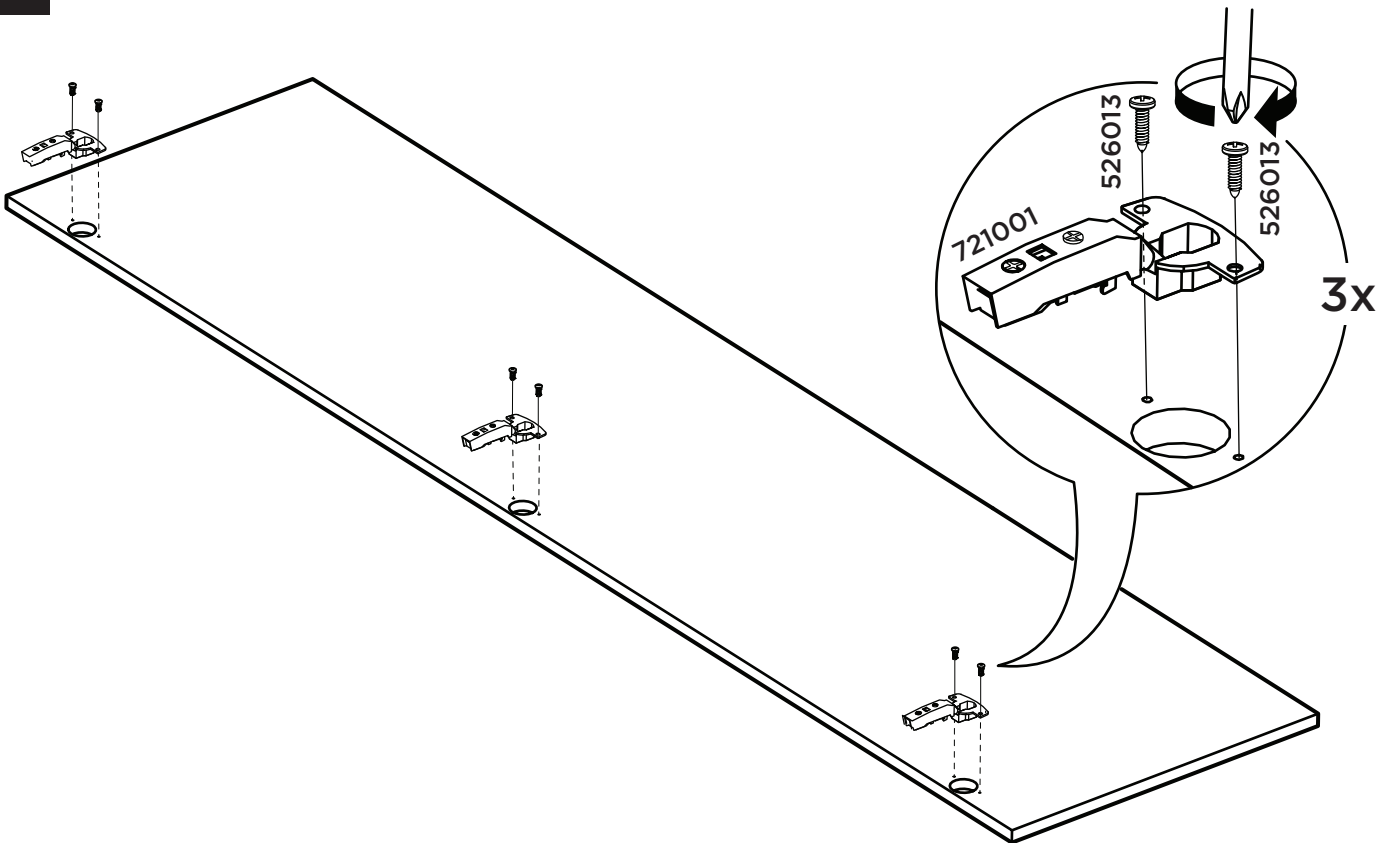


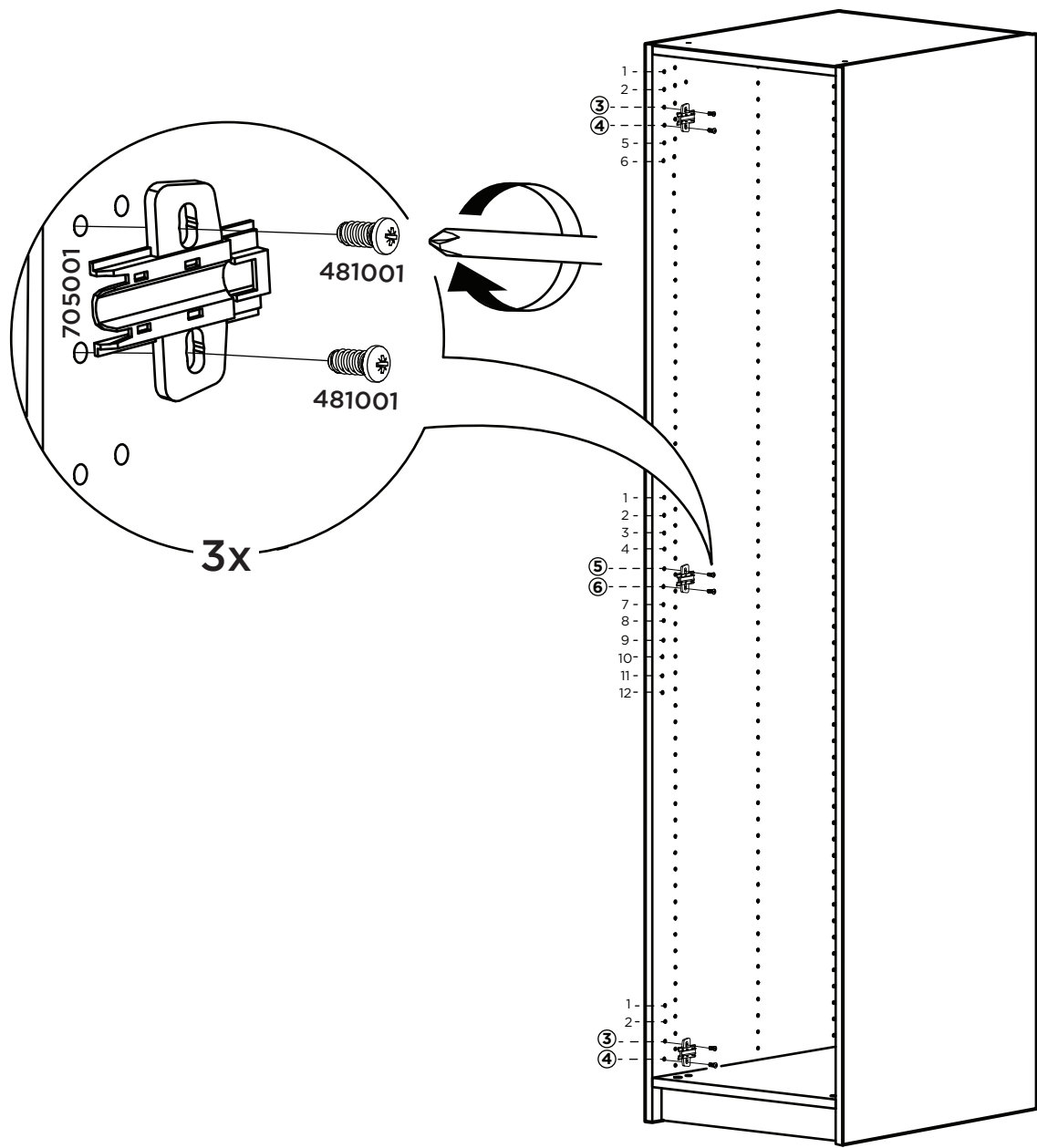
481001

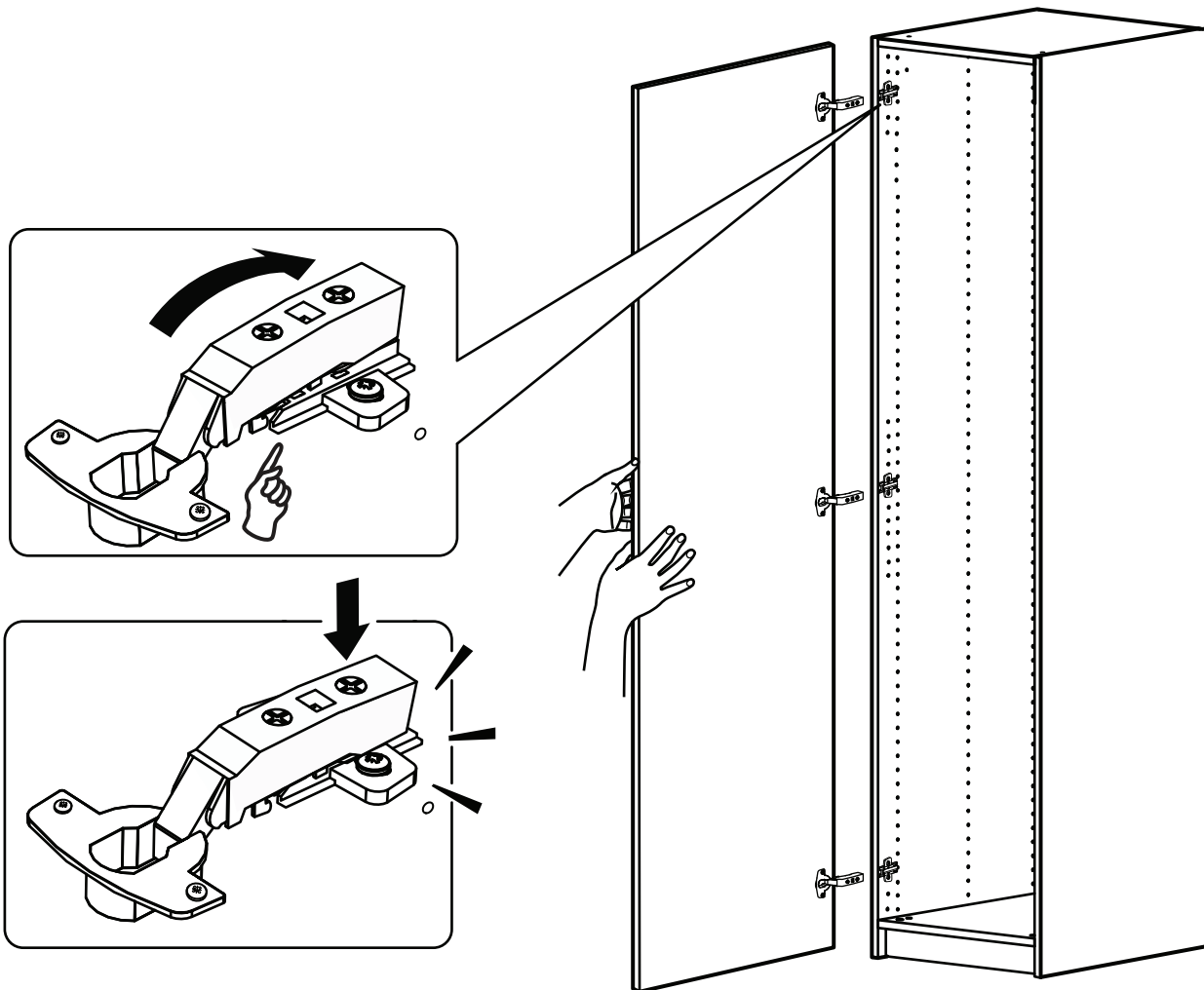
6x

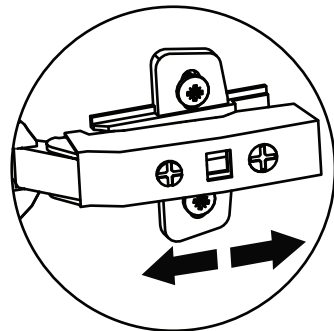
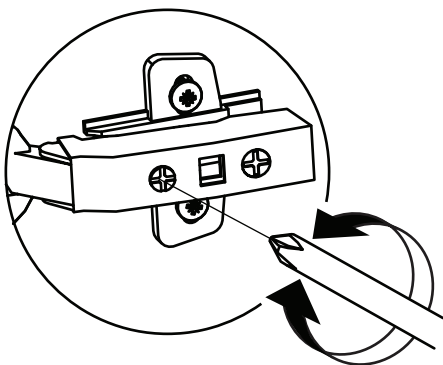
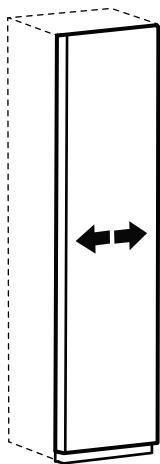
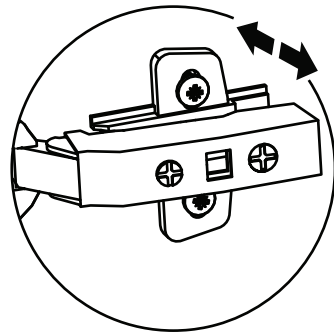
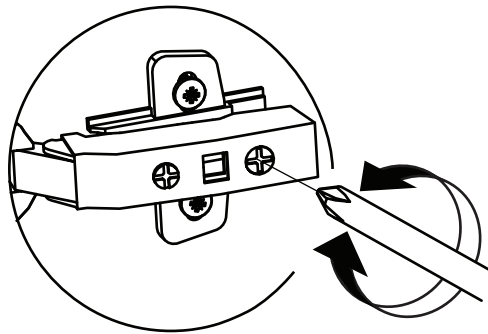
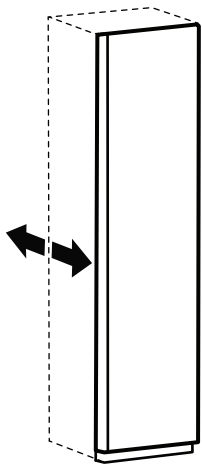
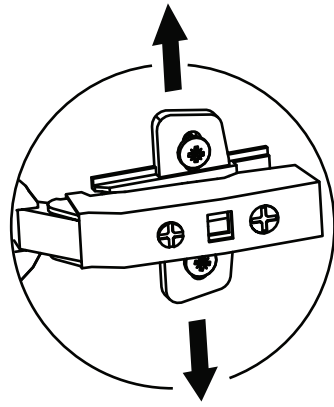
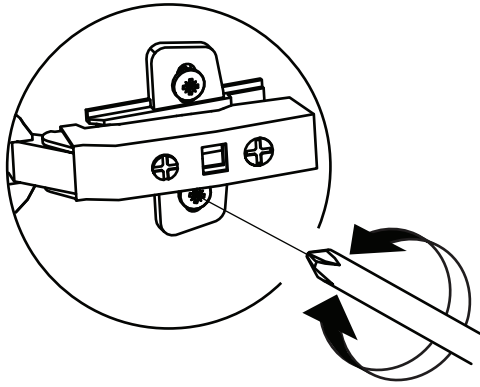
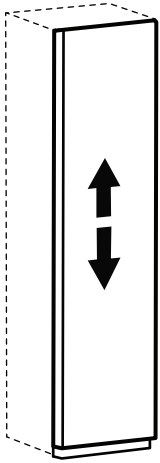


1









**metercube**