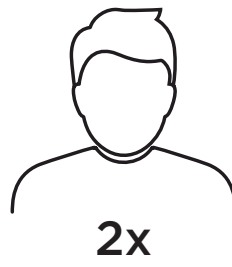


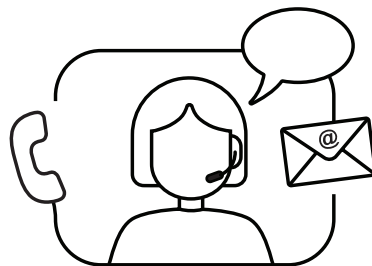
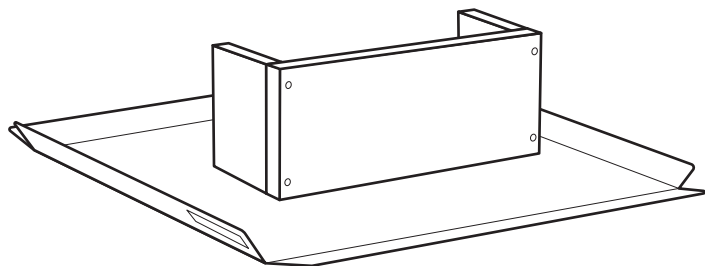
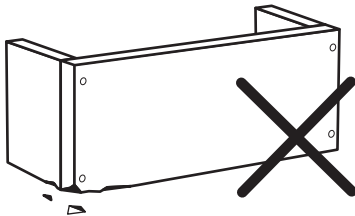
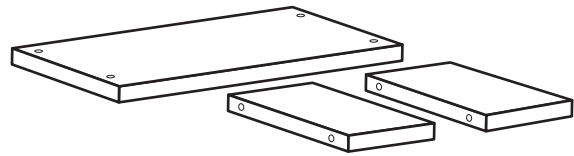
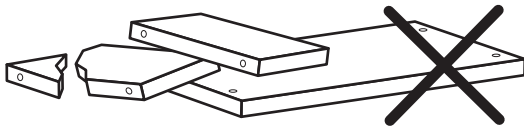
# fluence

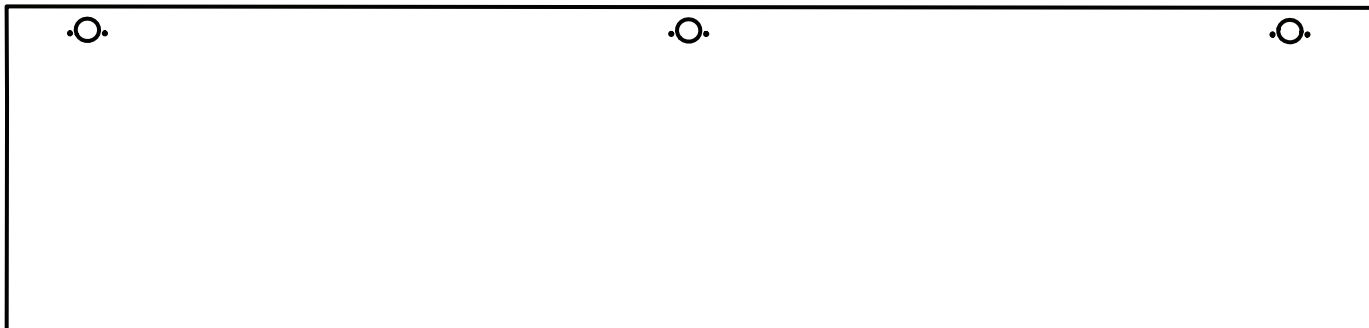
111.004.01  
111.004.02

metercube

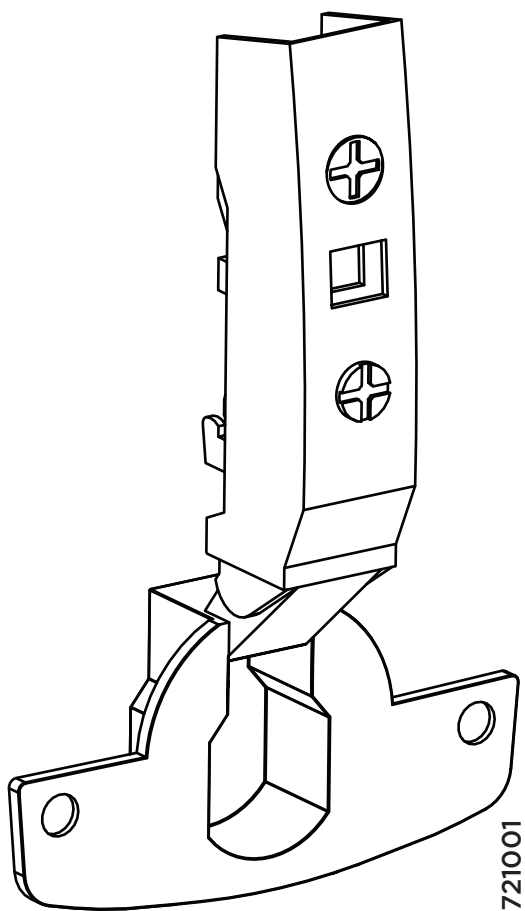


2x

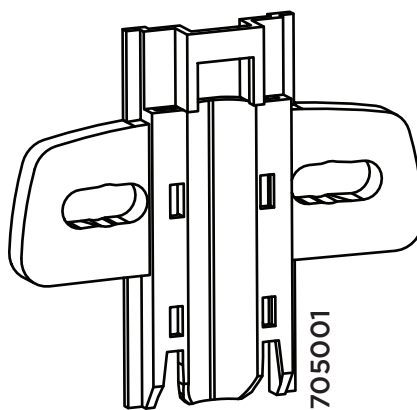




1x



3x



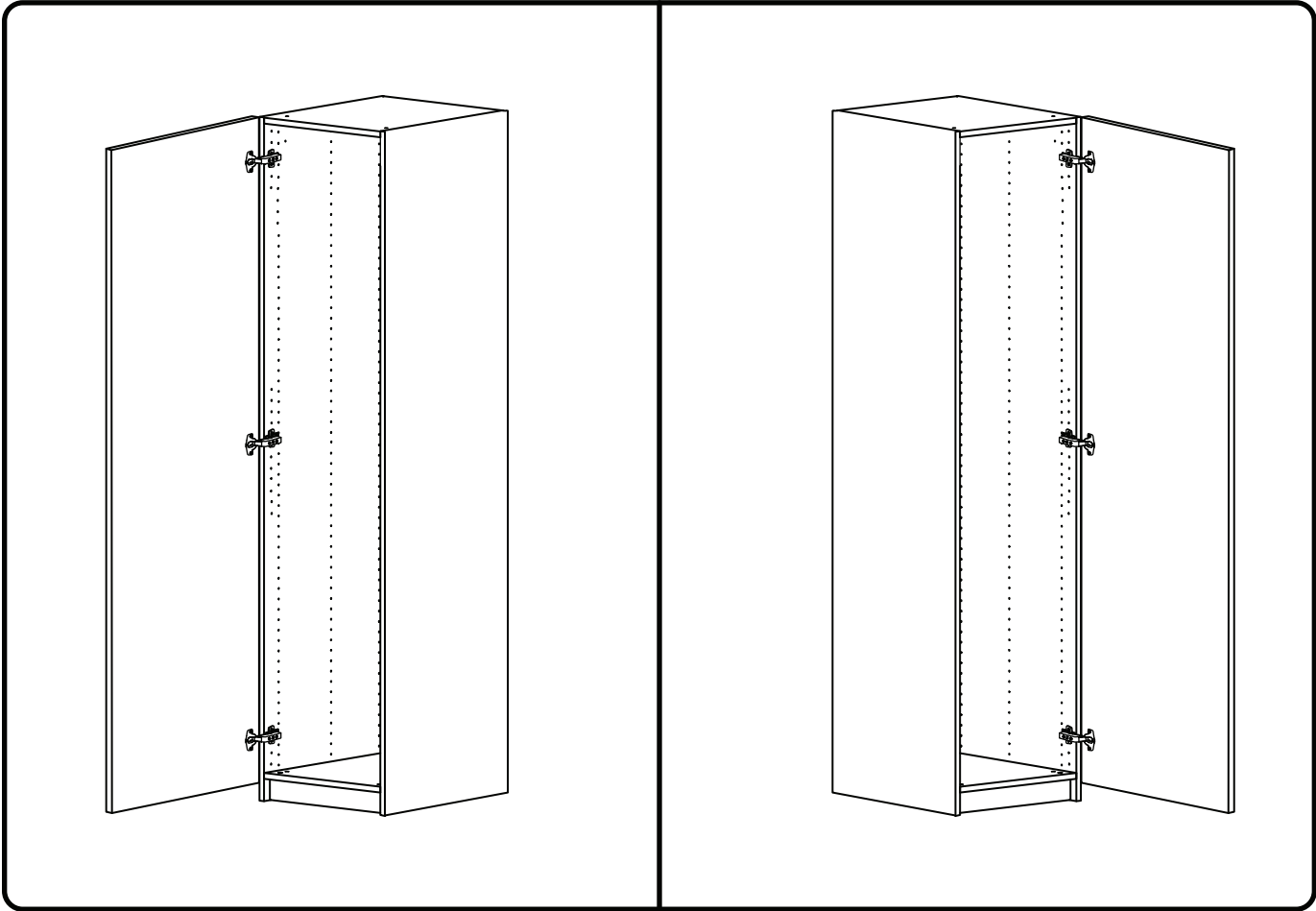
3x



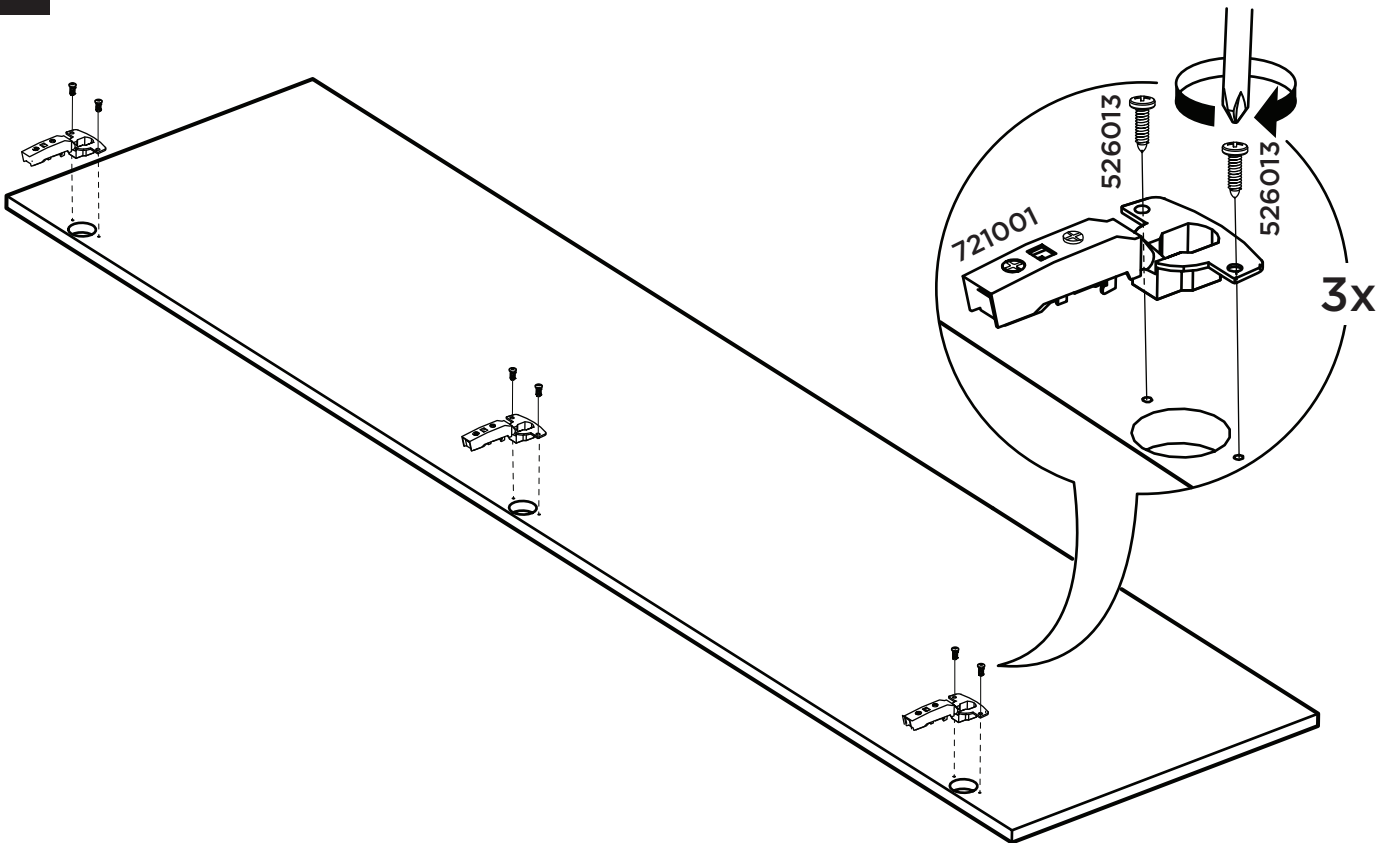
6x

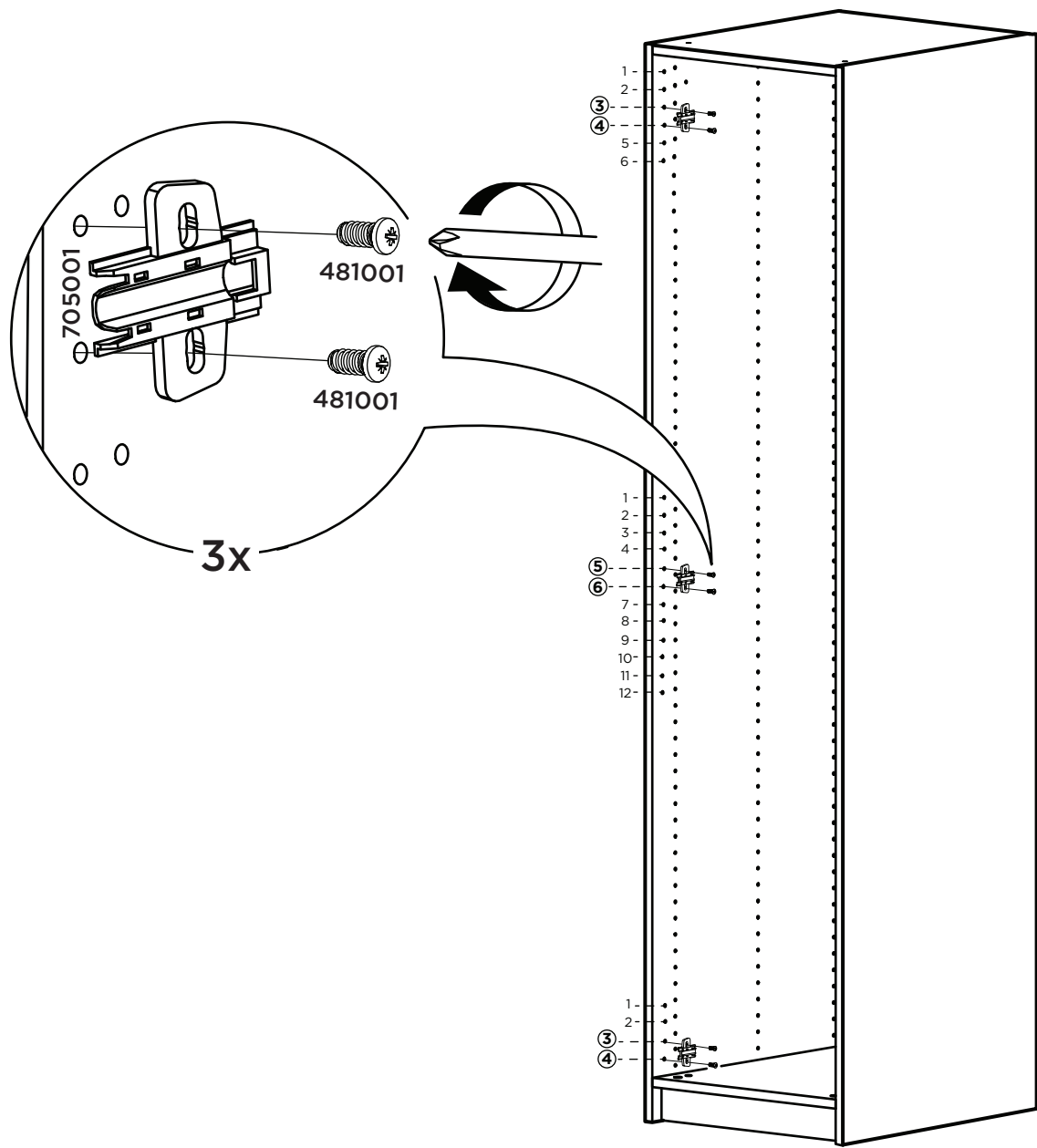


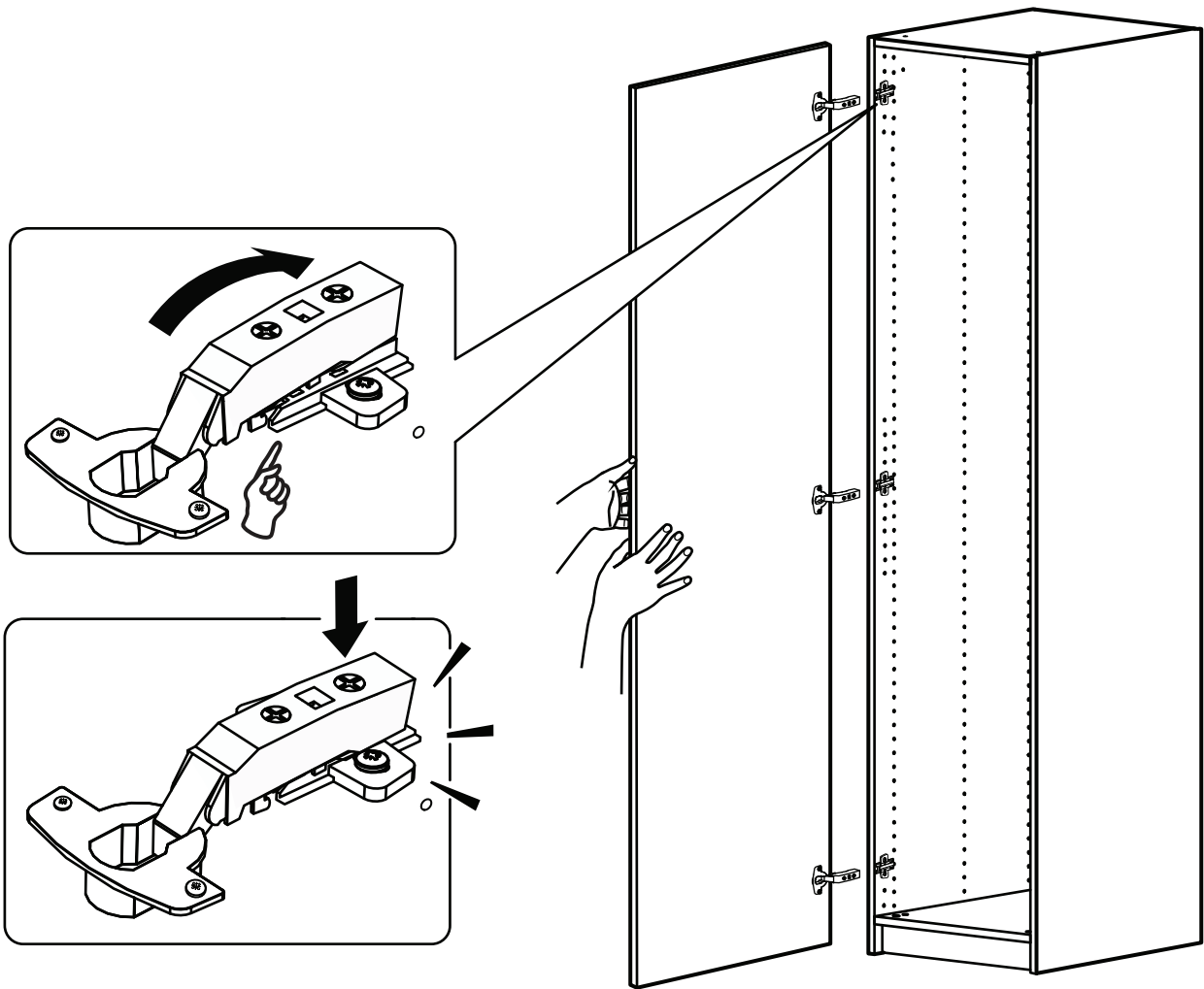
6x

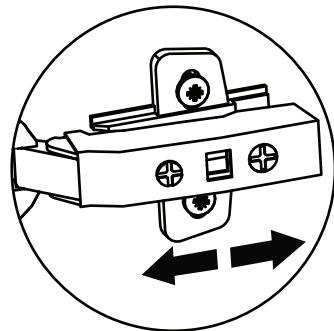
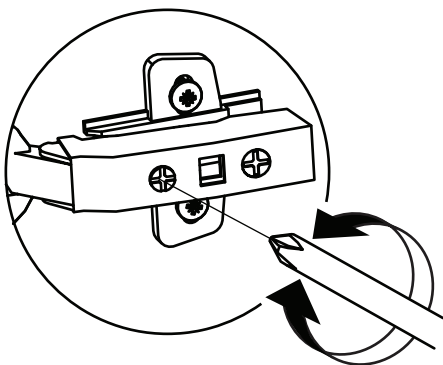
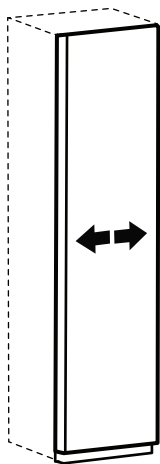
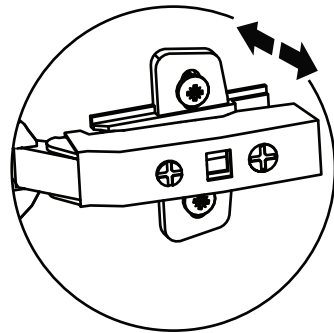
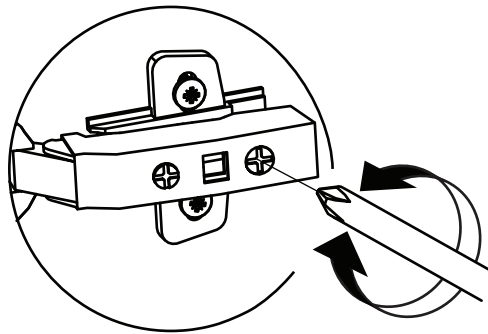
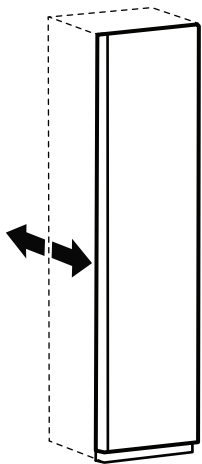
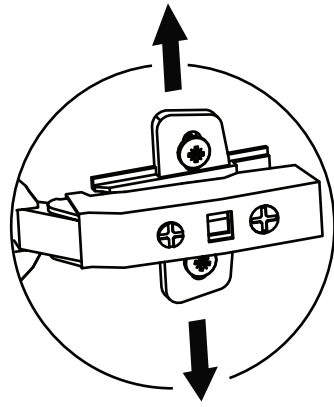
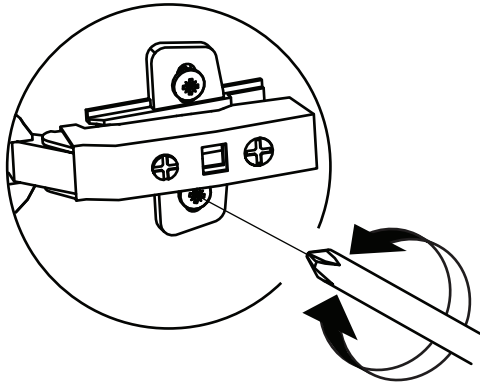
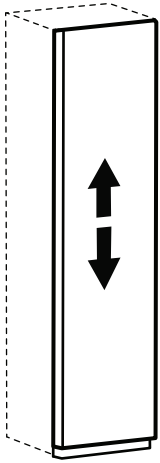


1









**metercube**