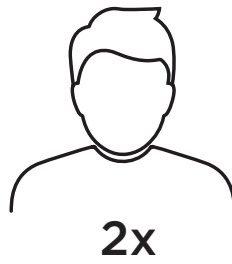


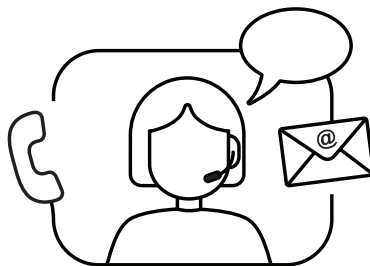
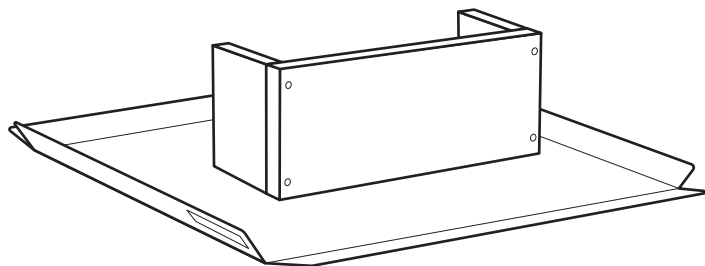
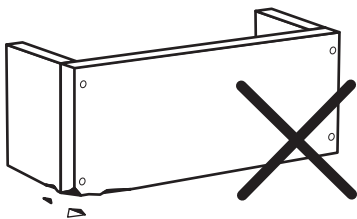
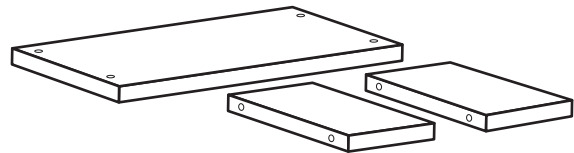
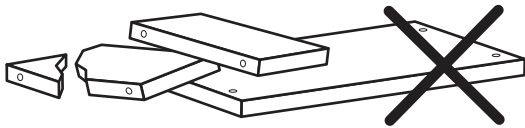
fluence

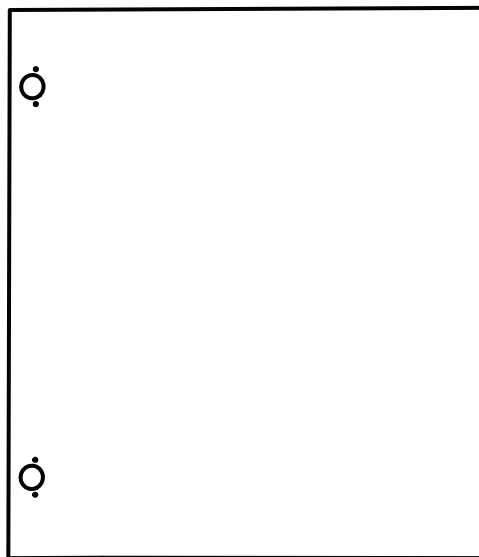
111.004.05

111.004.06

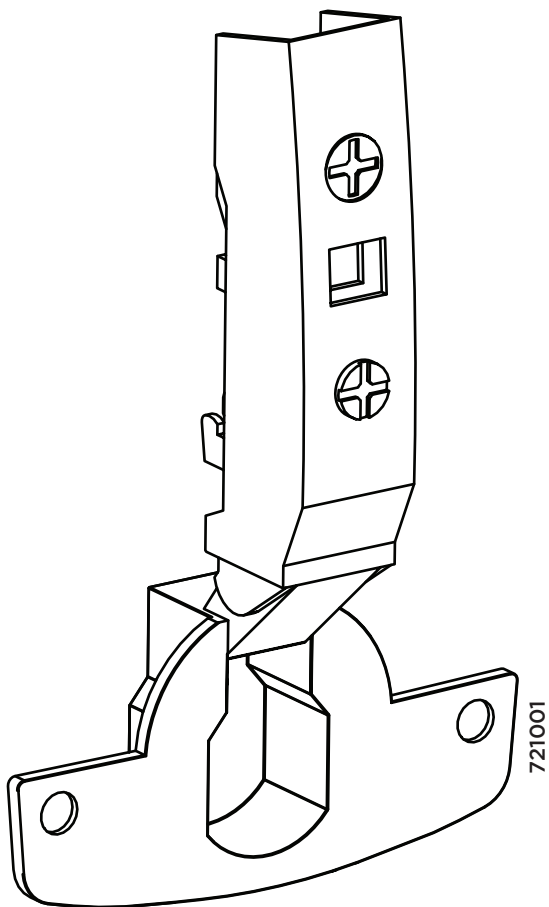


2x

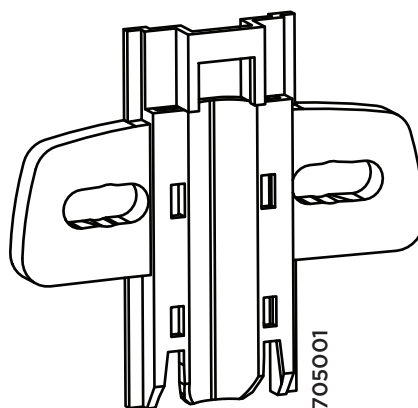




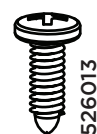
1x



2x



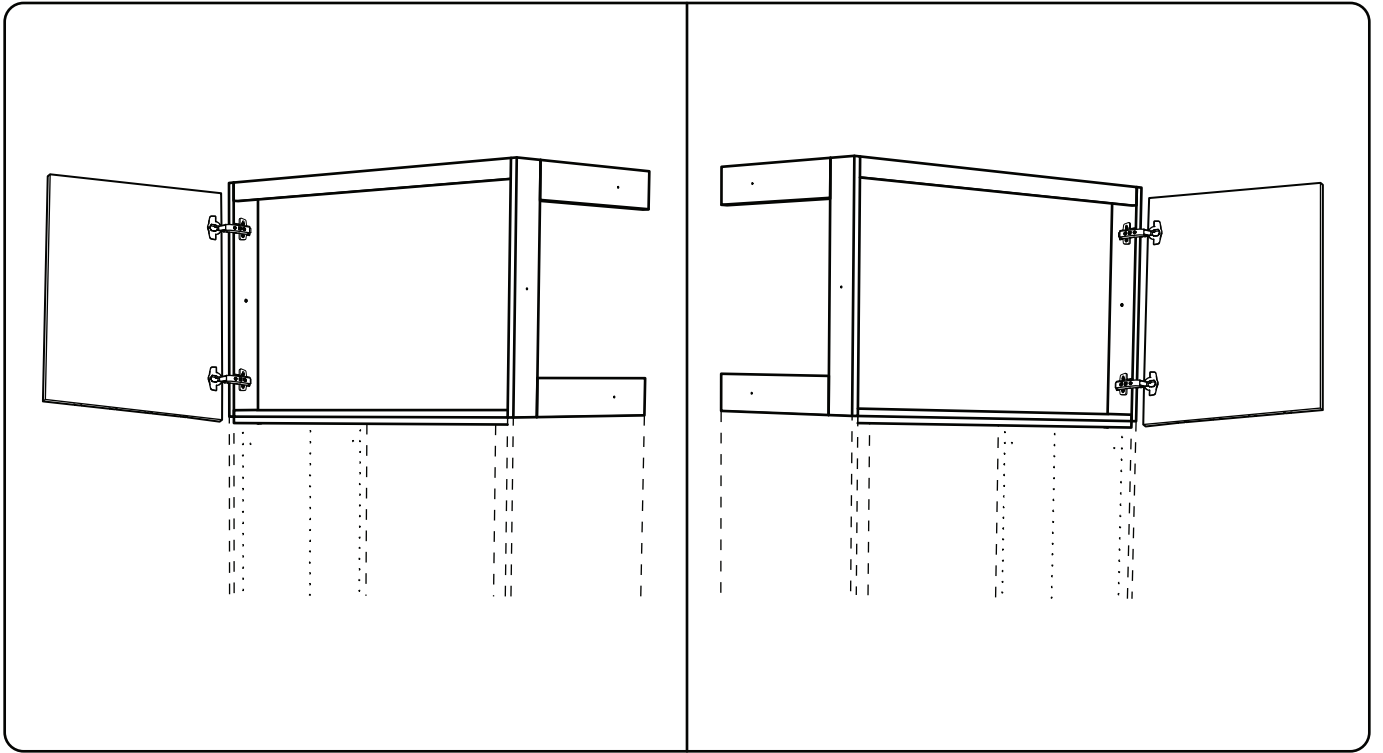
2x



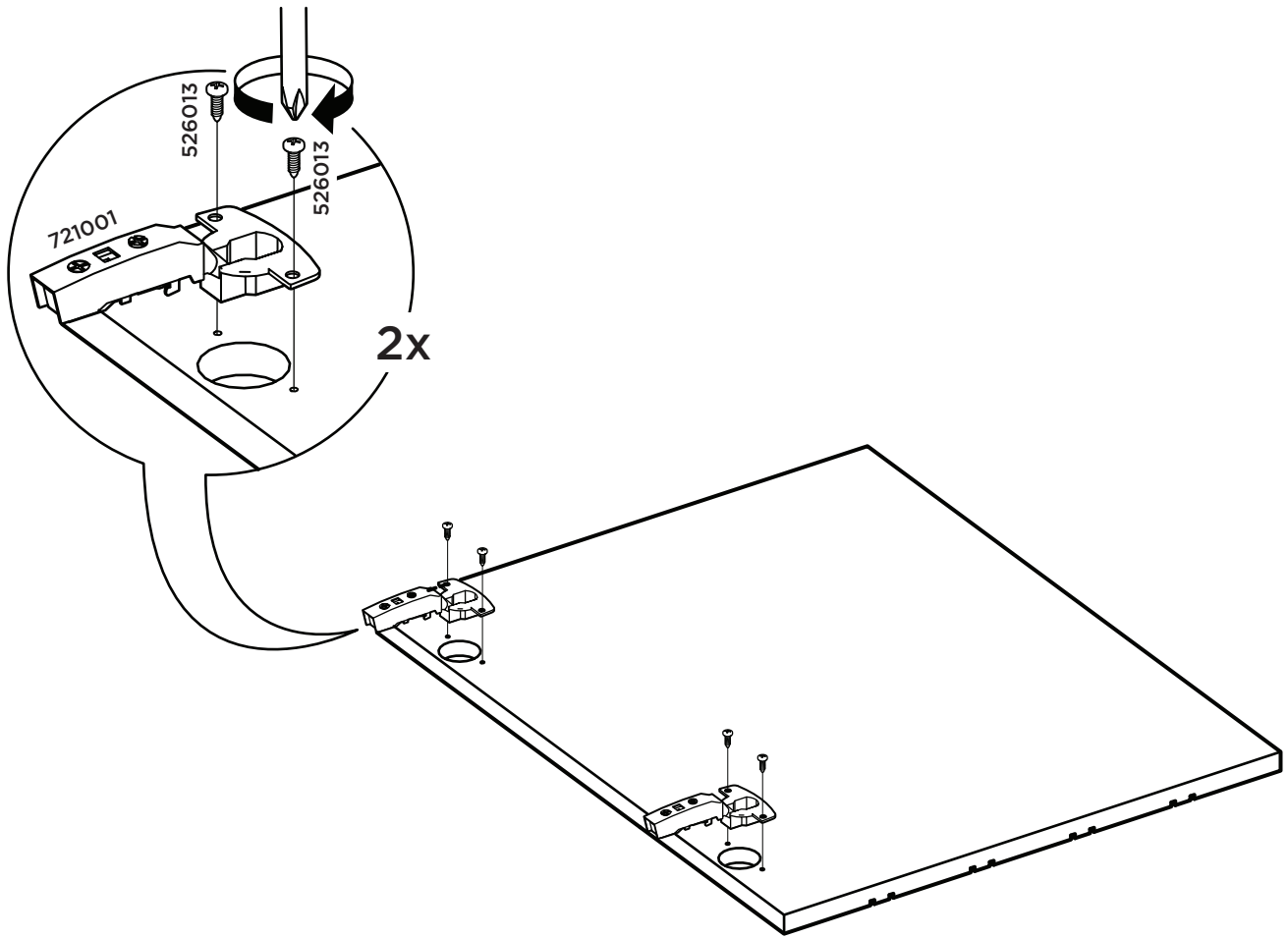
4x

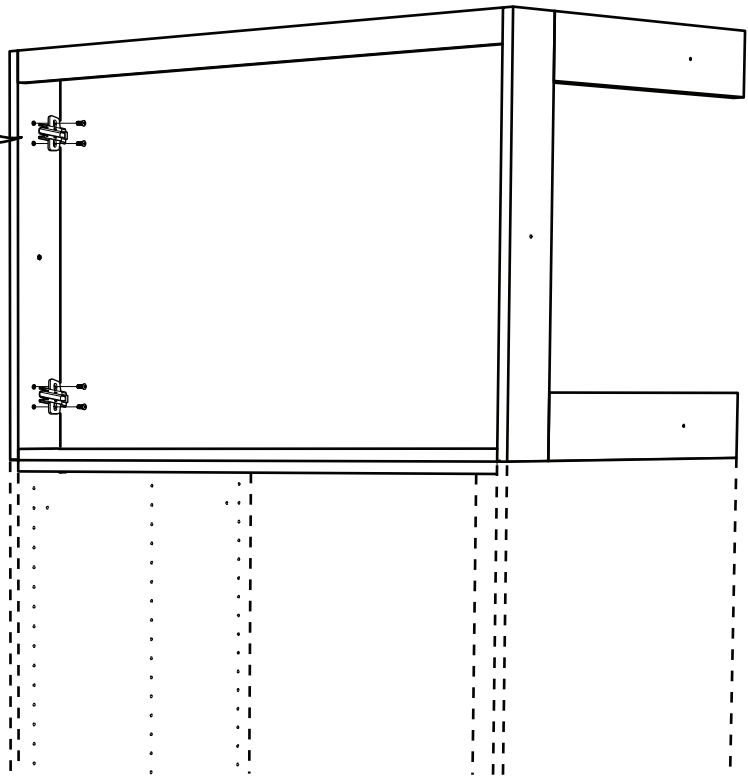
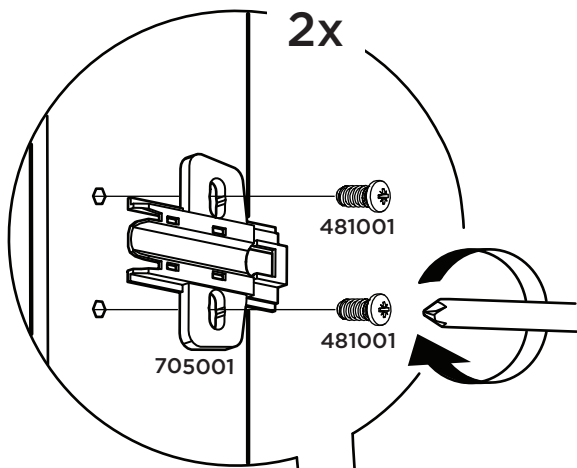


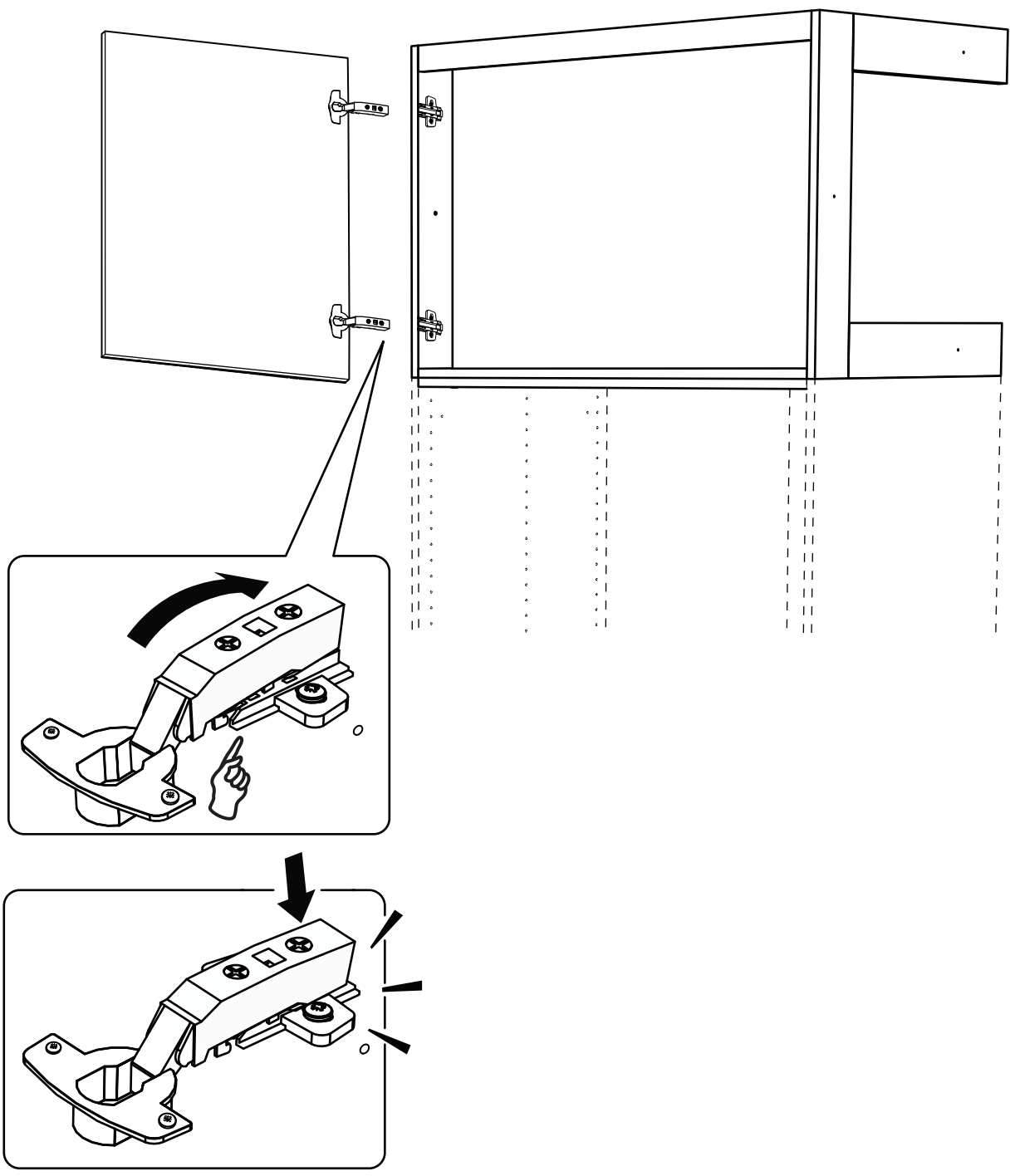
4x

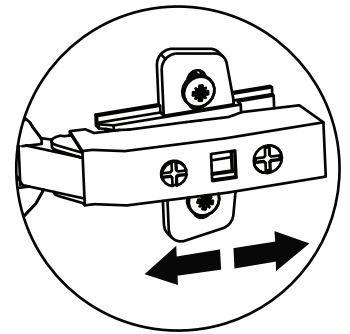
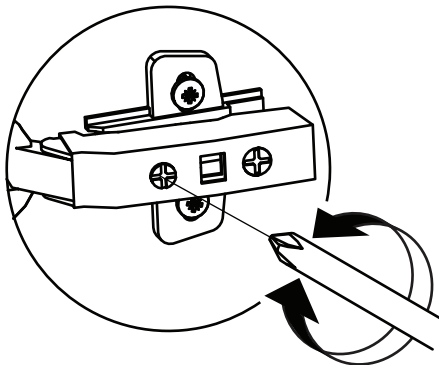
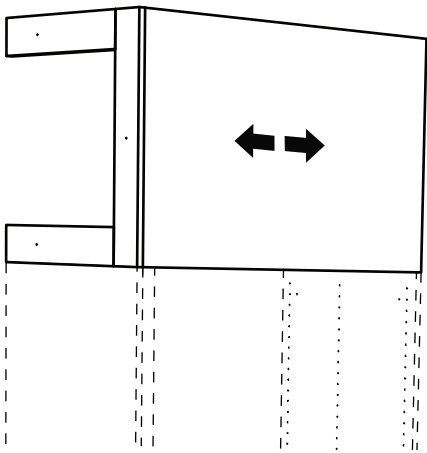
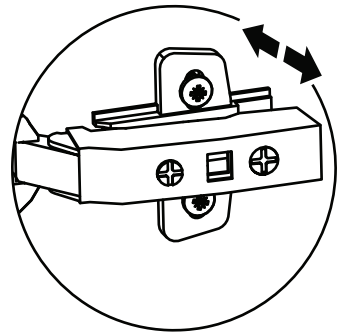
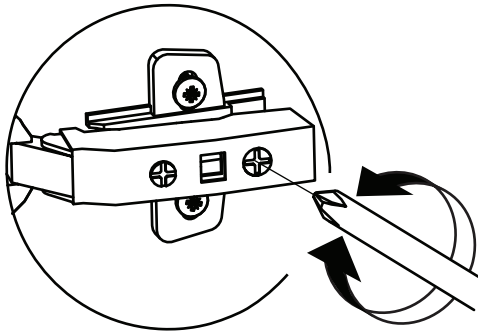
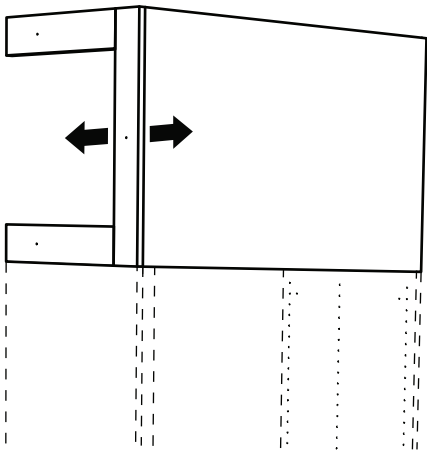
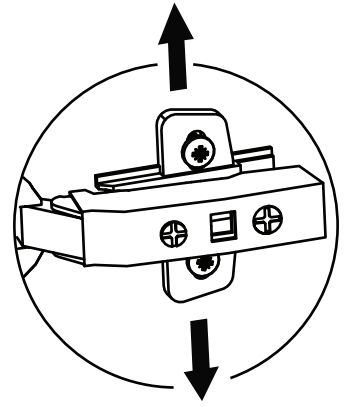
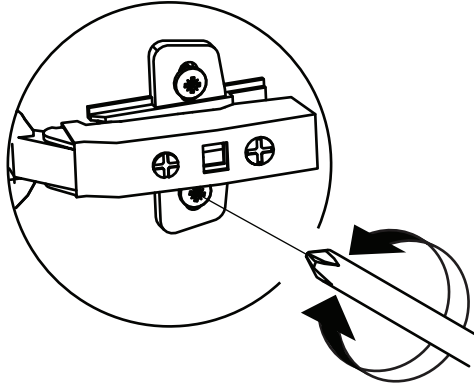
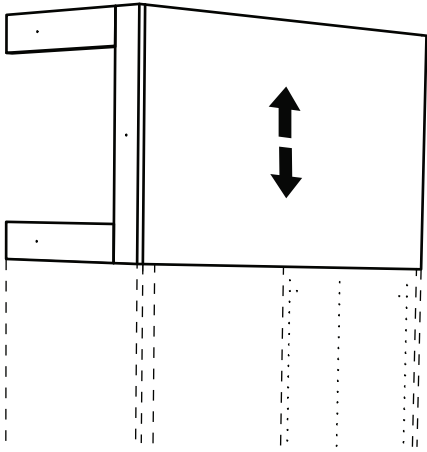


1









metercube