

# uban

112.001.01

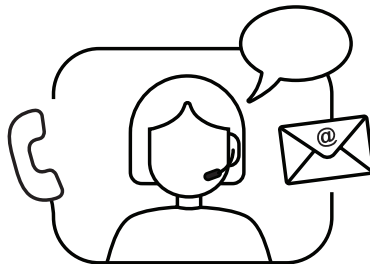
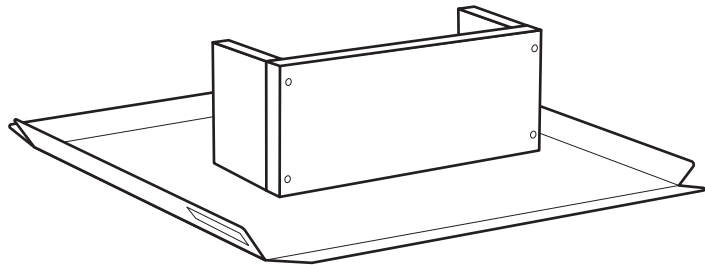
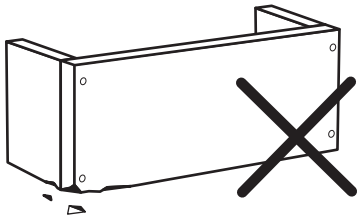
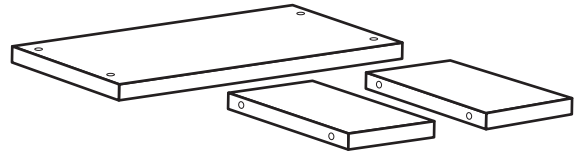
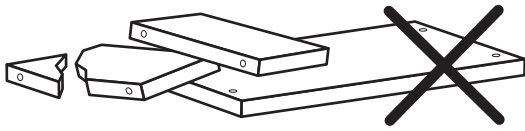
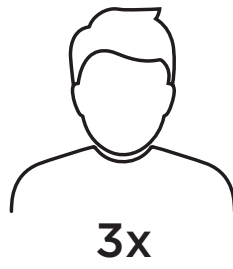
112.001.02

112.001.03

112.001.04

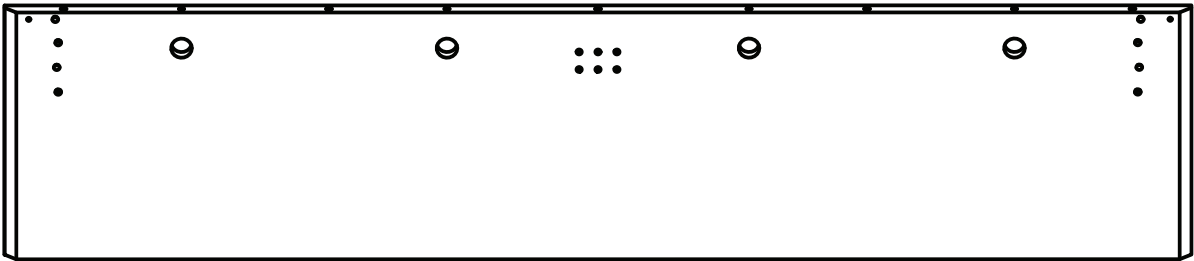
112.001.05

112.001.06

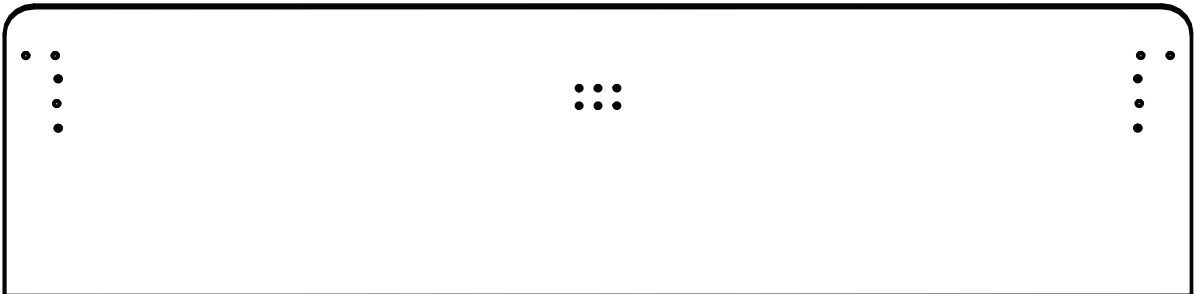




1x



1x



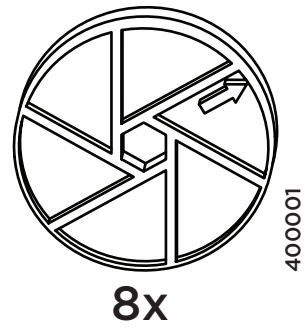
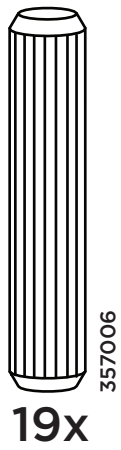
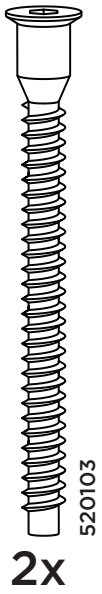
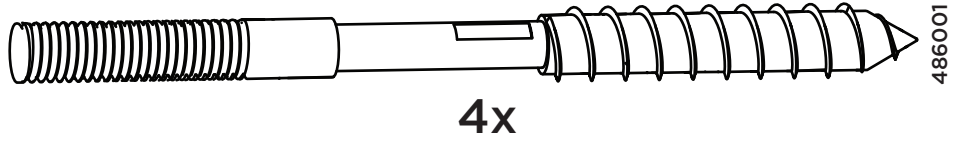
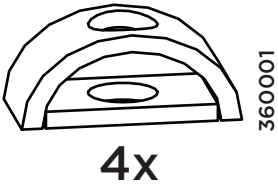
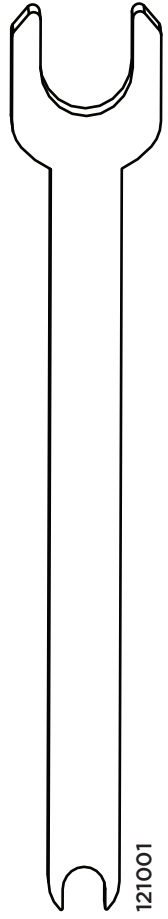
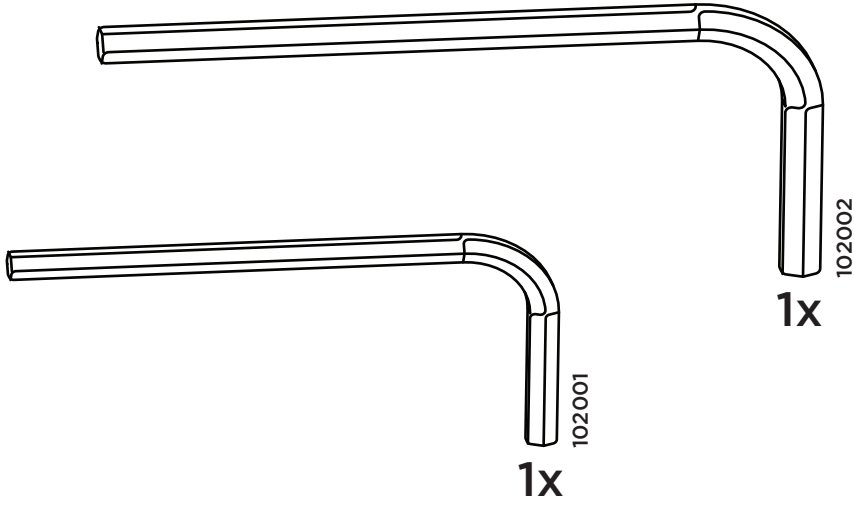
1x

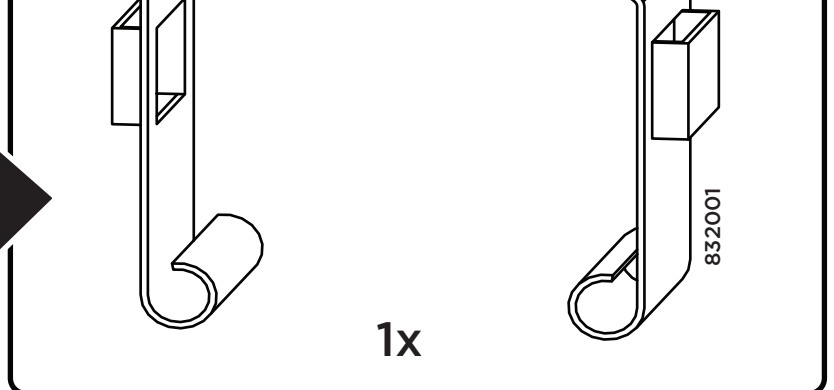
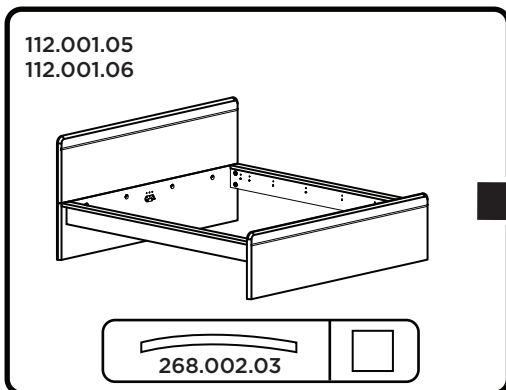
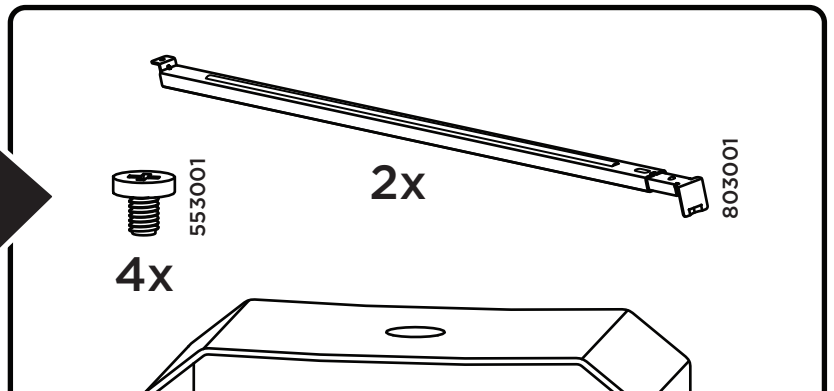
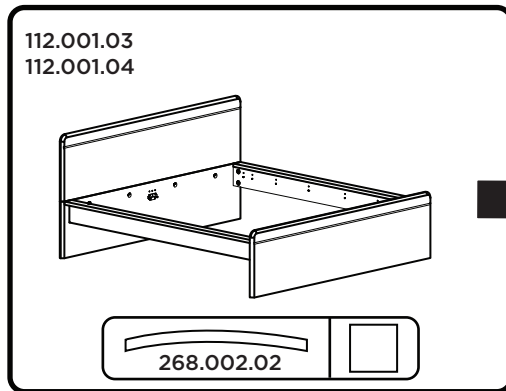
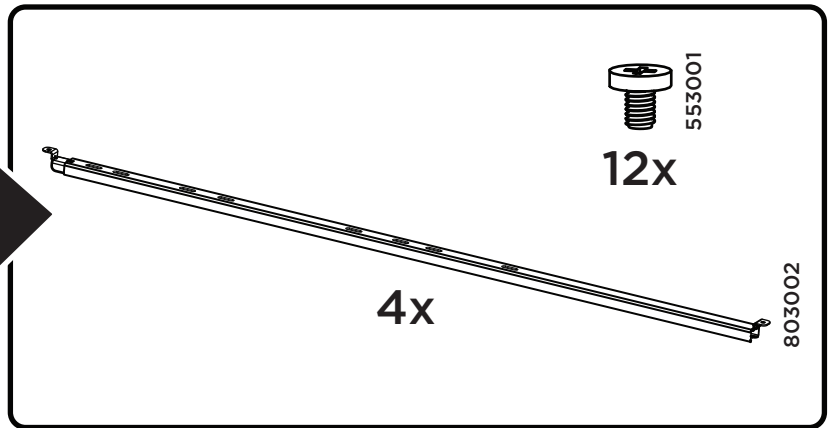
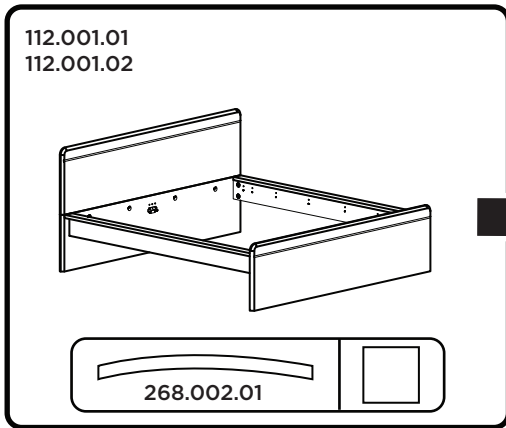
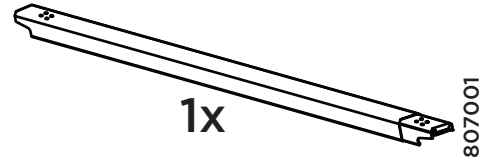
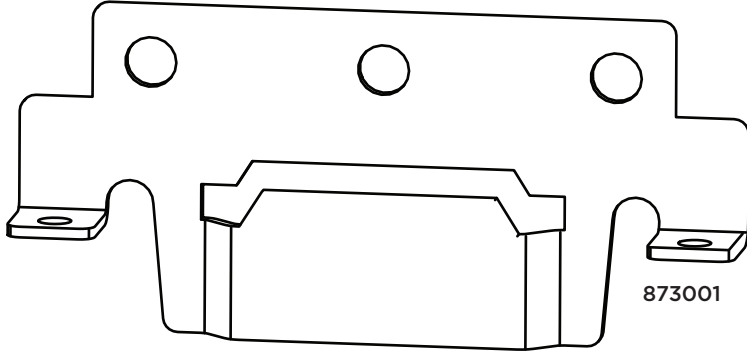
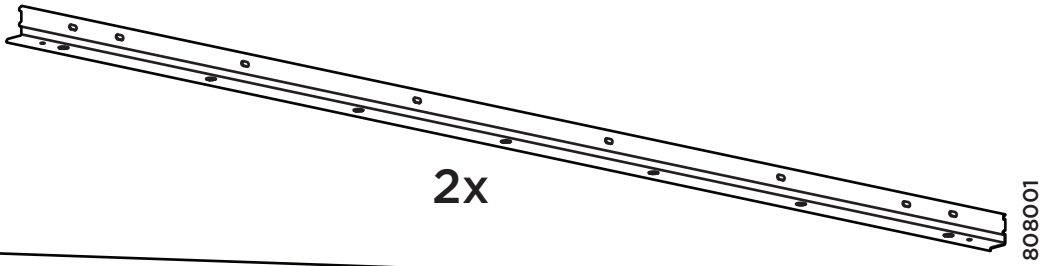


2x

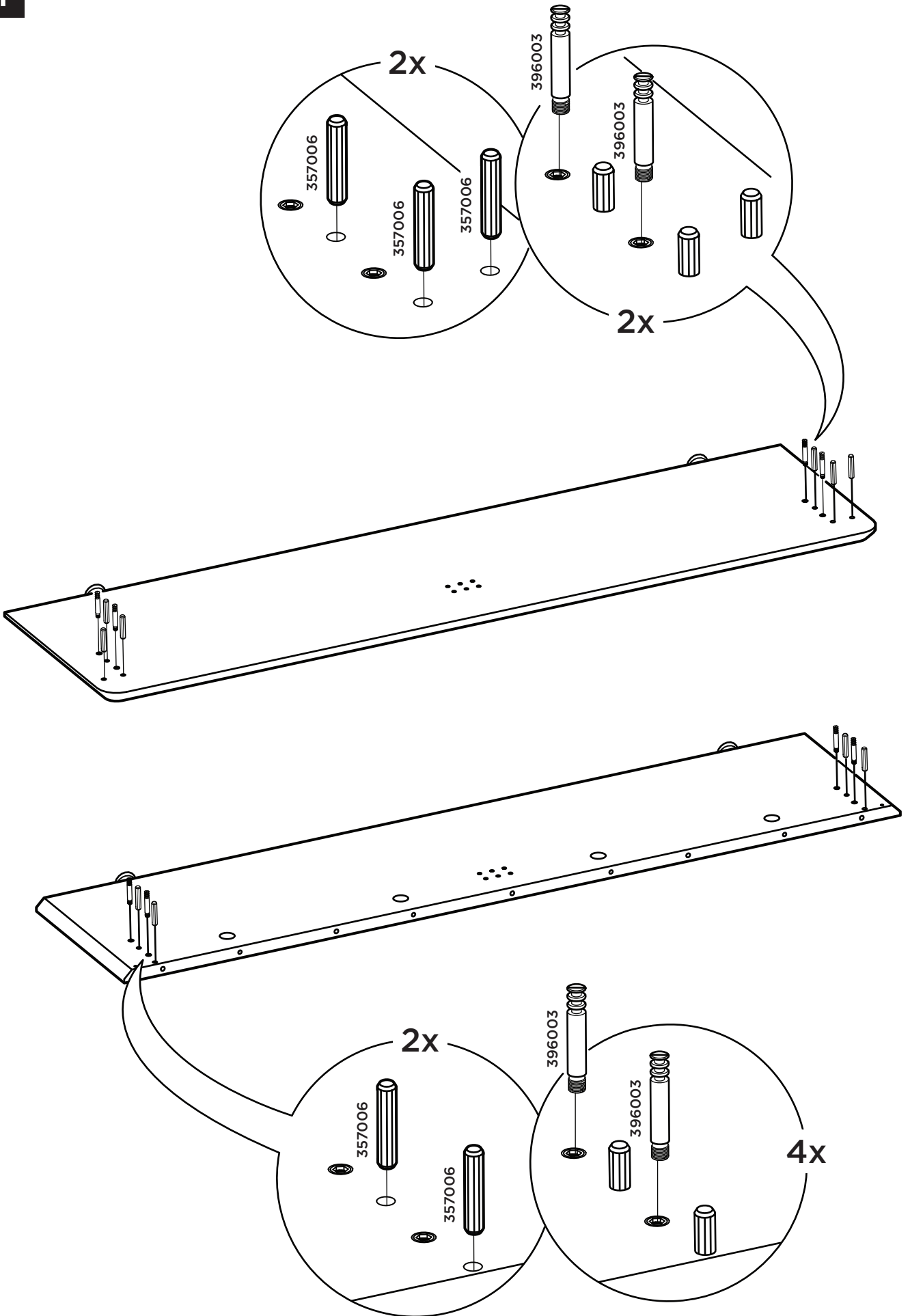


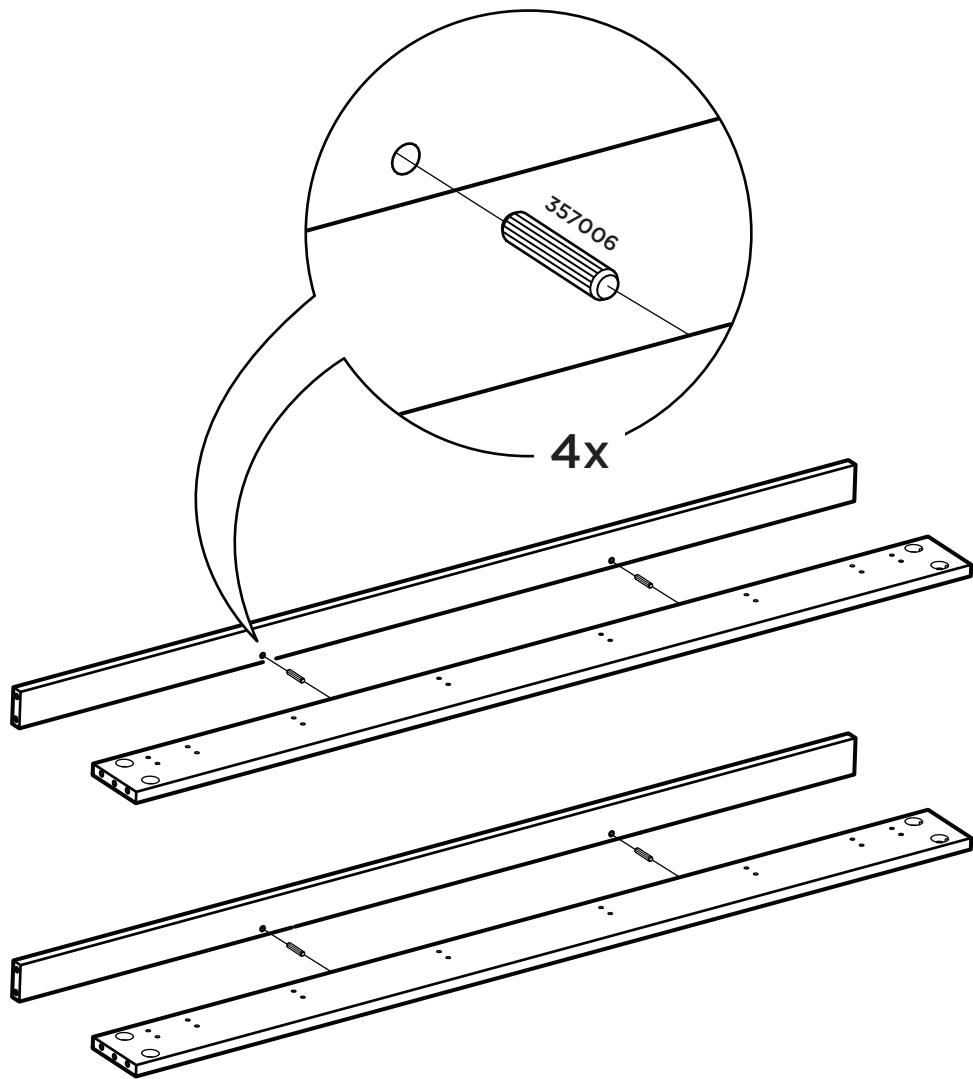
2x

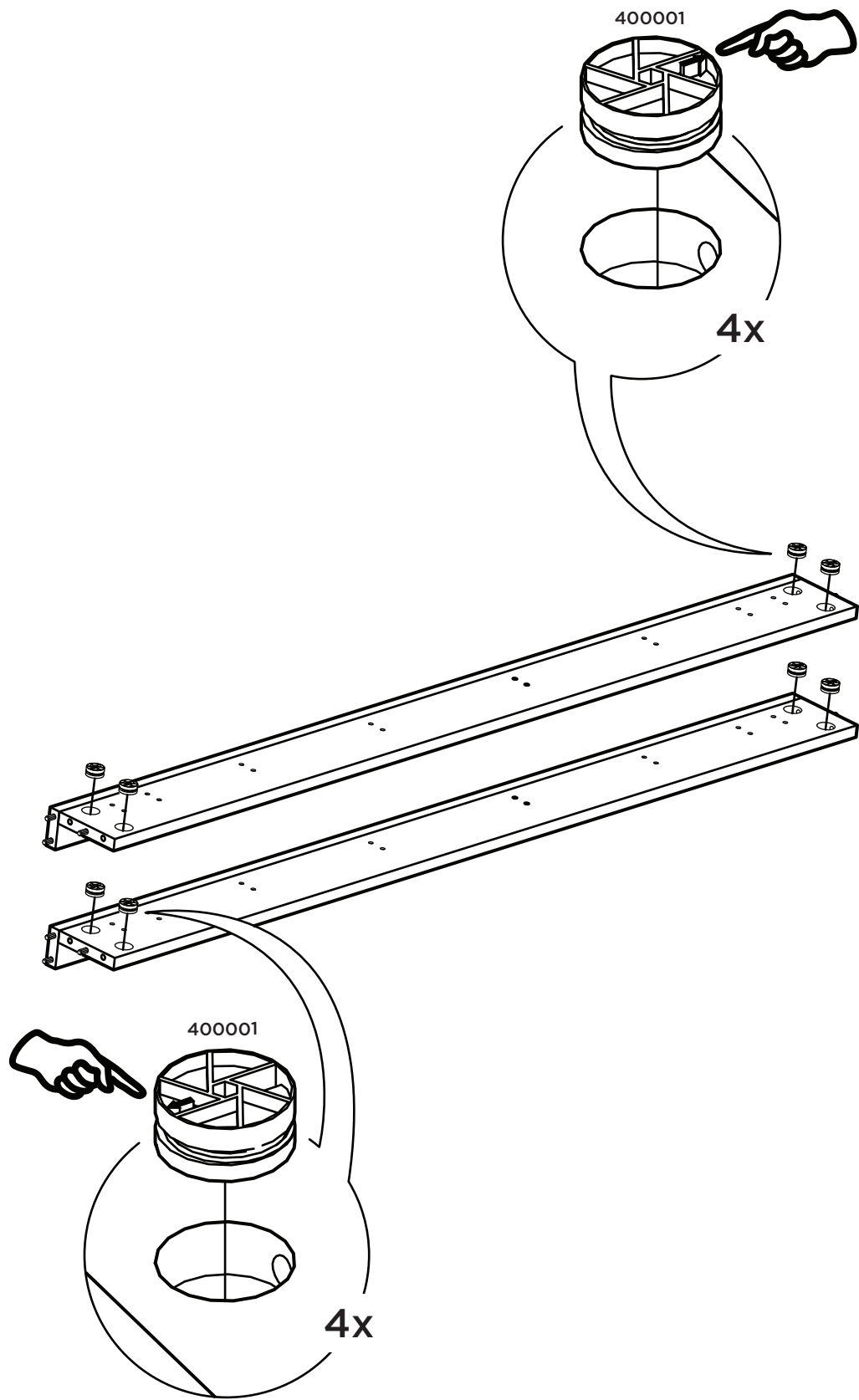




1

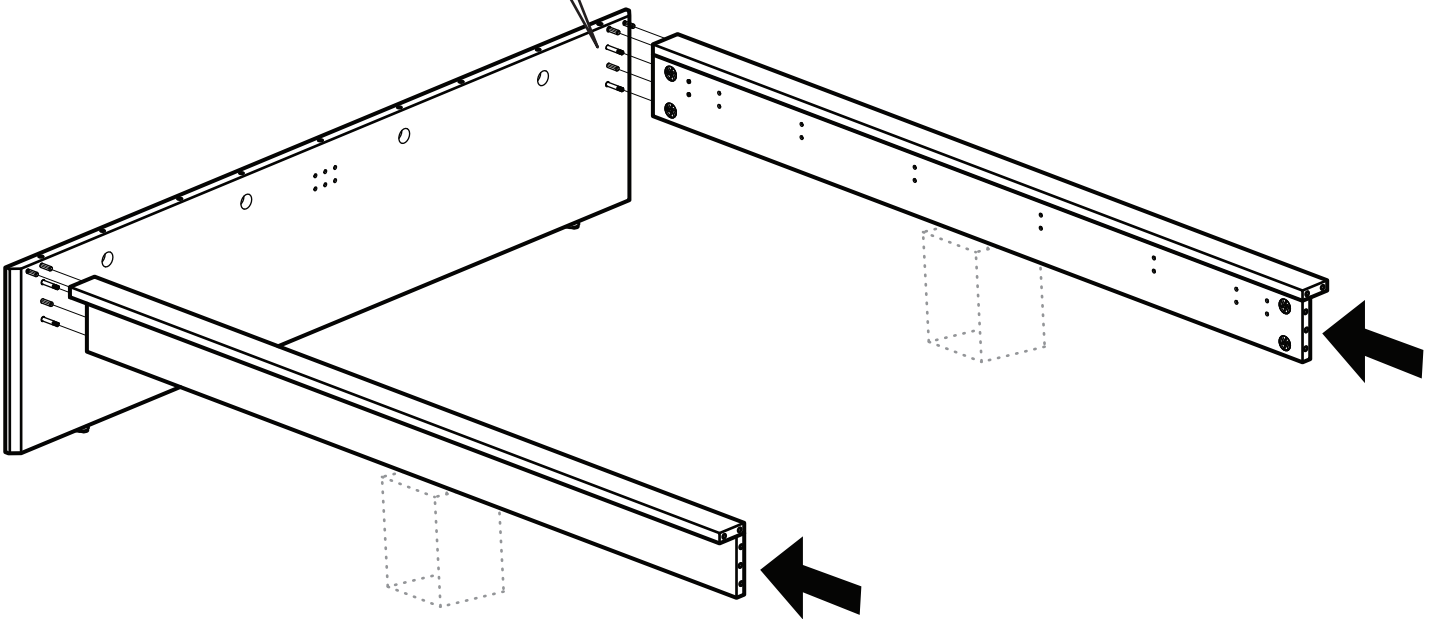
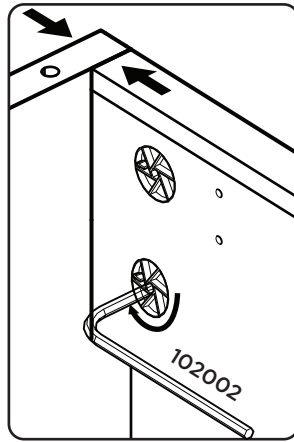
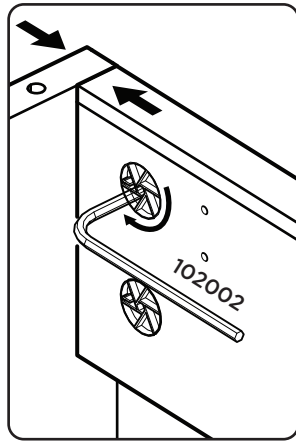
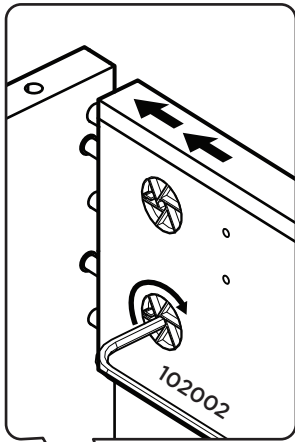
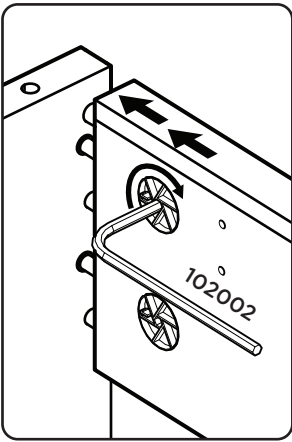
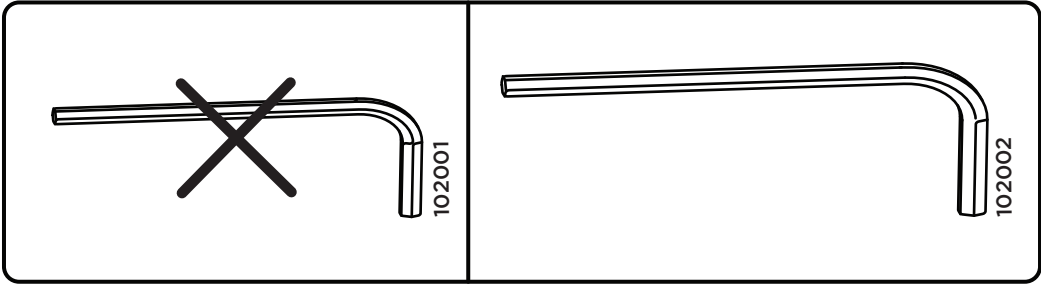


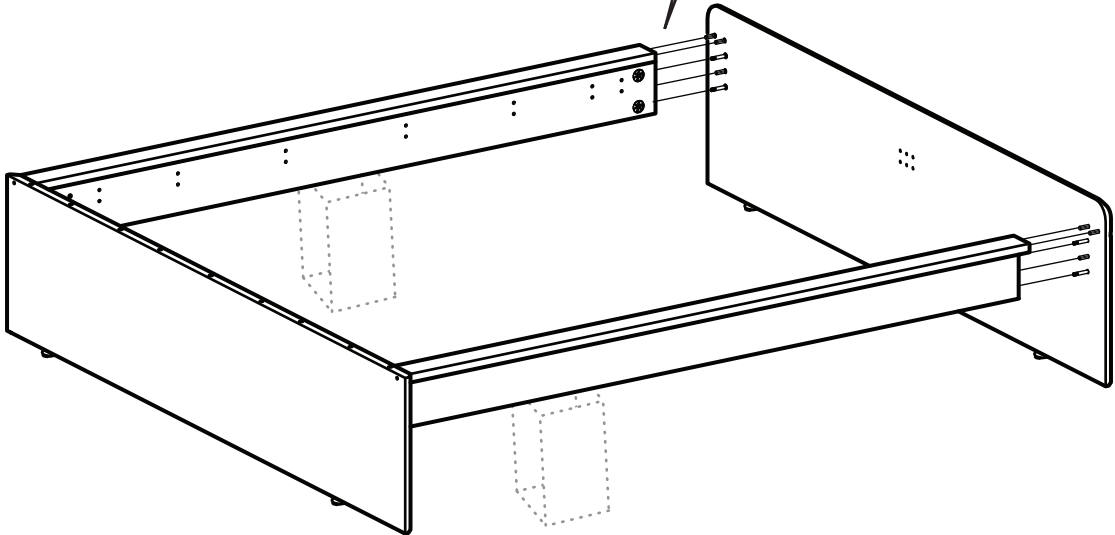
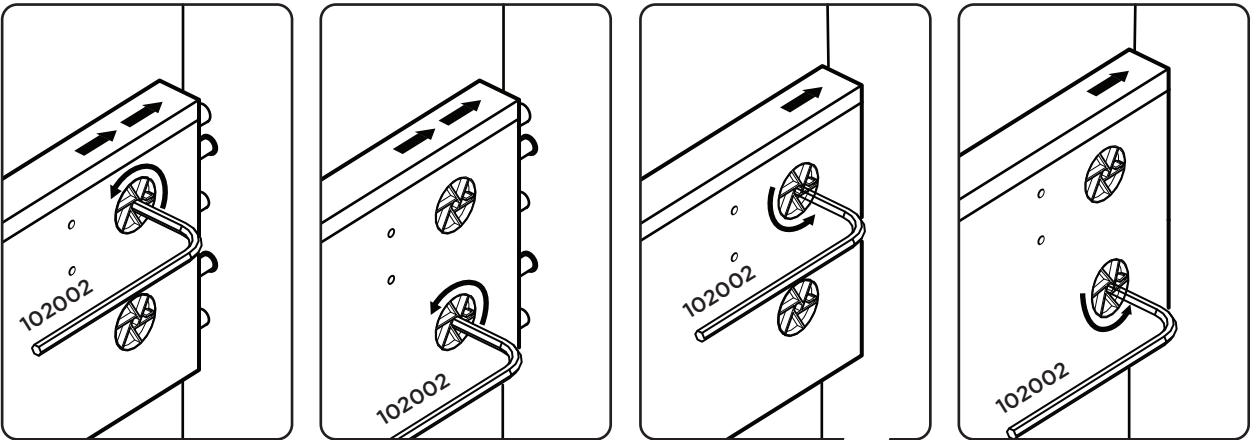
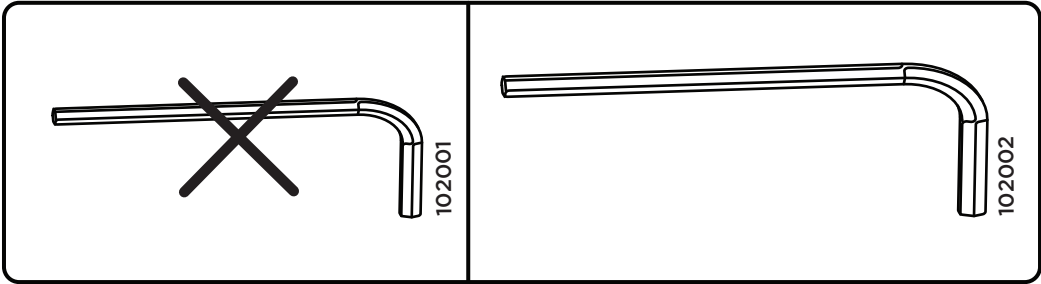




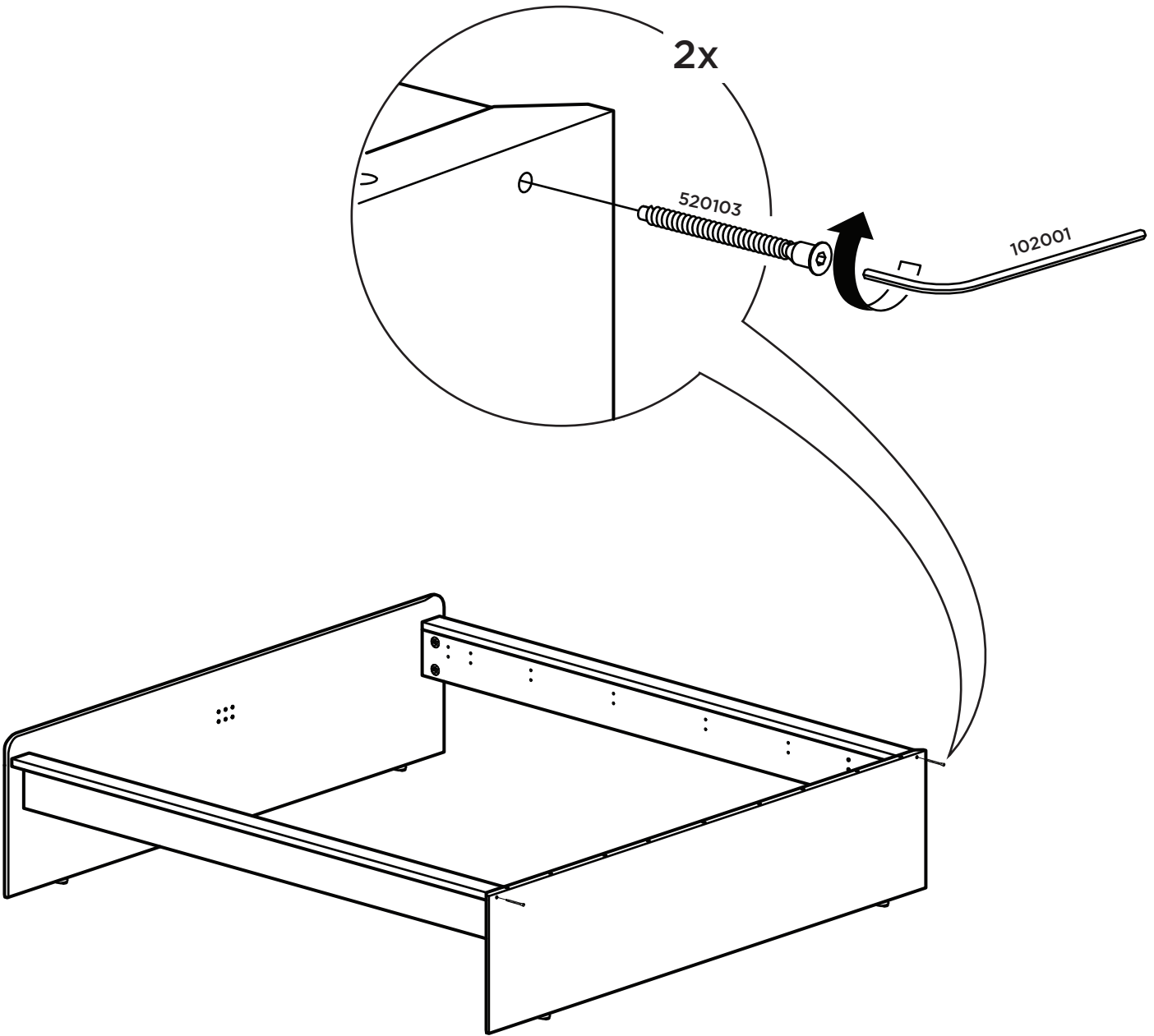
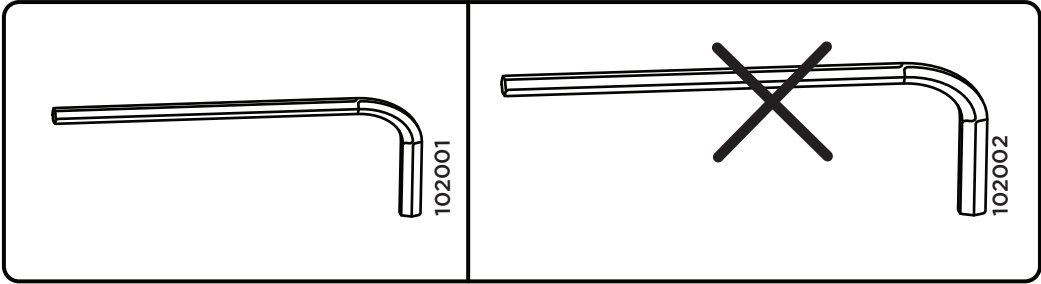


4

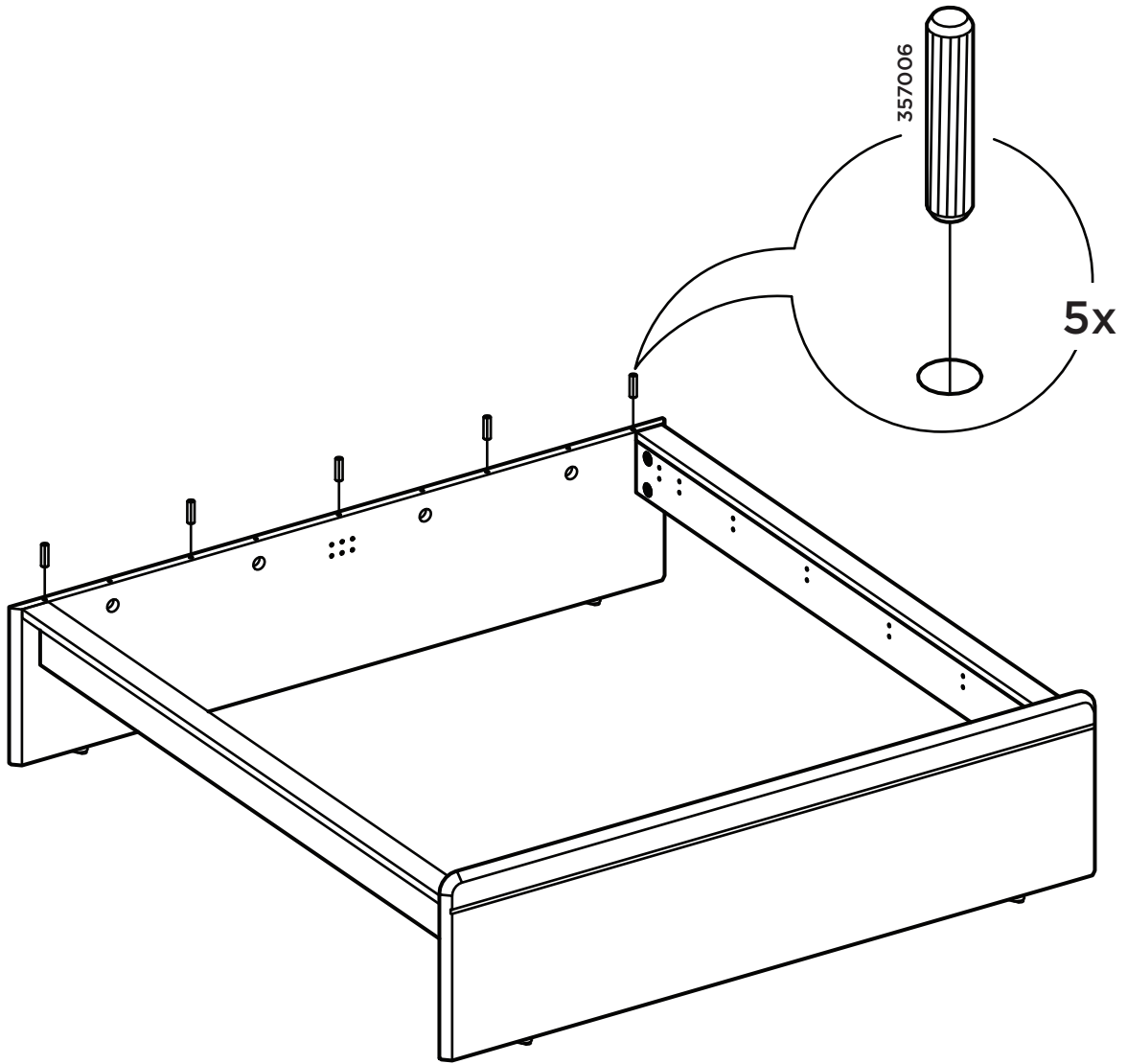




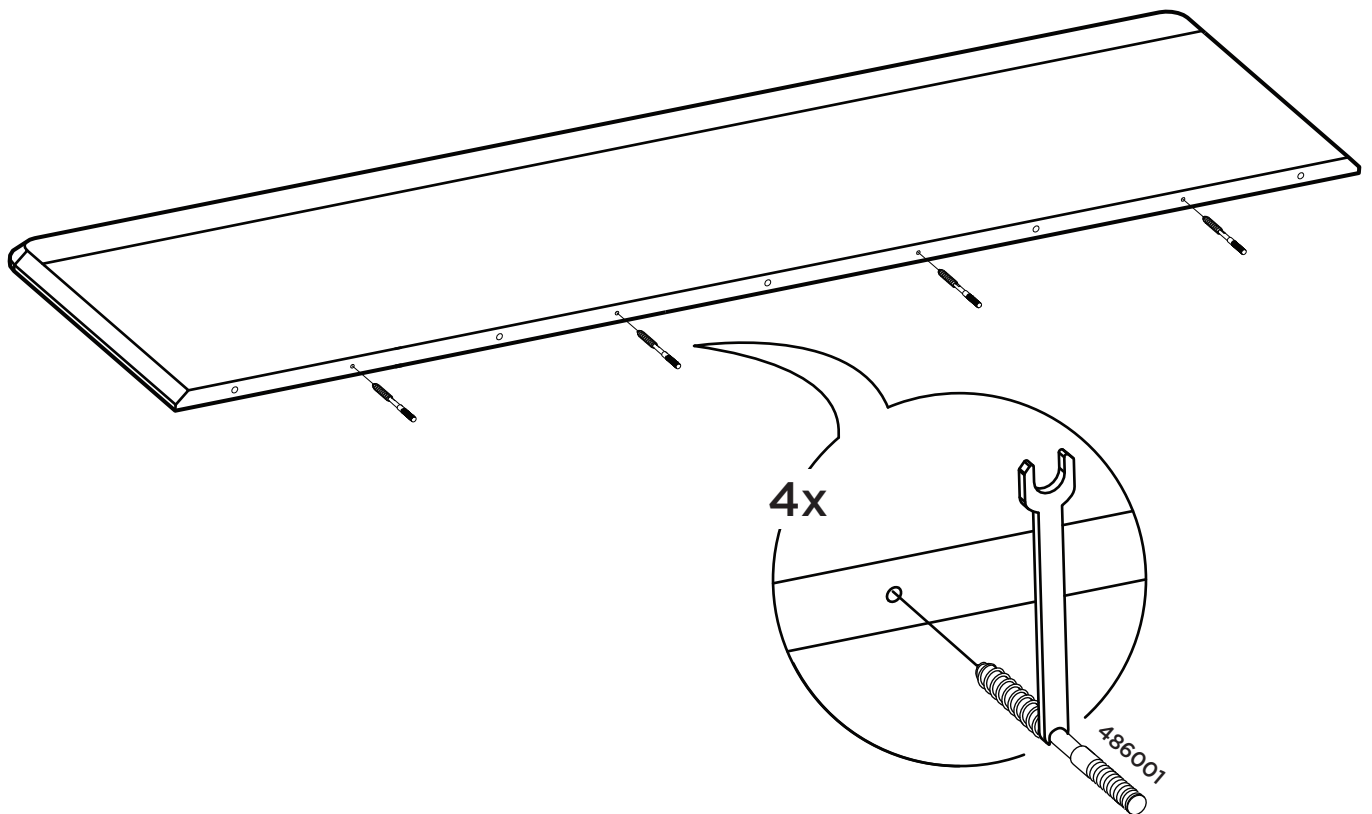
6

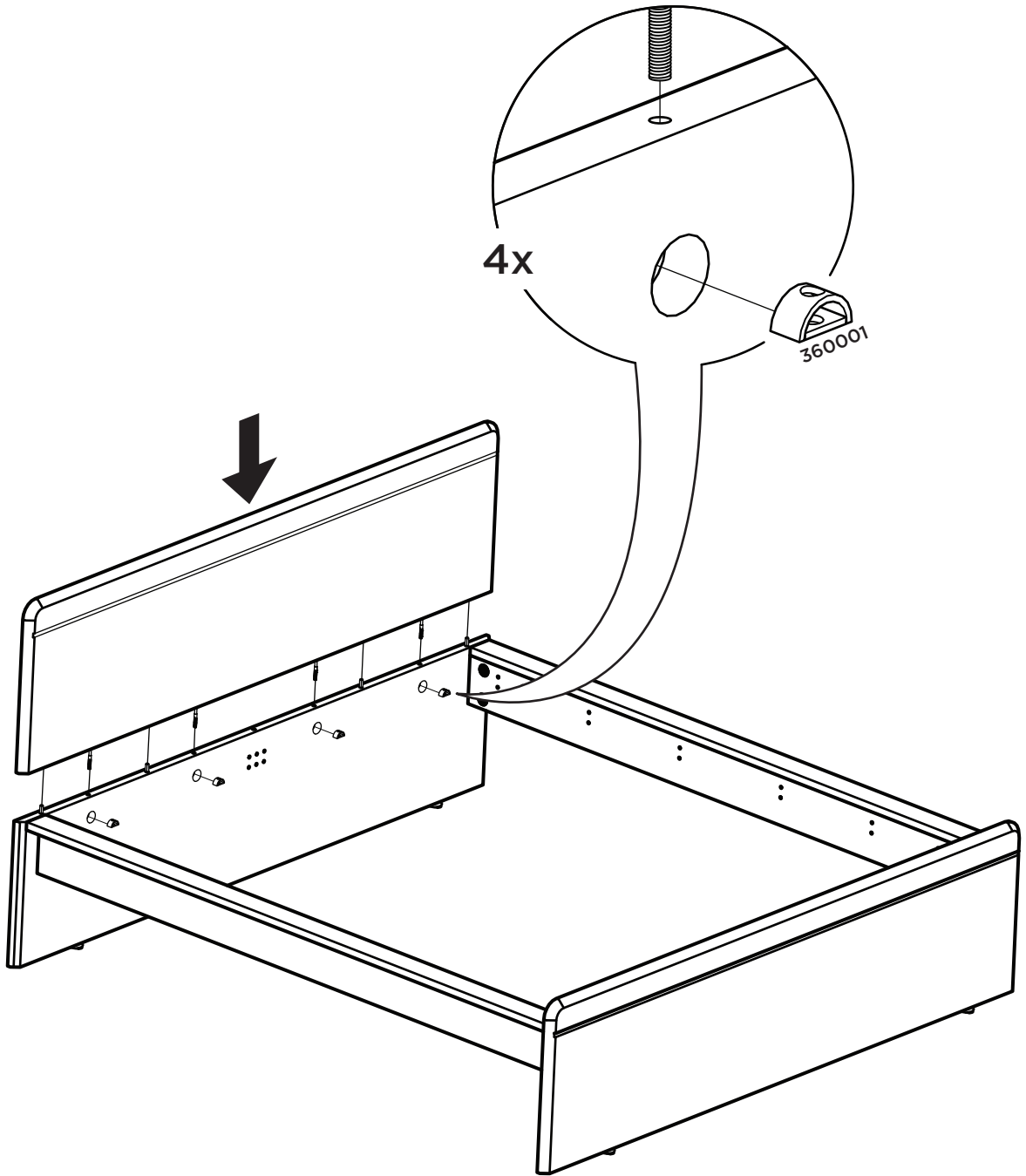


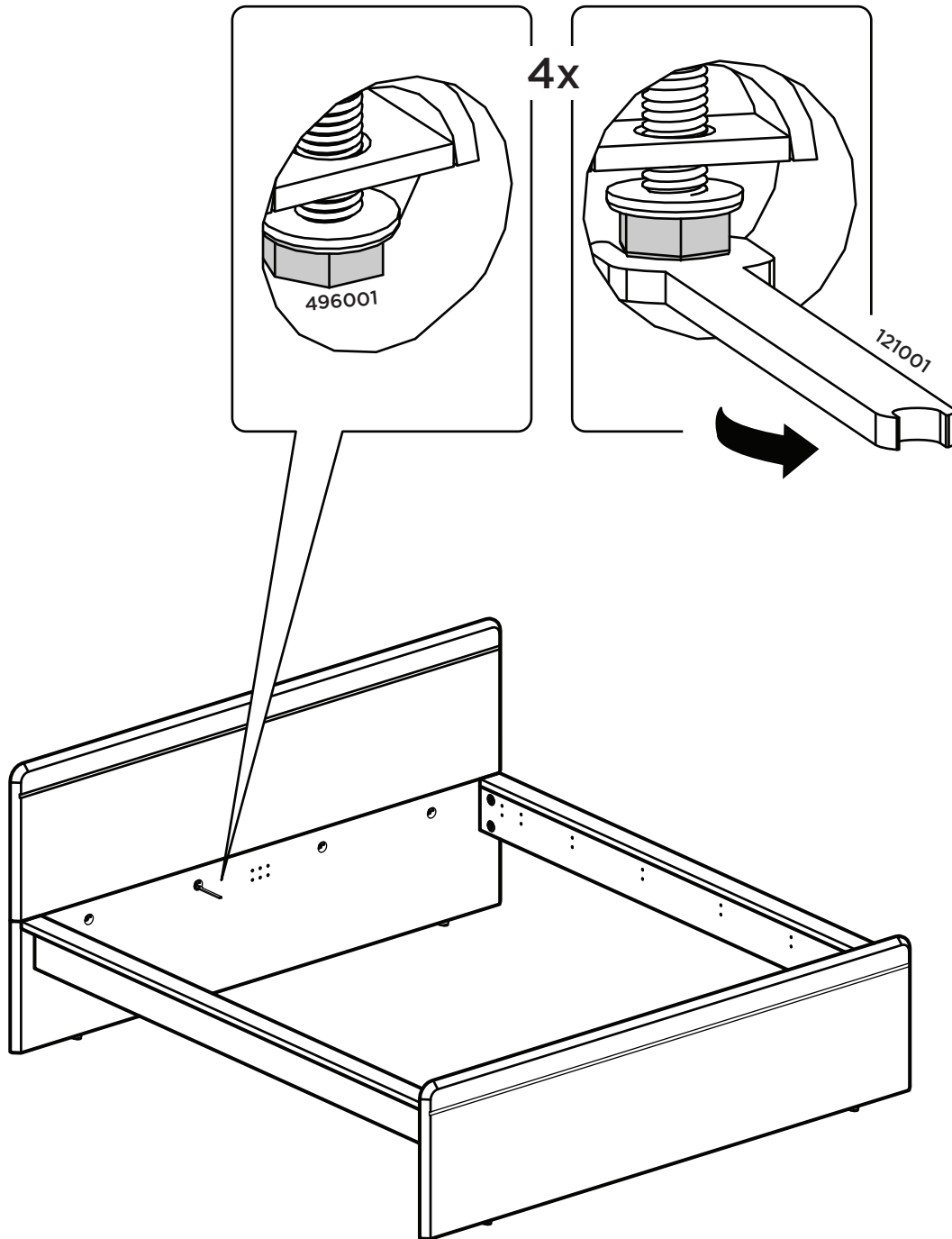
7

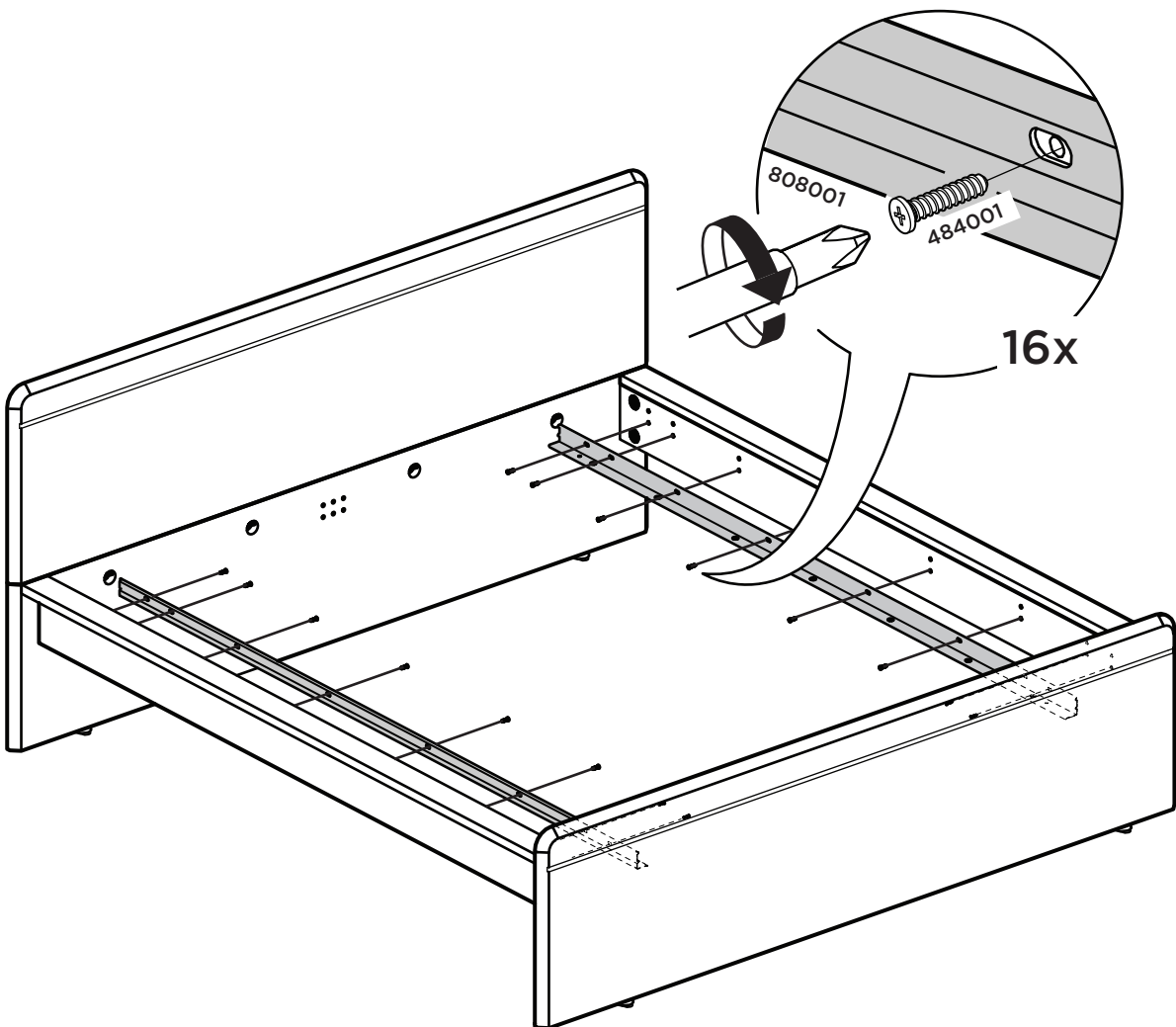
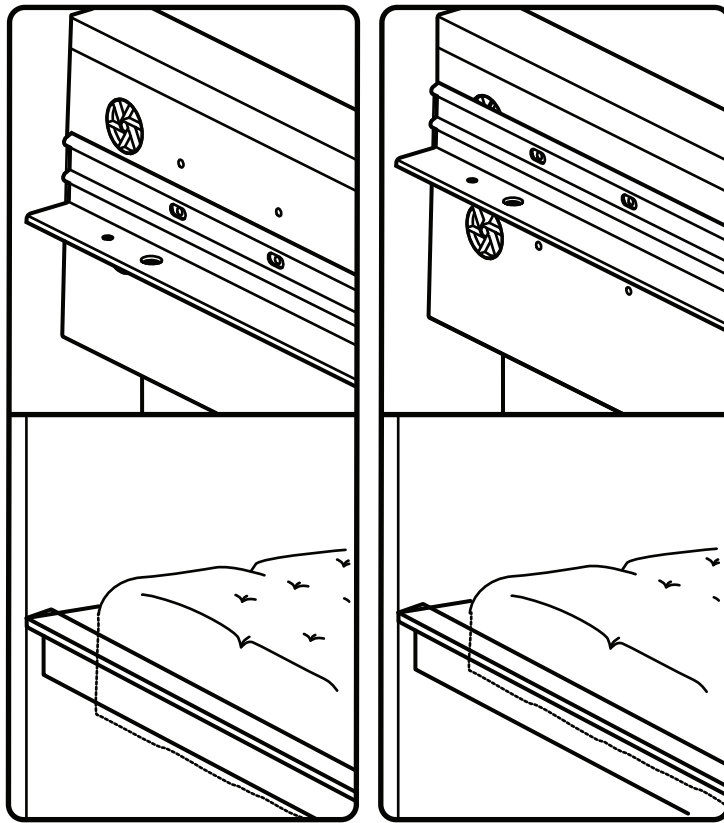


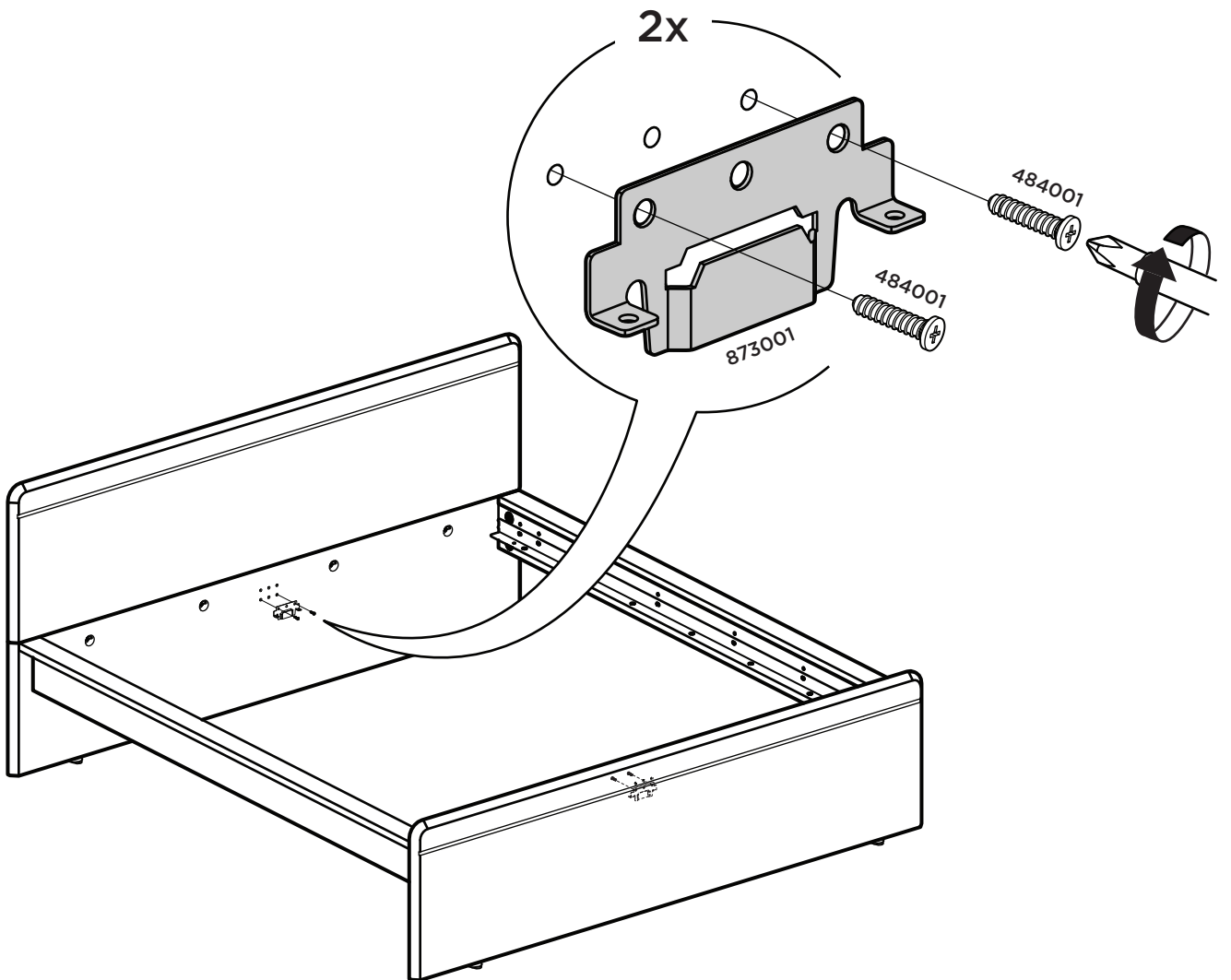
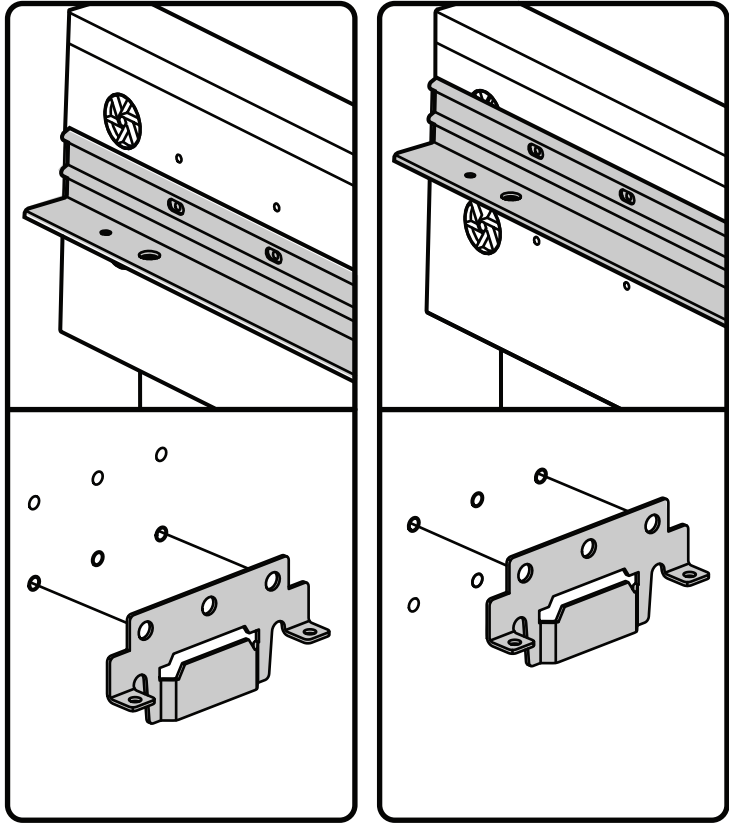
8





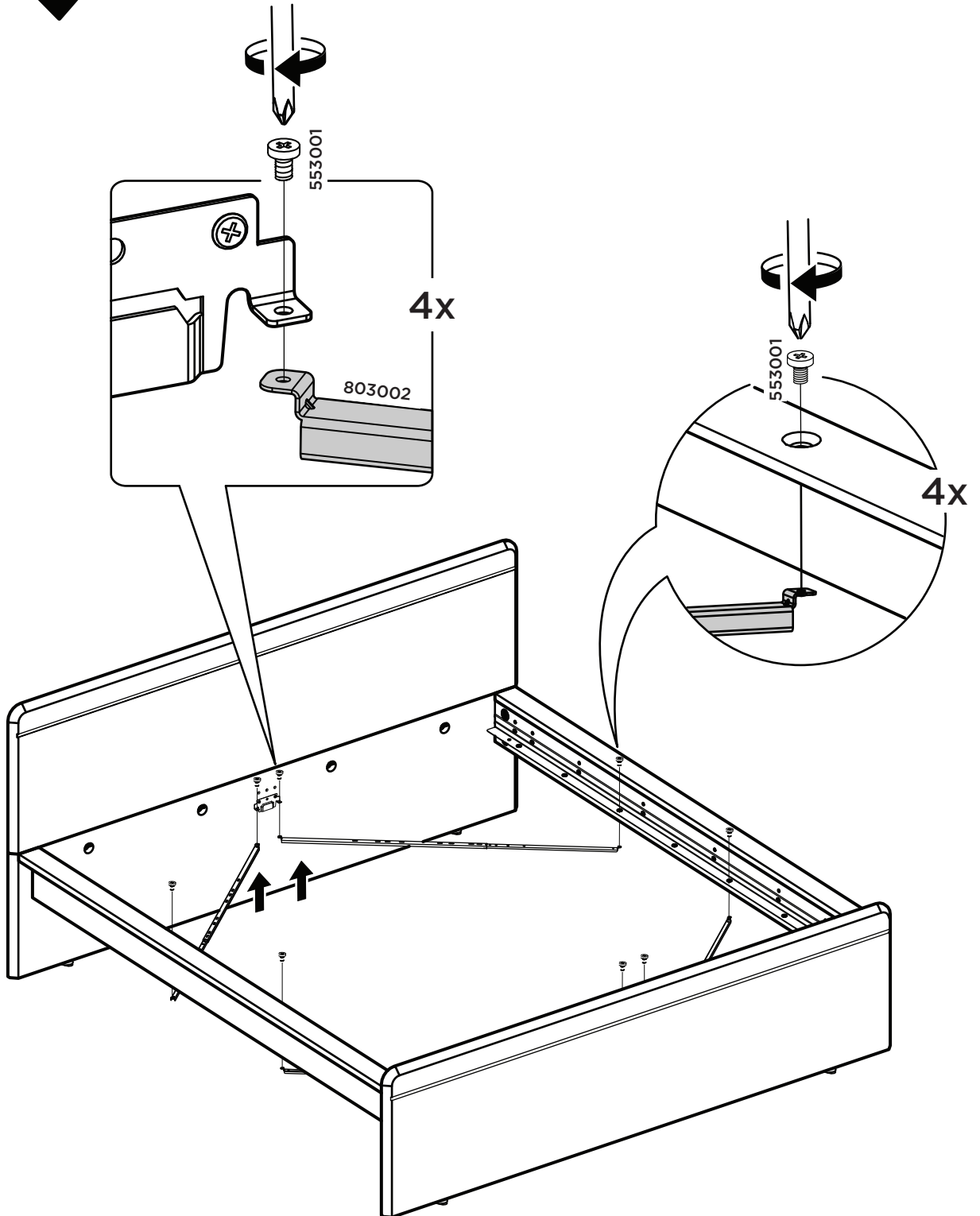
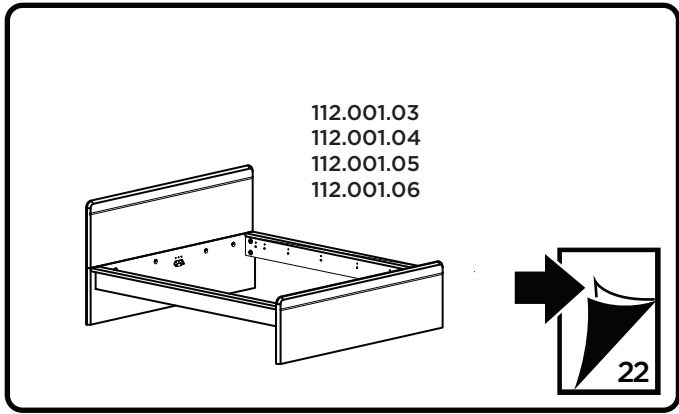
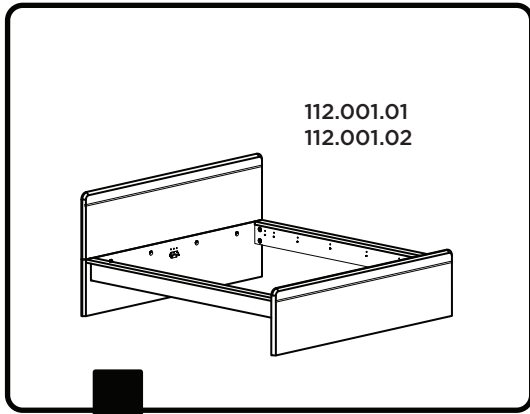


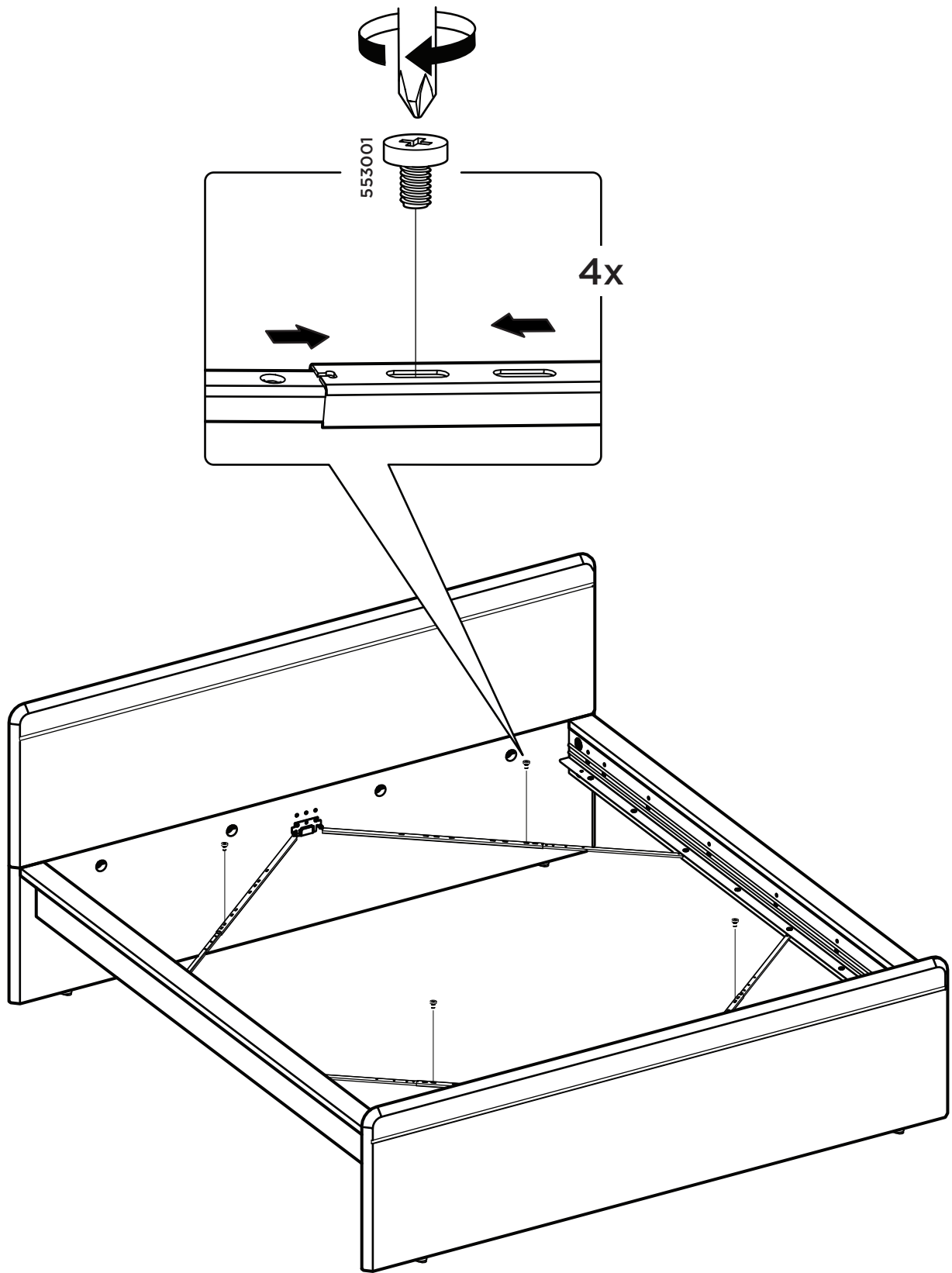




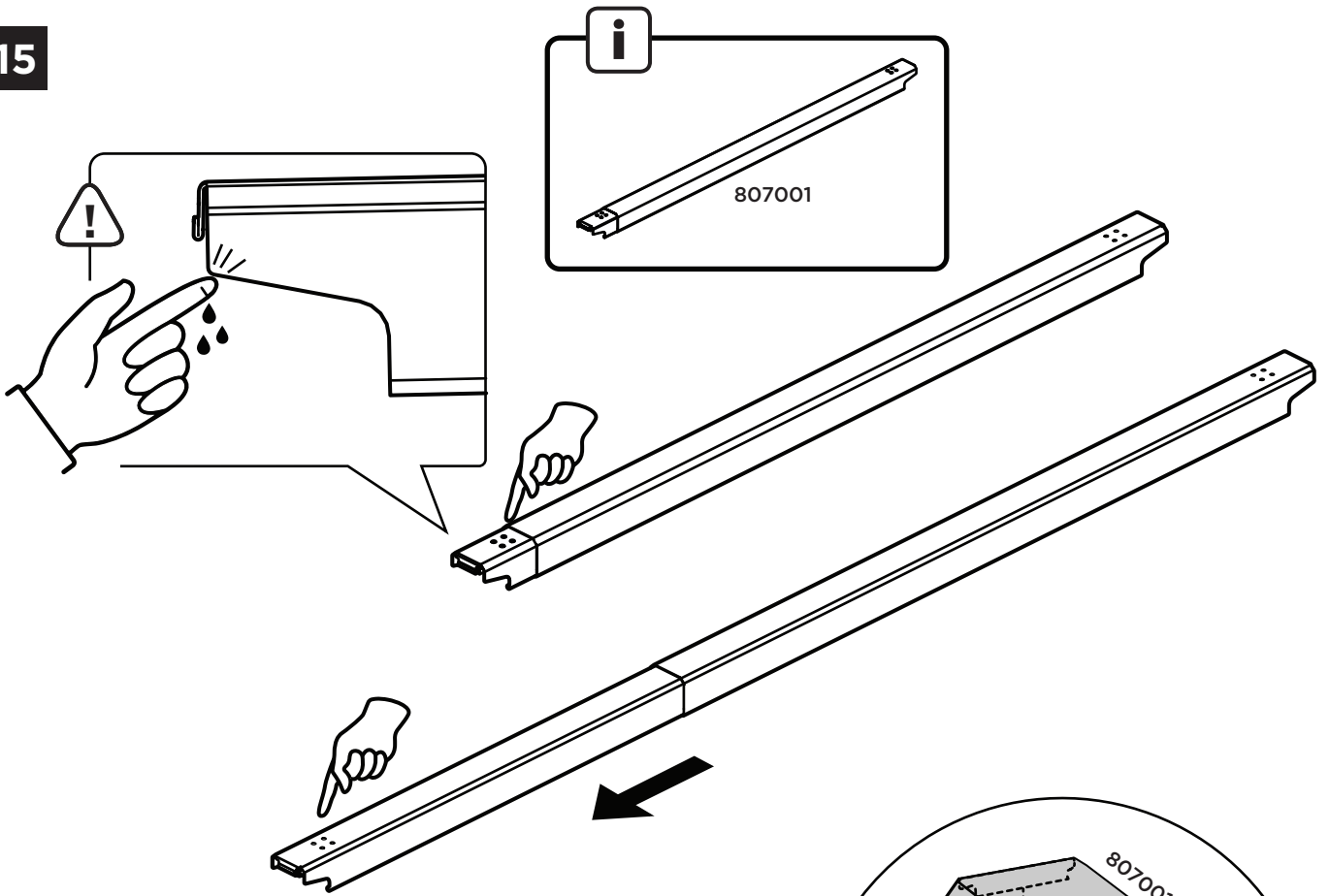


13

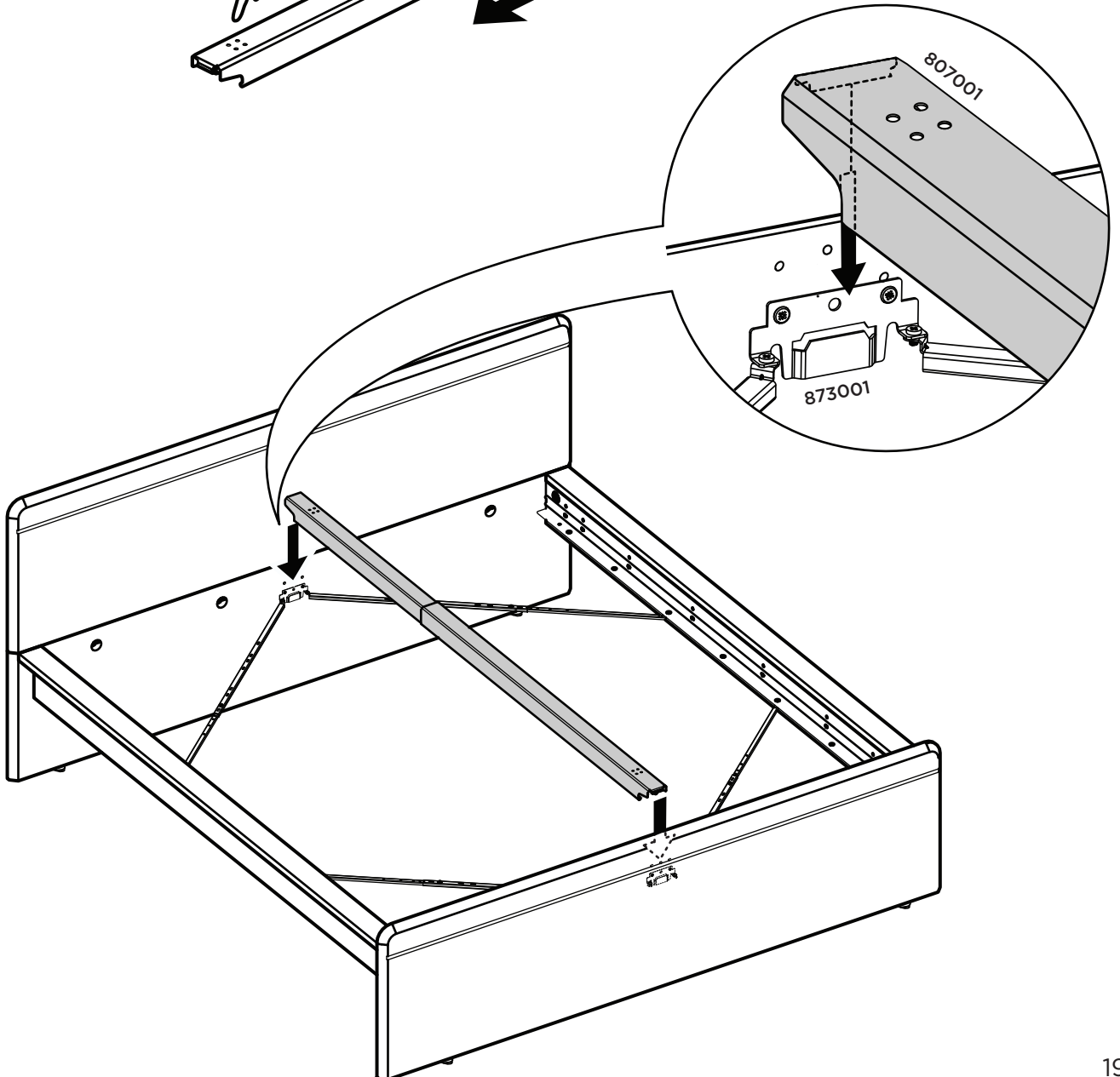


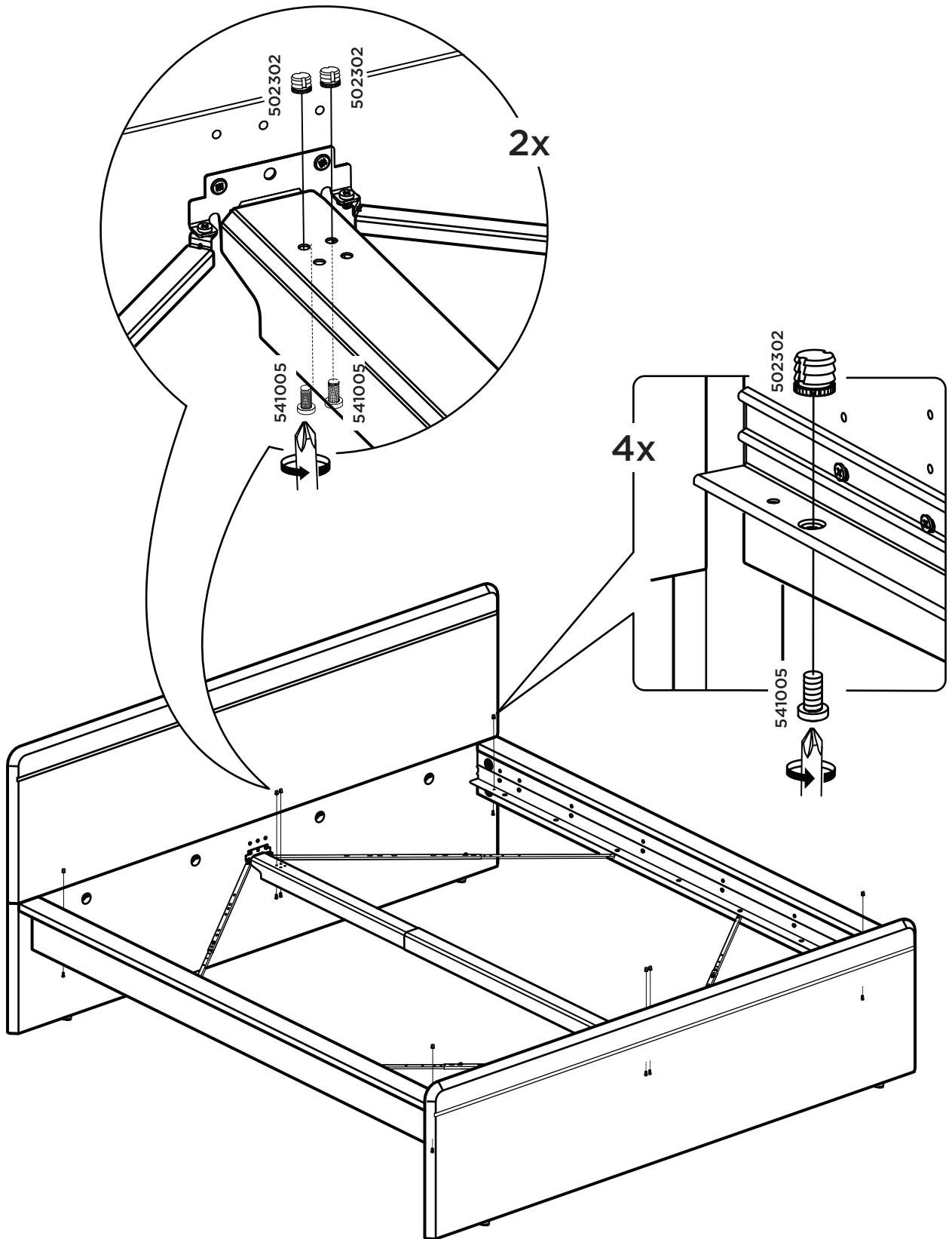


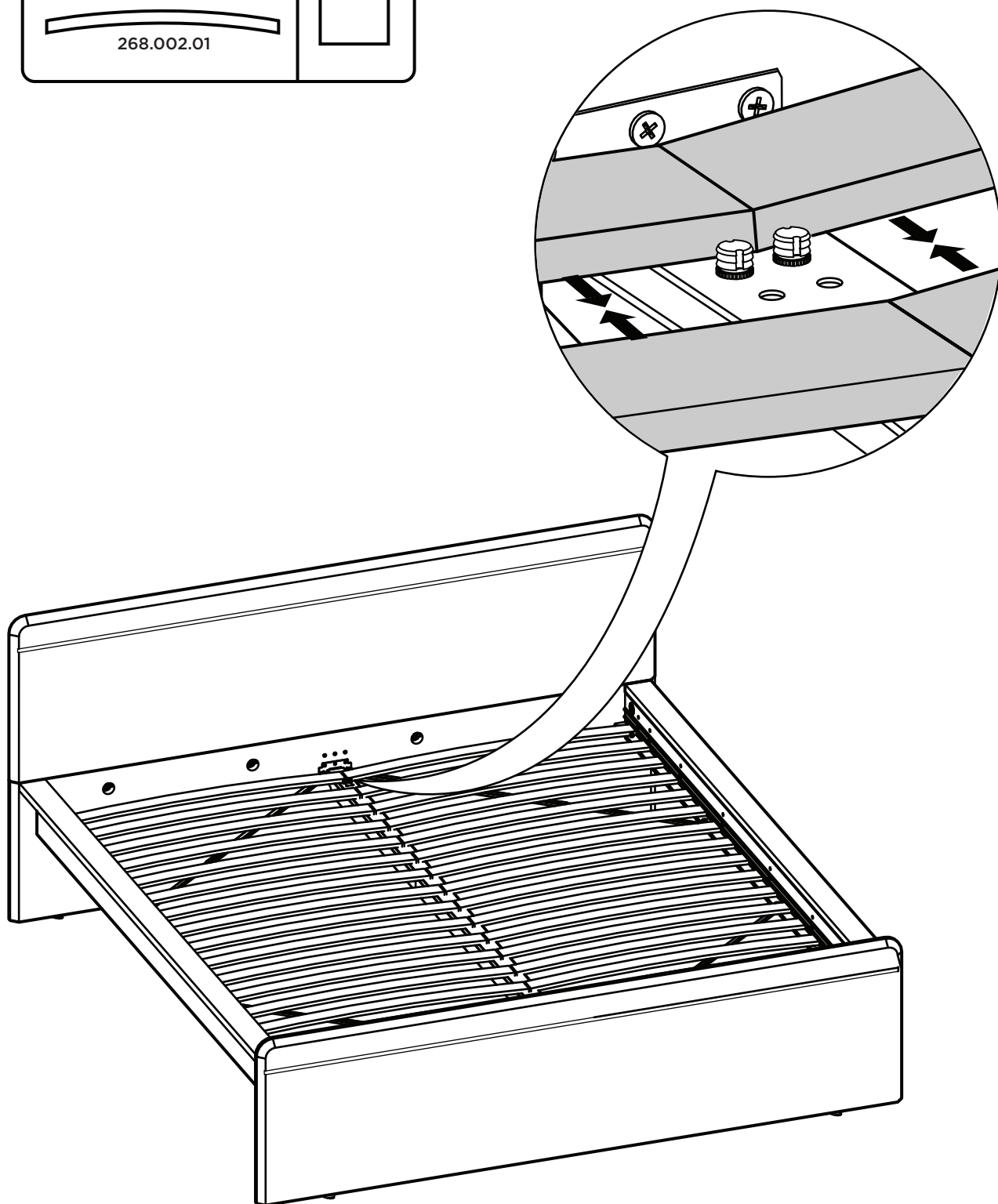
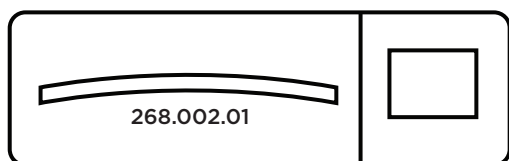
15

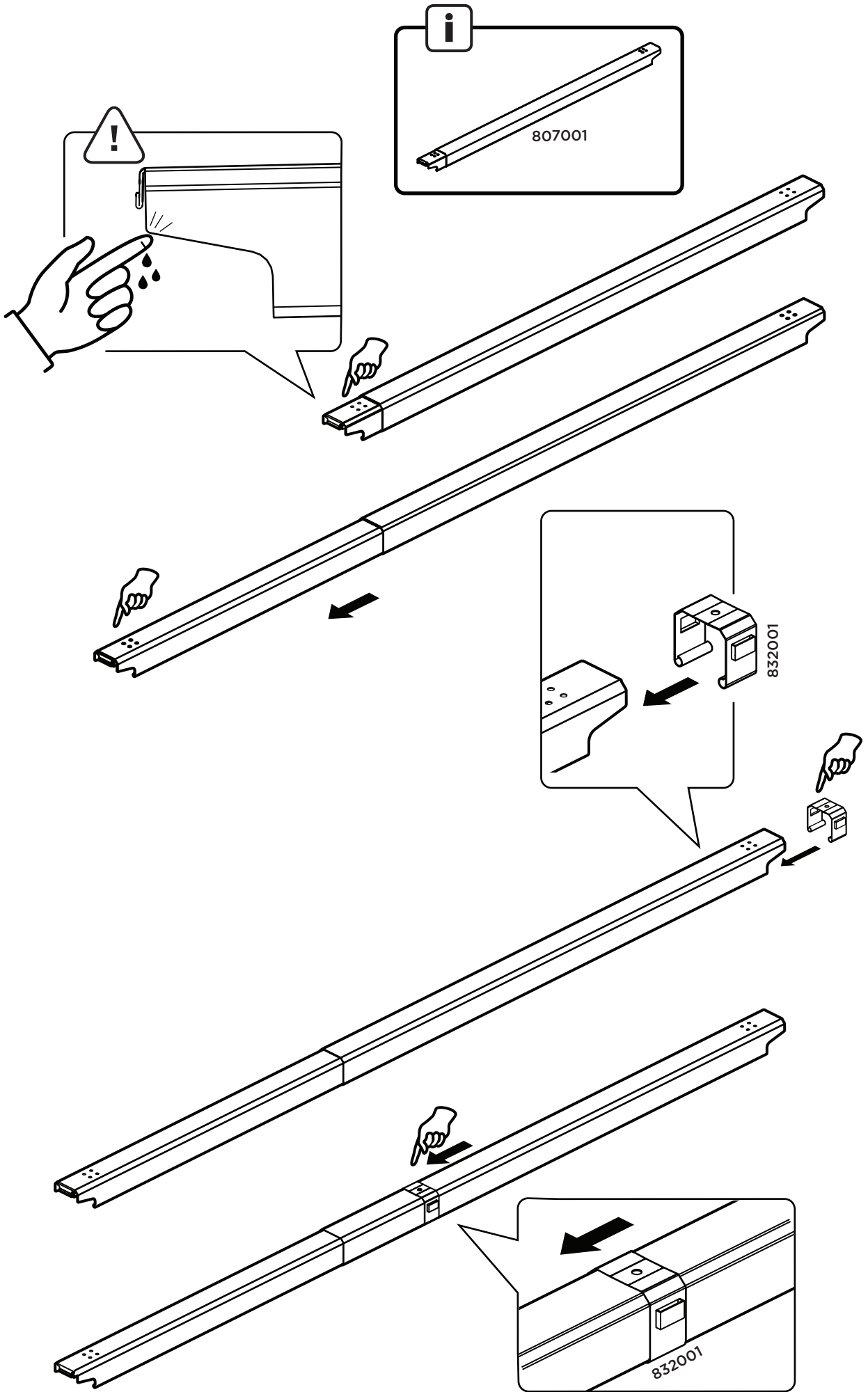


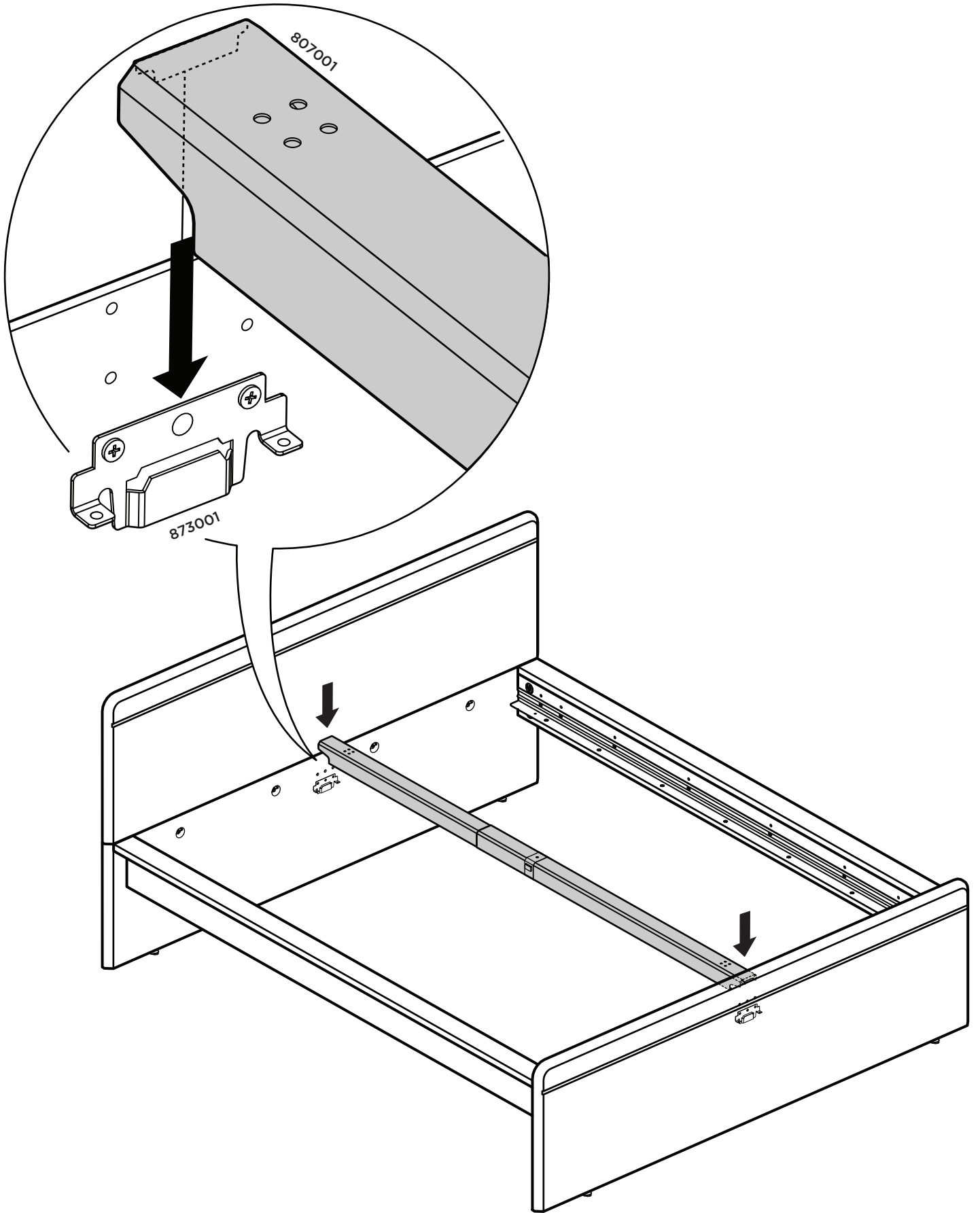
16

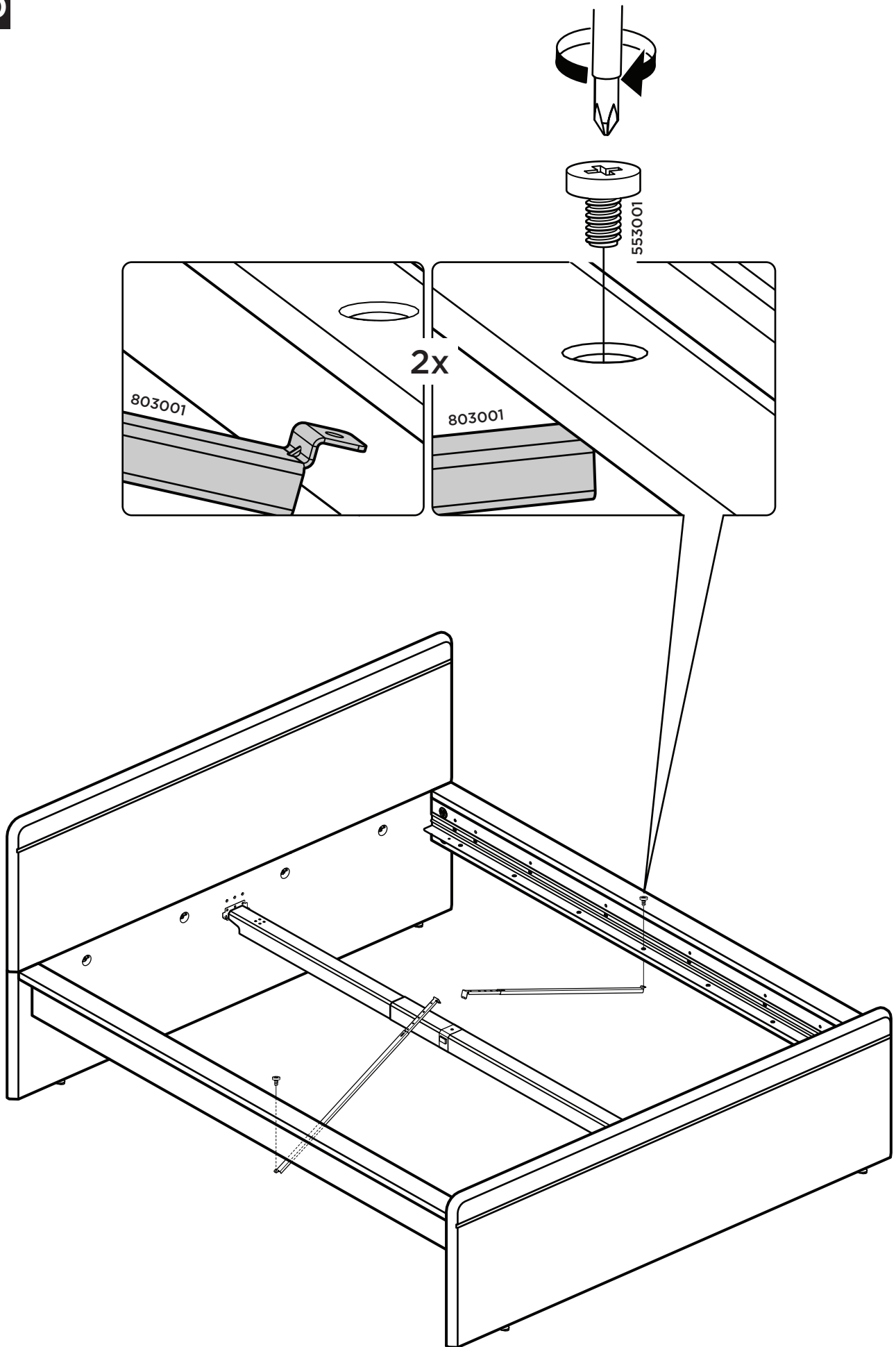




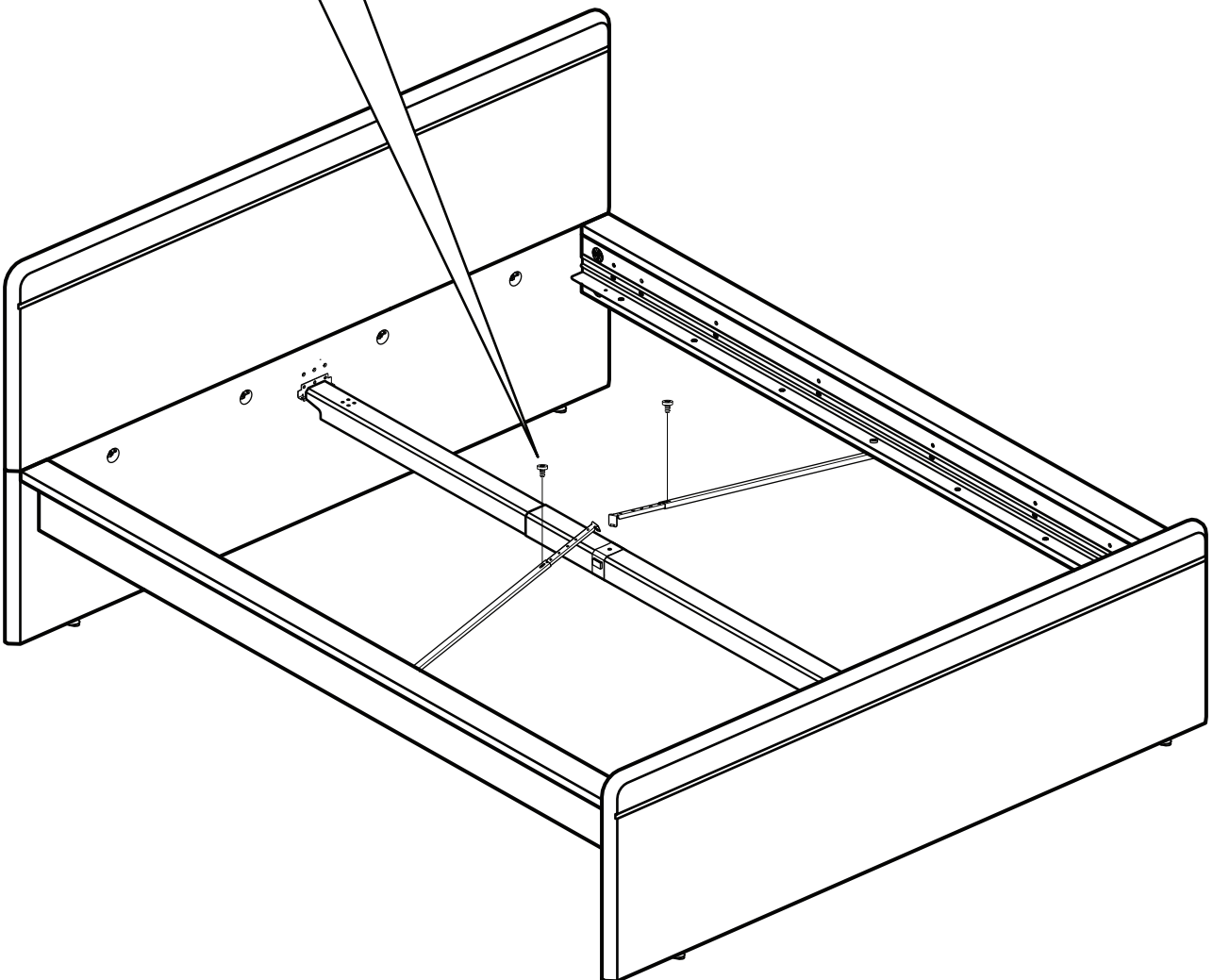
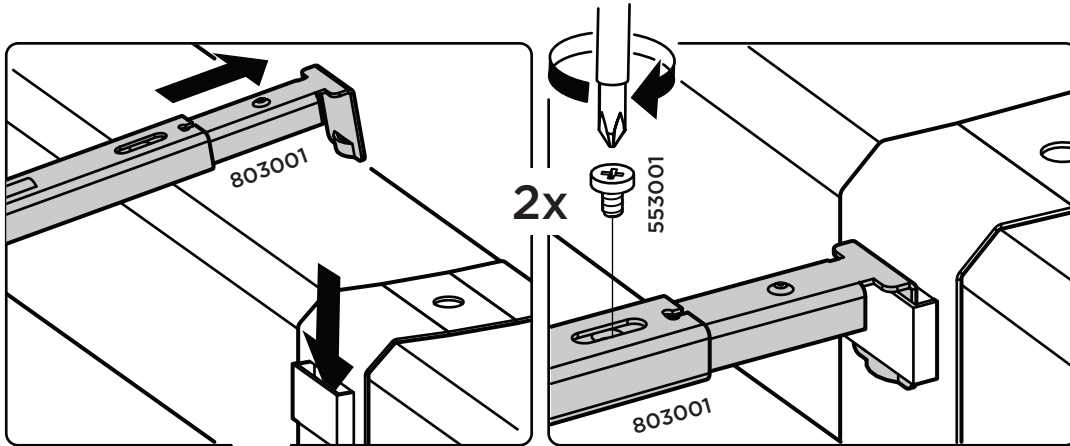
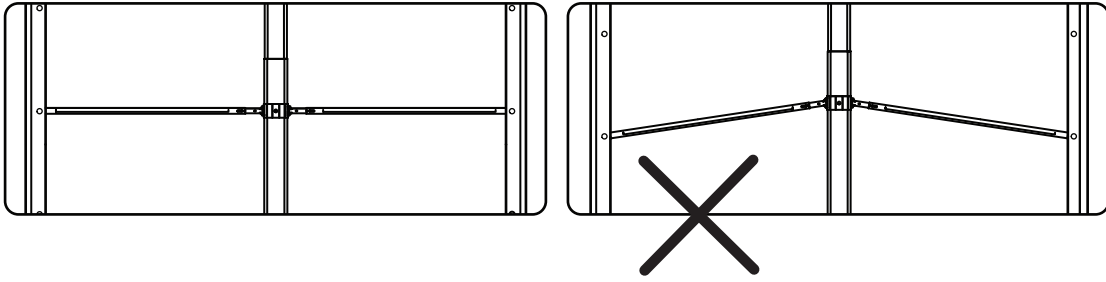


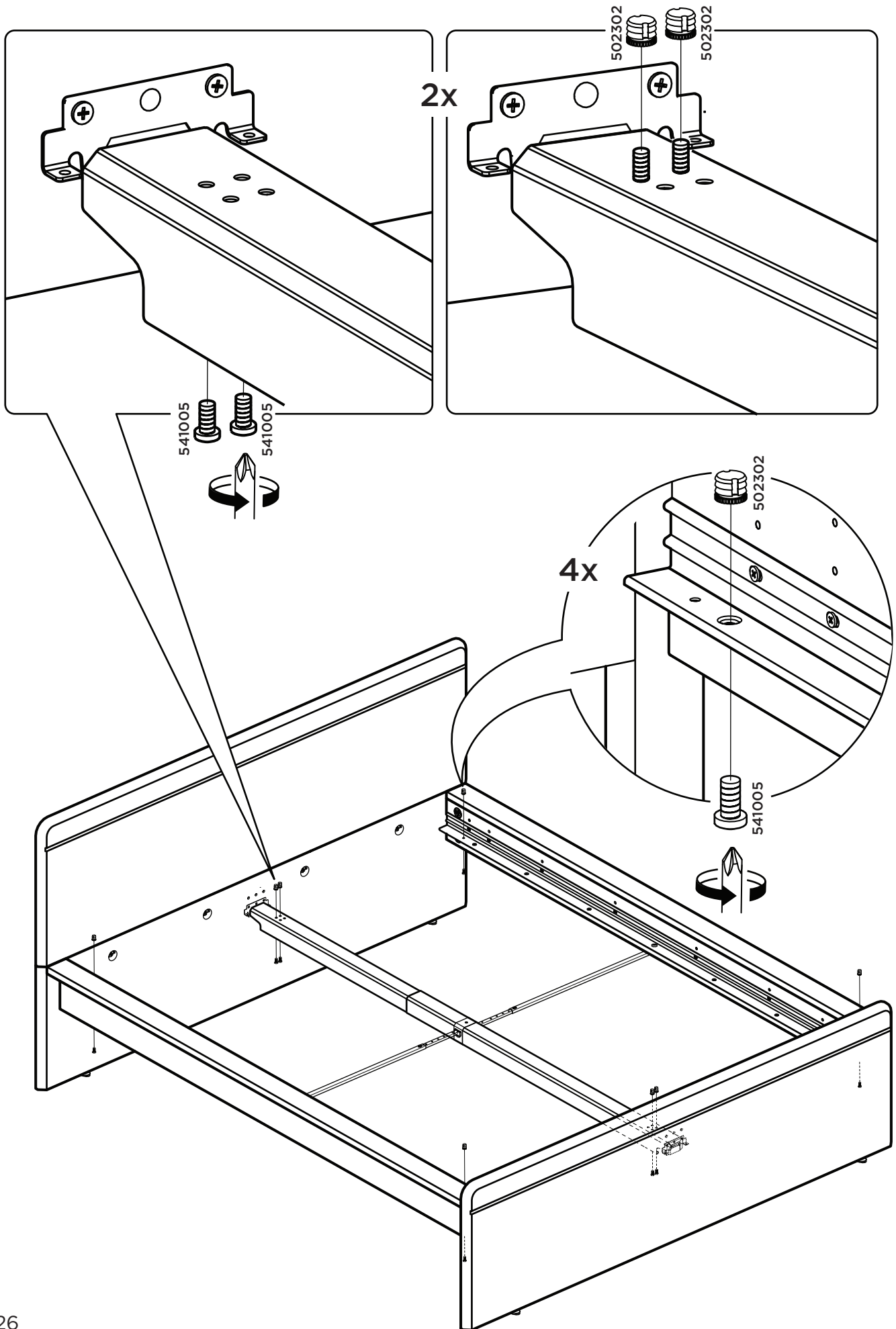






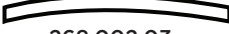



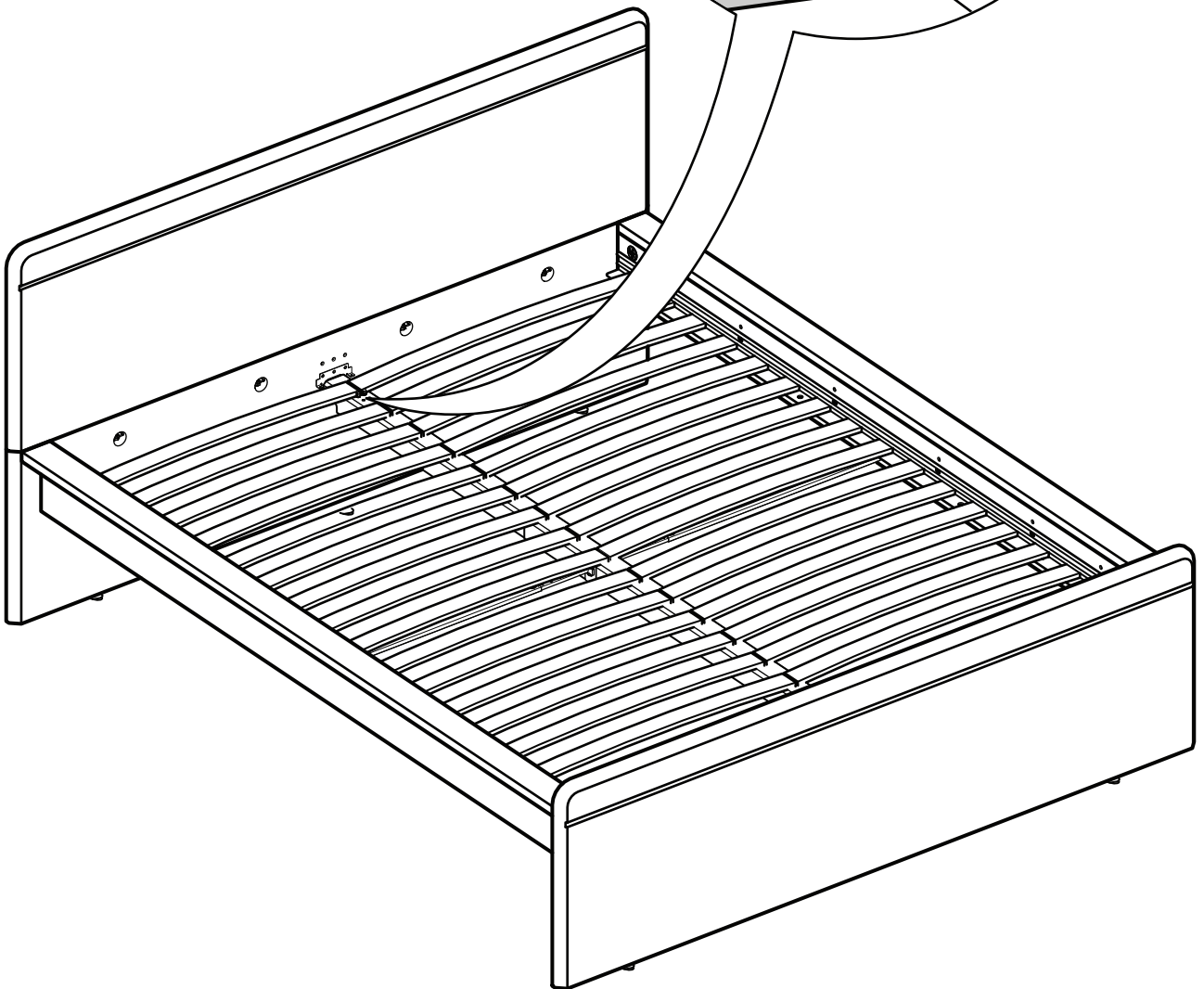
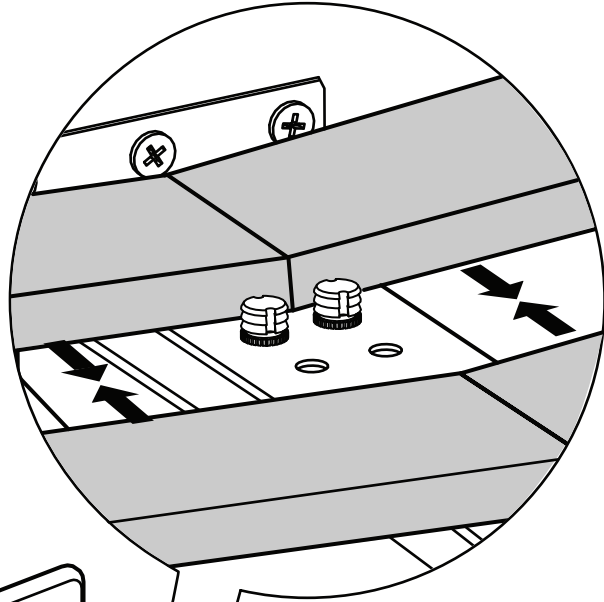








 268.002.02	
 268.002.03	



**metercube**