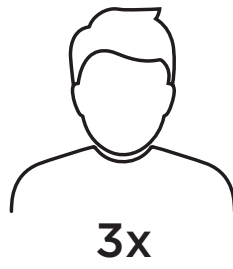
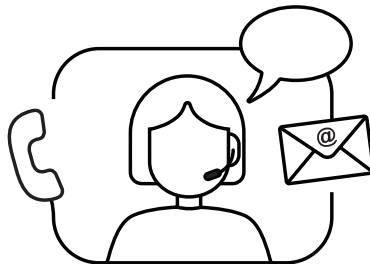
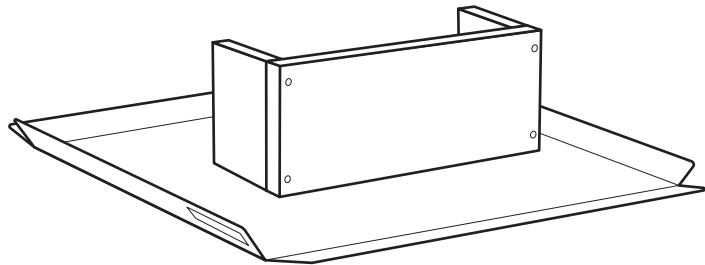
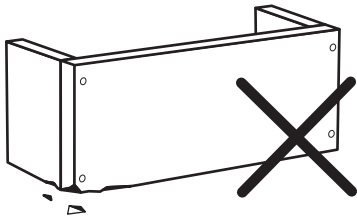
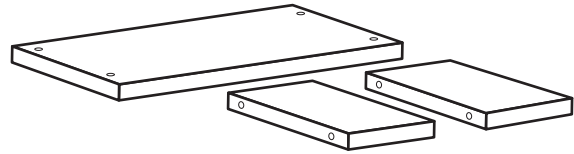
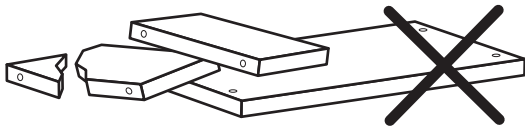


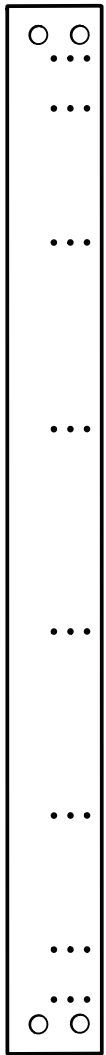
# somno

112.002.01  
112.002.02

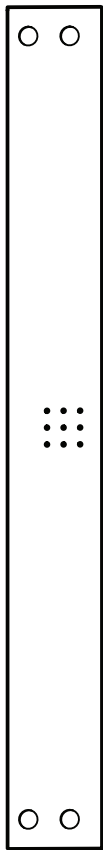


3x





2x



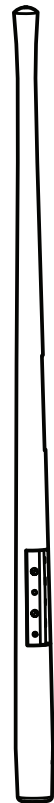
2x



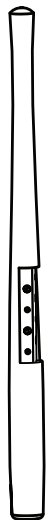
1x



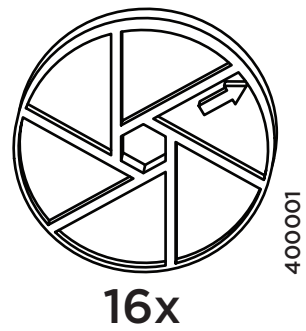
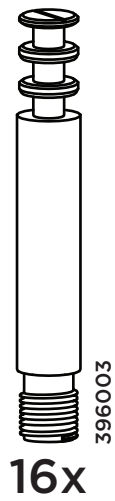
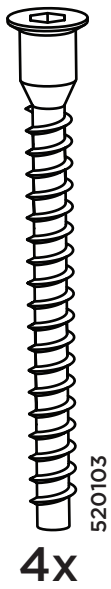
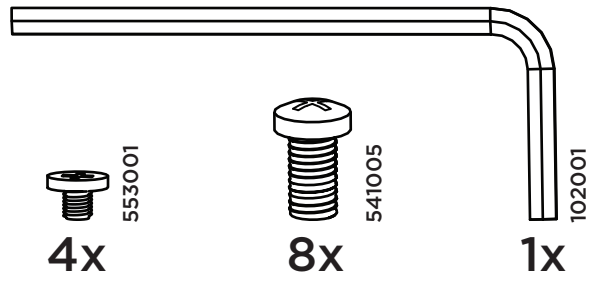
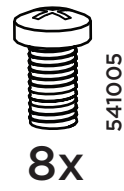
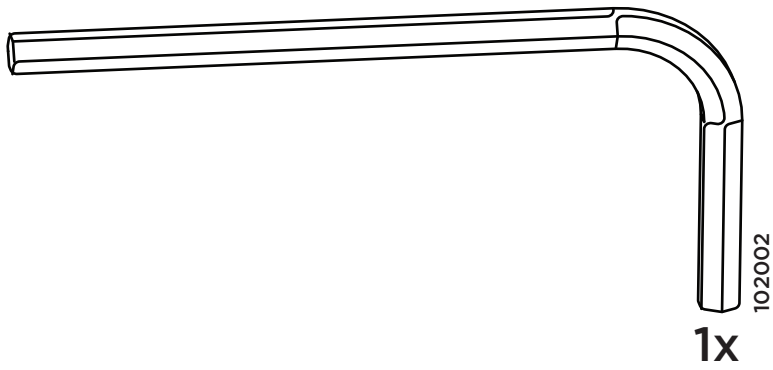
2x

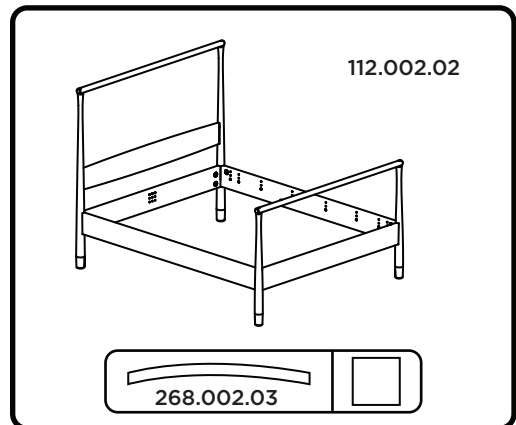
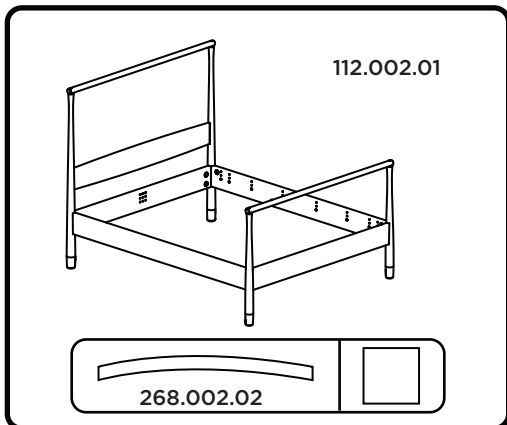
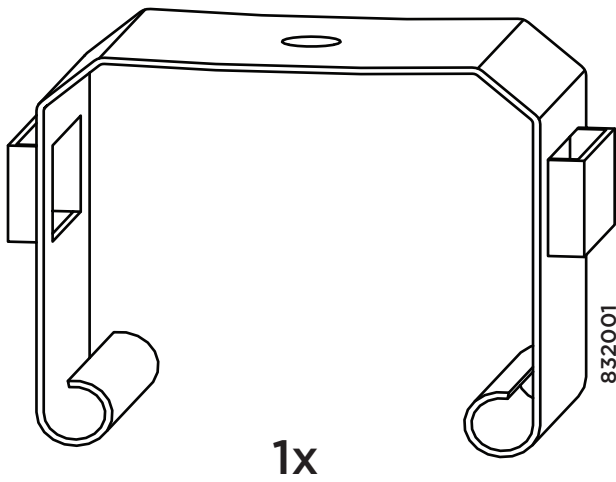
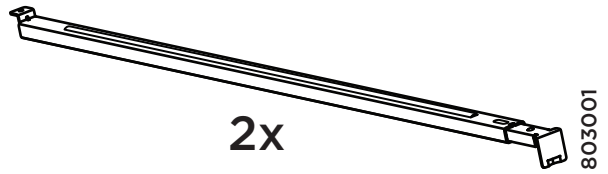
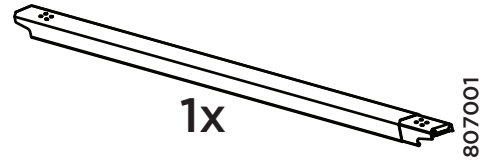
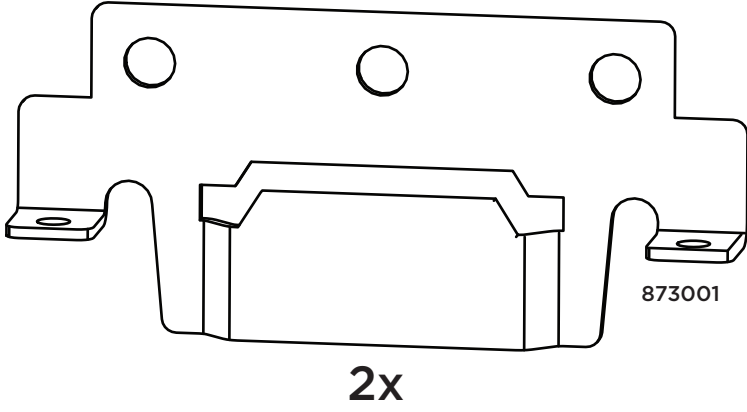
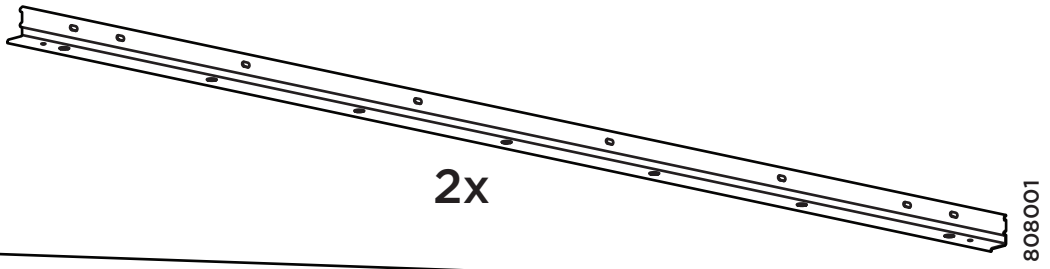


2x

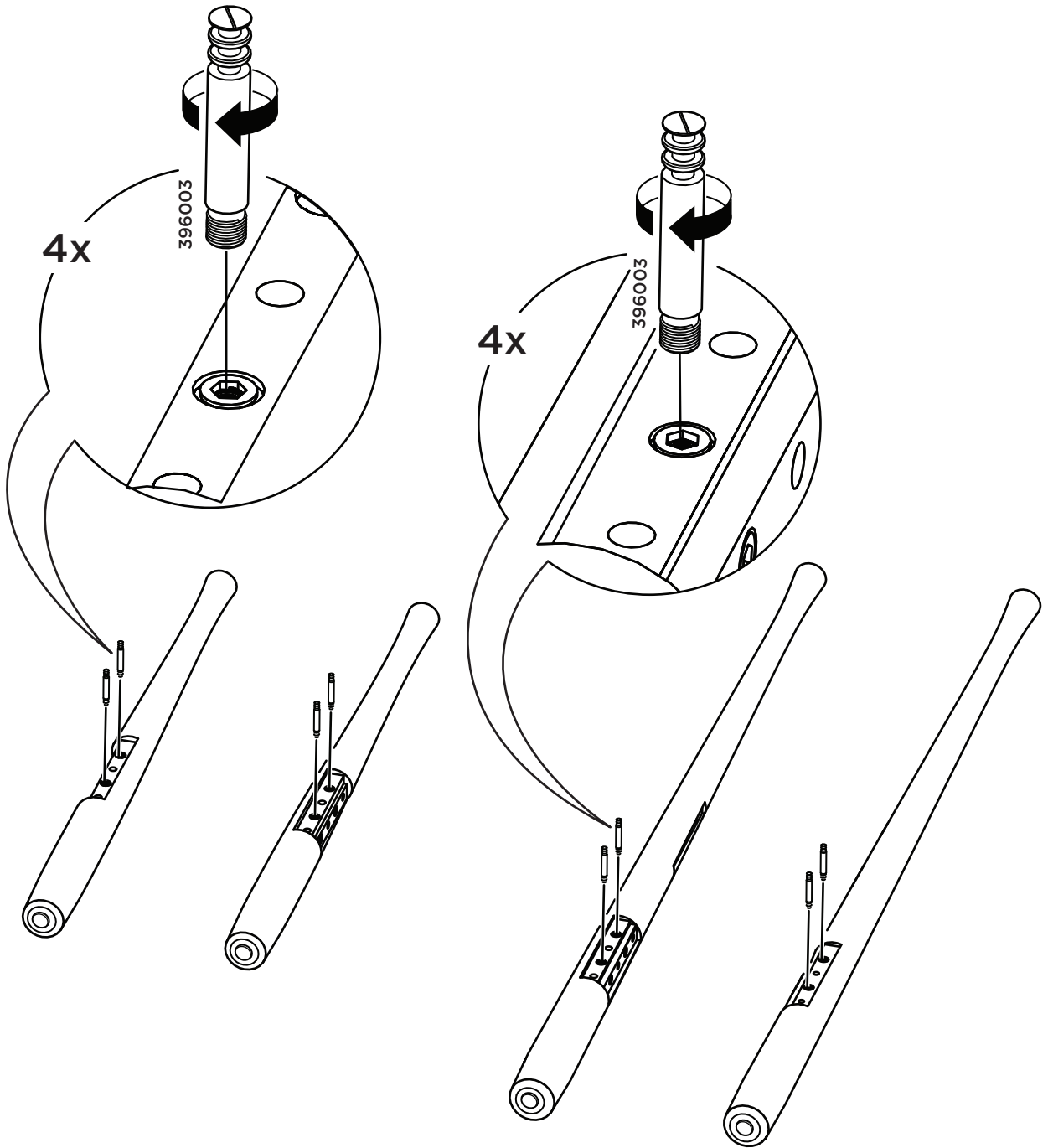


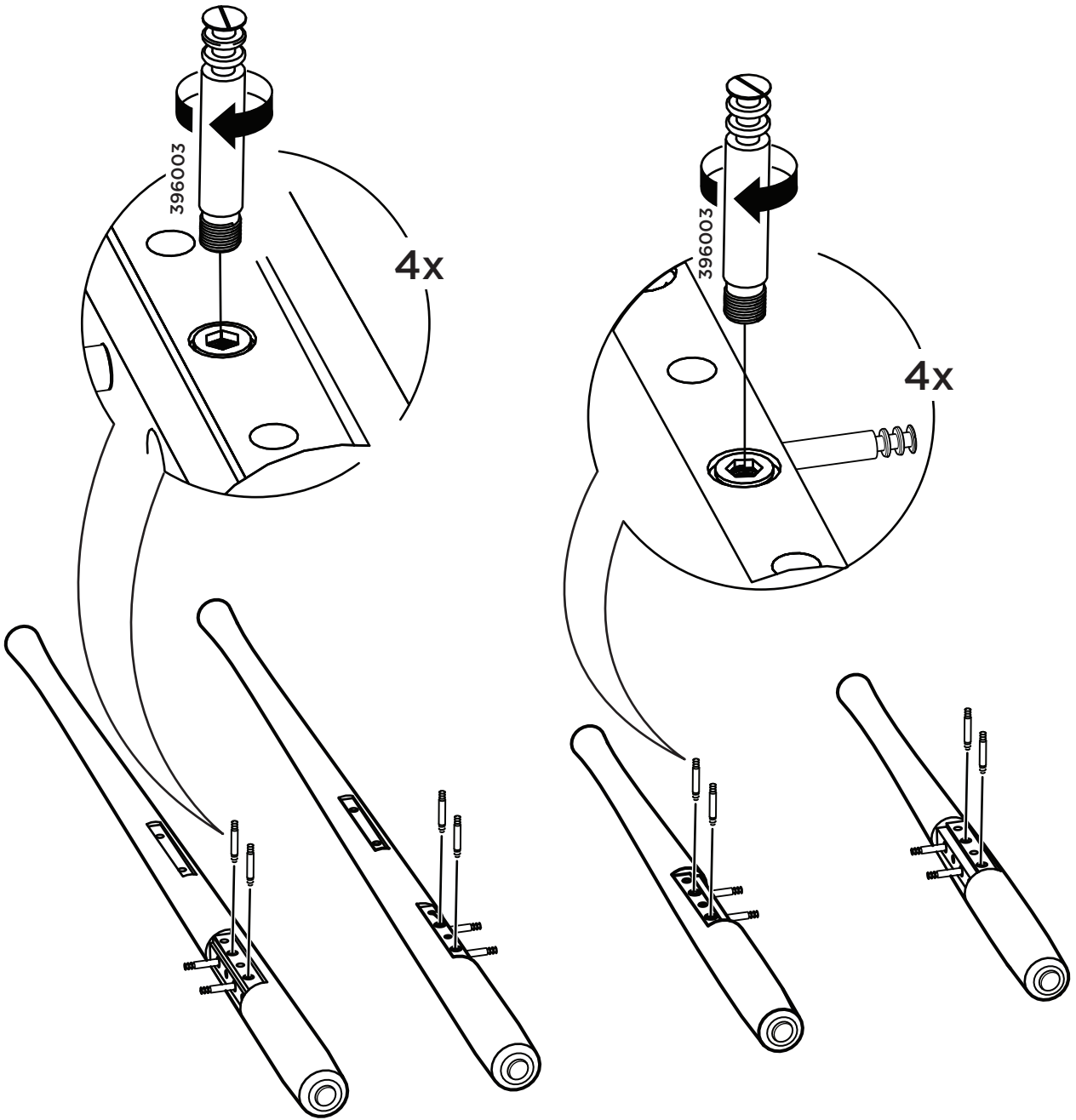
2x

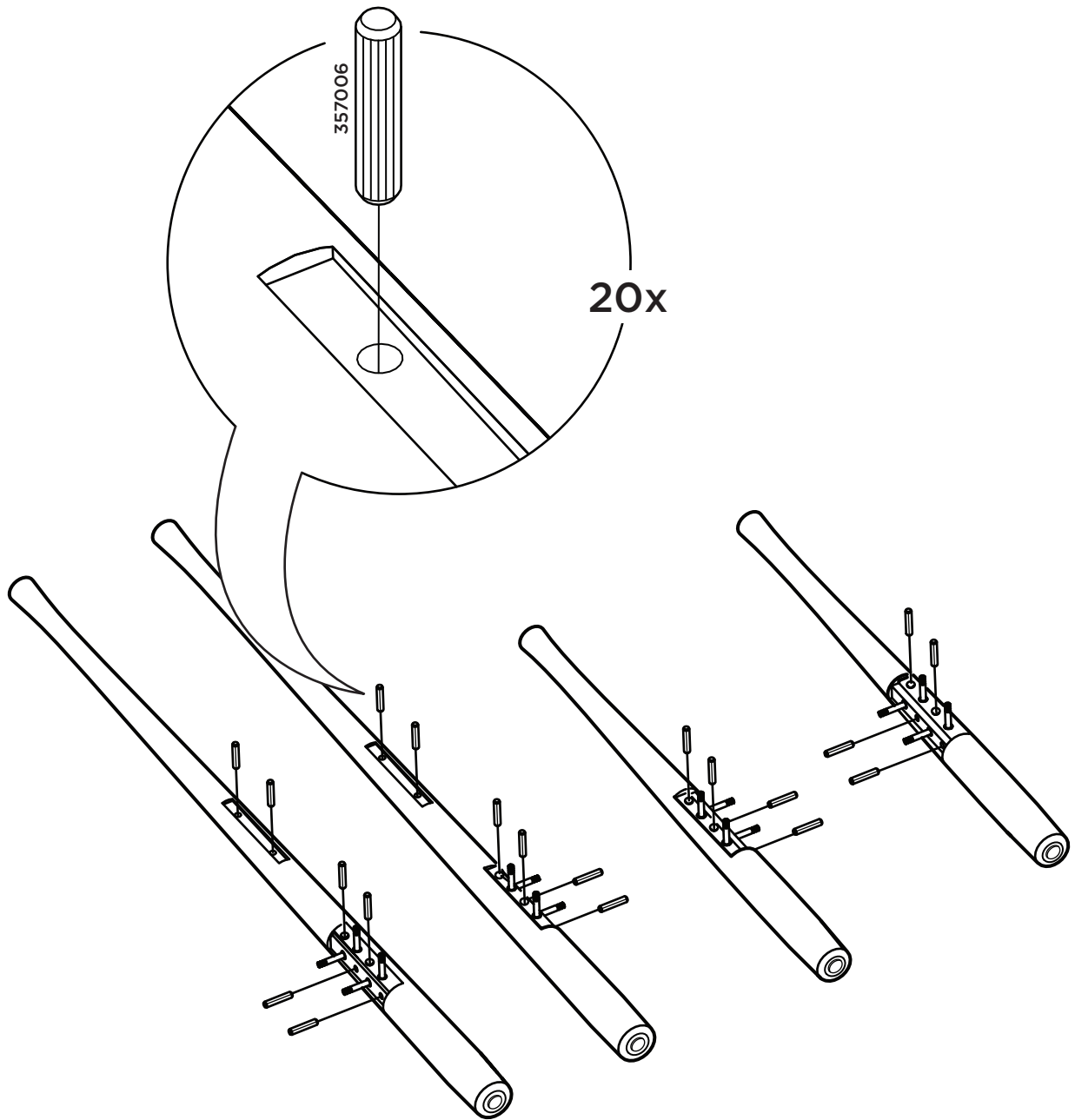




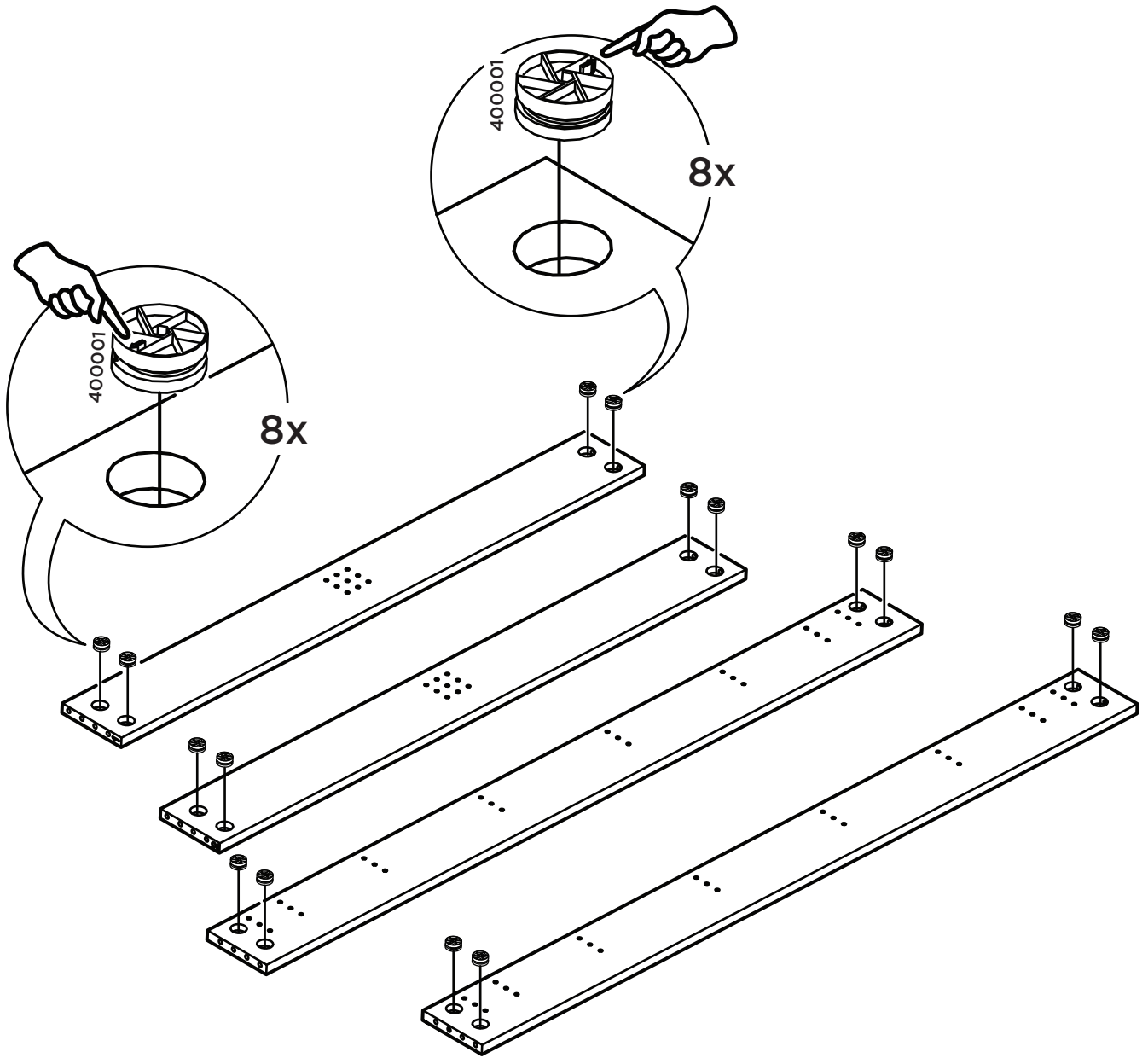
1



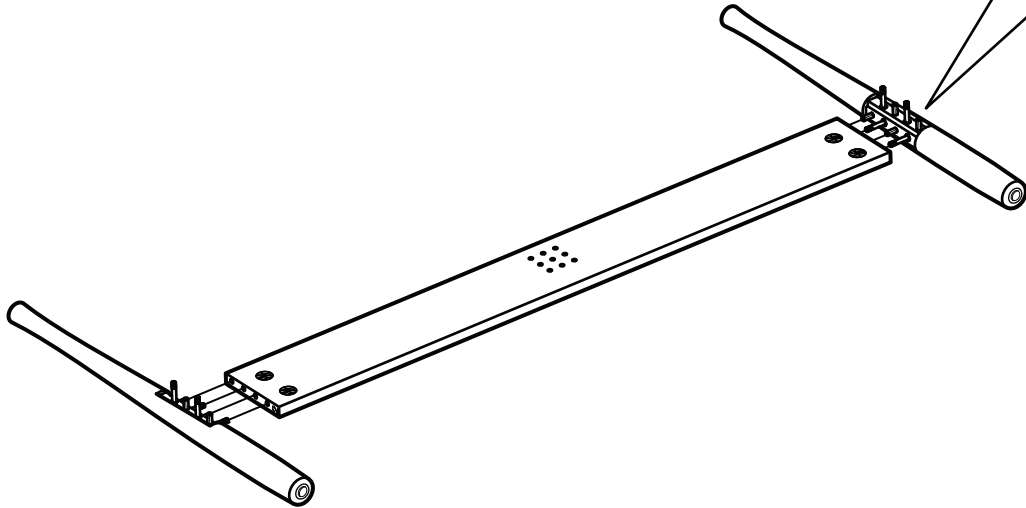
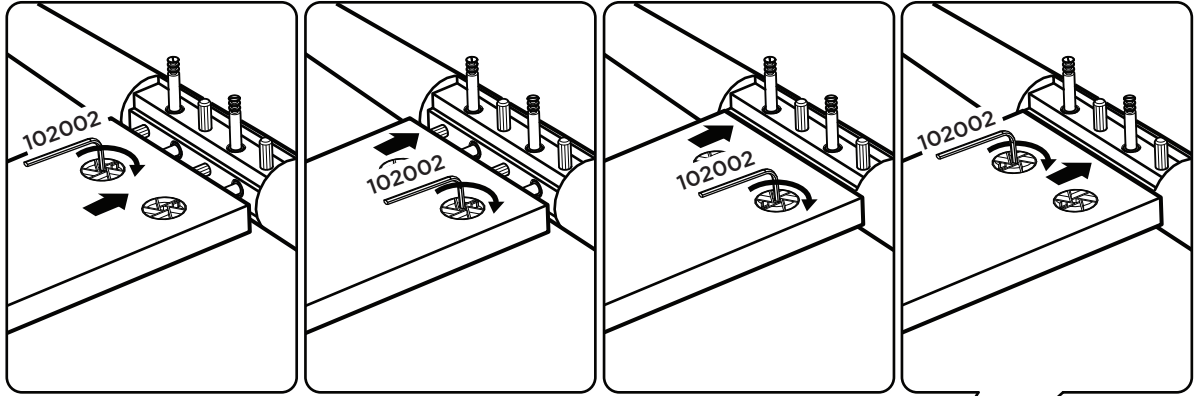




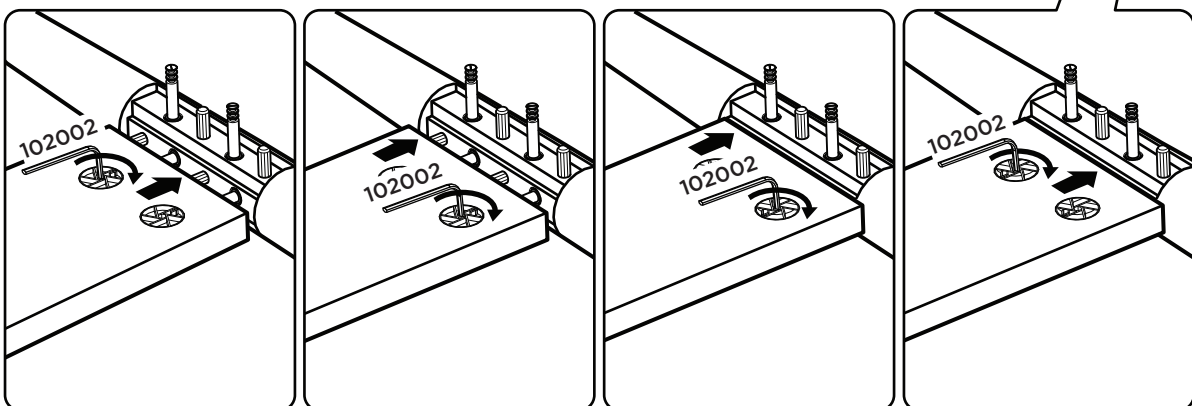
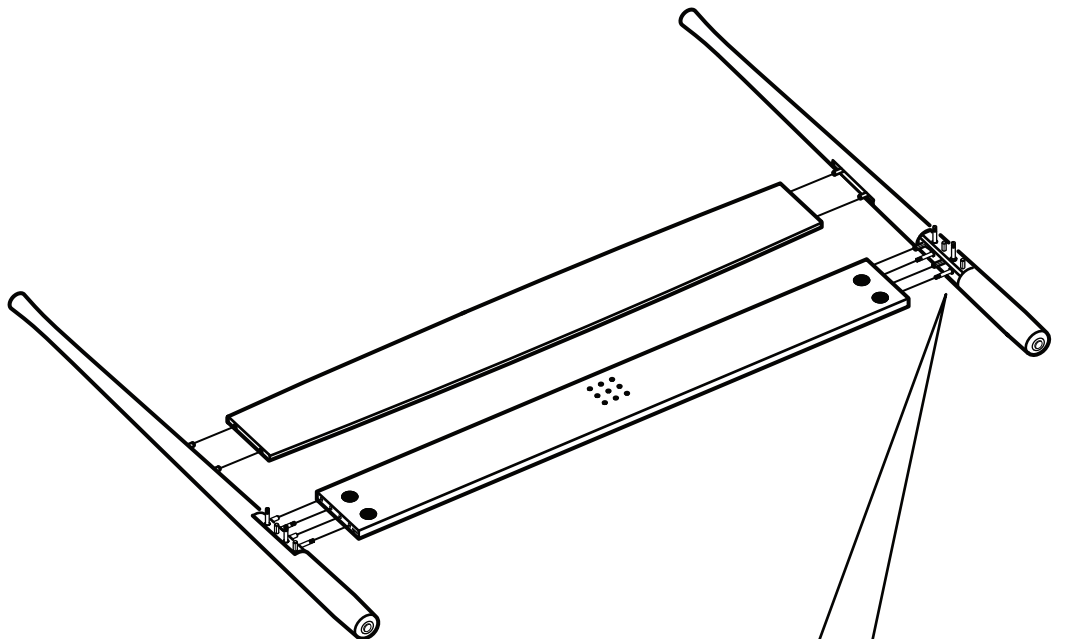


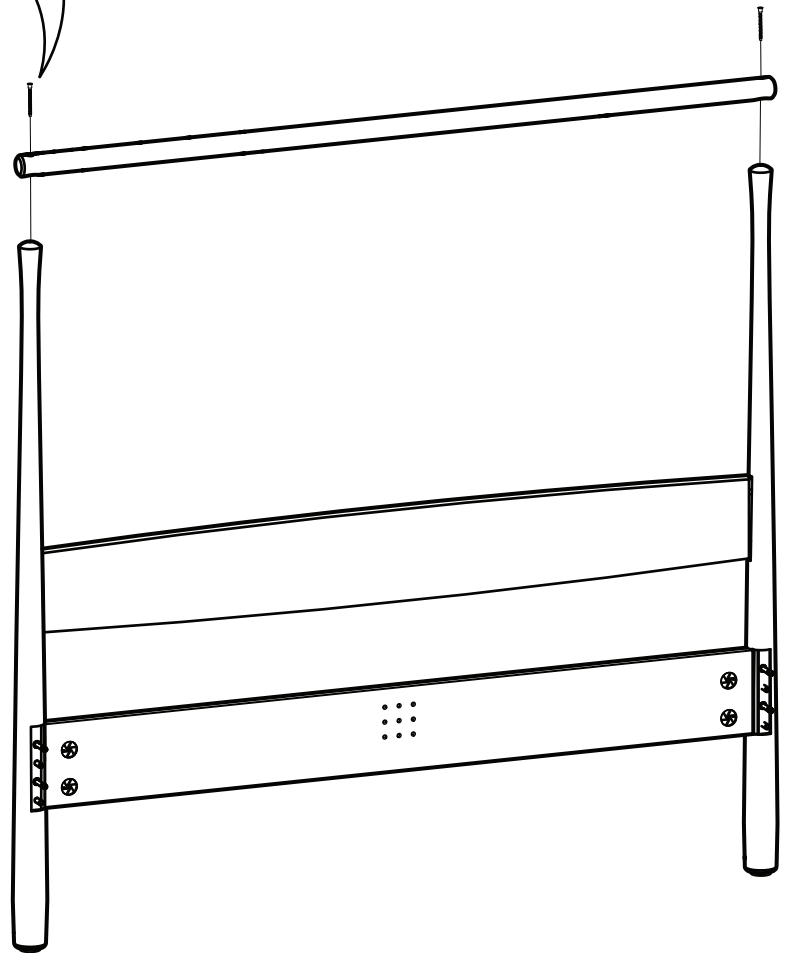
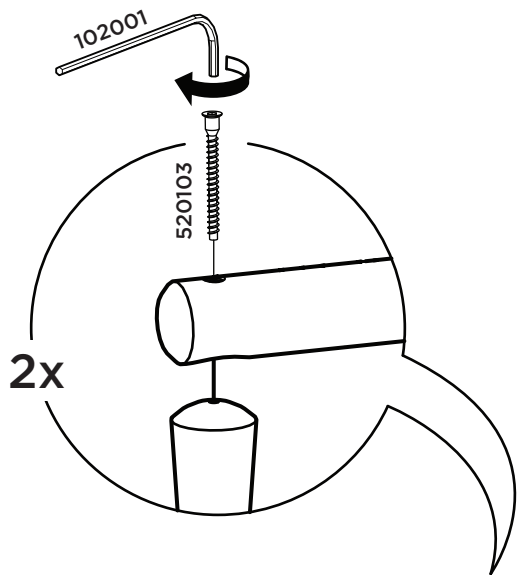


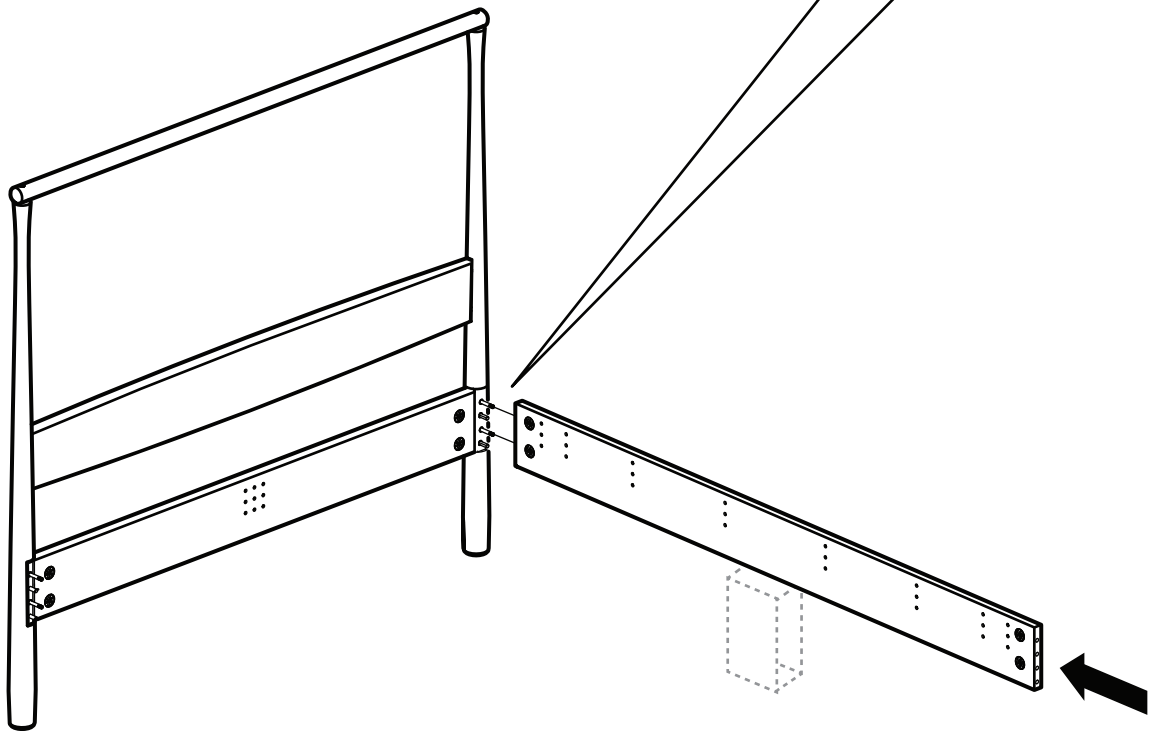
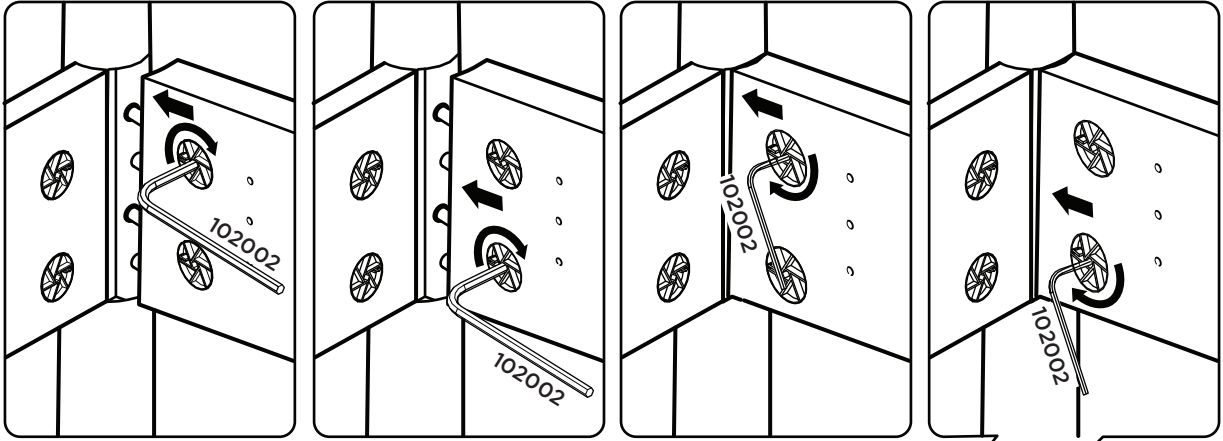
5

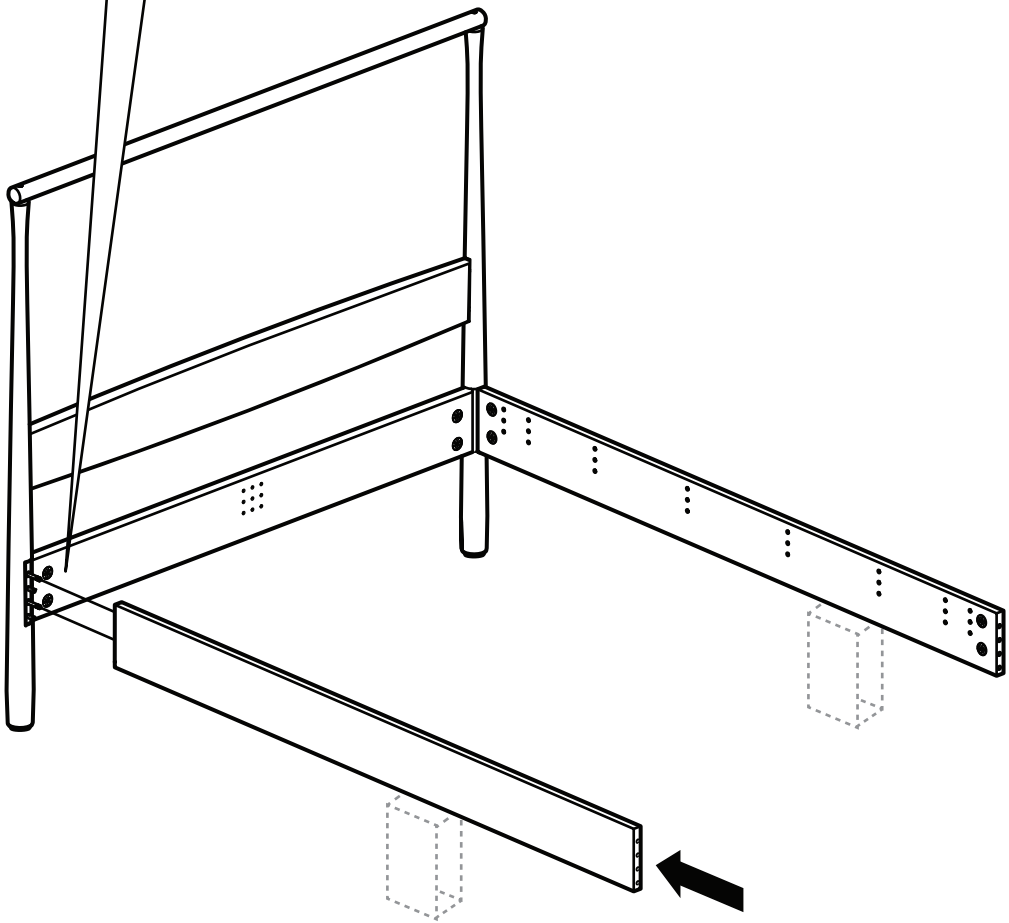
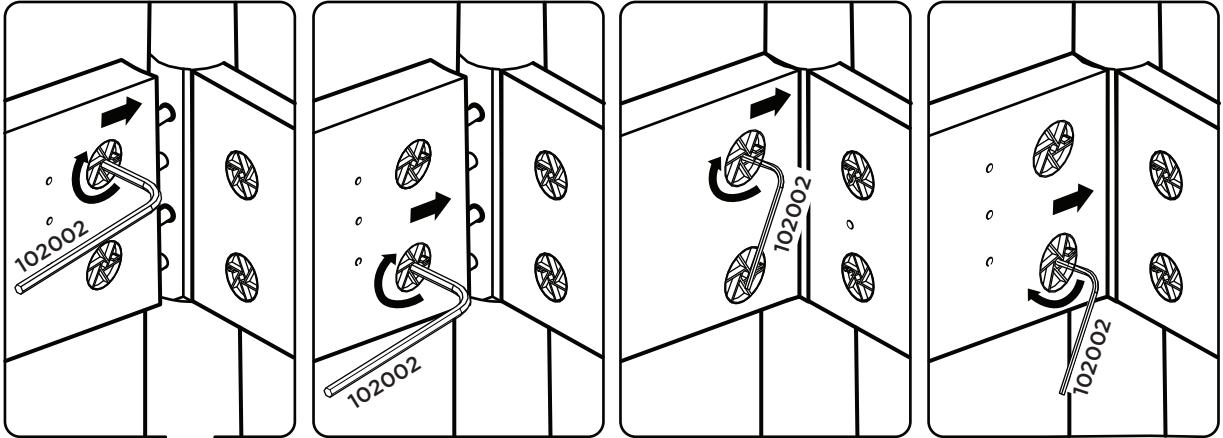


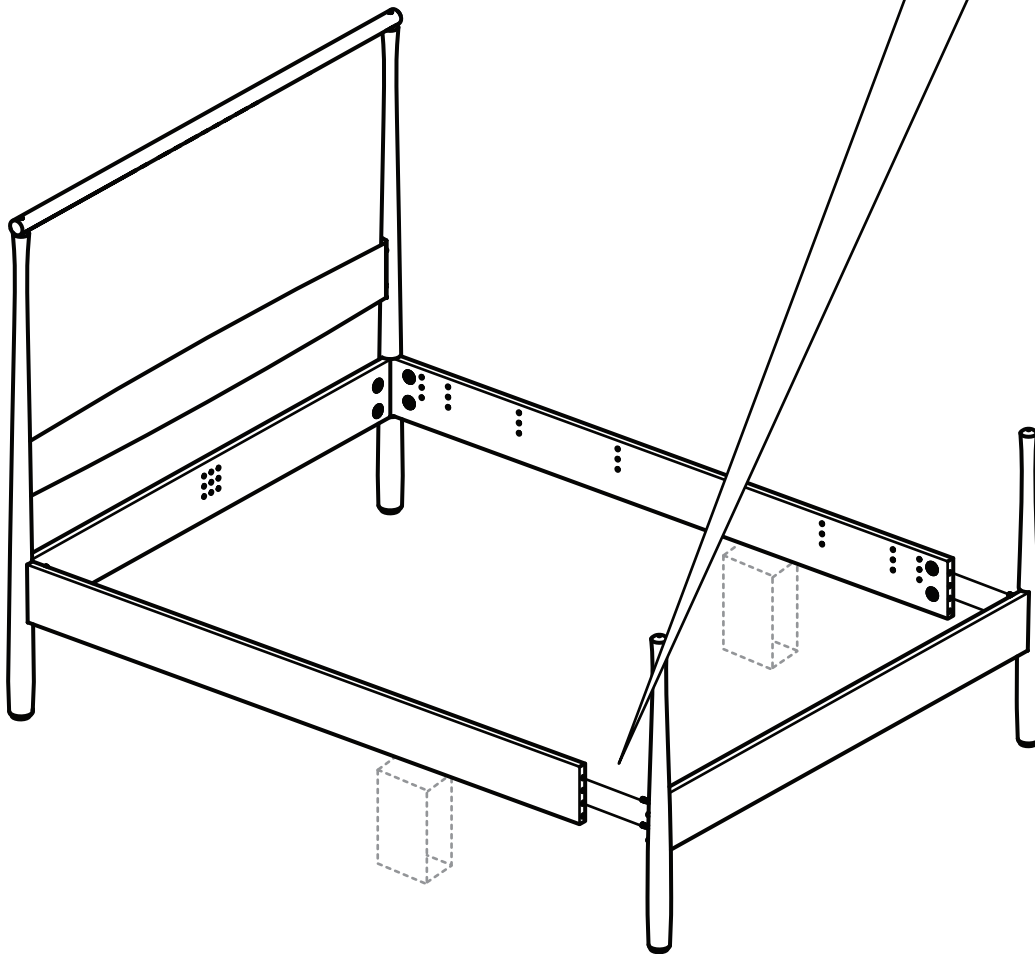
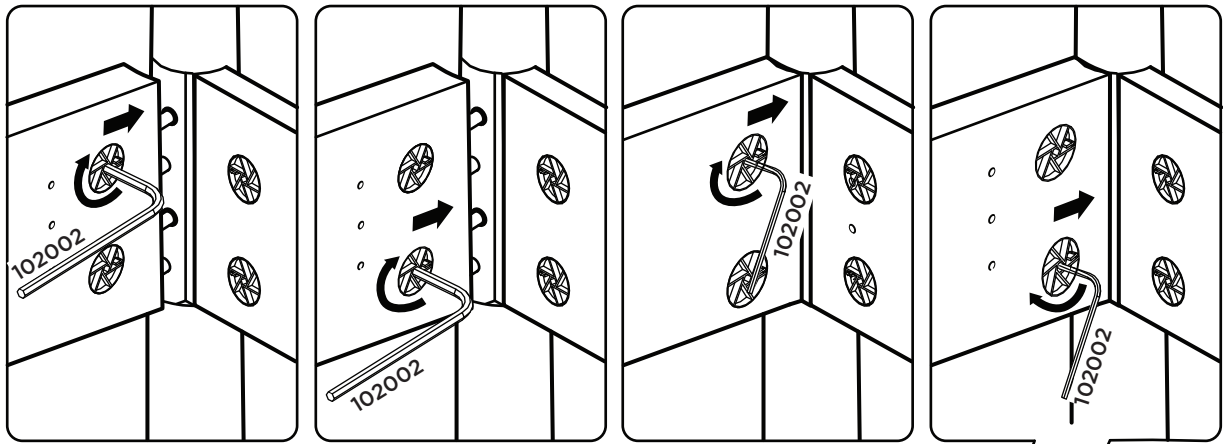
6

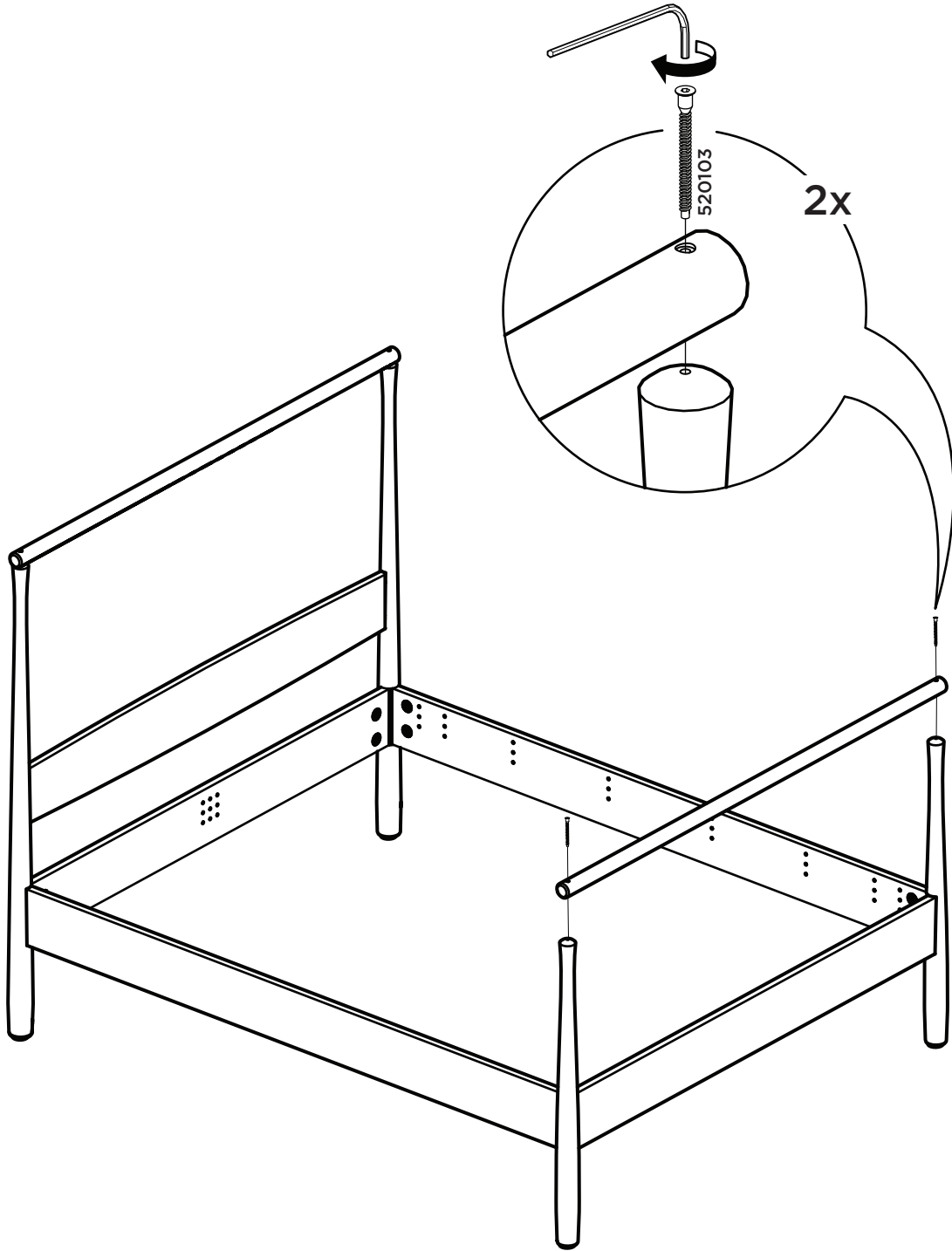


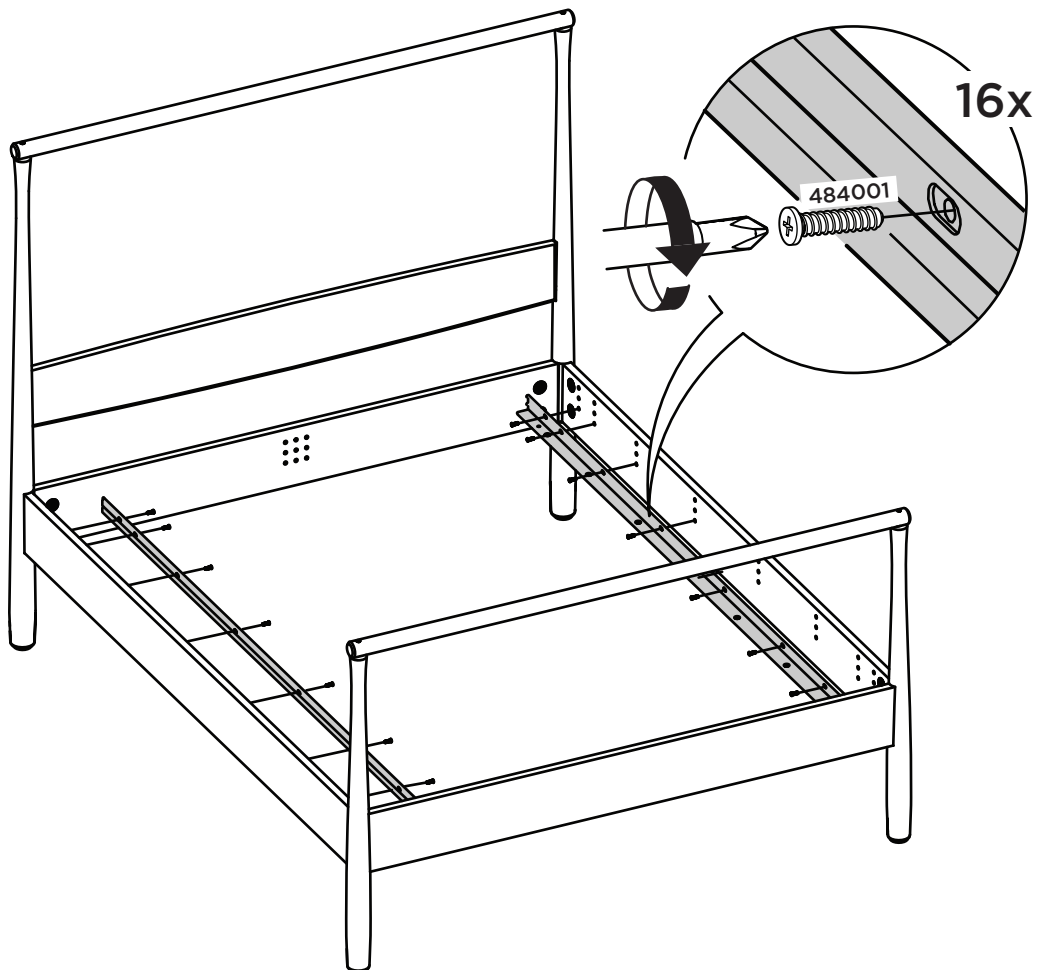
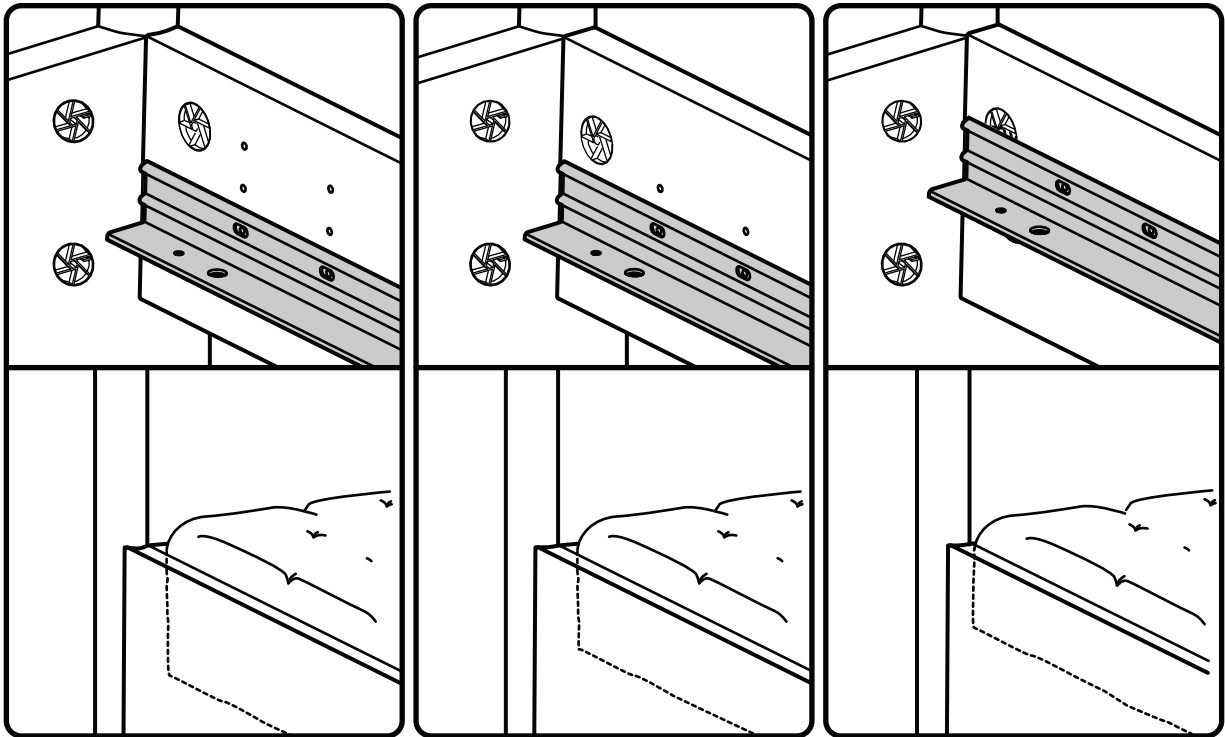




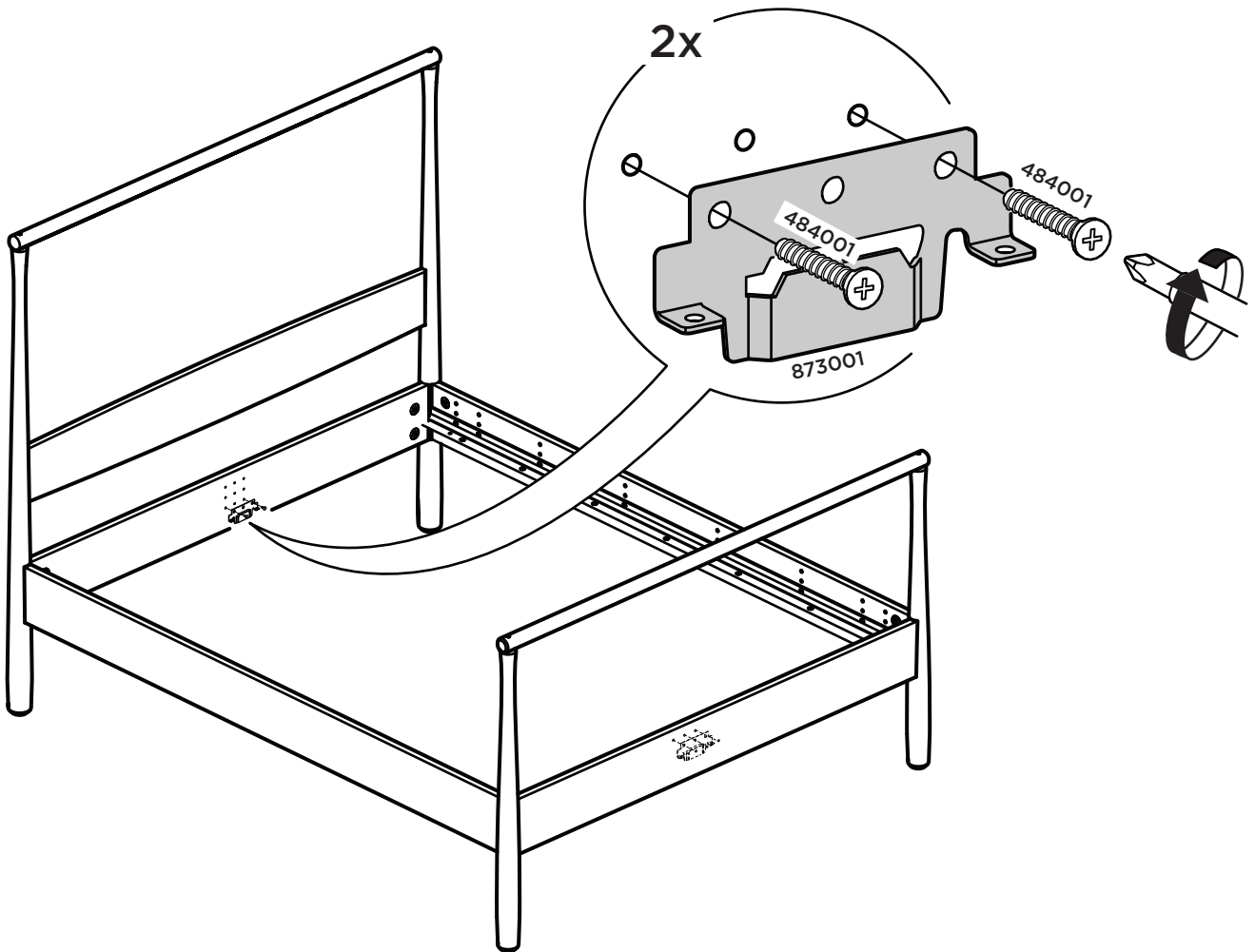
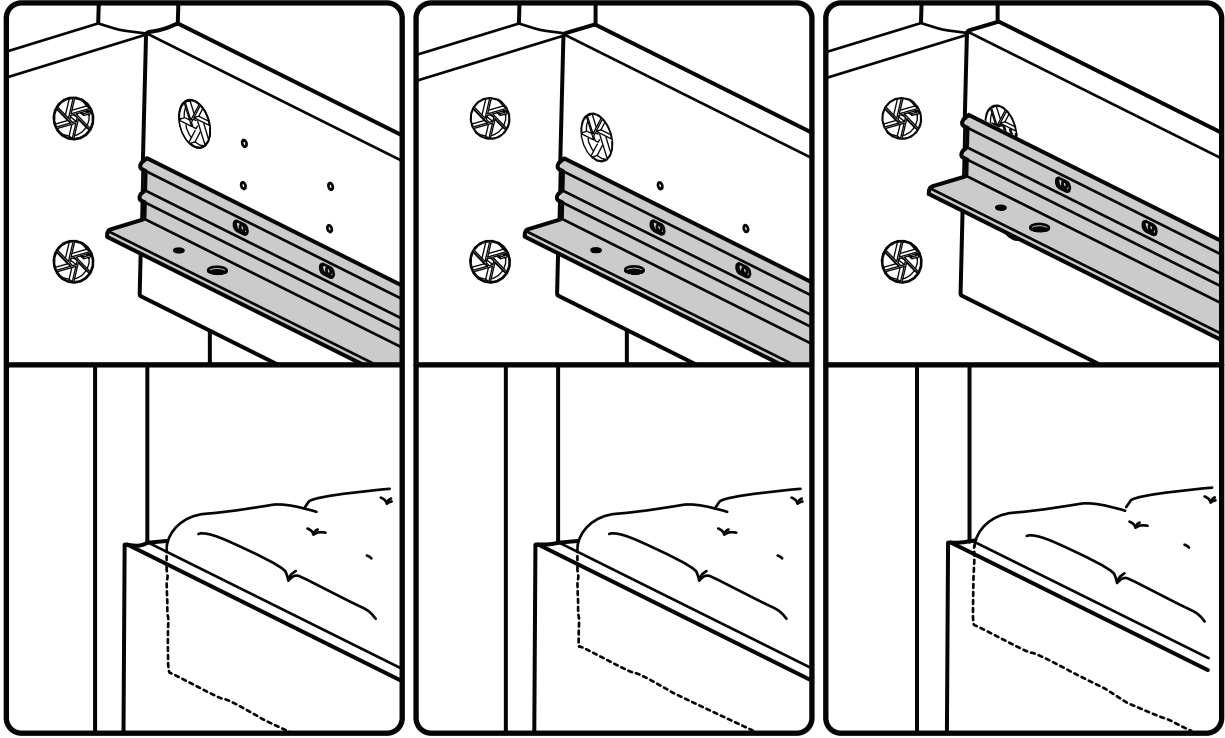


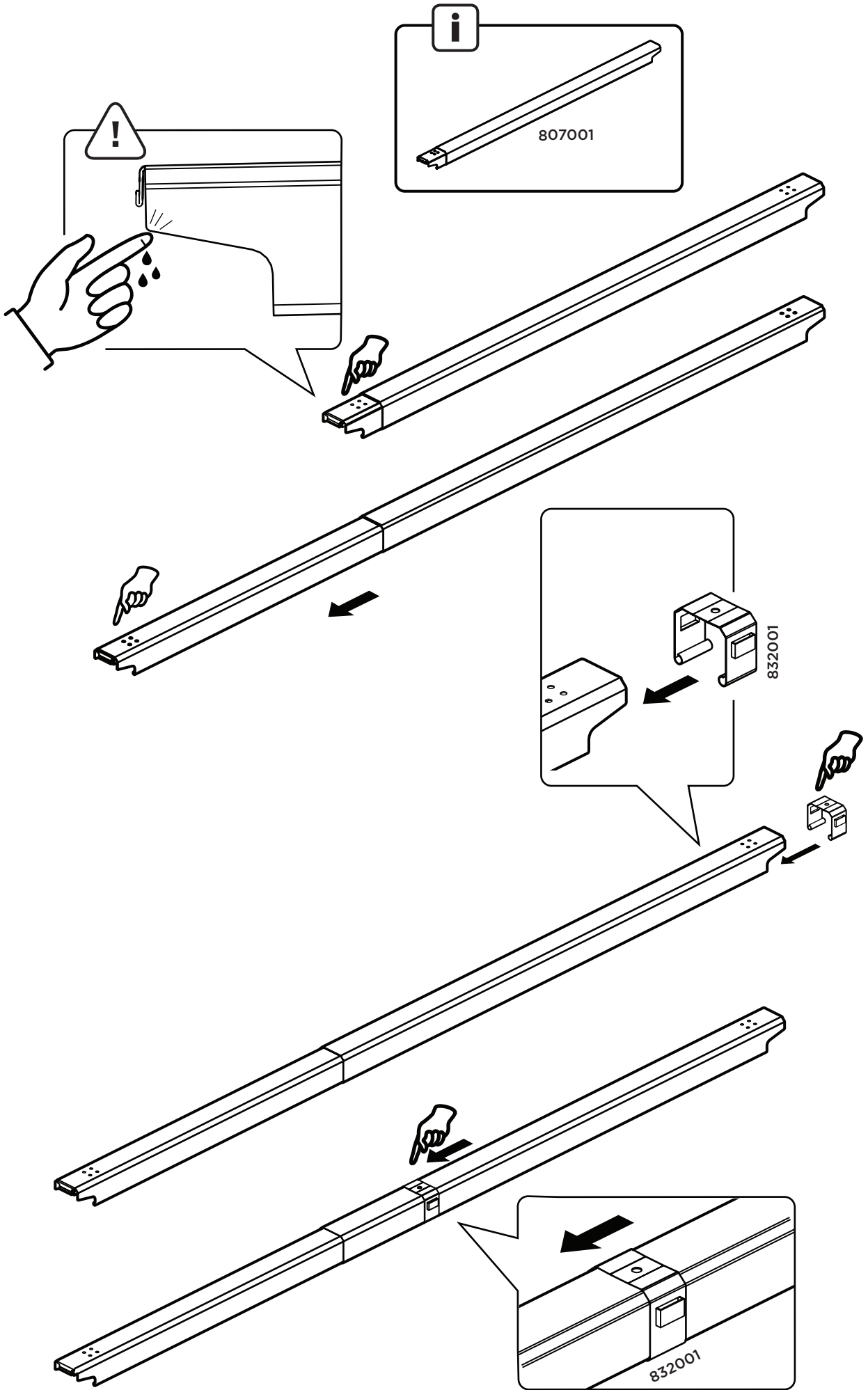


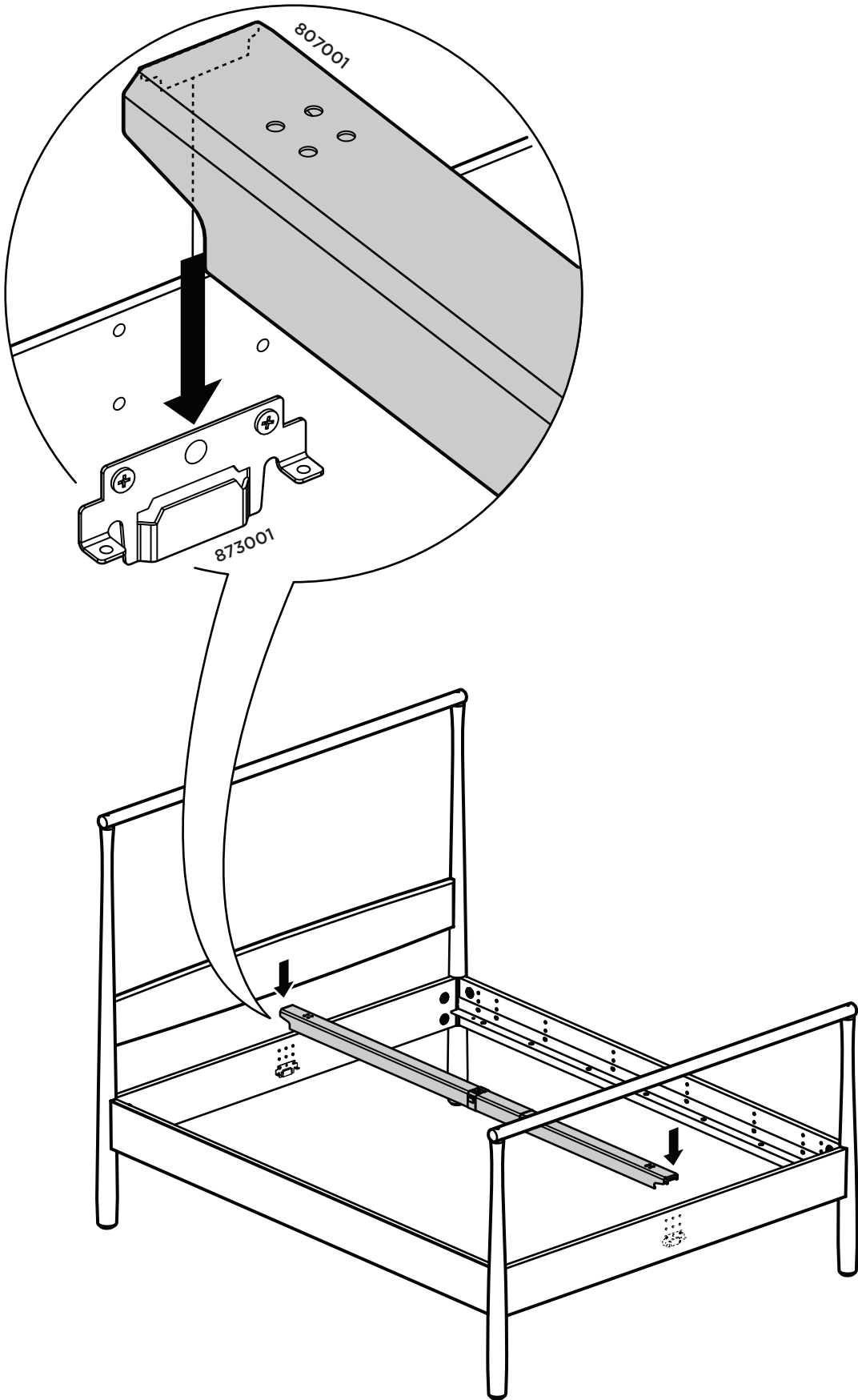


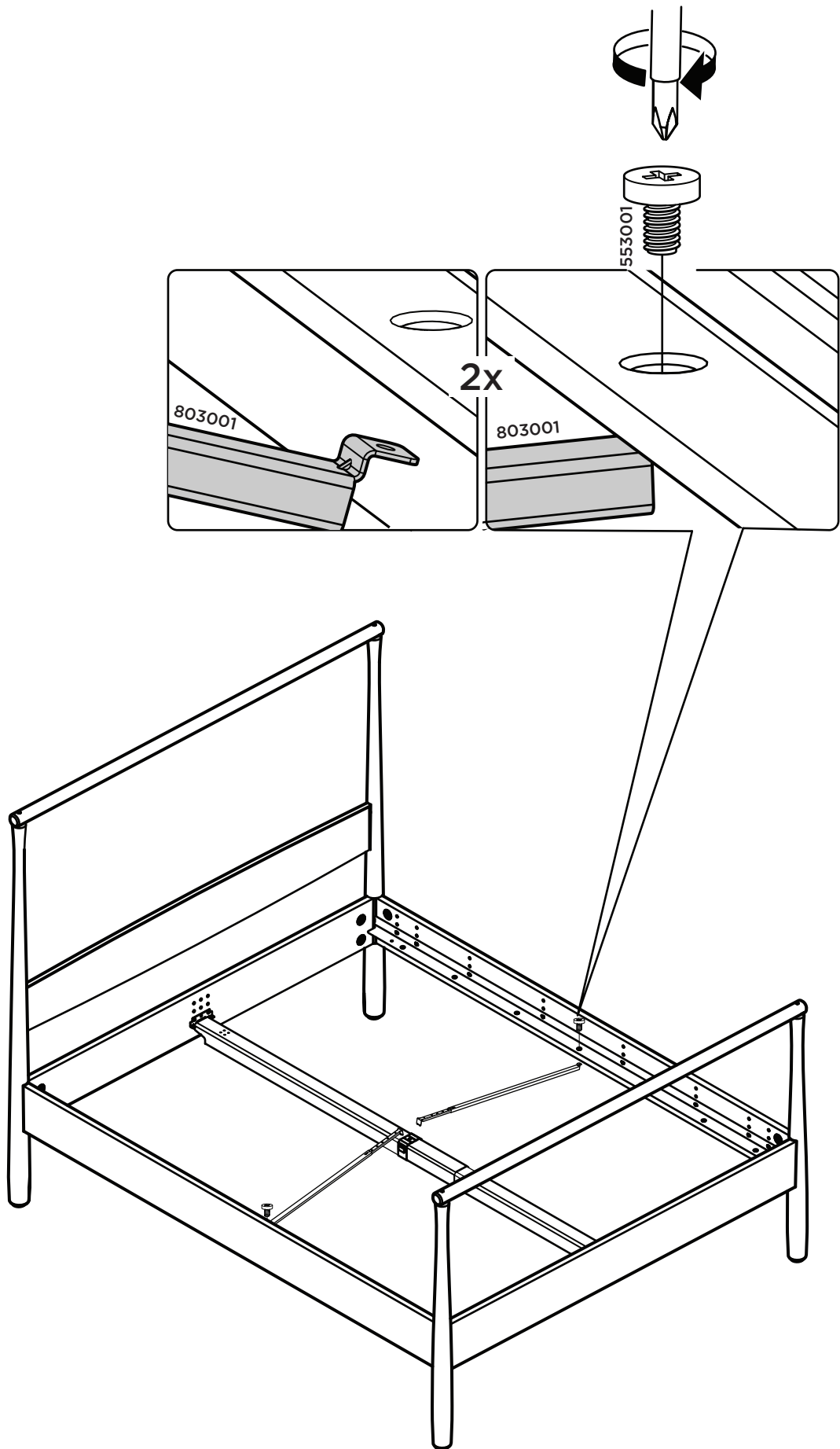


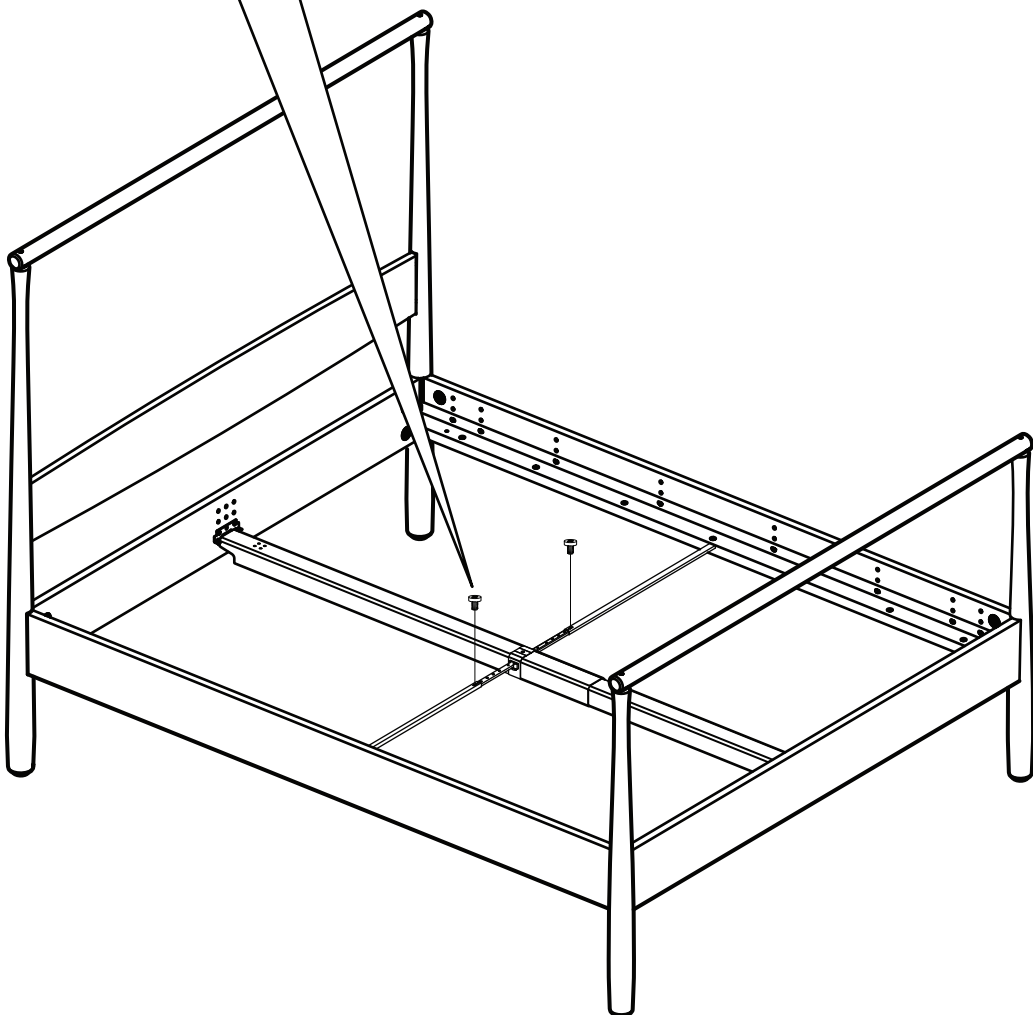
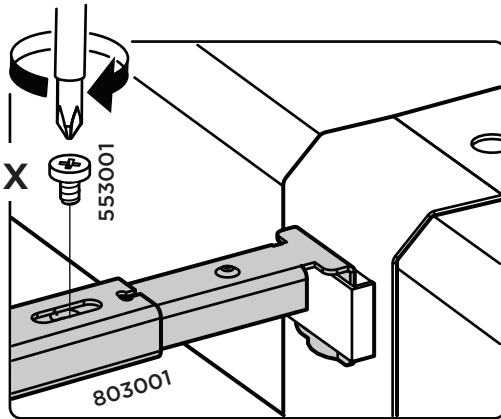
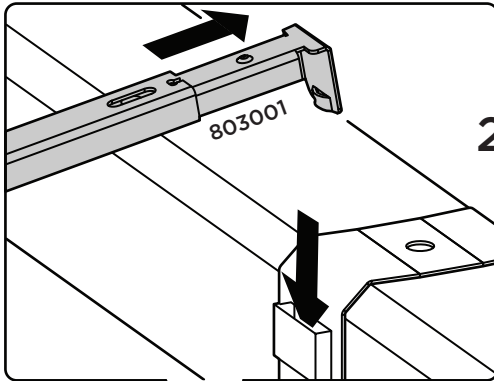
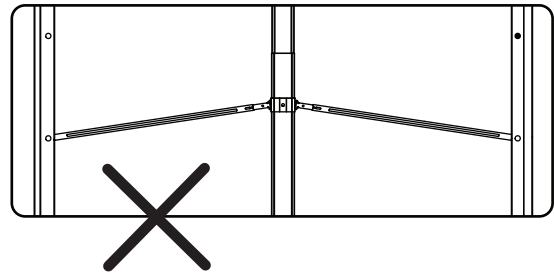
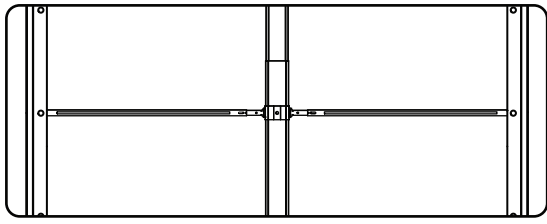


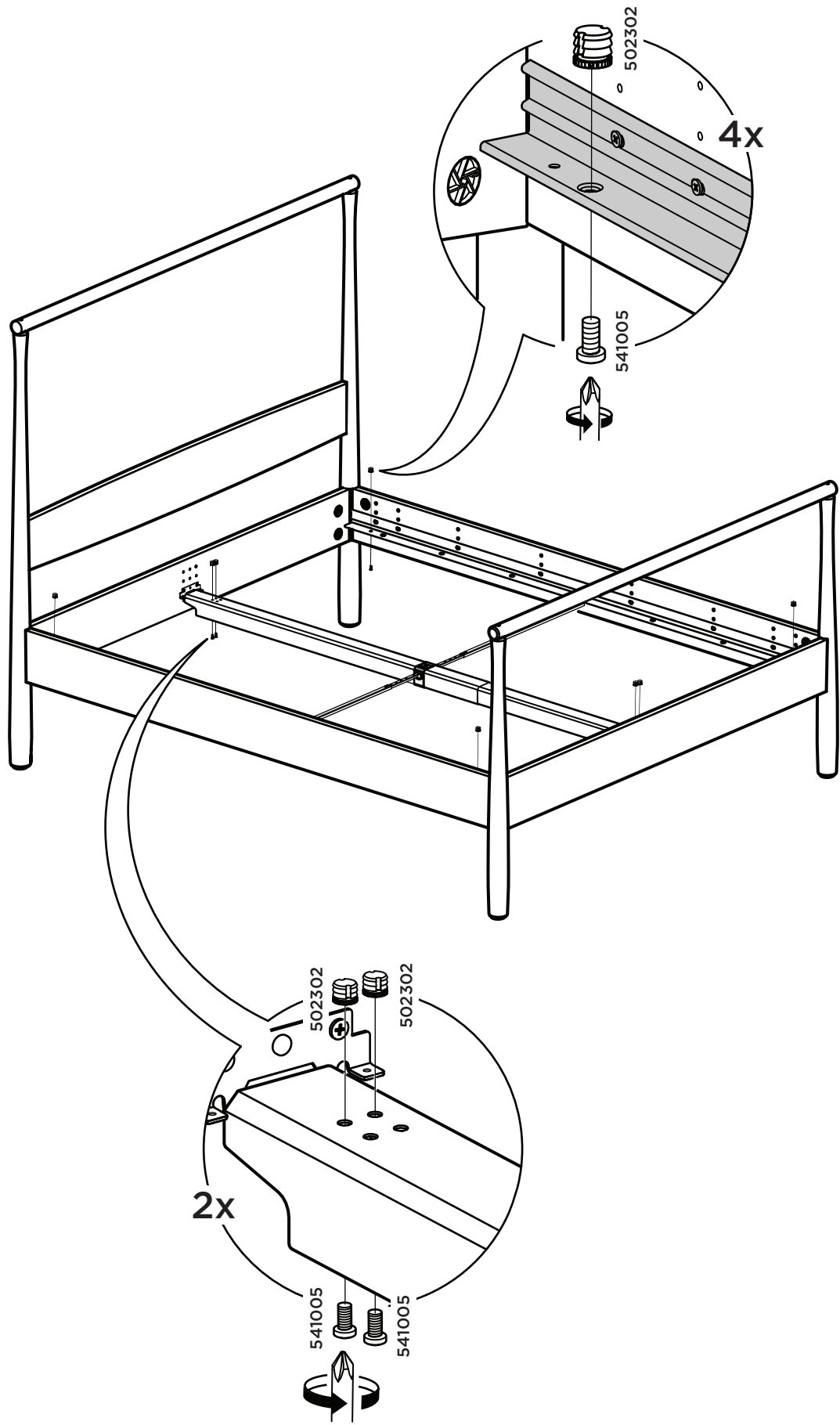




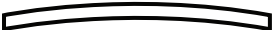





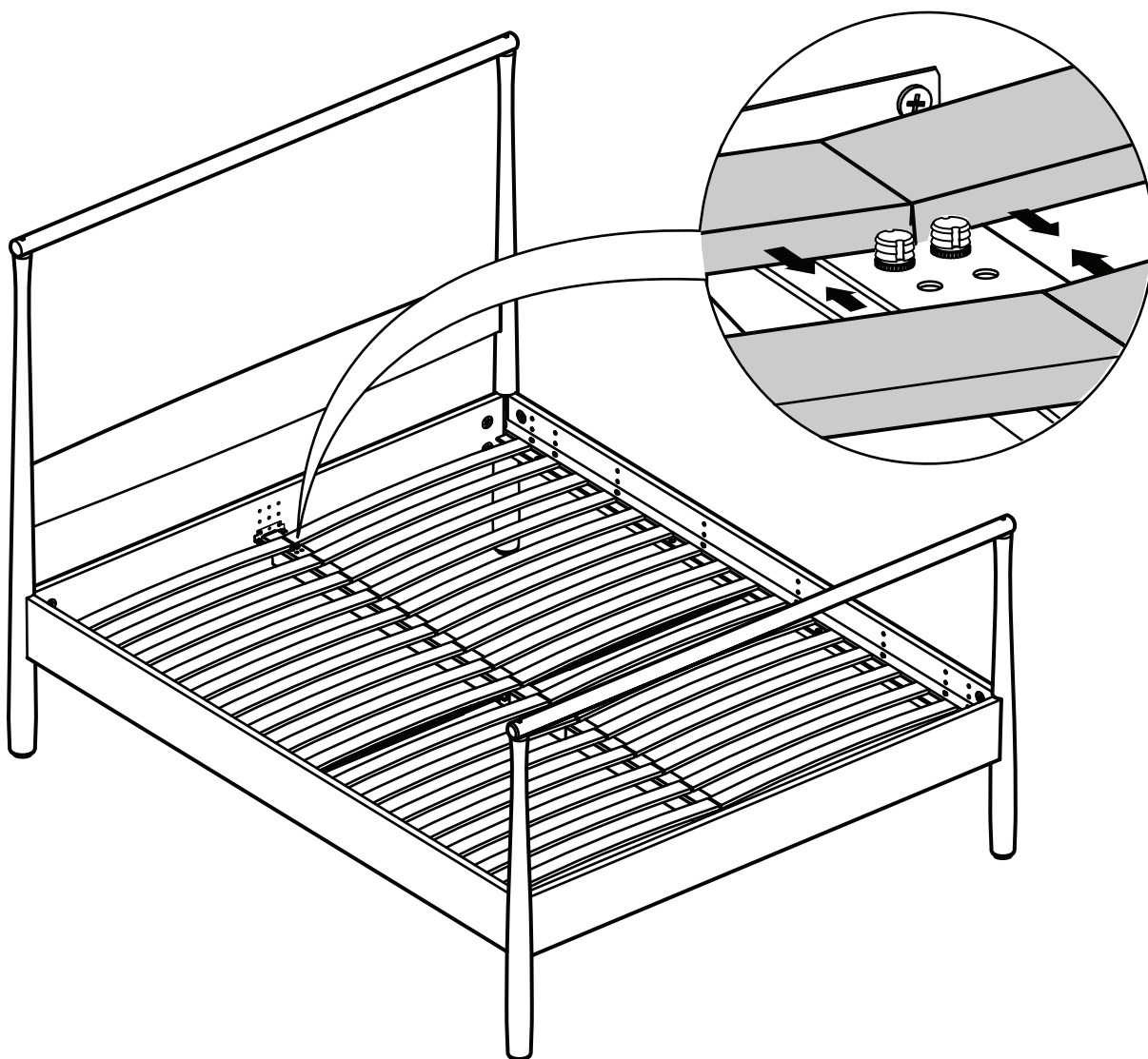








 268.002.02	
 268.002.03	



**metercube**