

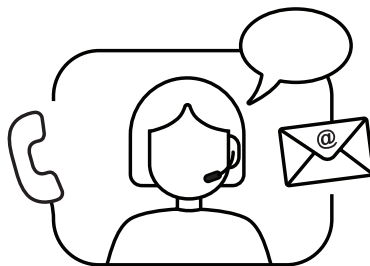
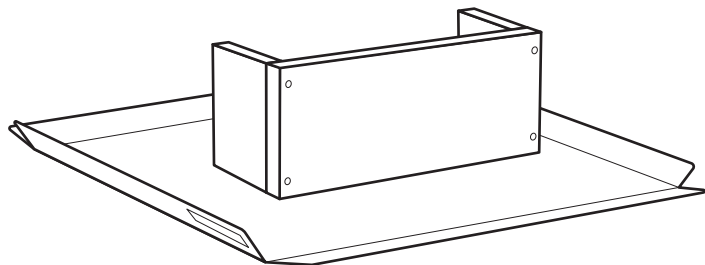
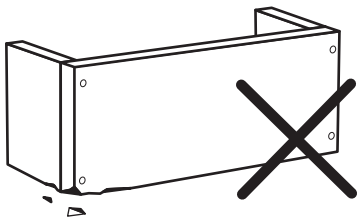
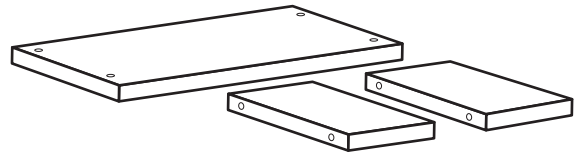
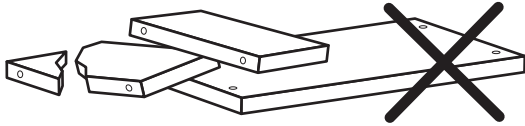
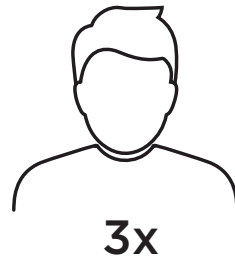
era

112.006.01

112.006.02

112.006.03

112.006.04





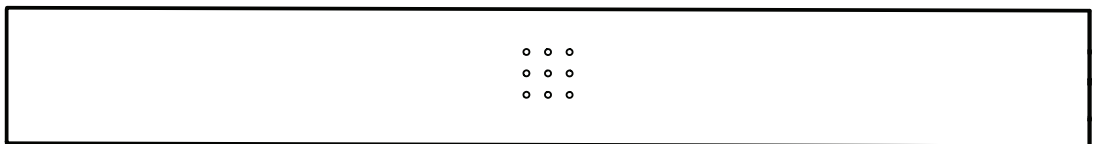
2x



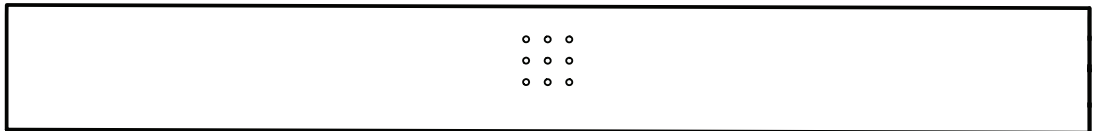
2x



1x



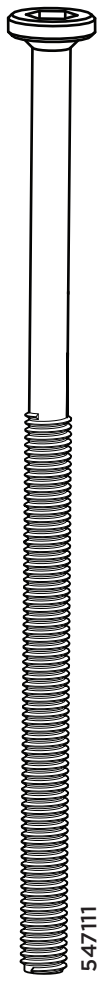
1x



1x

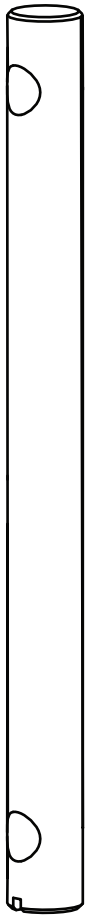


2x



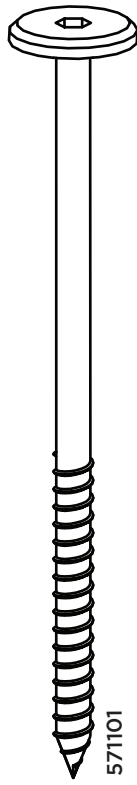
16x

547111



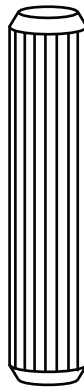
8x

497003



6x

571101



12x

357006



20x

484001



8x

541005



8x

502302



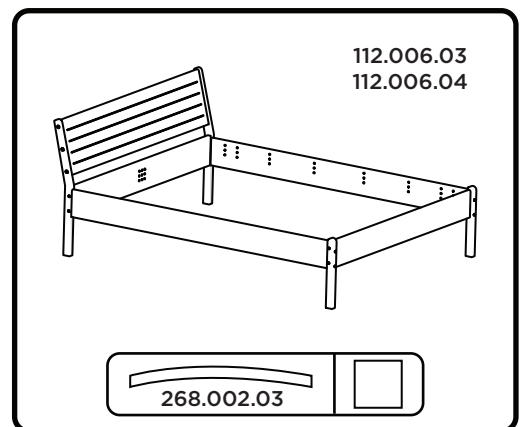
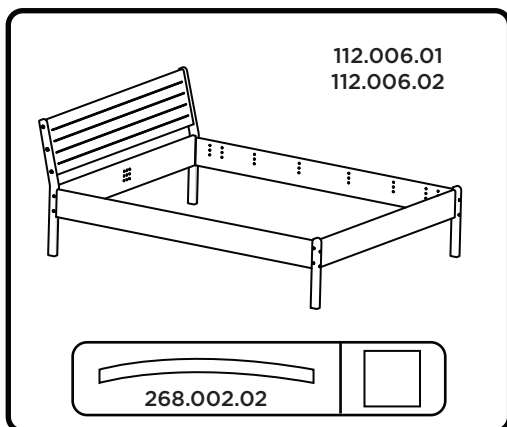
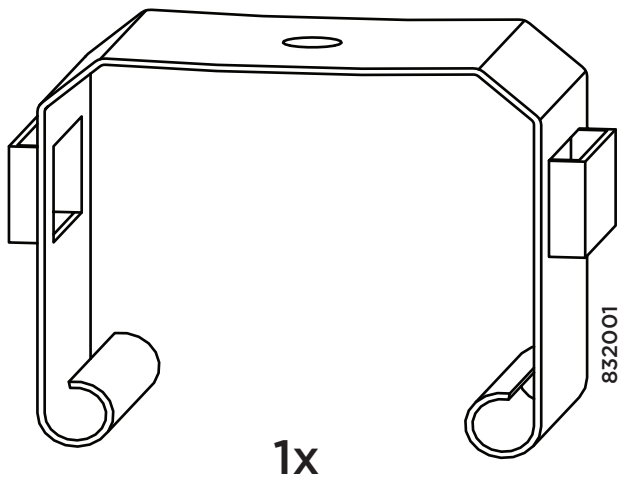
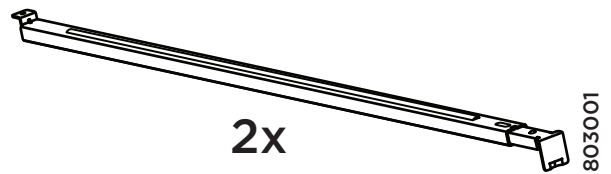
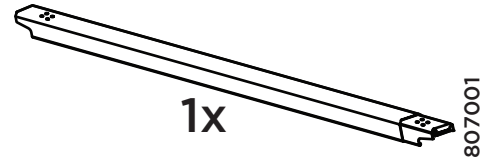
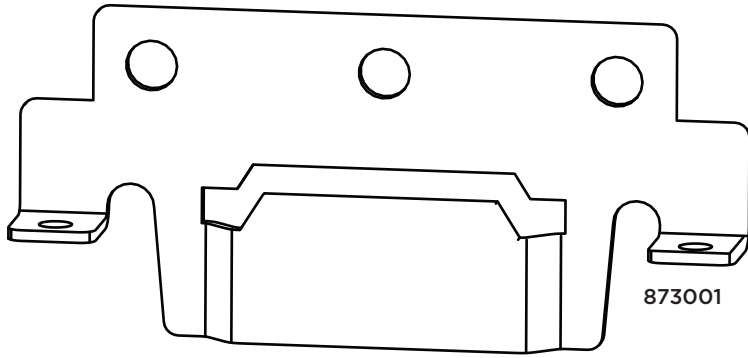
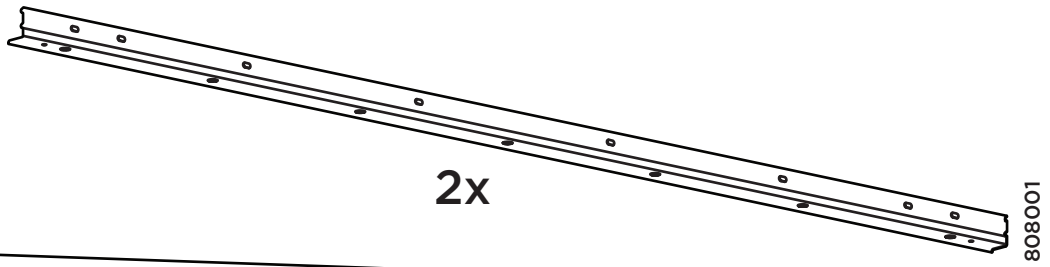
4x

553001

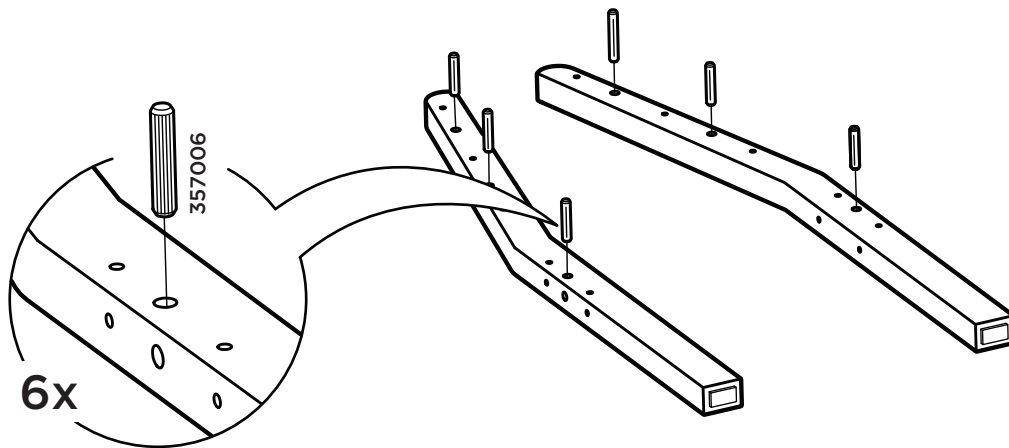


102001

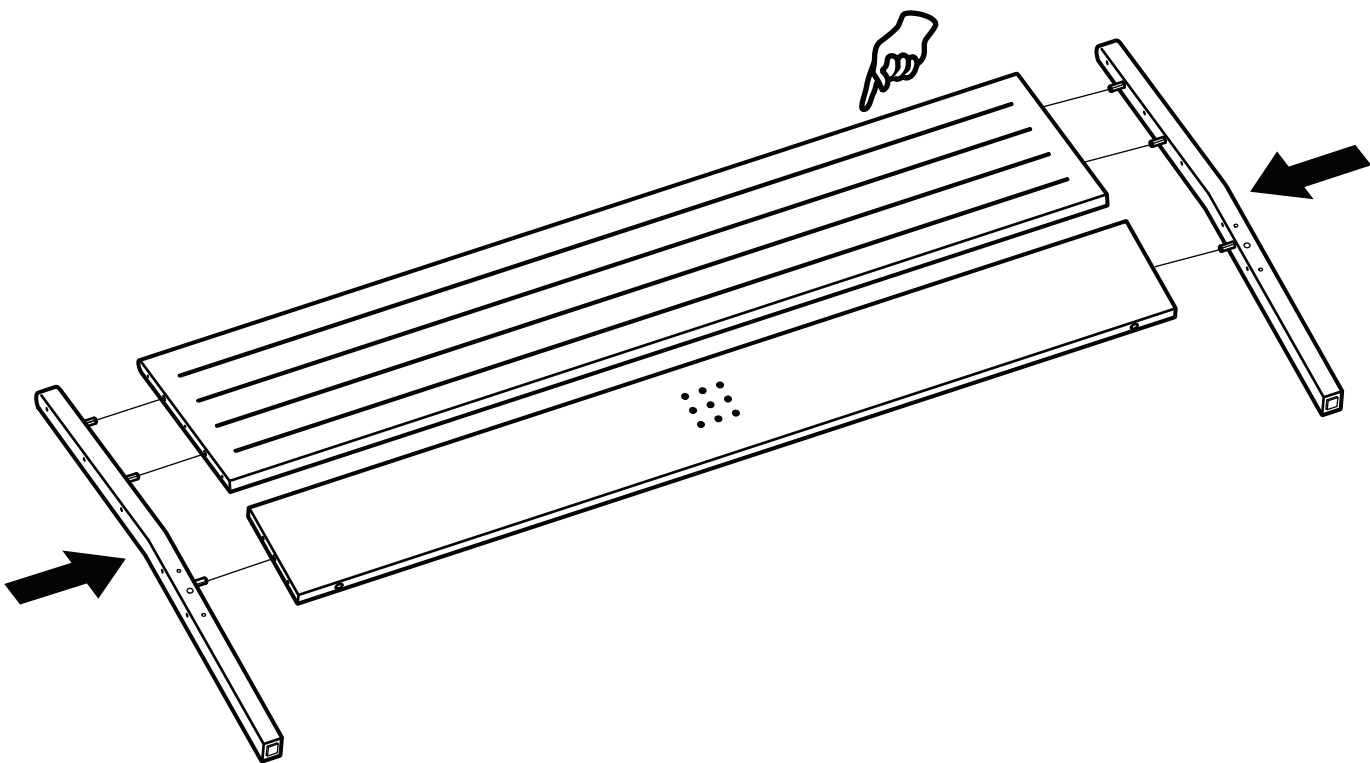
1x



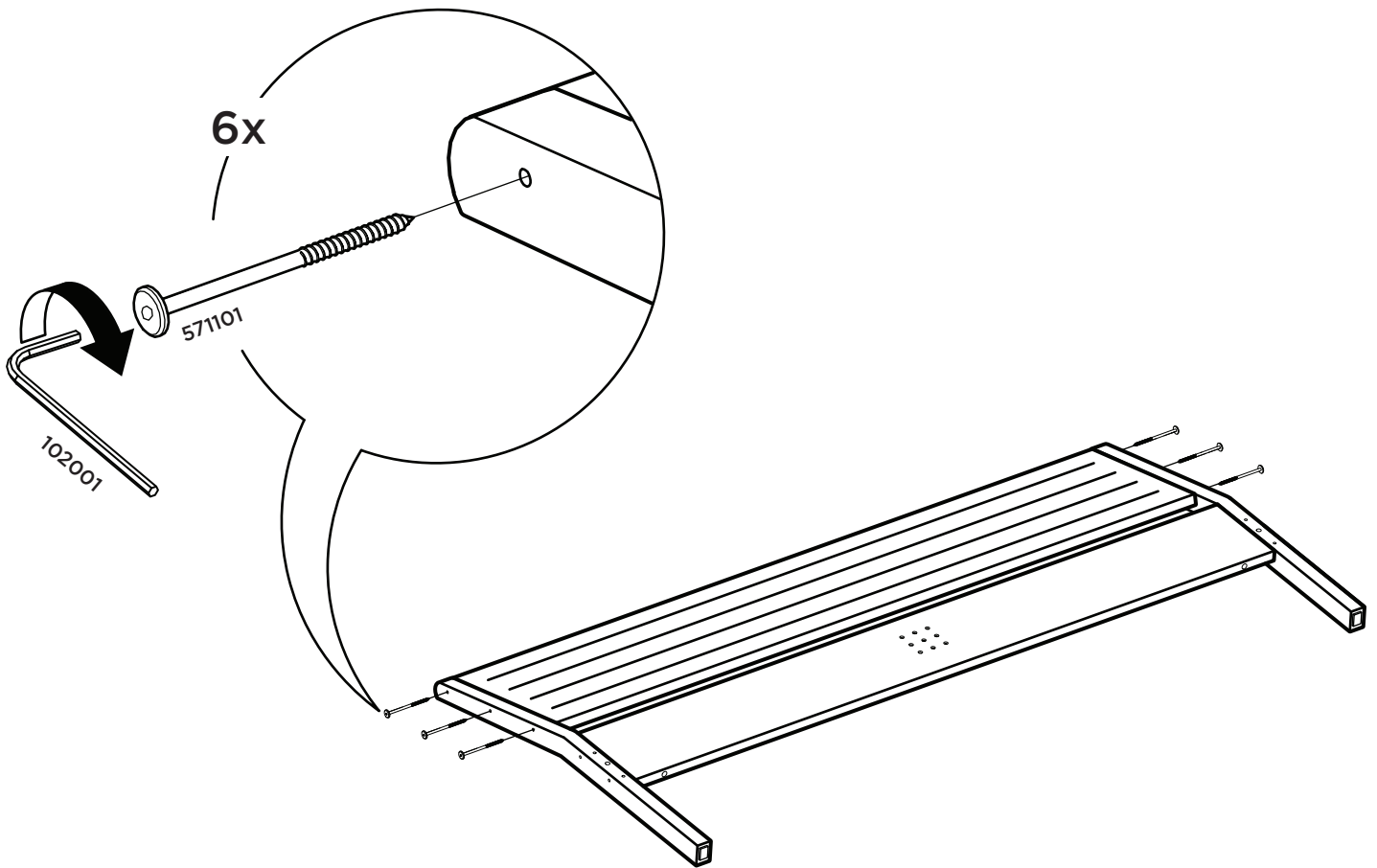
1



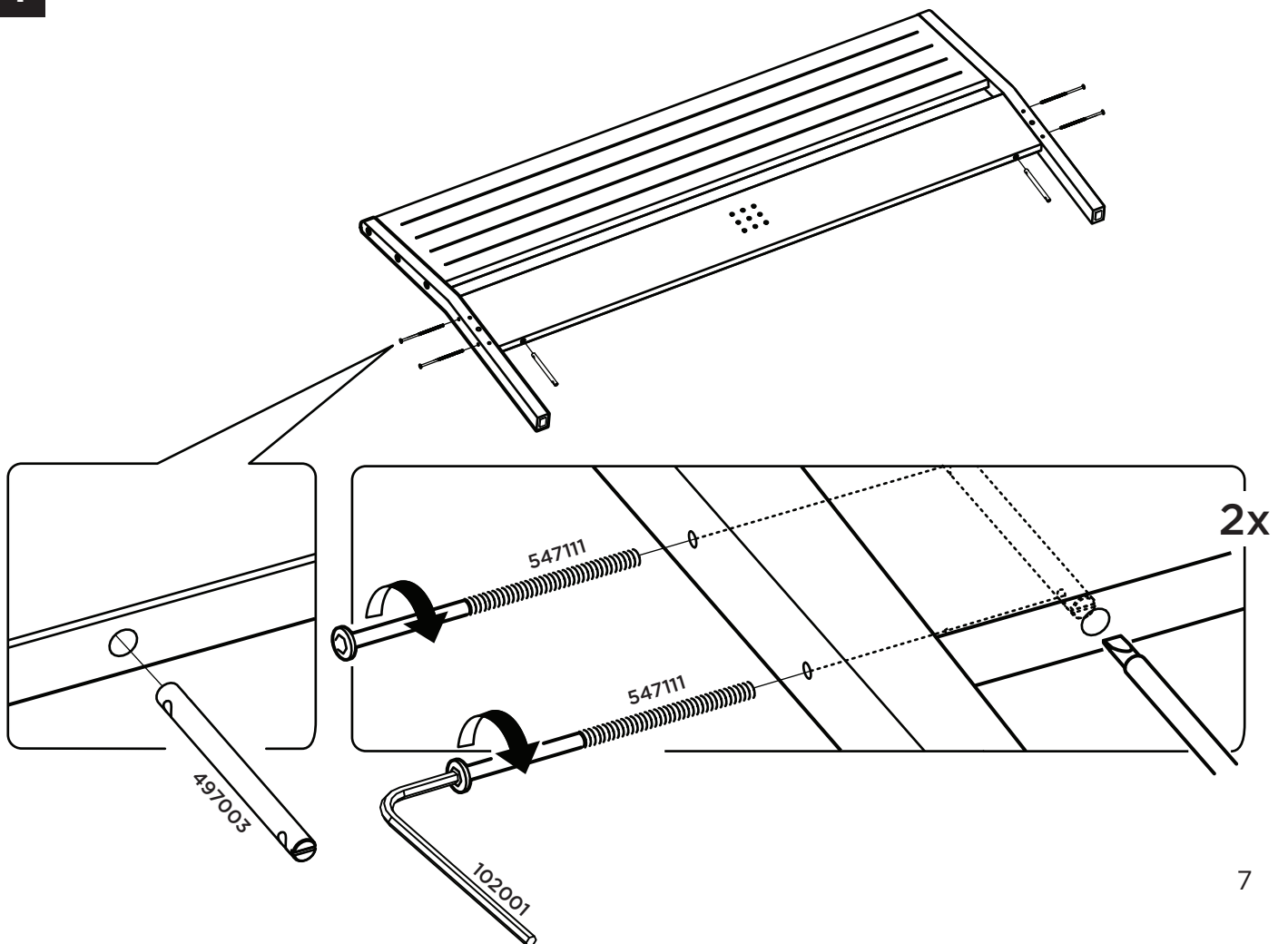
2



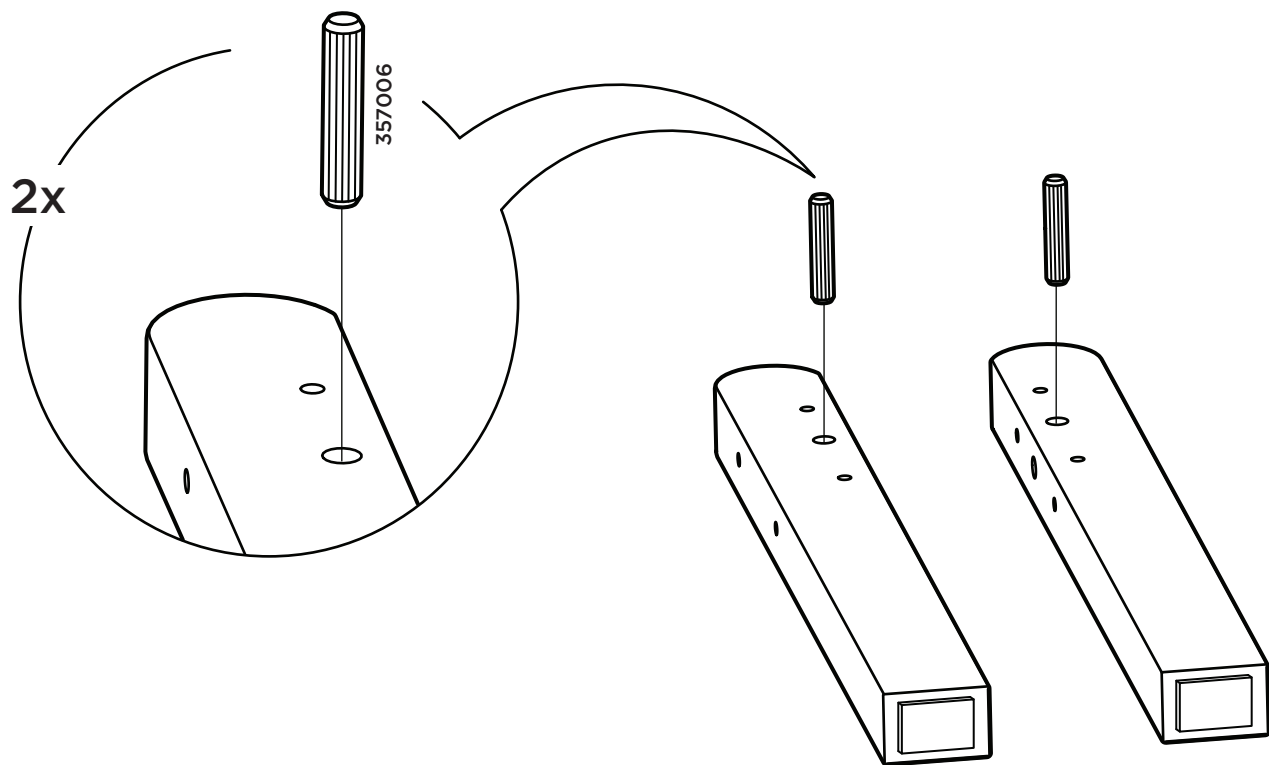
3



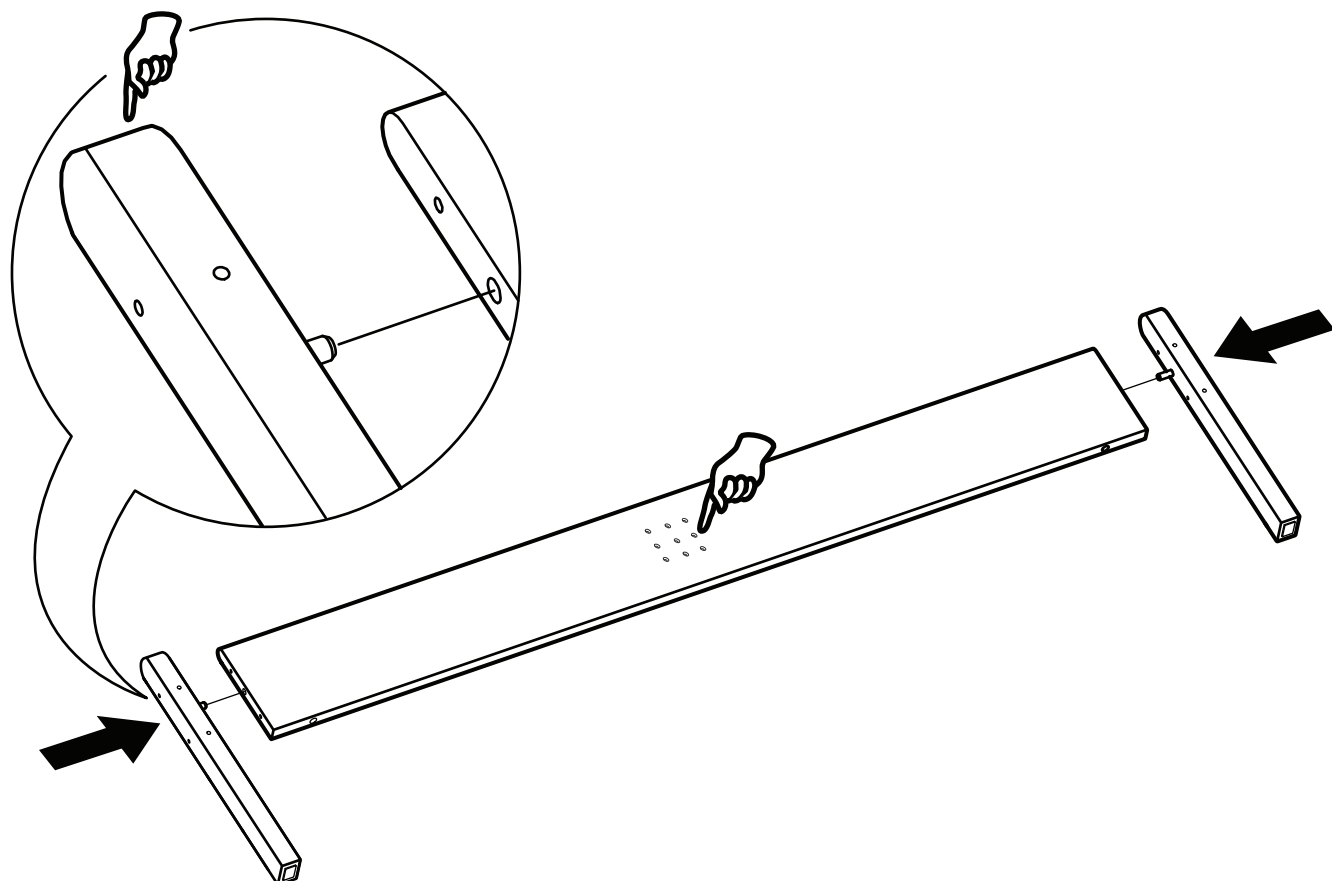
4



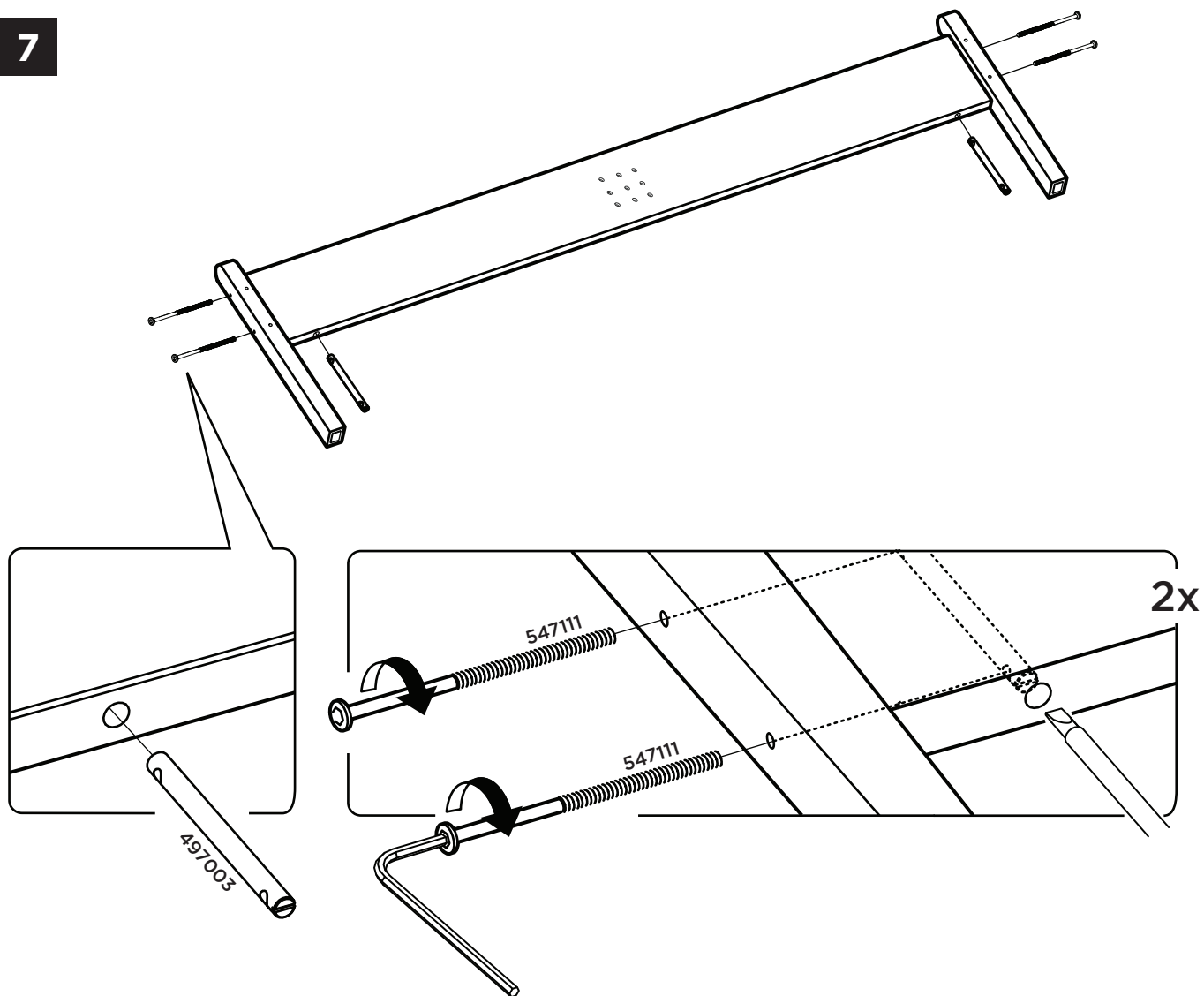
5



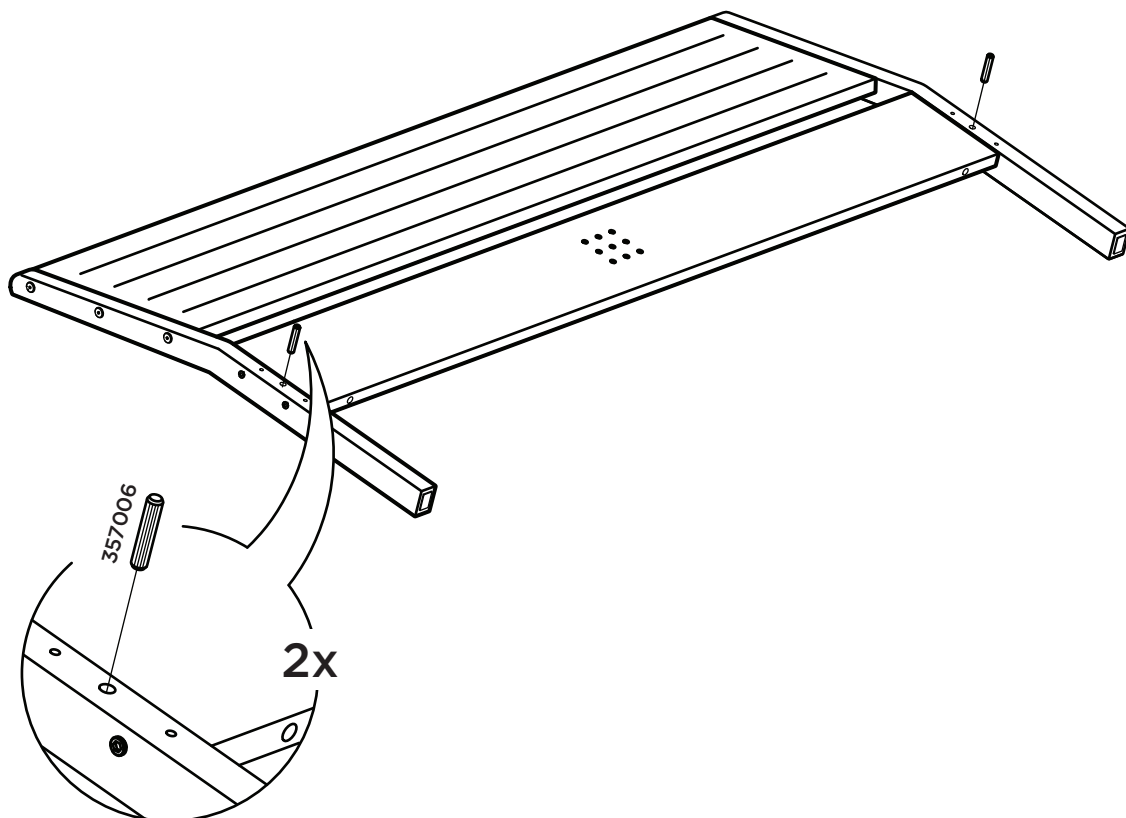
6



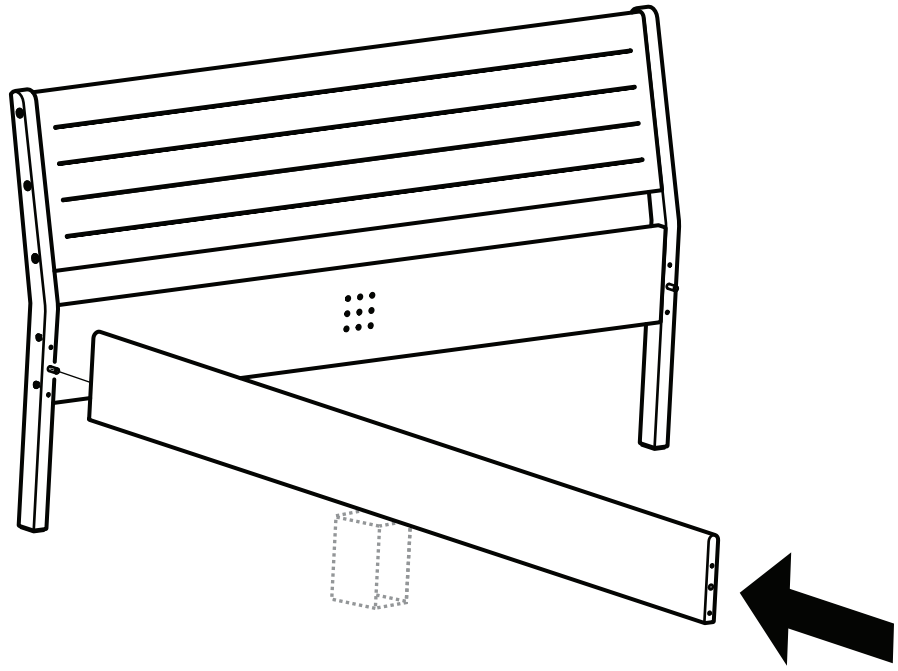
7



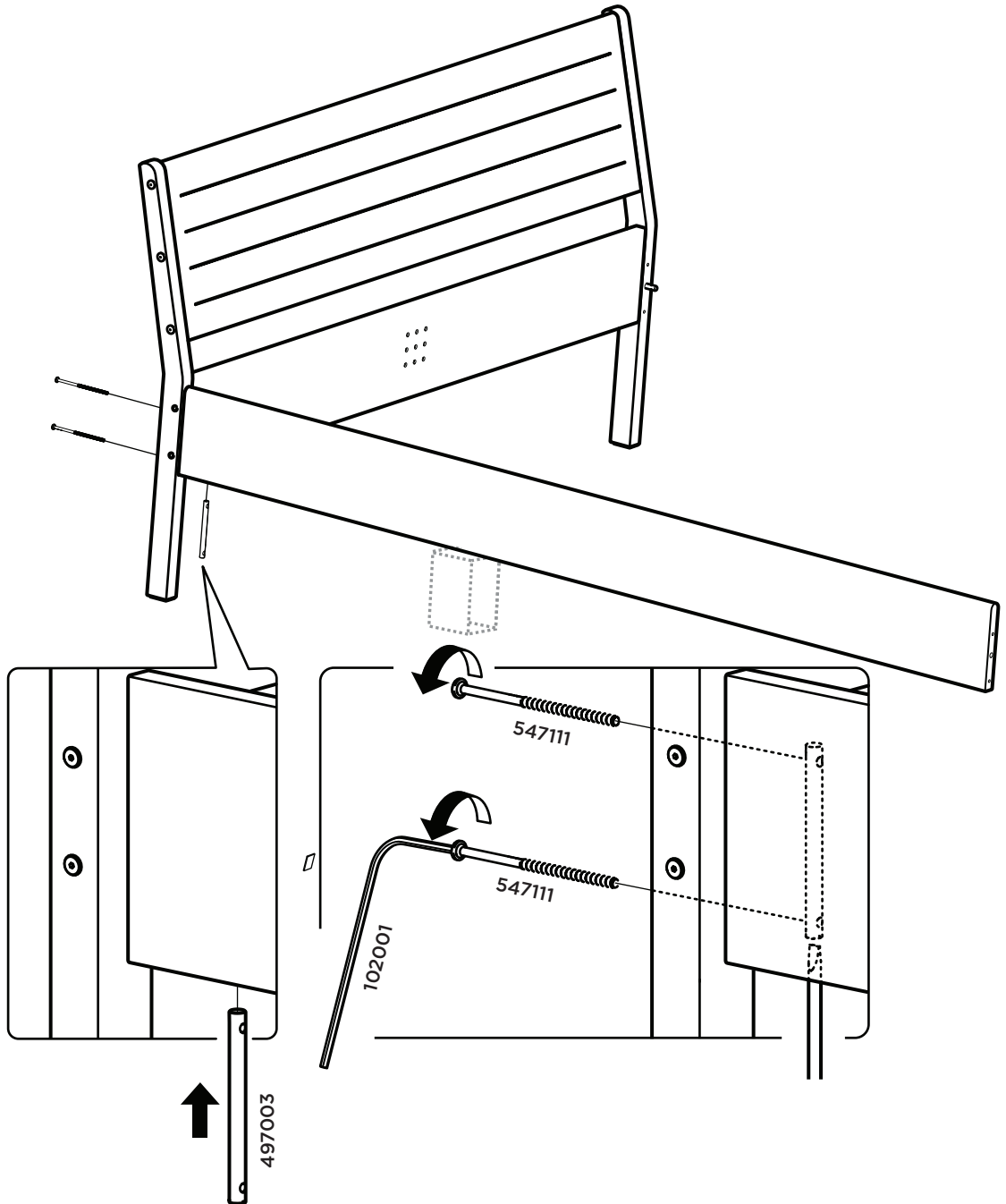
8



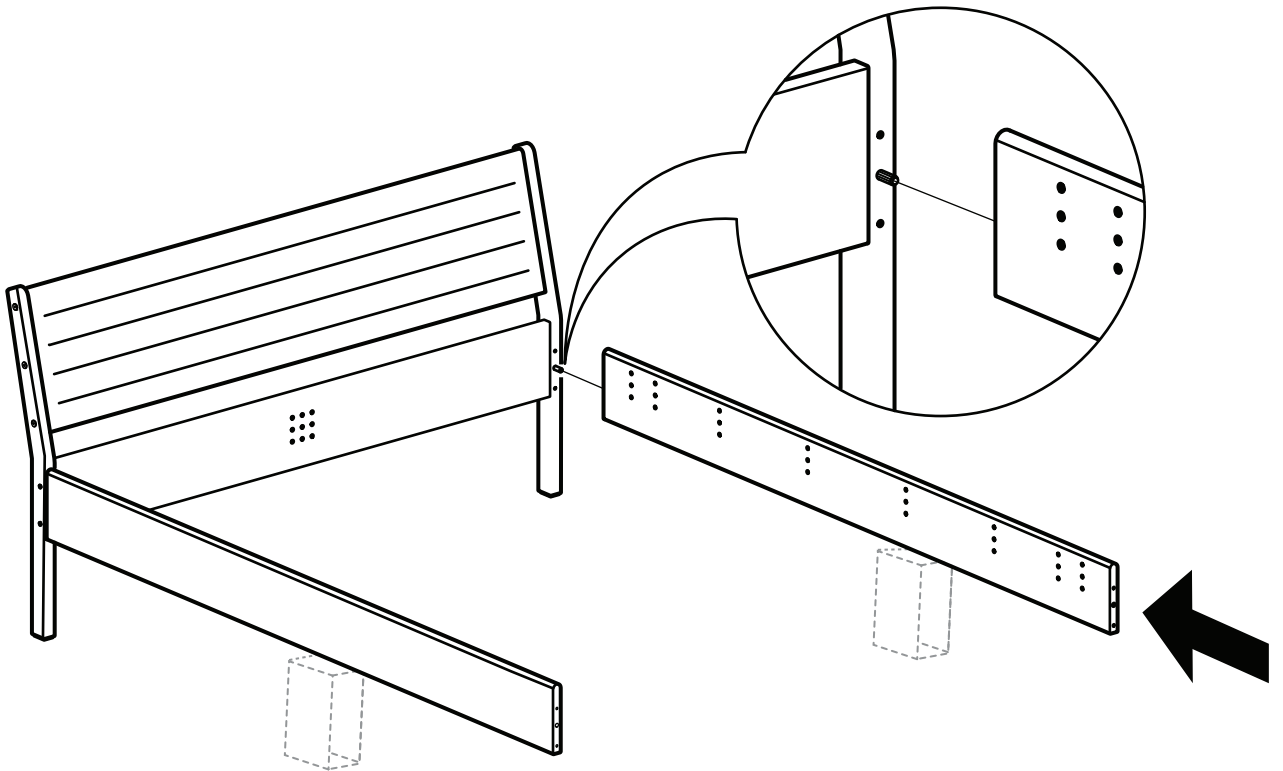
9



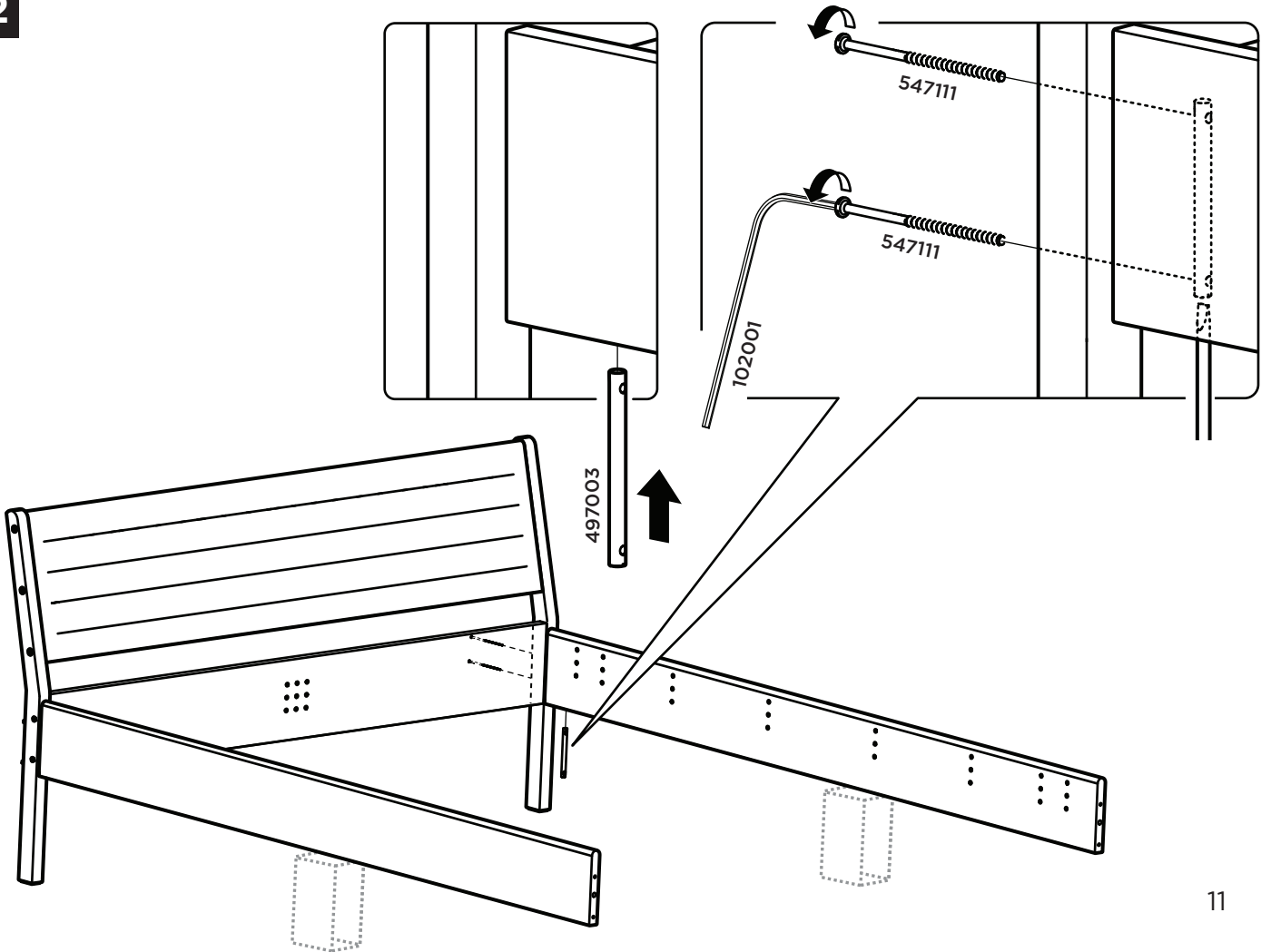
10



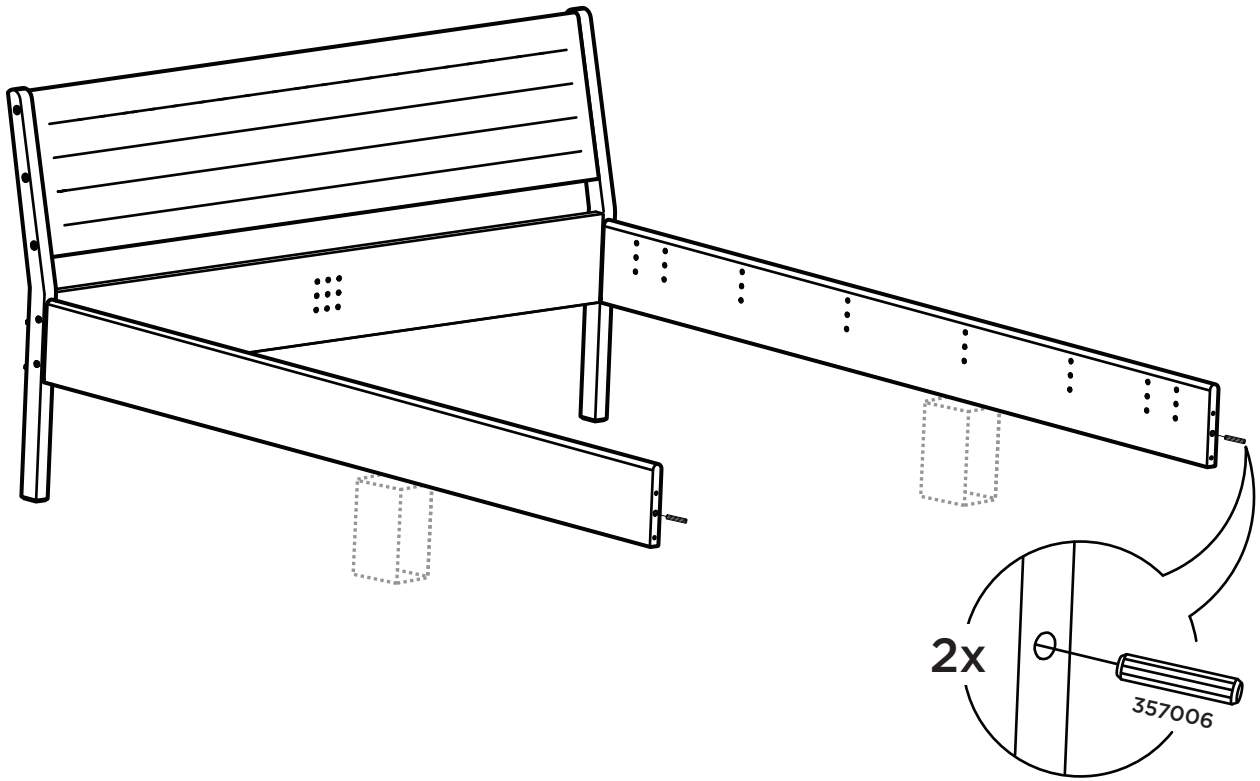
11



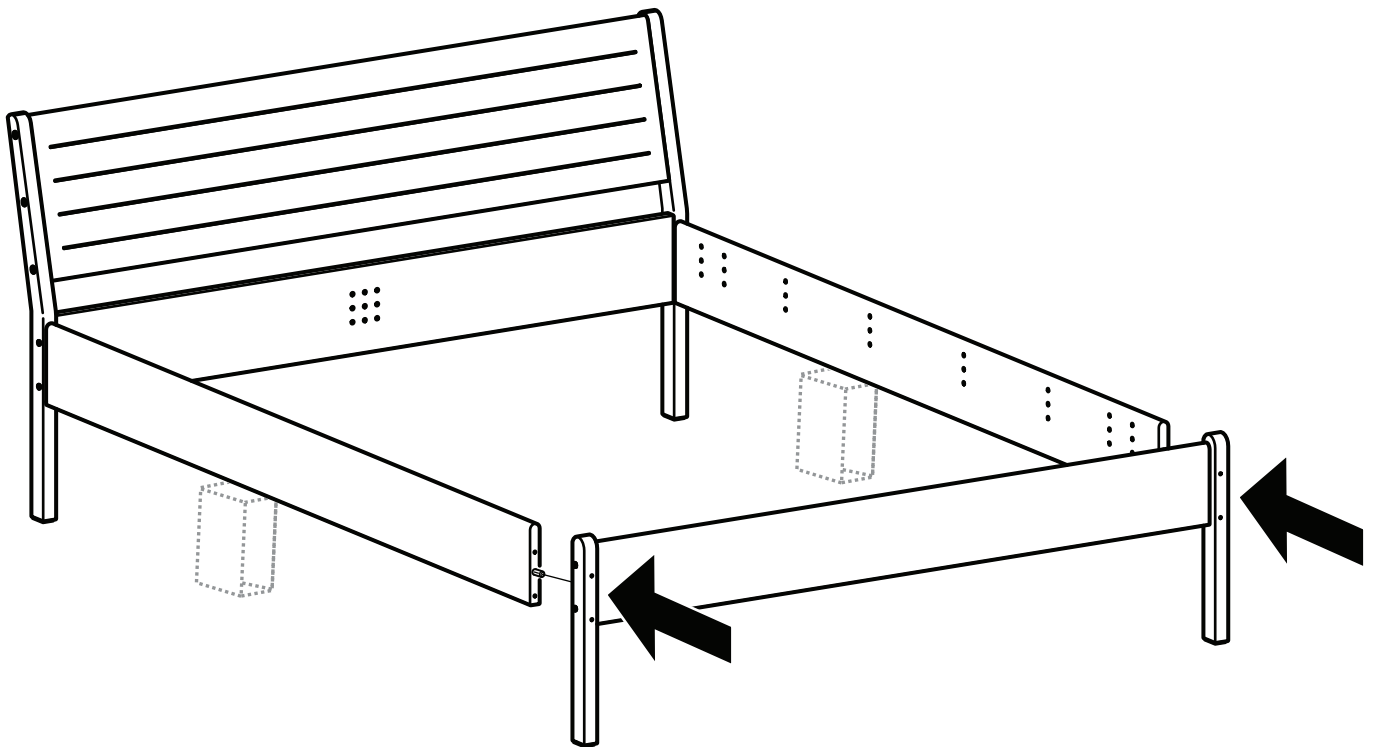
12



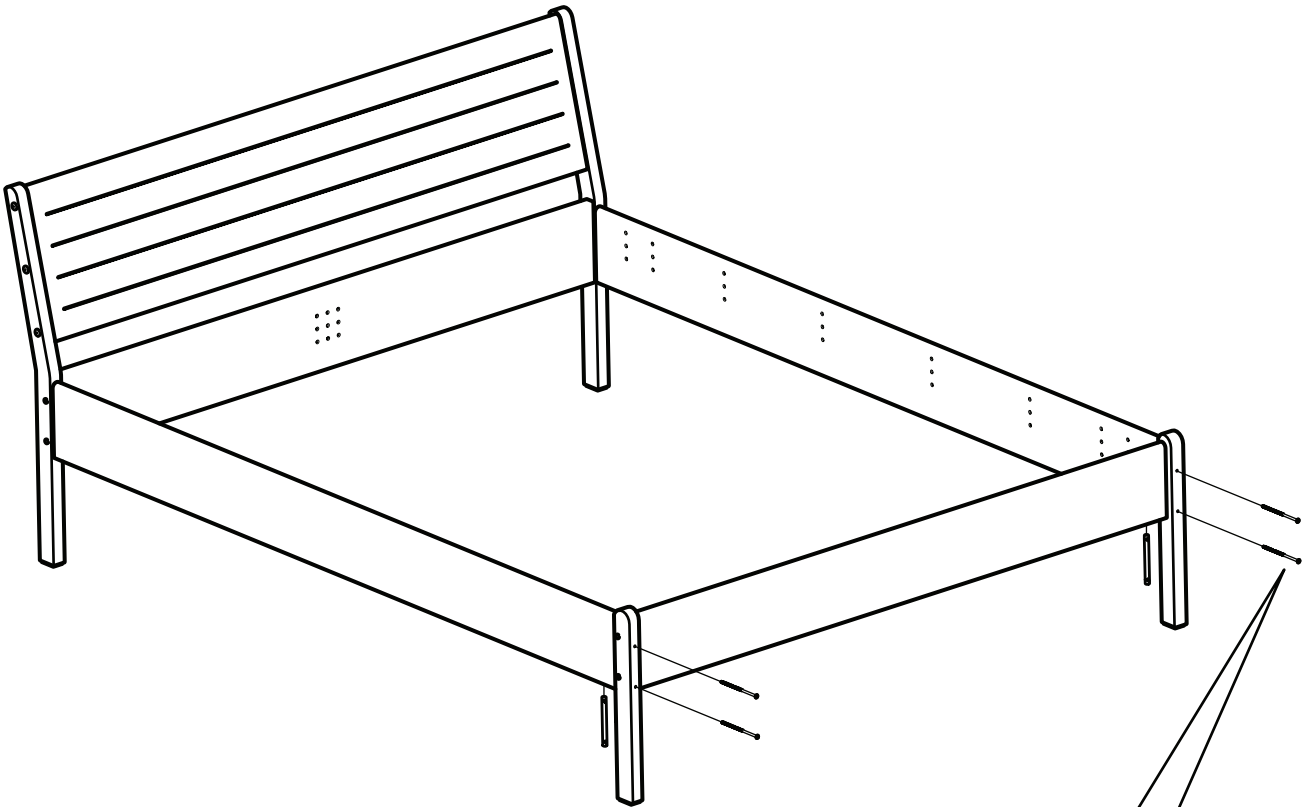
13



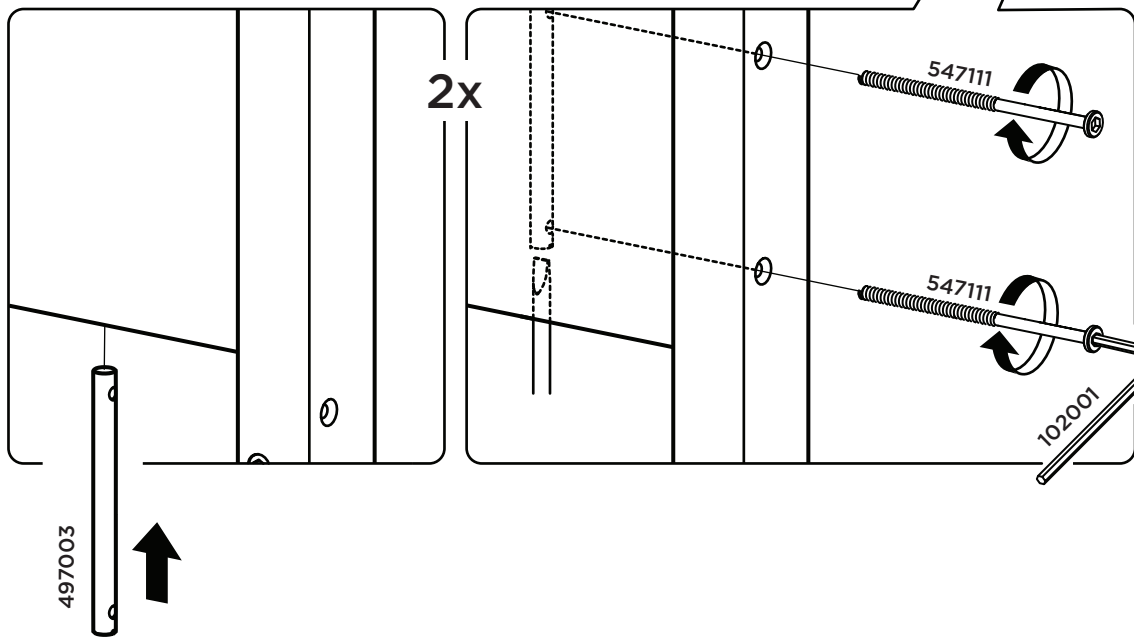
14

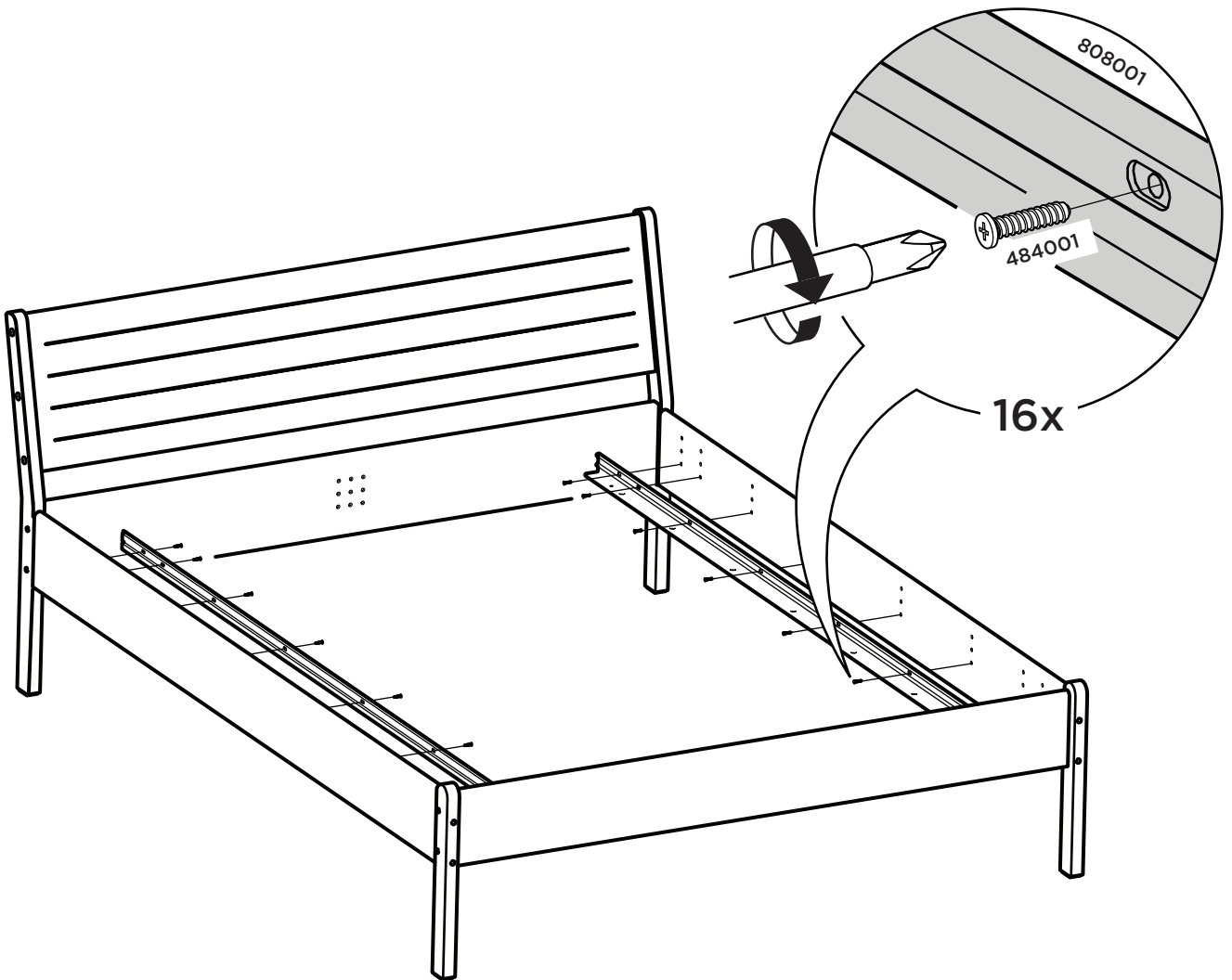
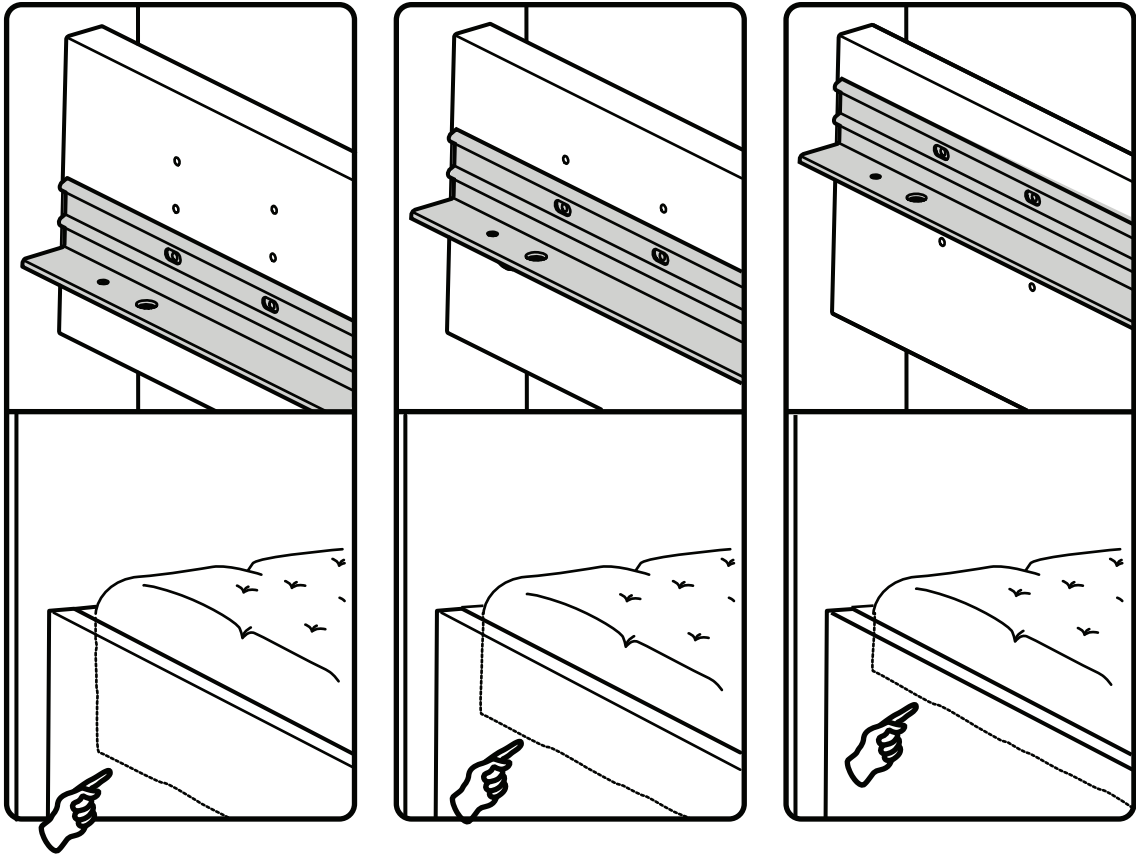


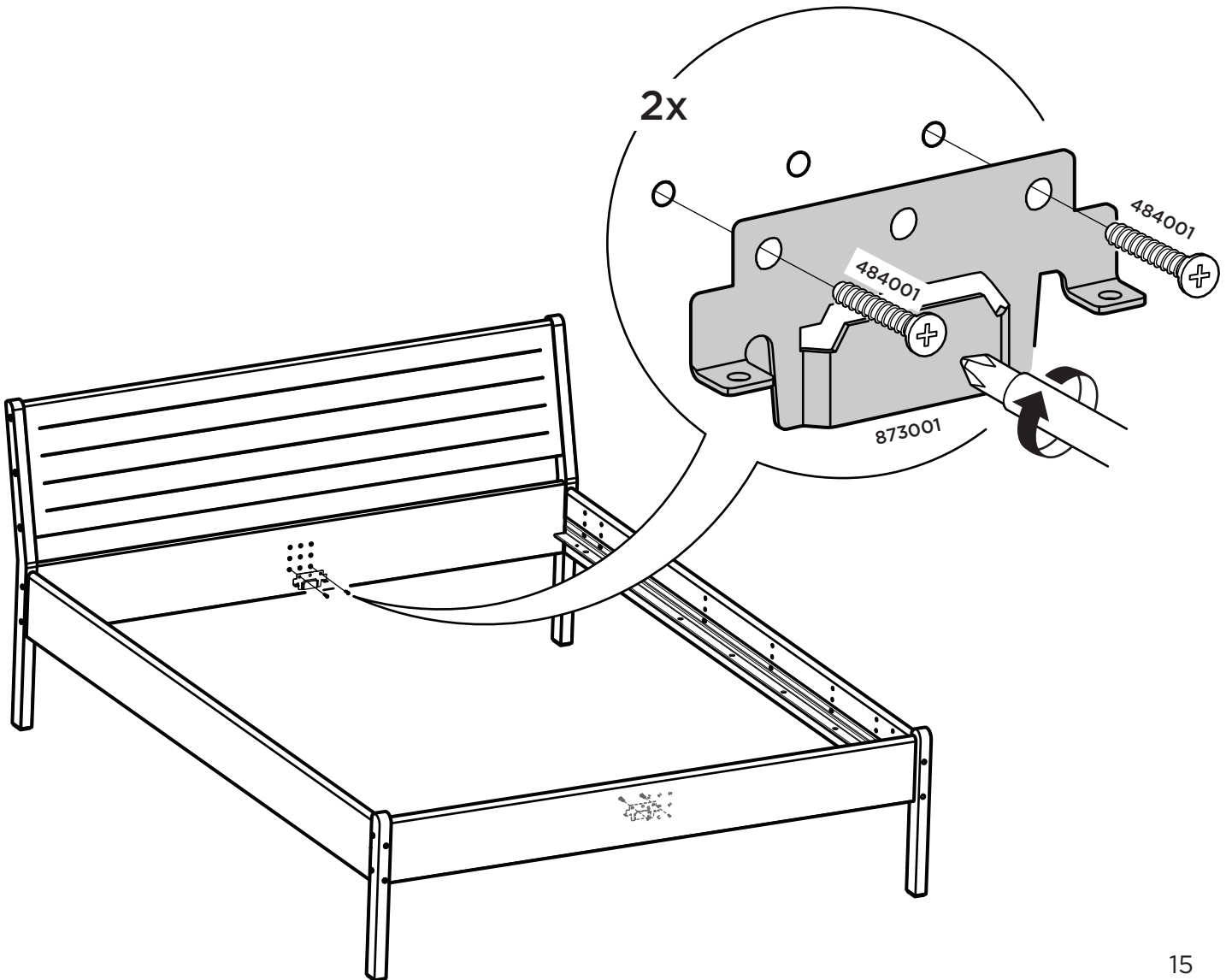
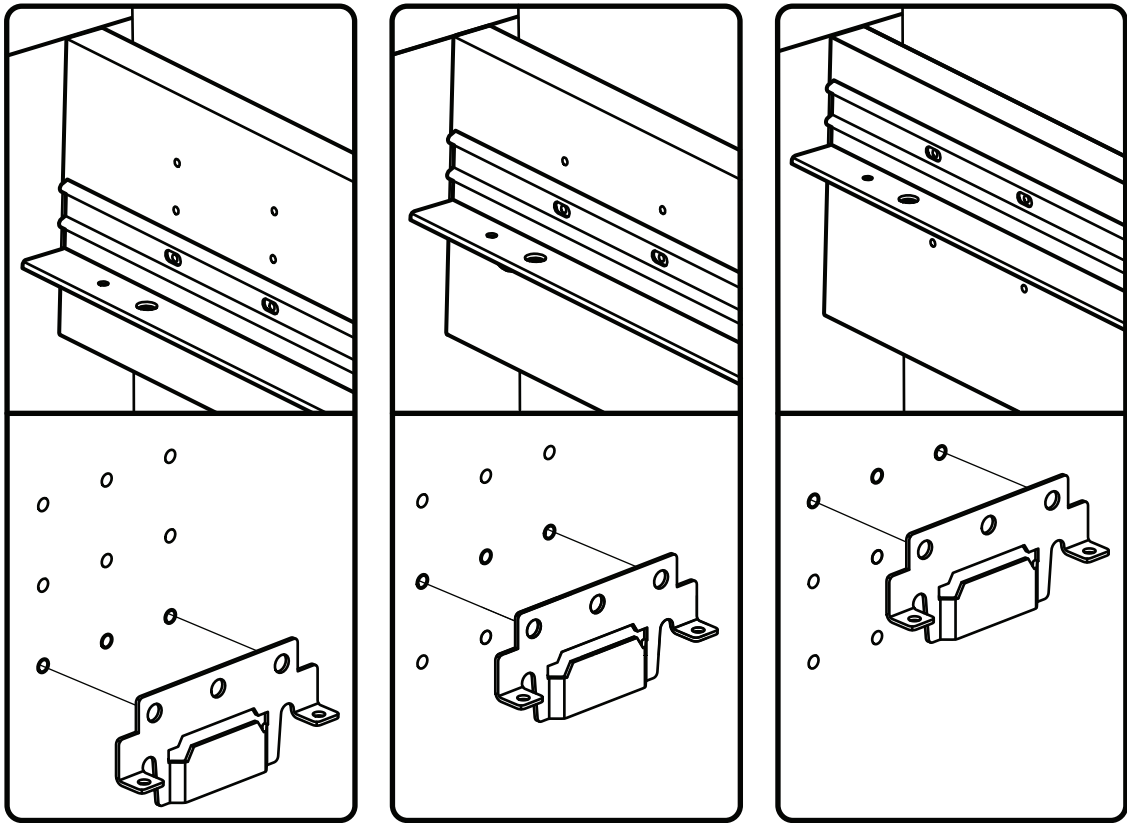
15

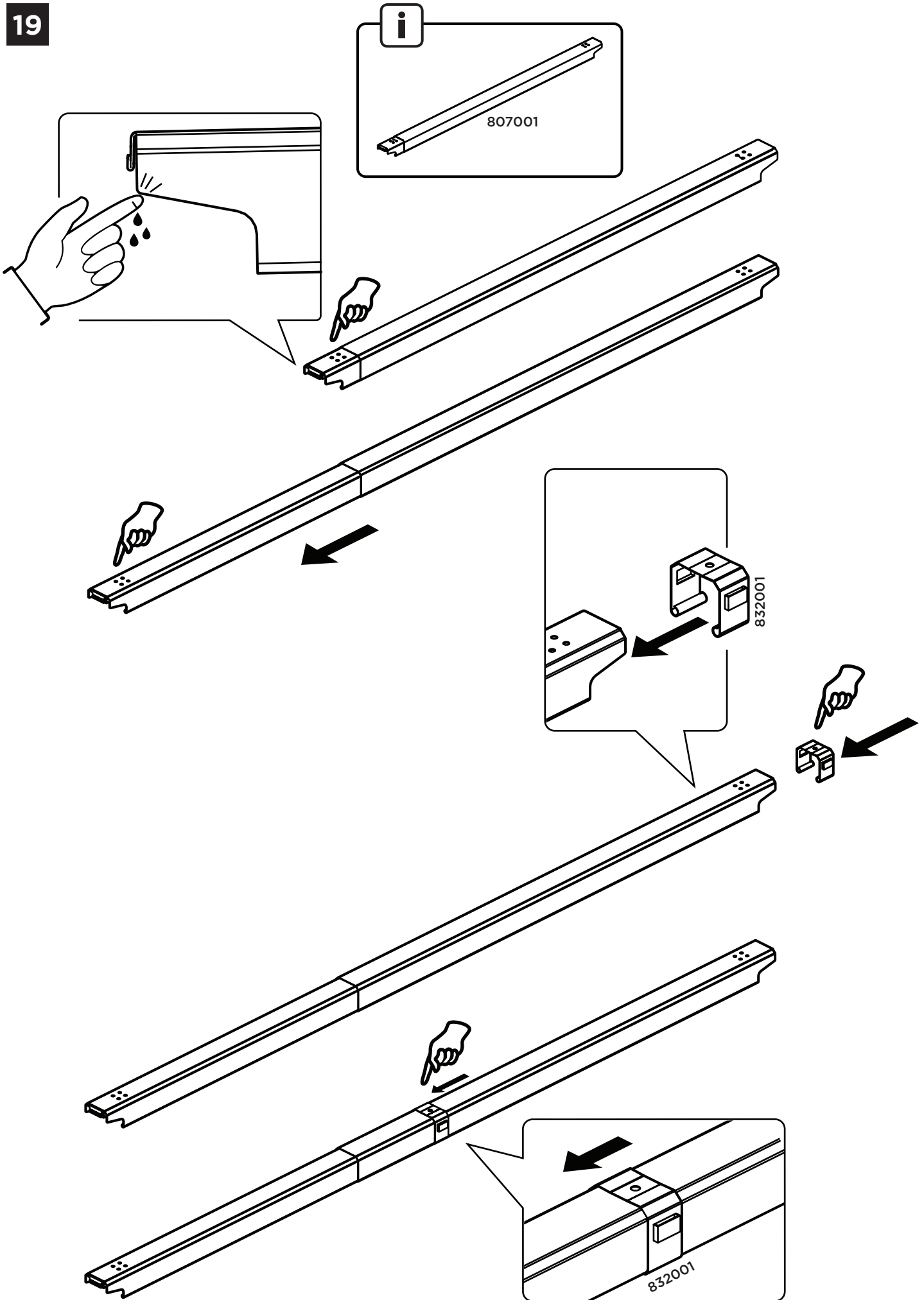


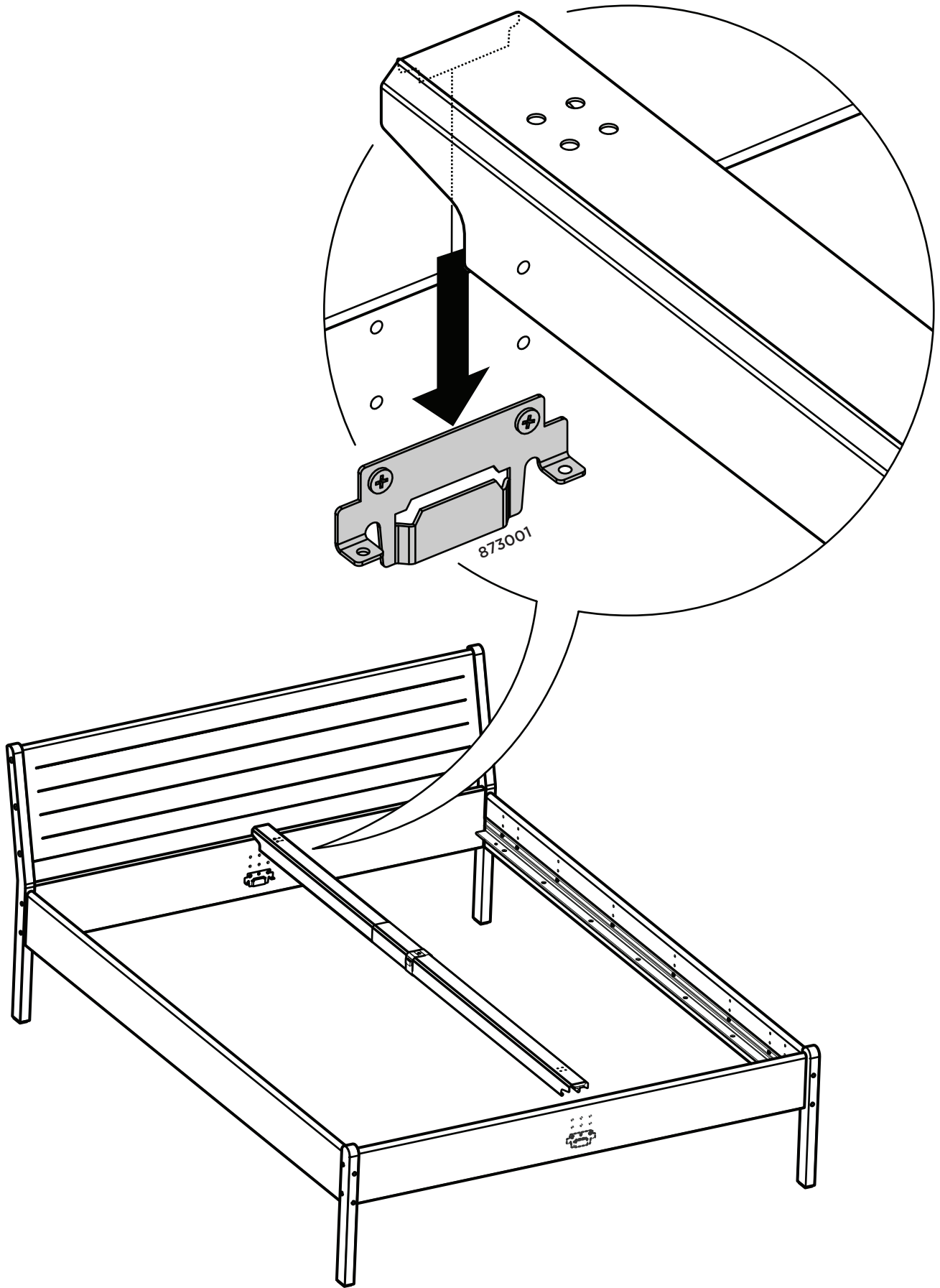
16

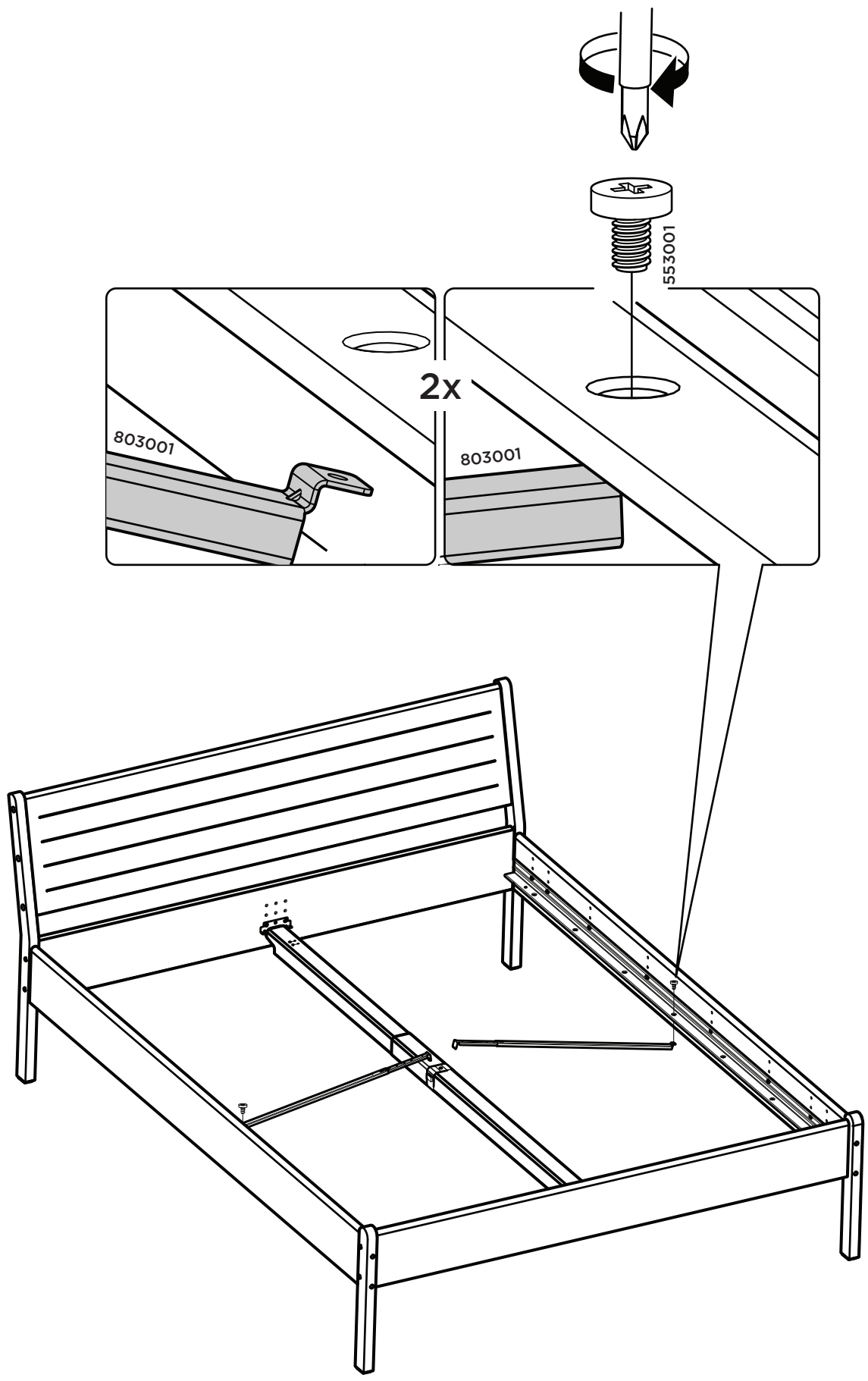


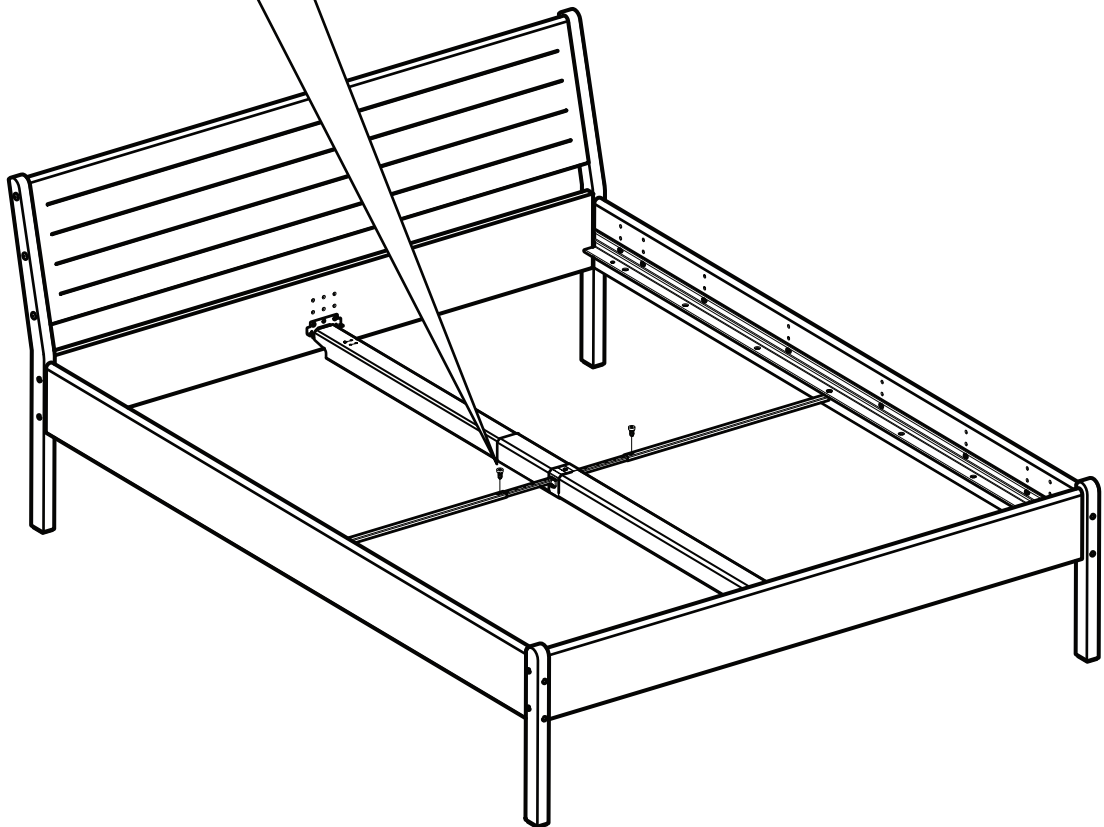
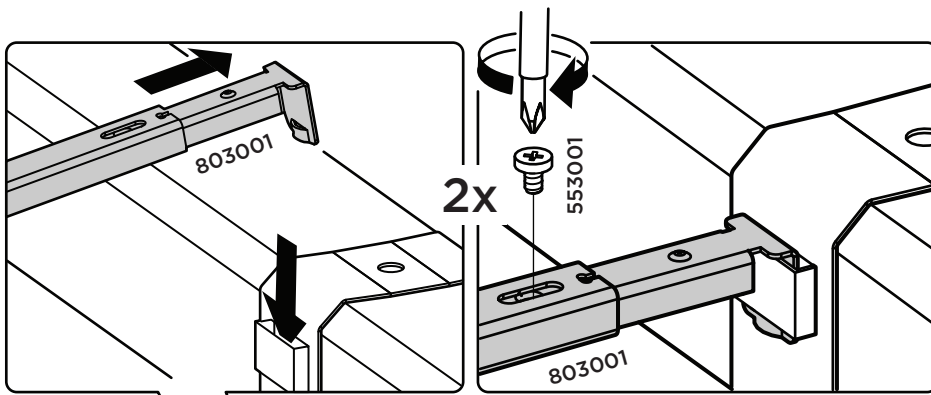
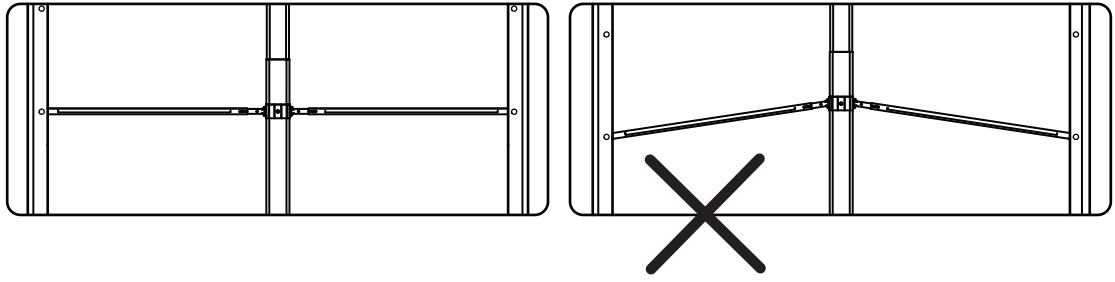


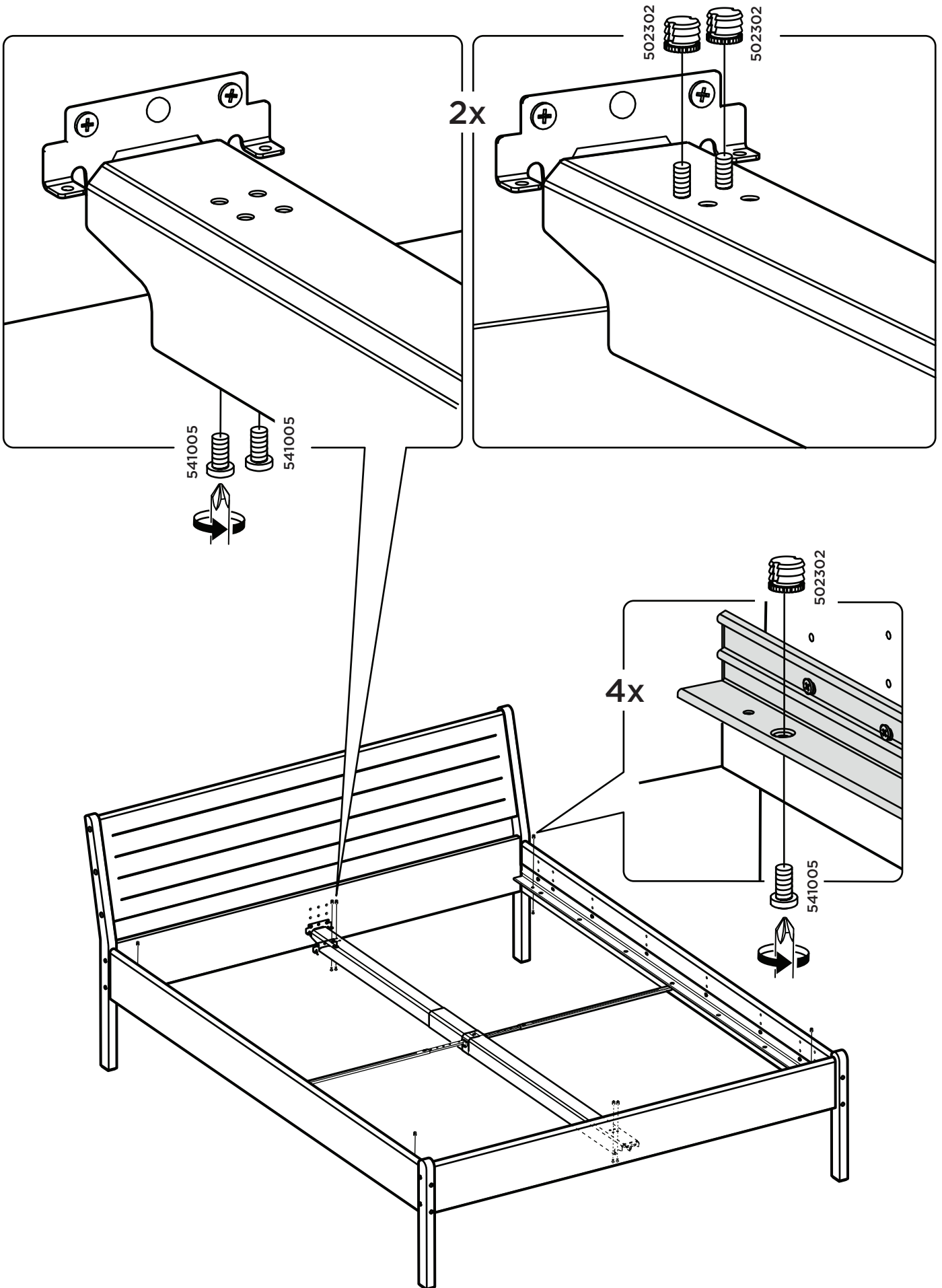


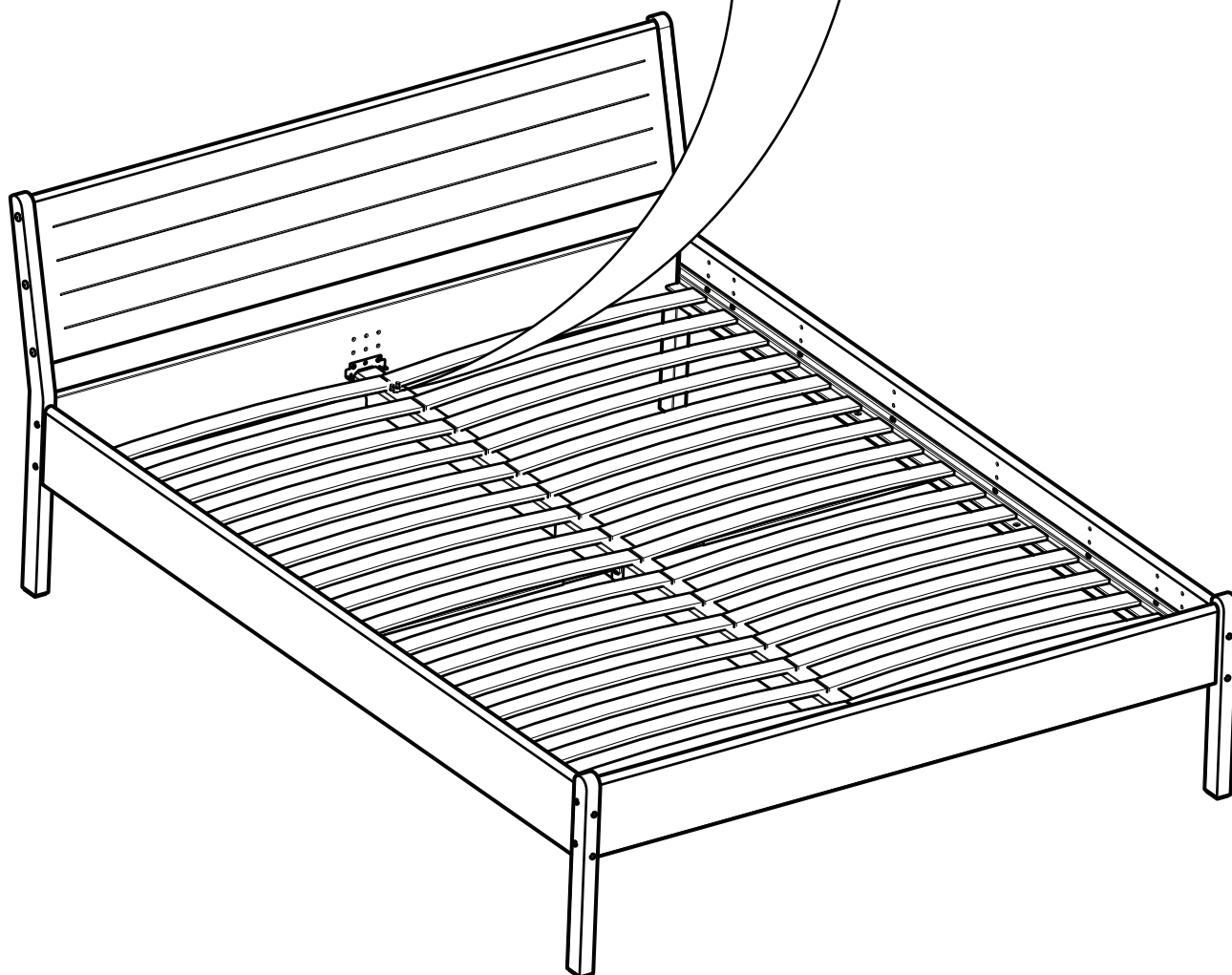
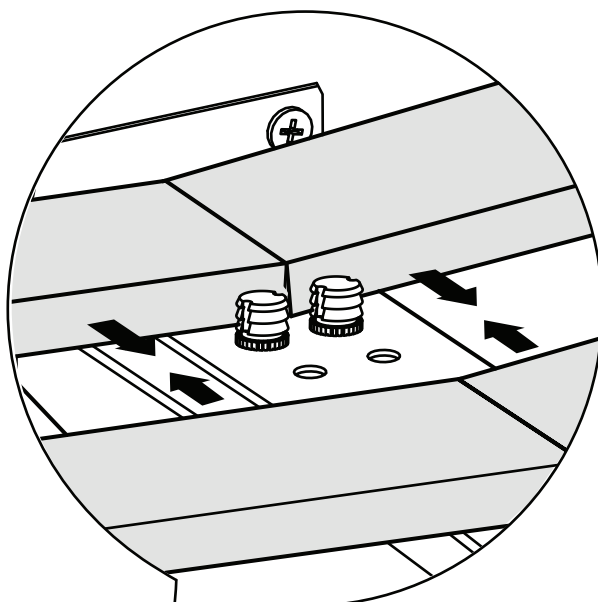
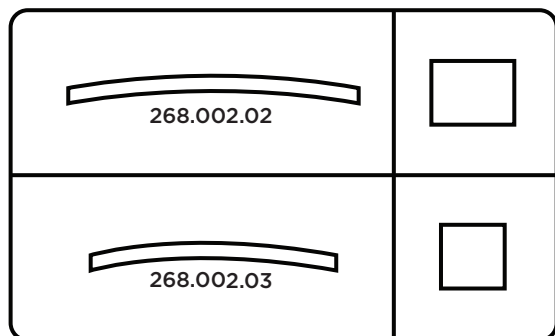












metercube