

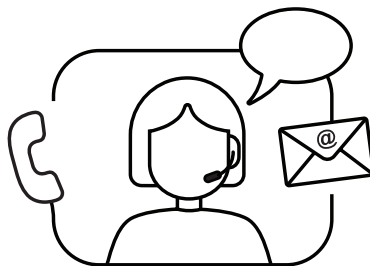
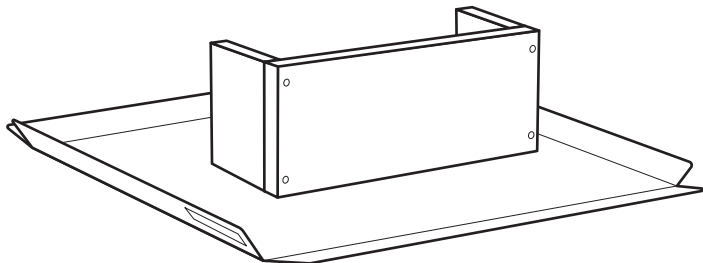
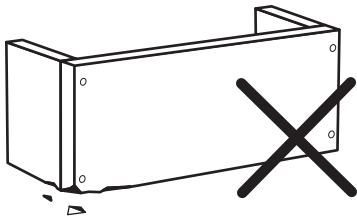
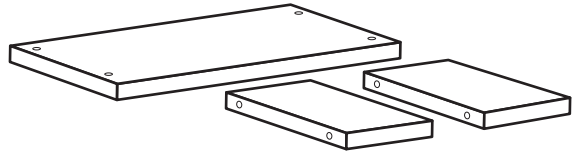
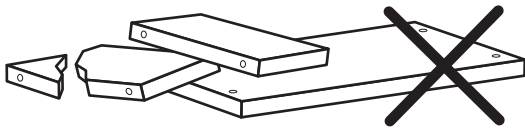
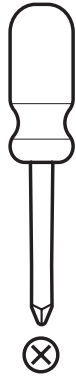
# liyane

112.008.01

112.008.02

112.008.03

112.008.04

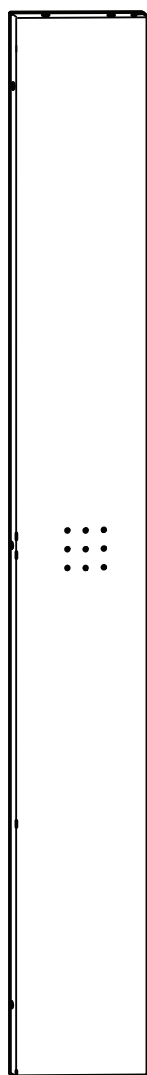




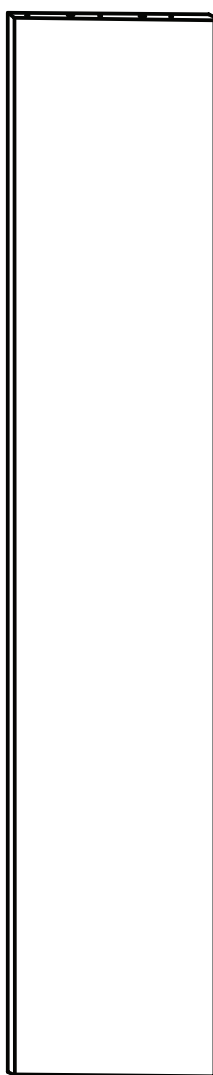
2x



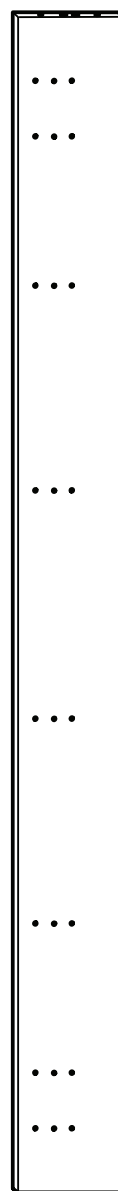
2x



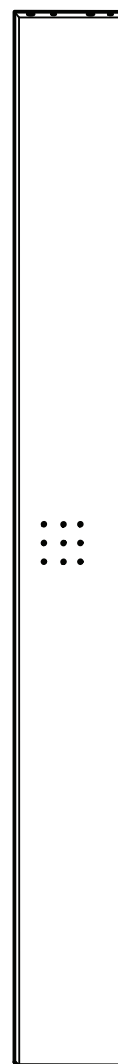
1x



1x



2x



1x



357006

23x



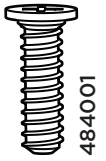
502302

8x



541005

8x



484001

20x



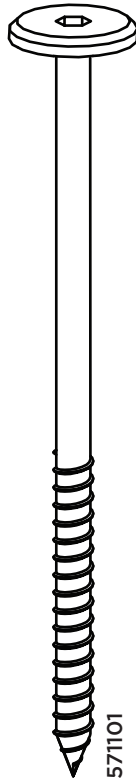
547111

16x



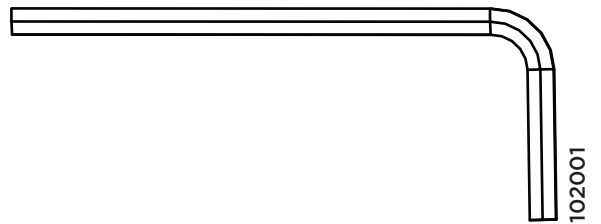
497003

8x



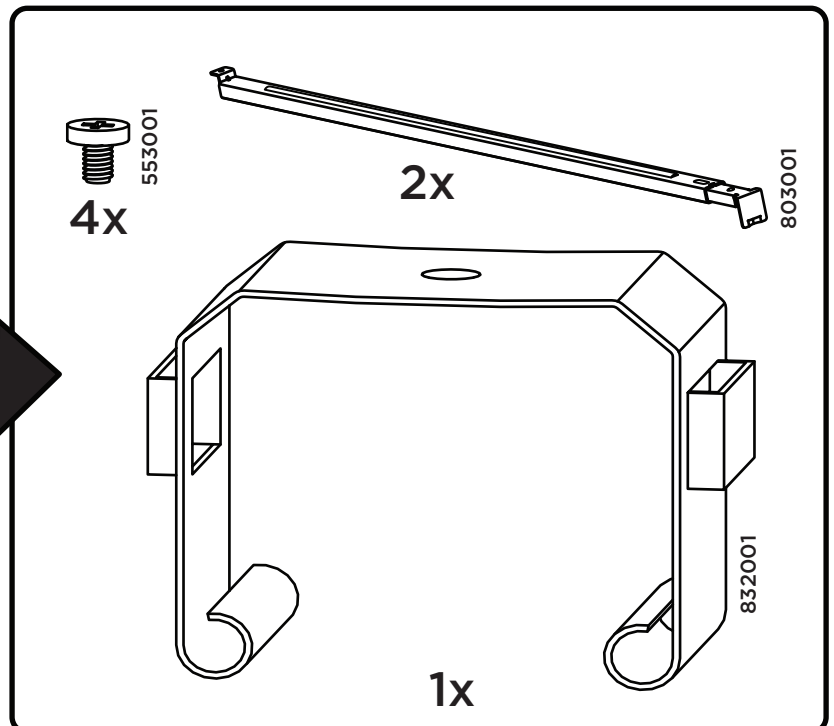
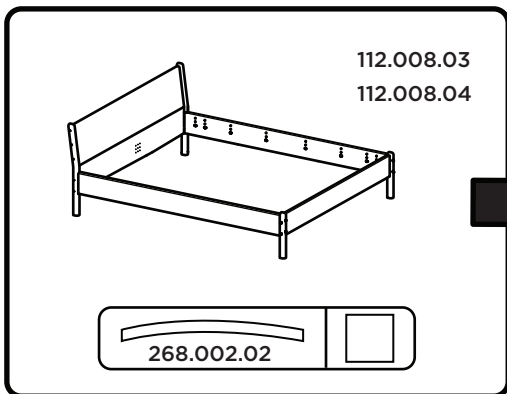
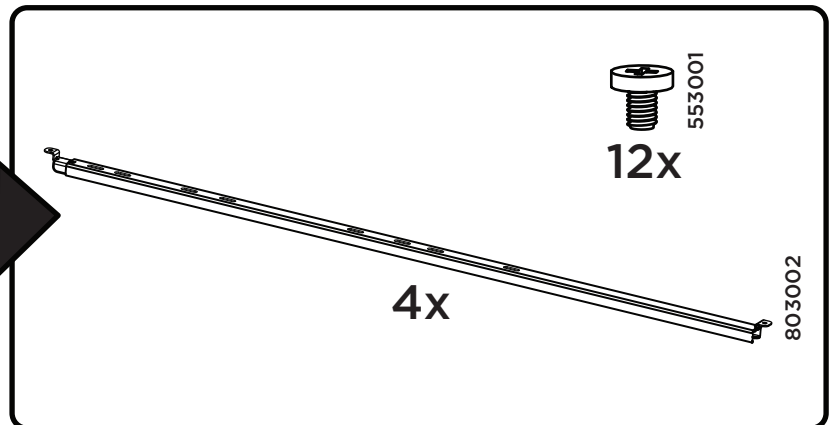
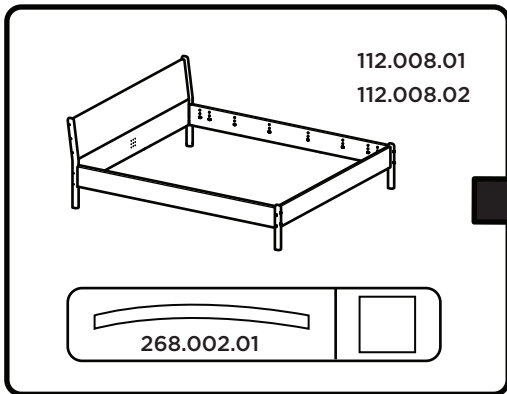
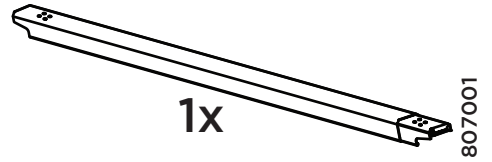
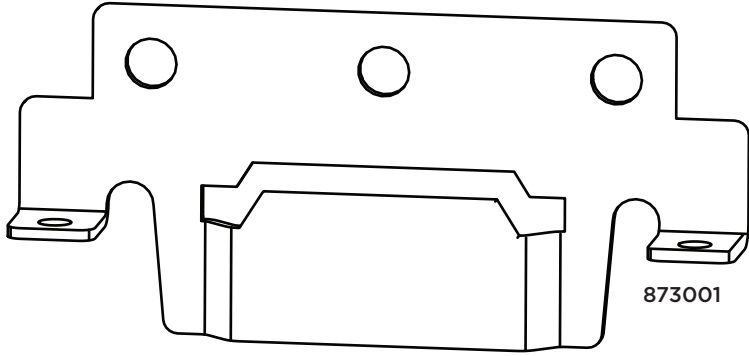
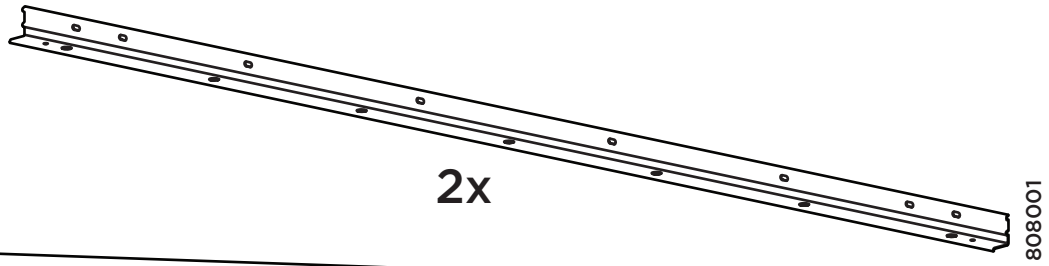
571101

6x

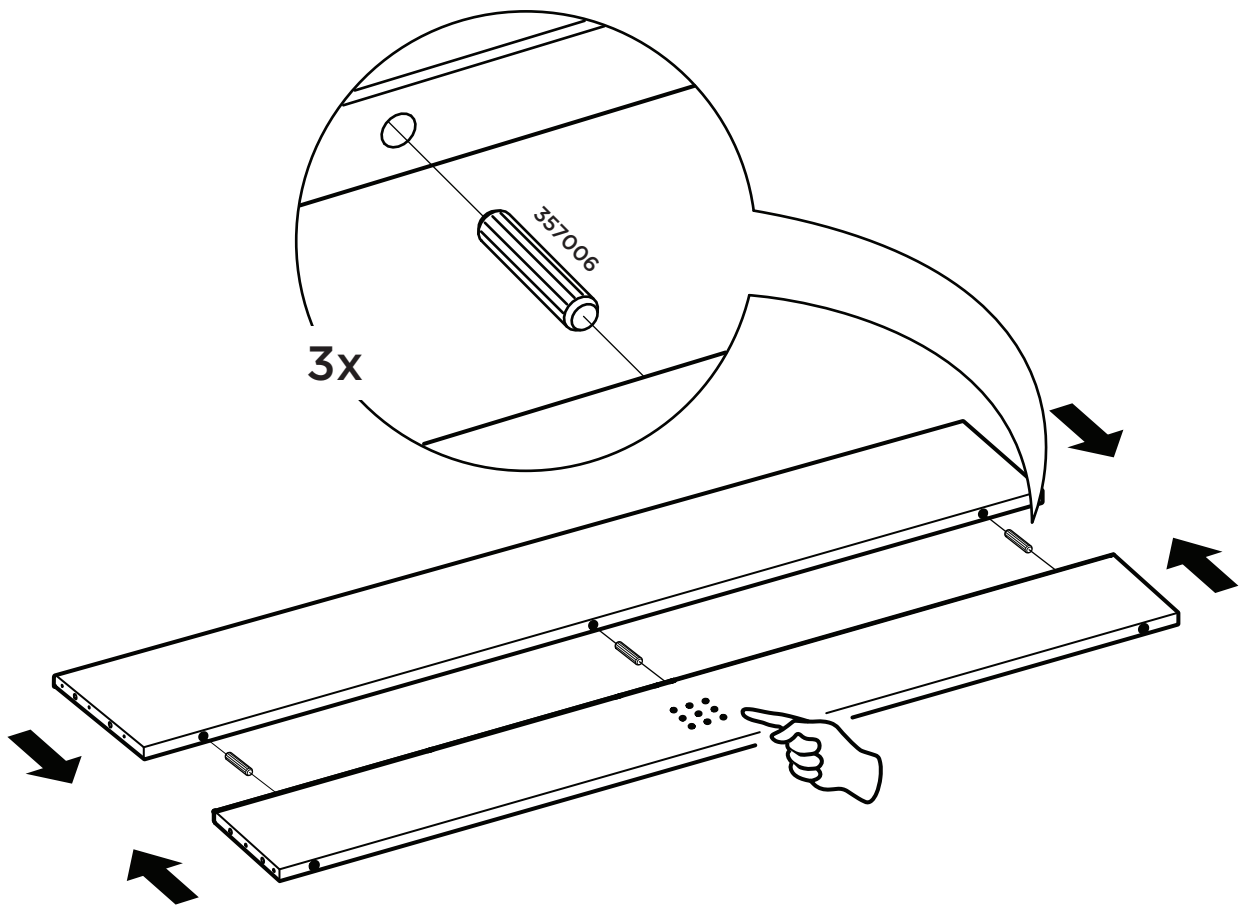


102001

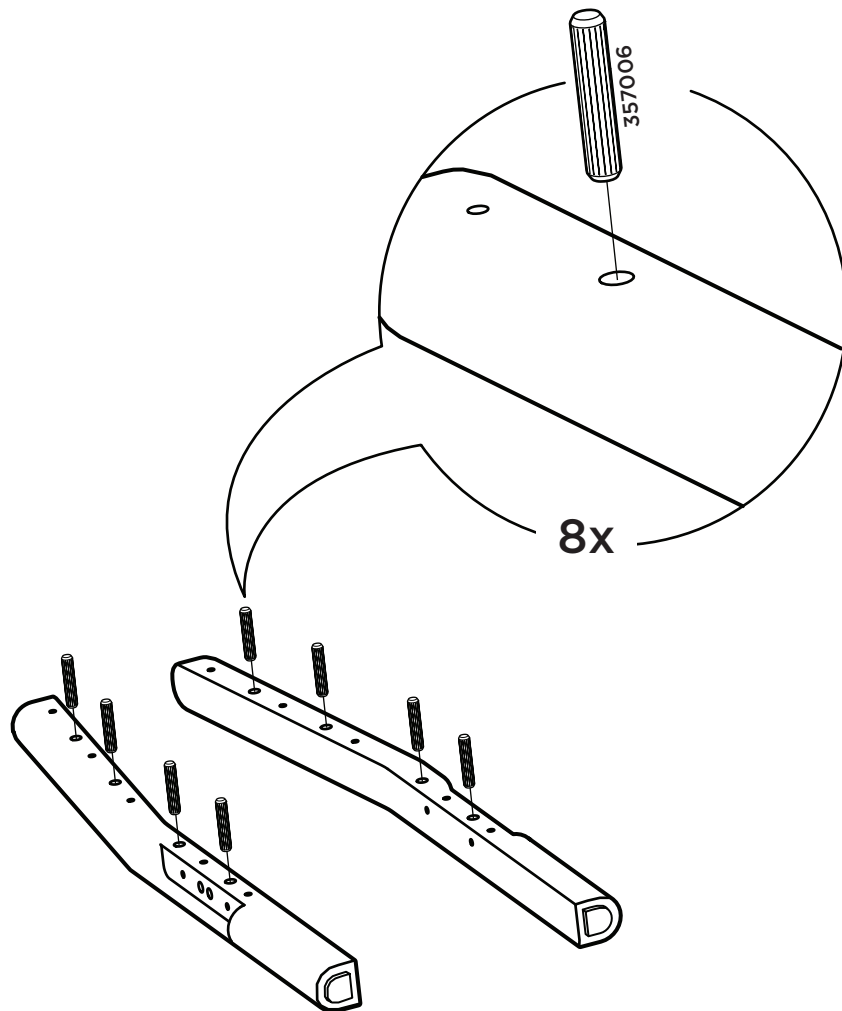
1x



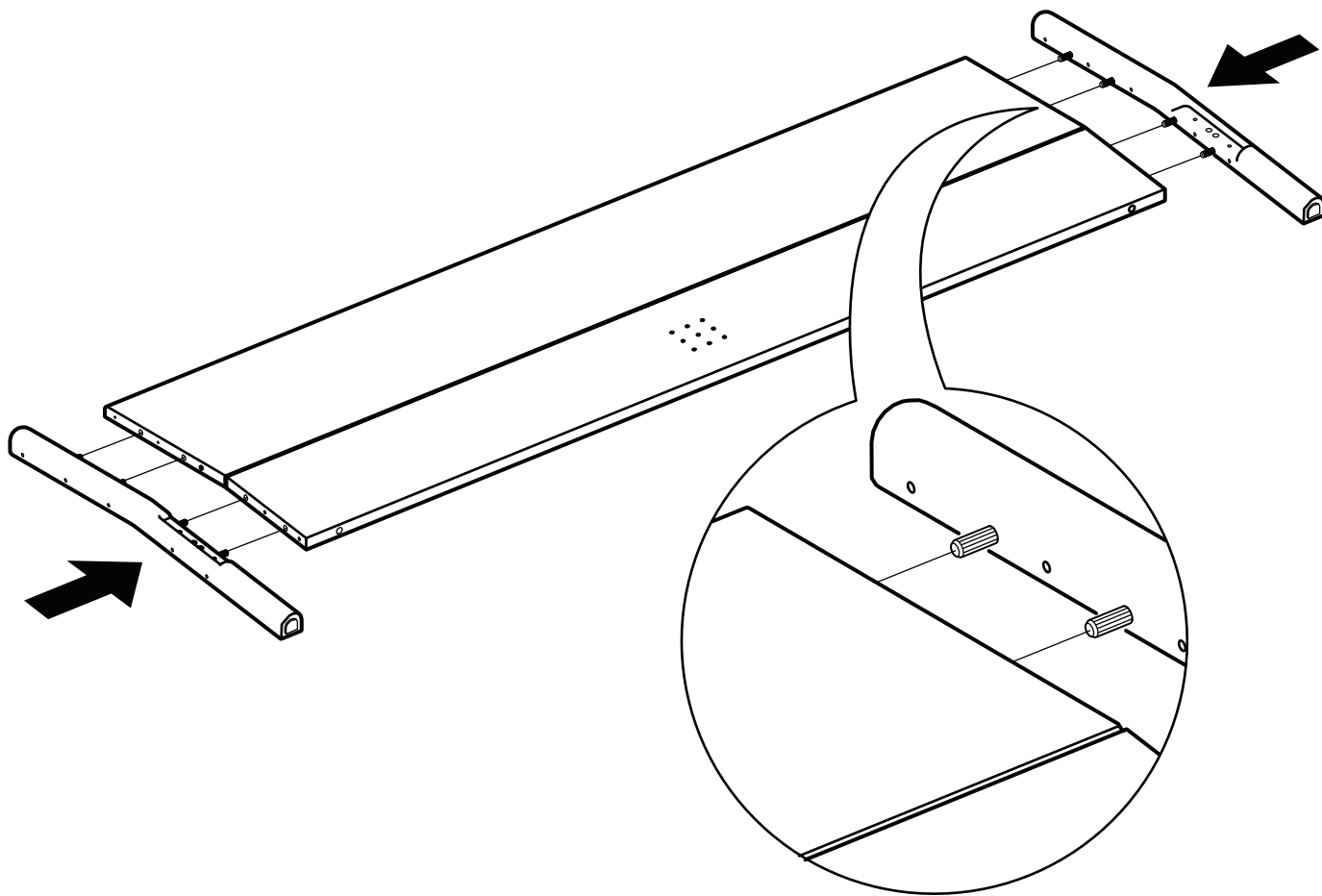
1



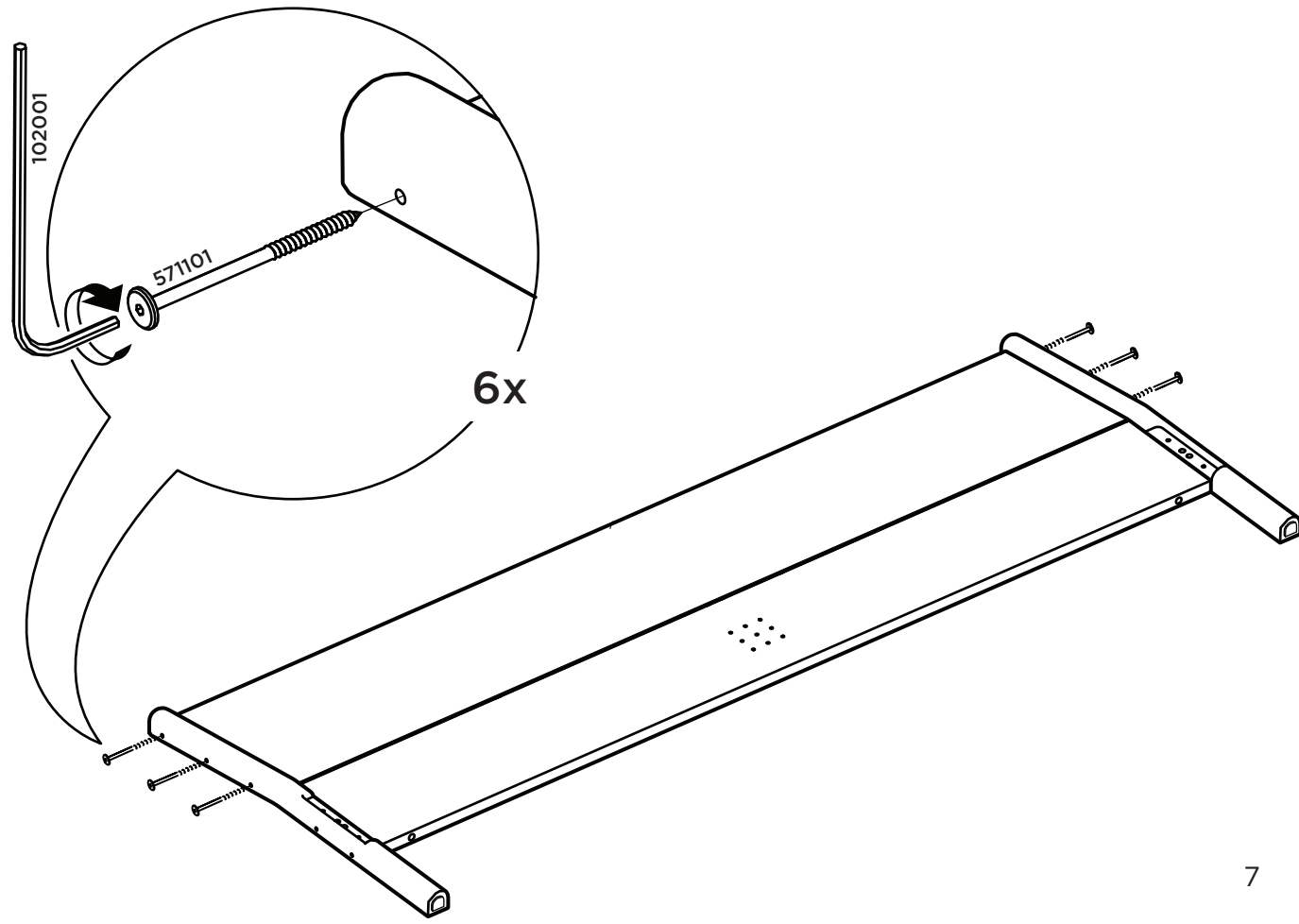
2



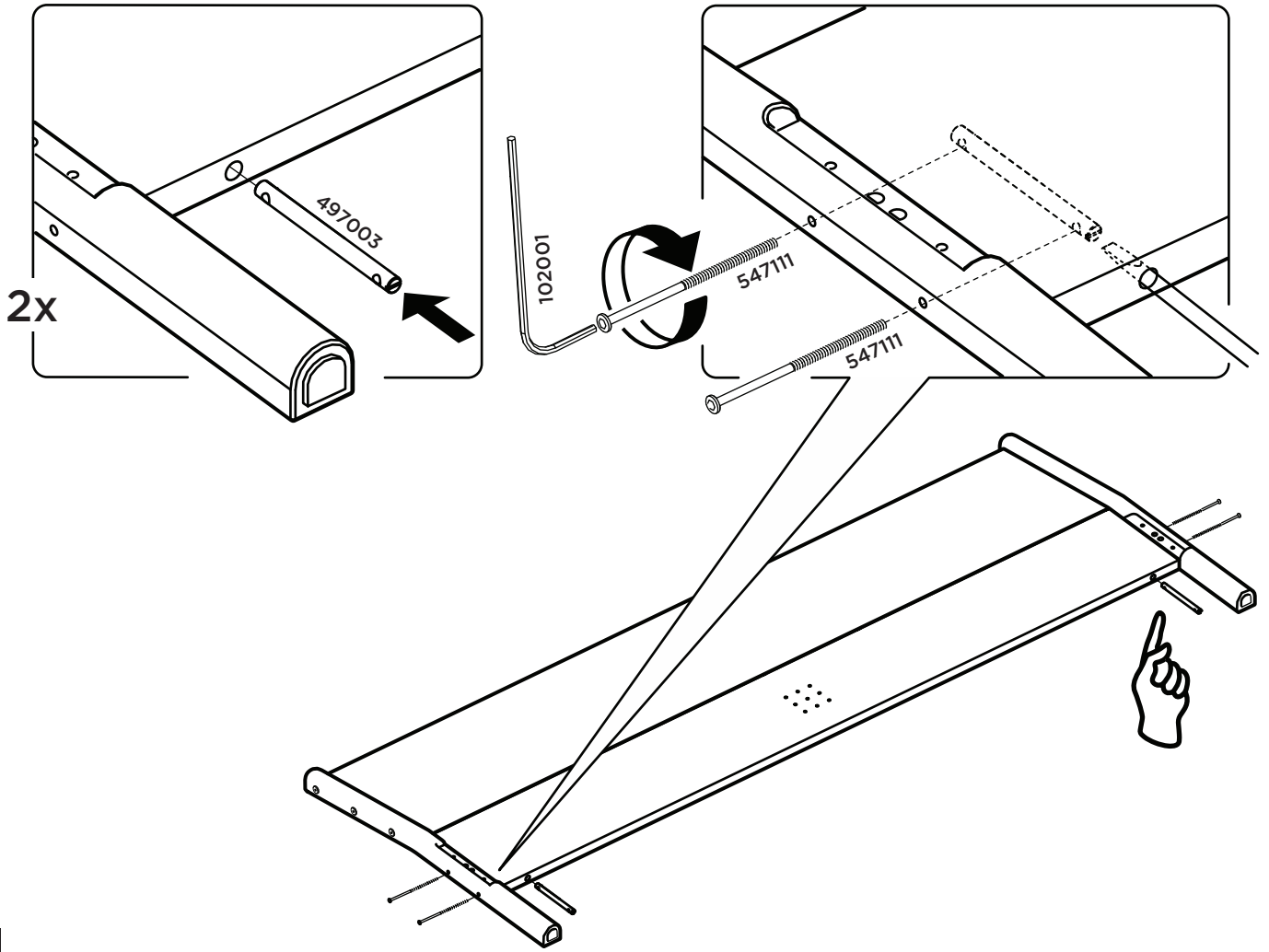
3



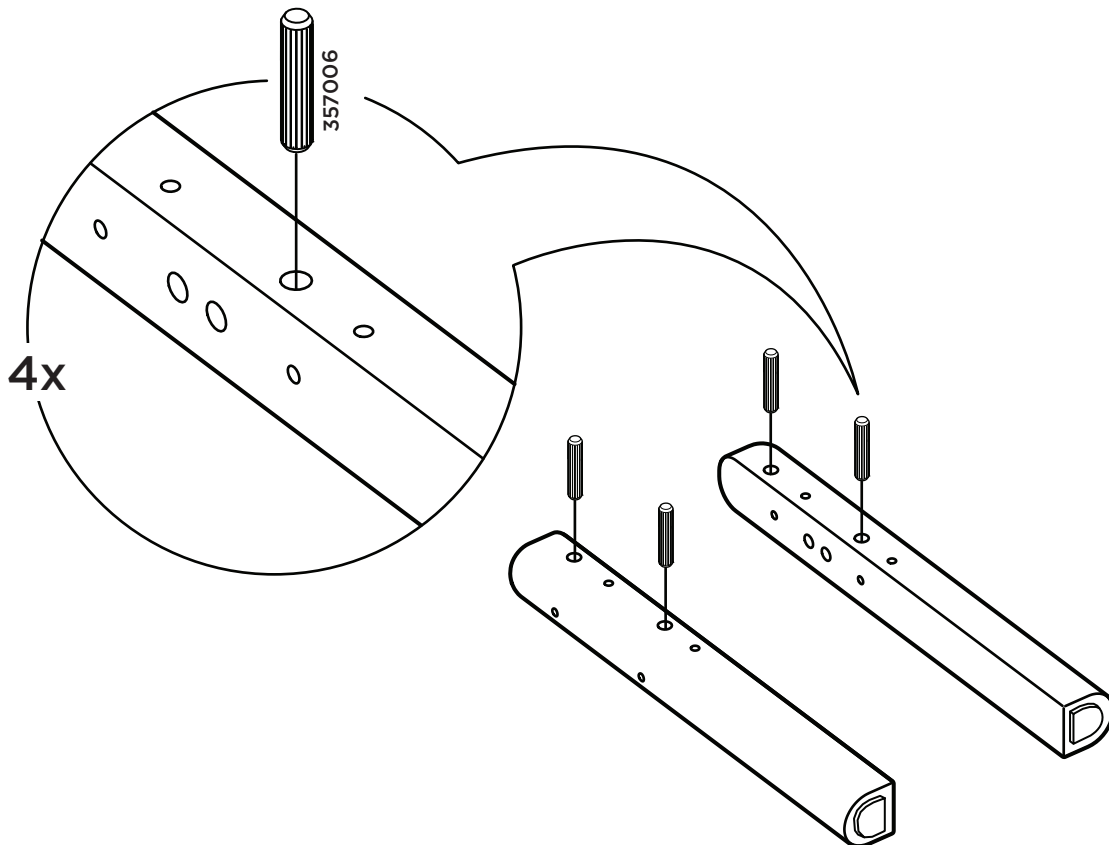
4



5

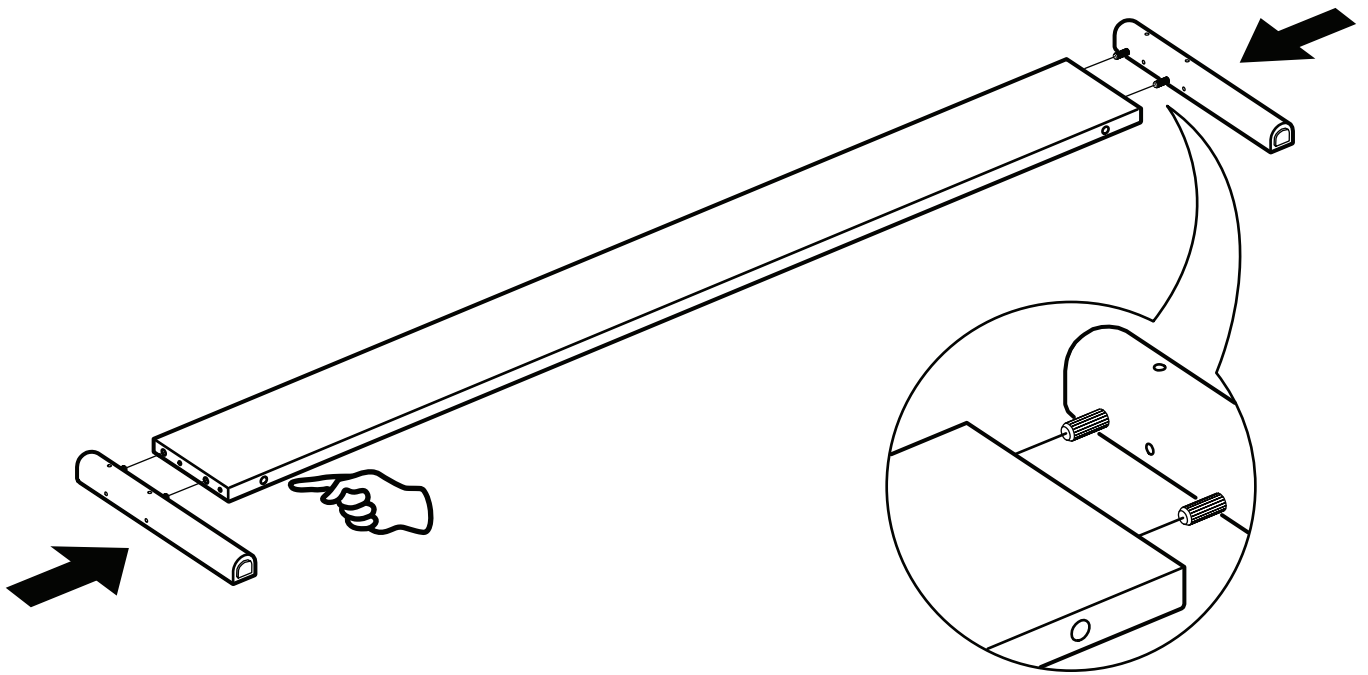


6

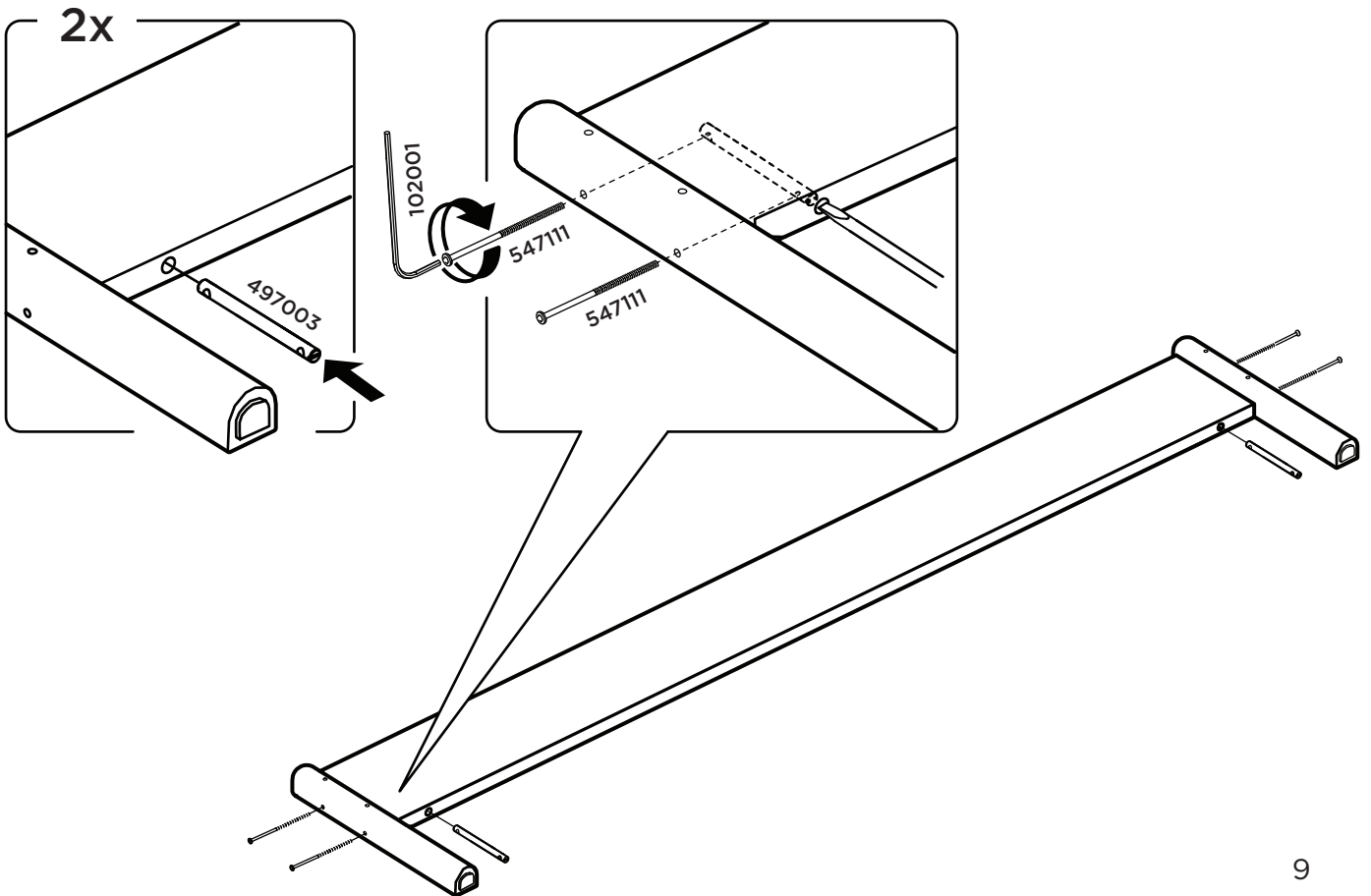




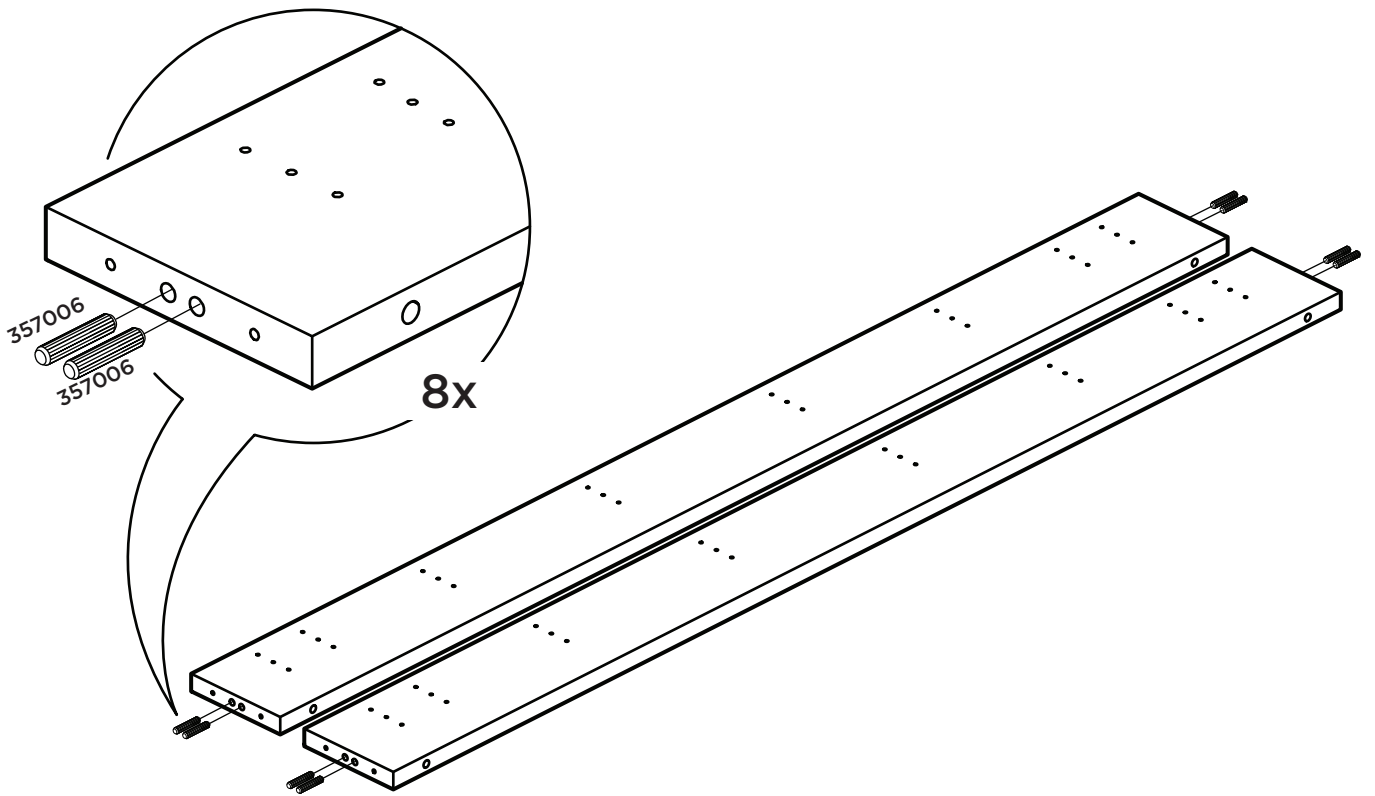
7



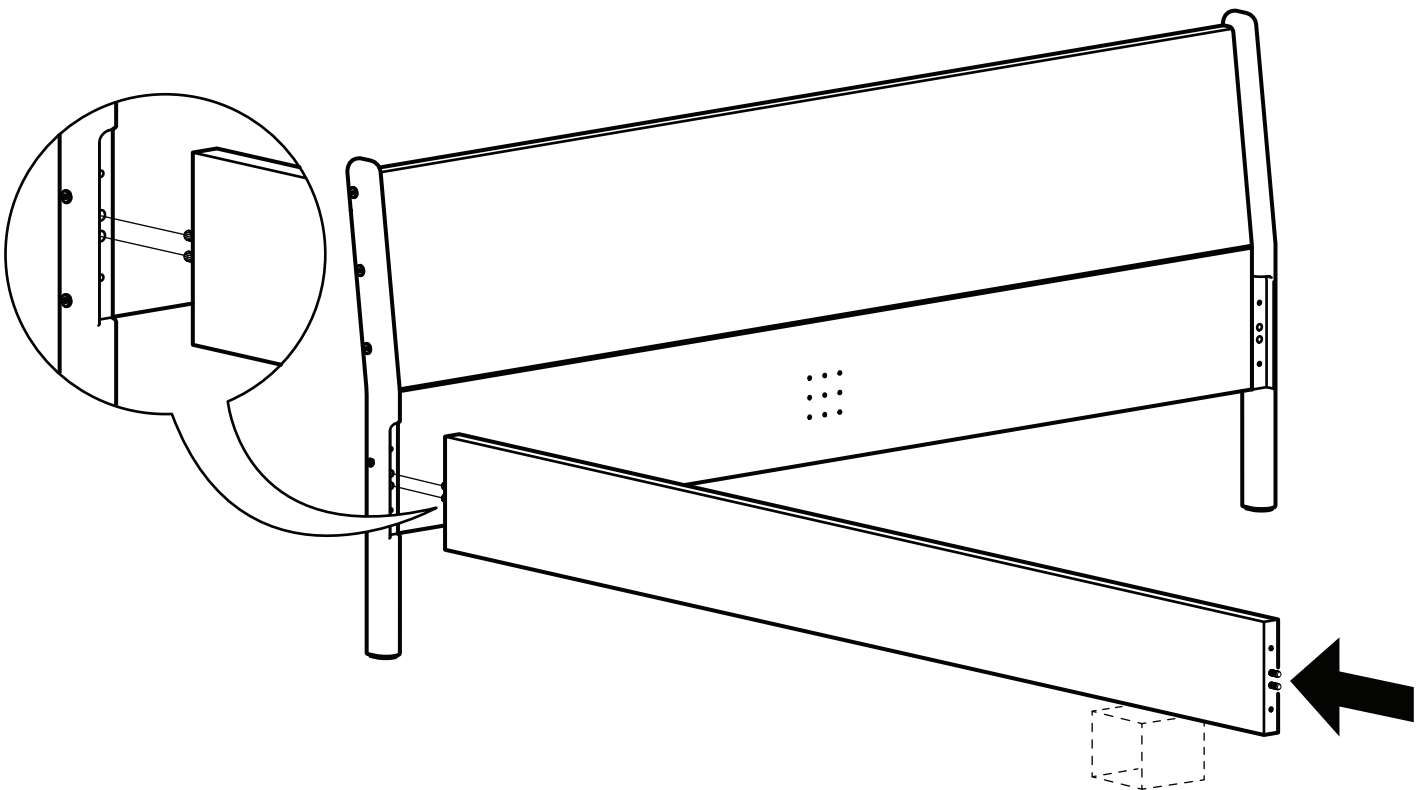
8

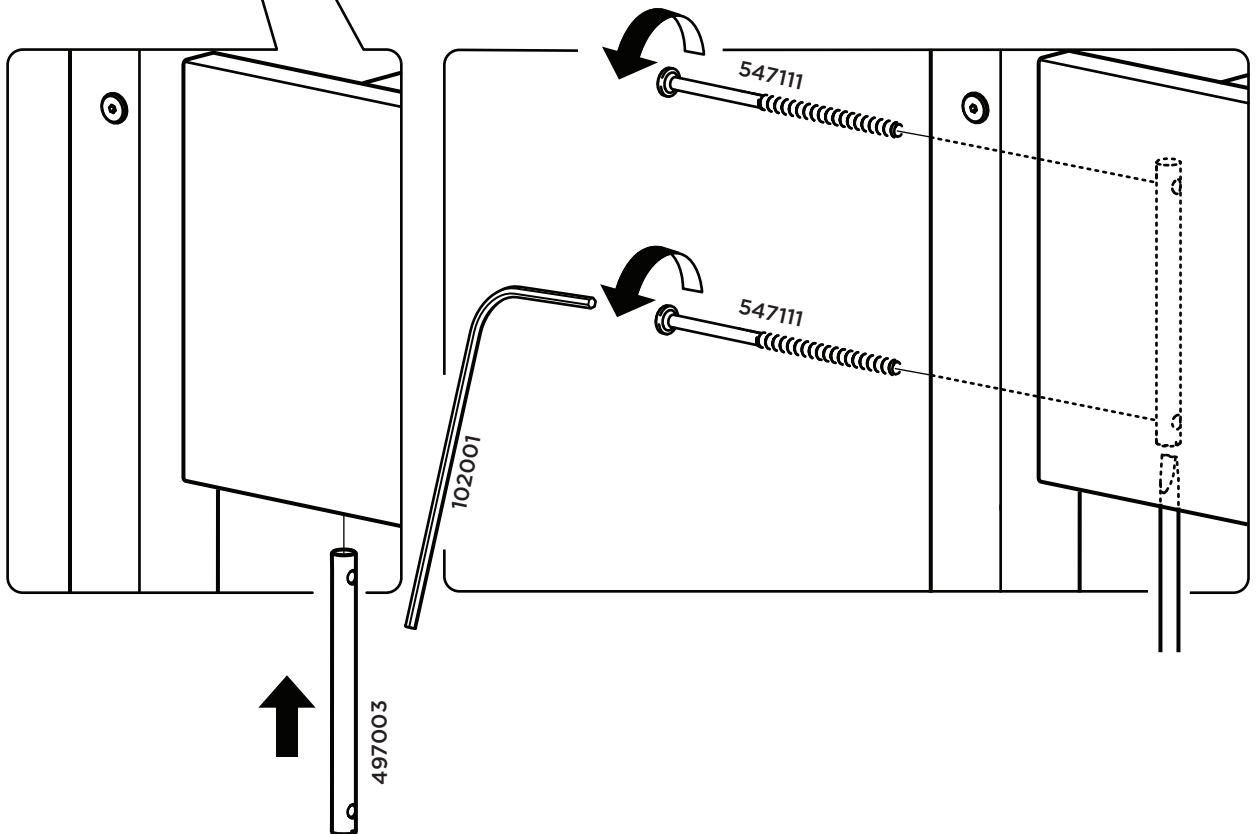
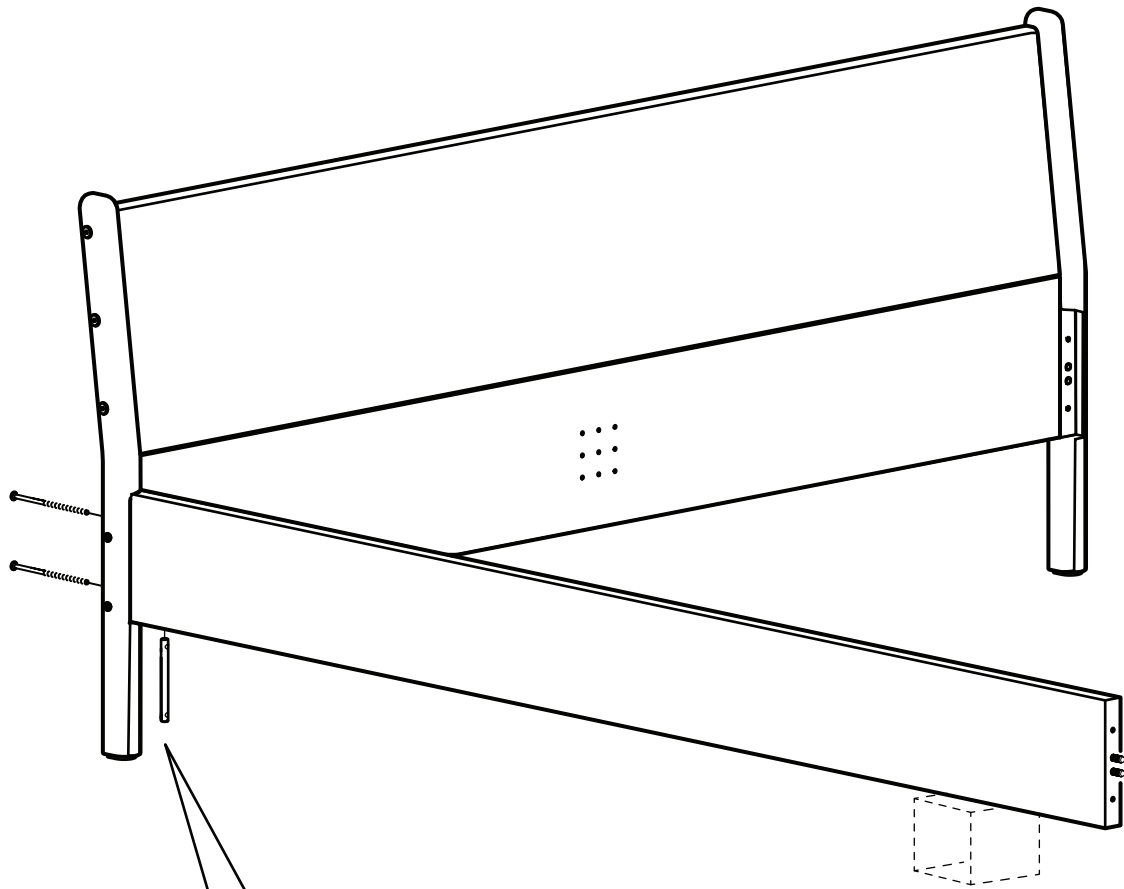


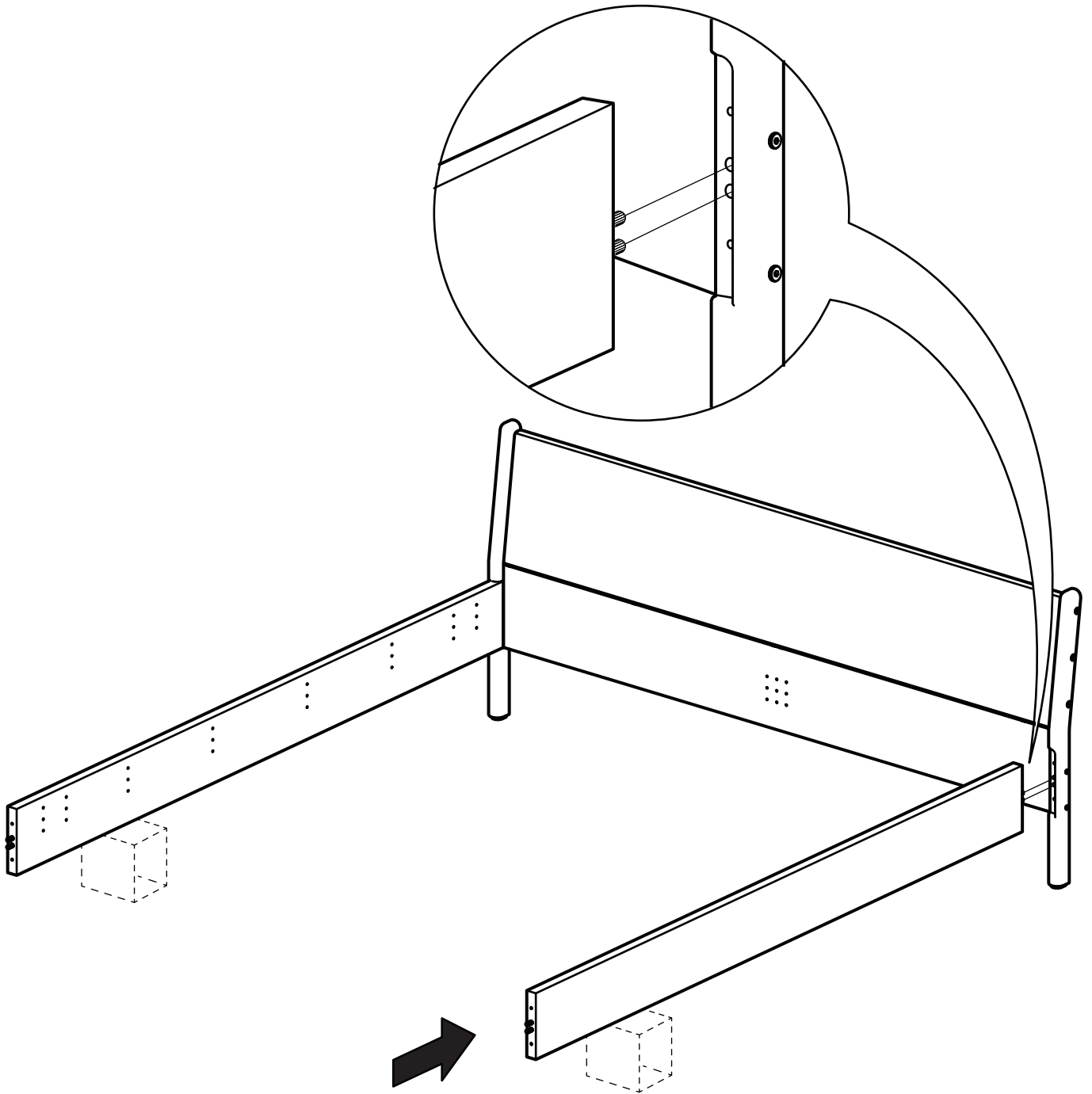
9

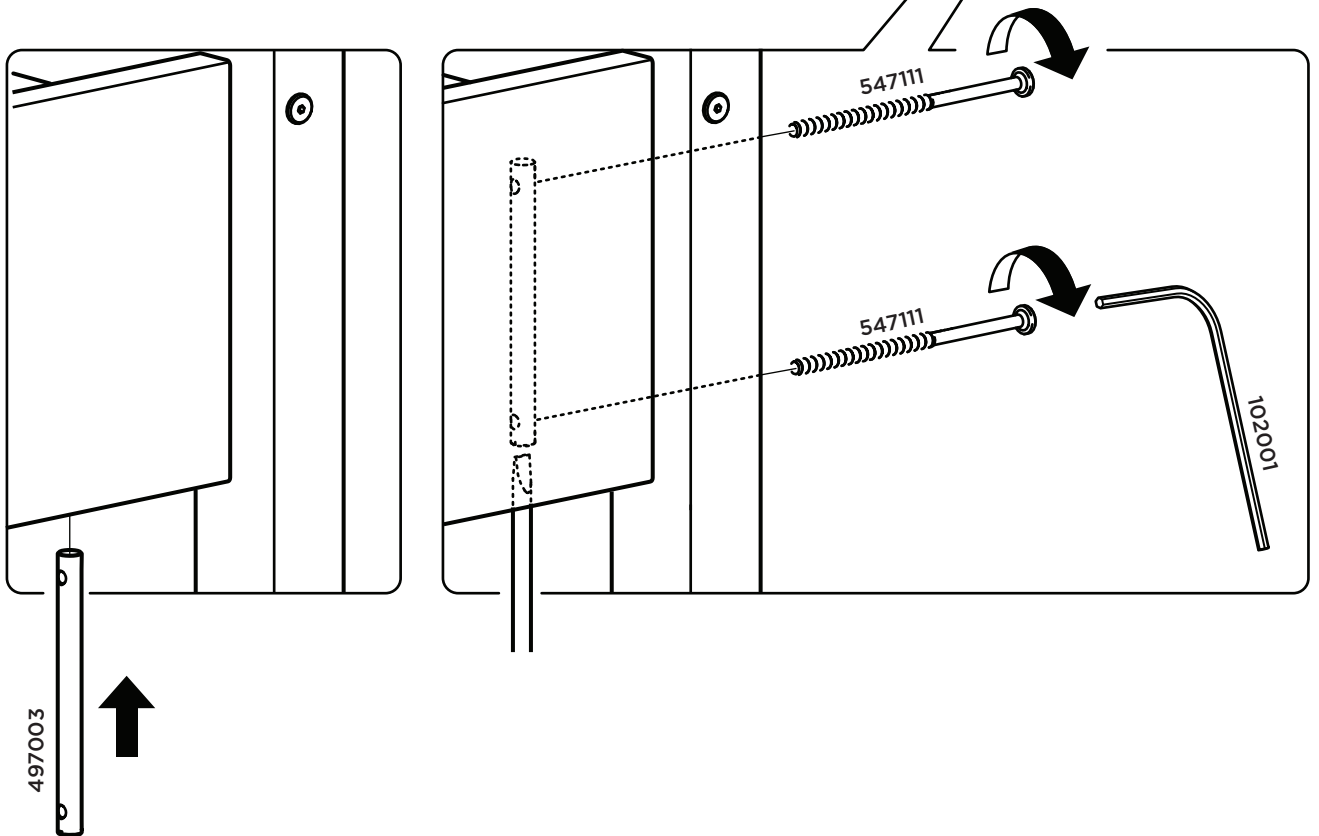
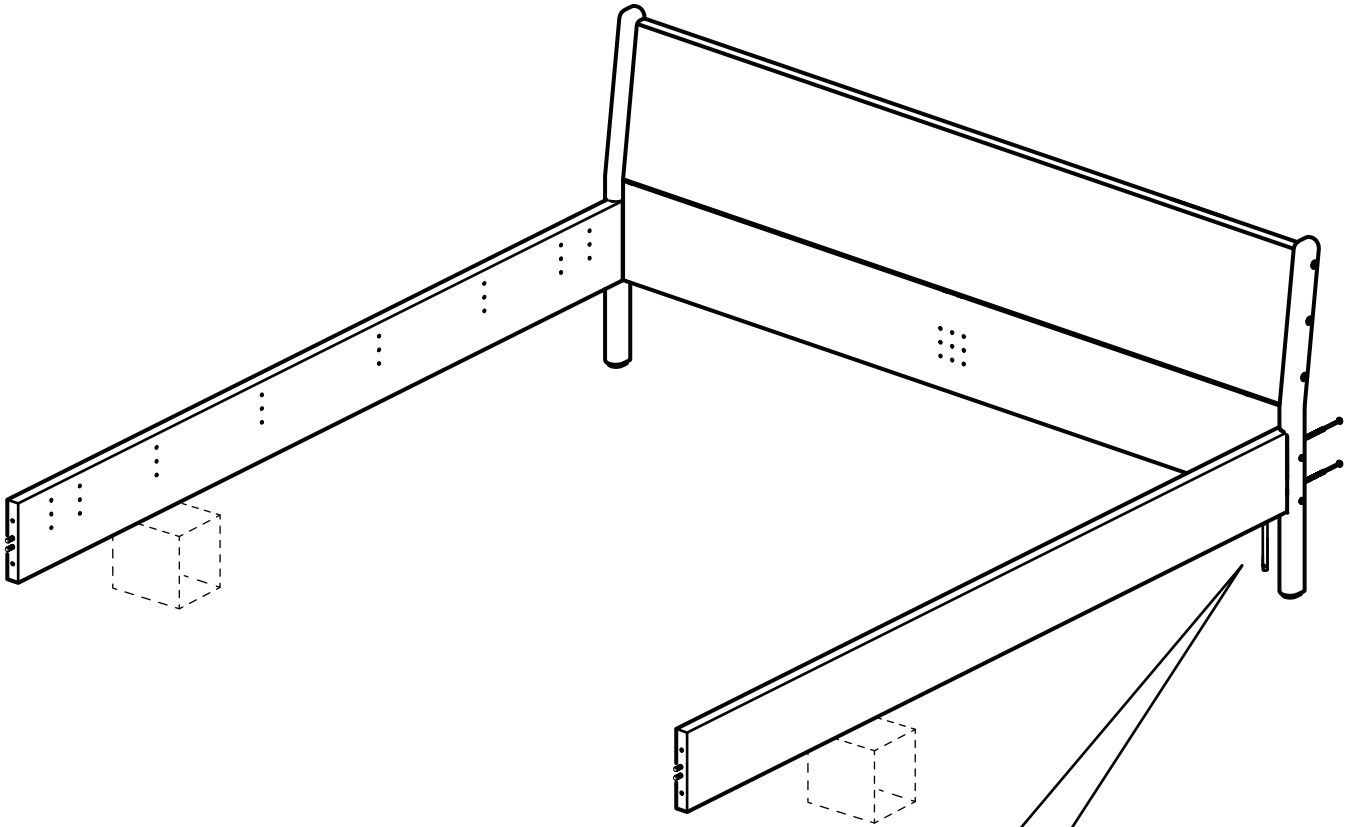


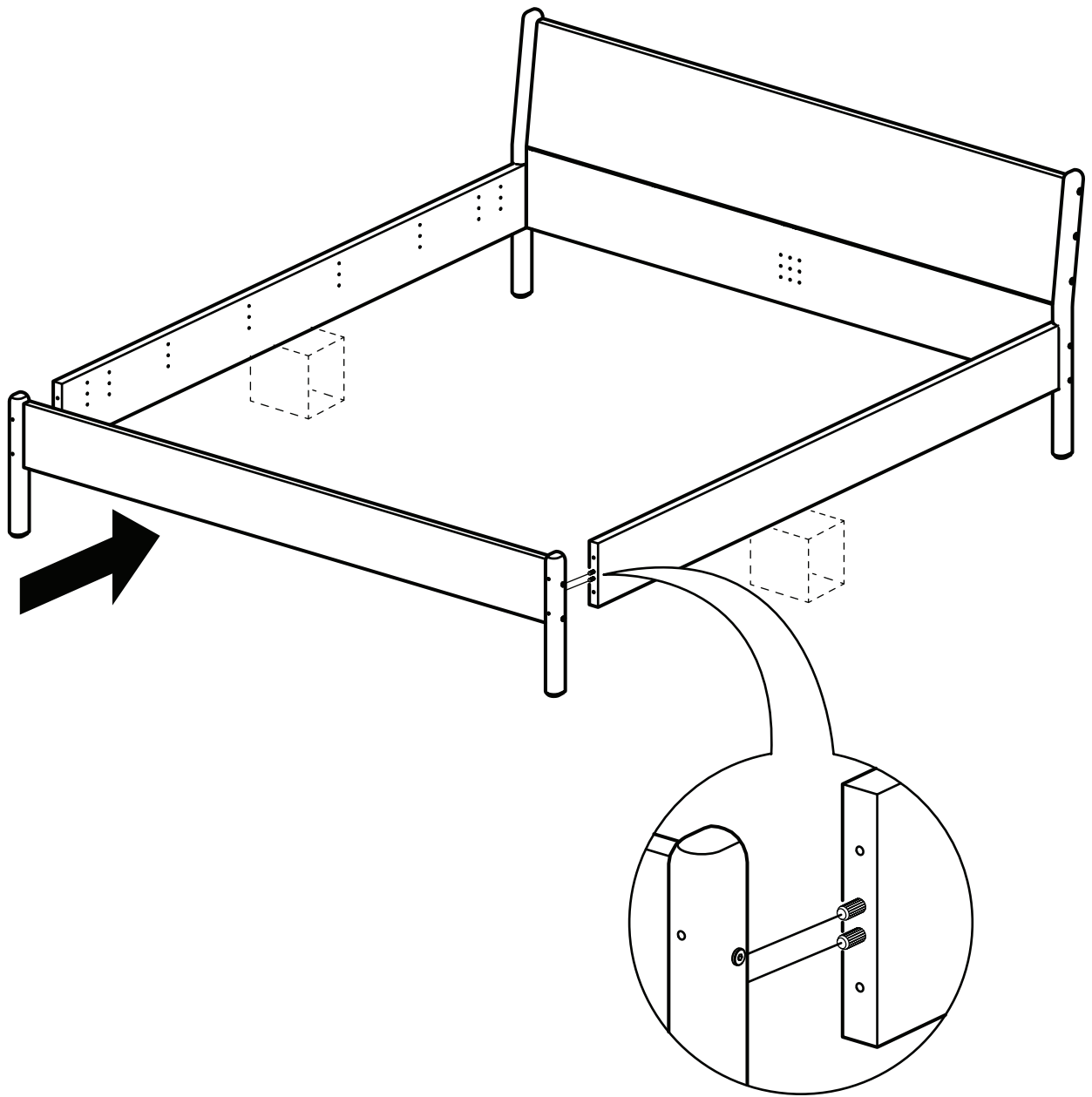
10

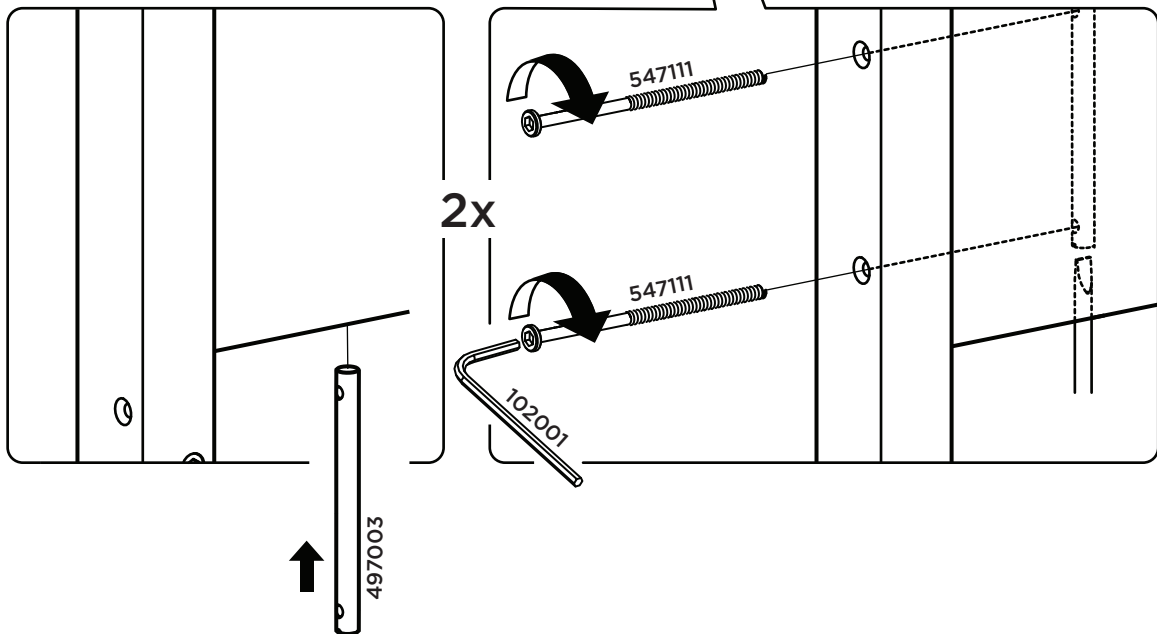
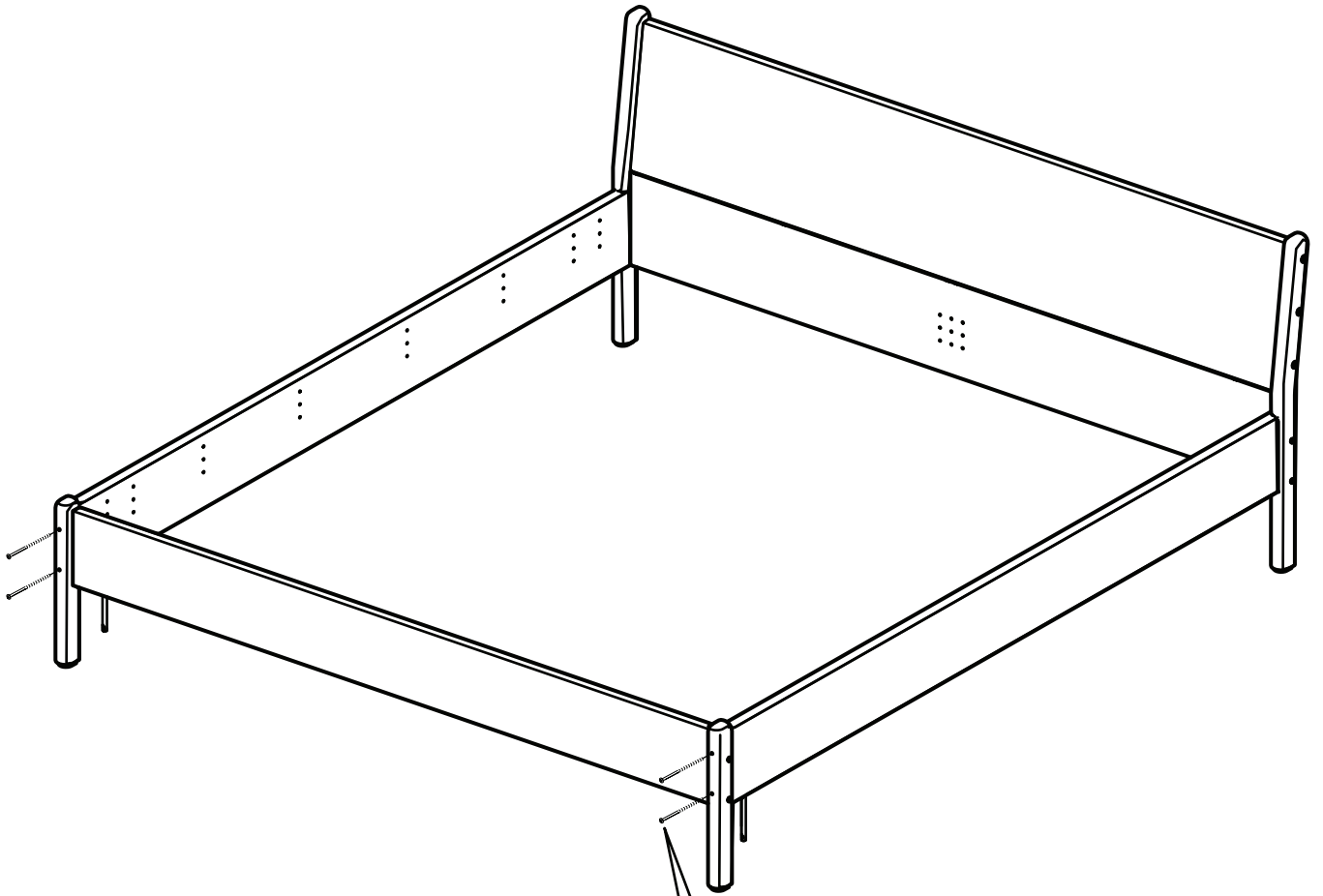


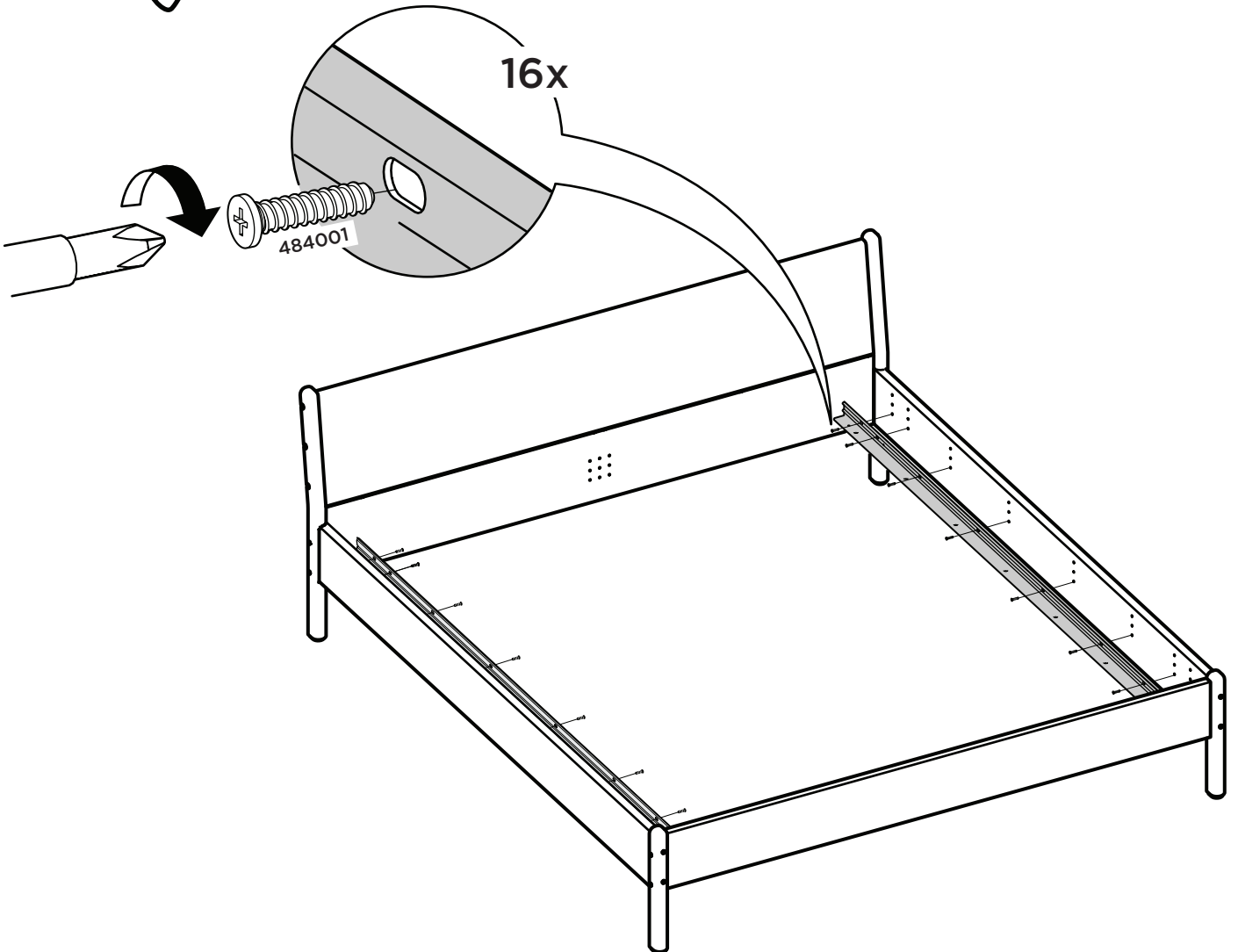
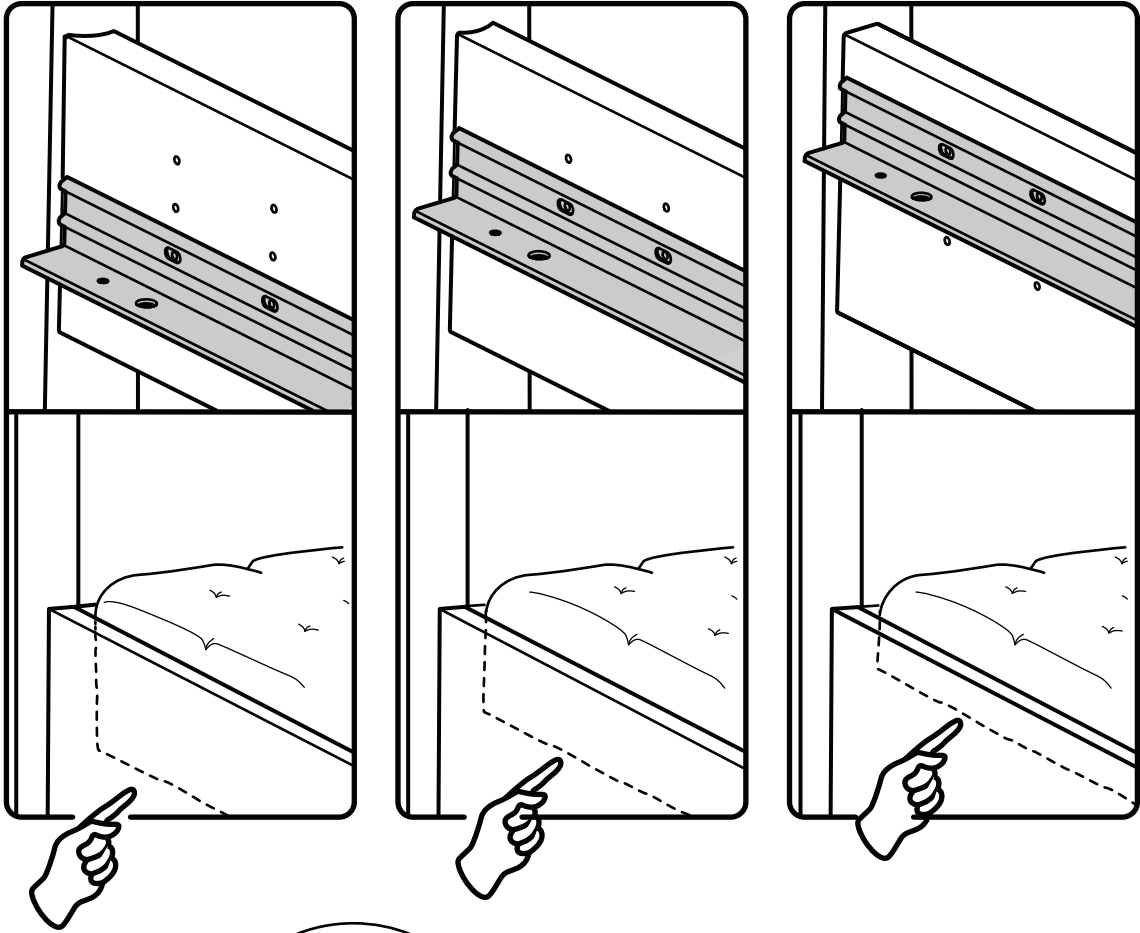




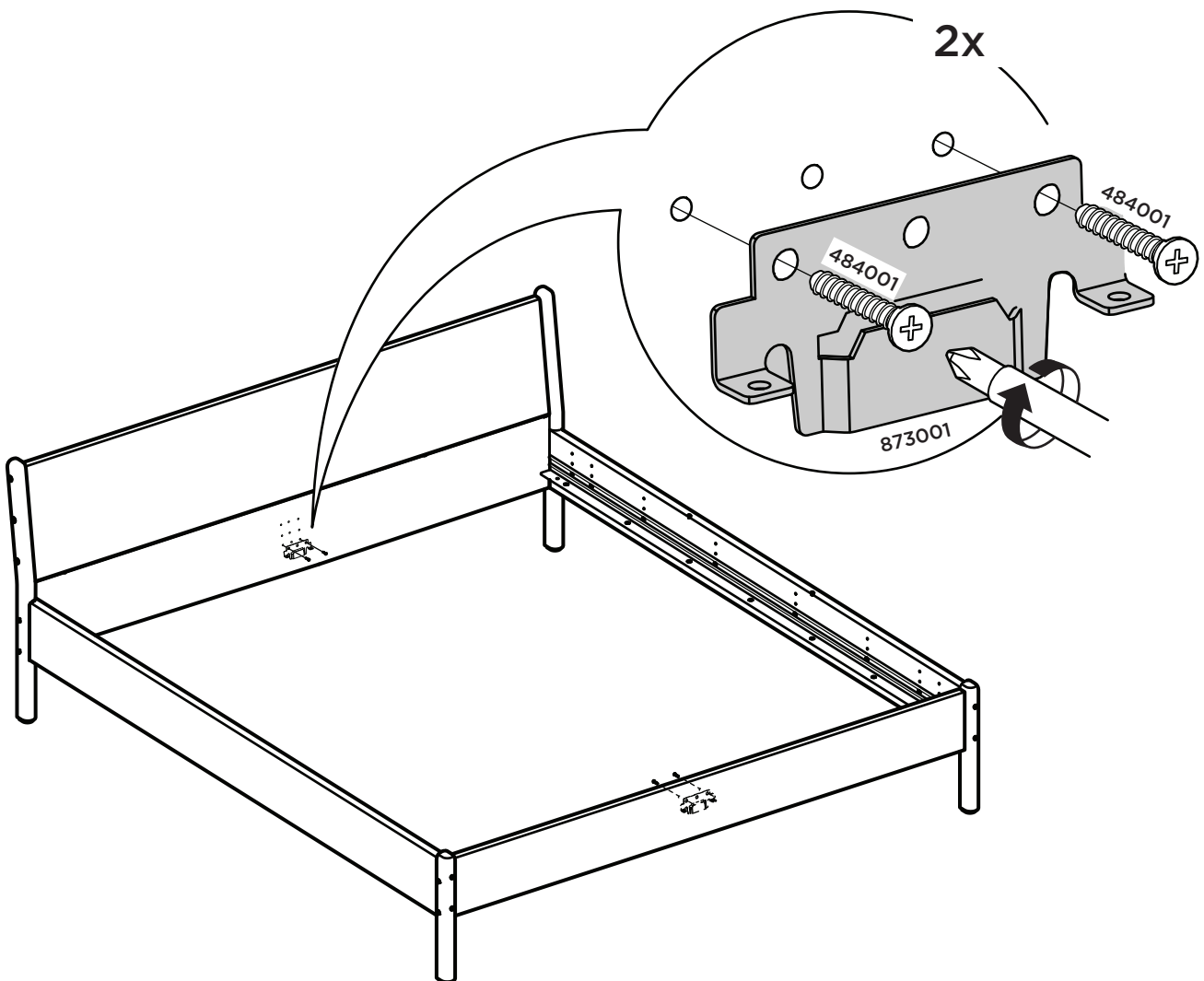
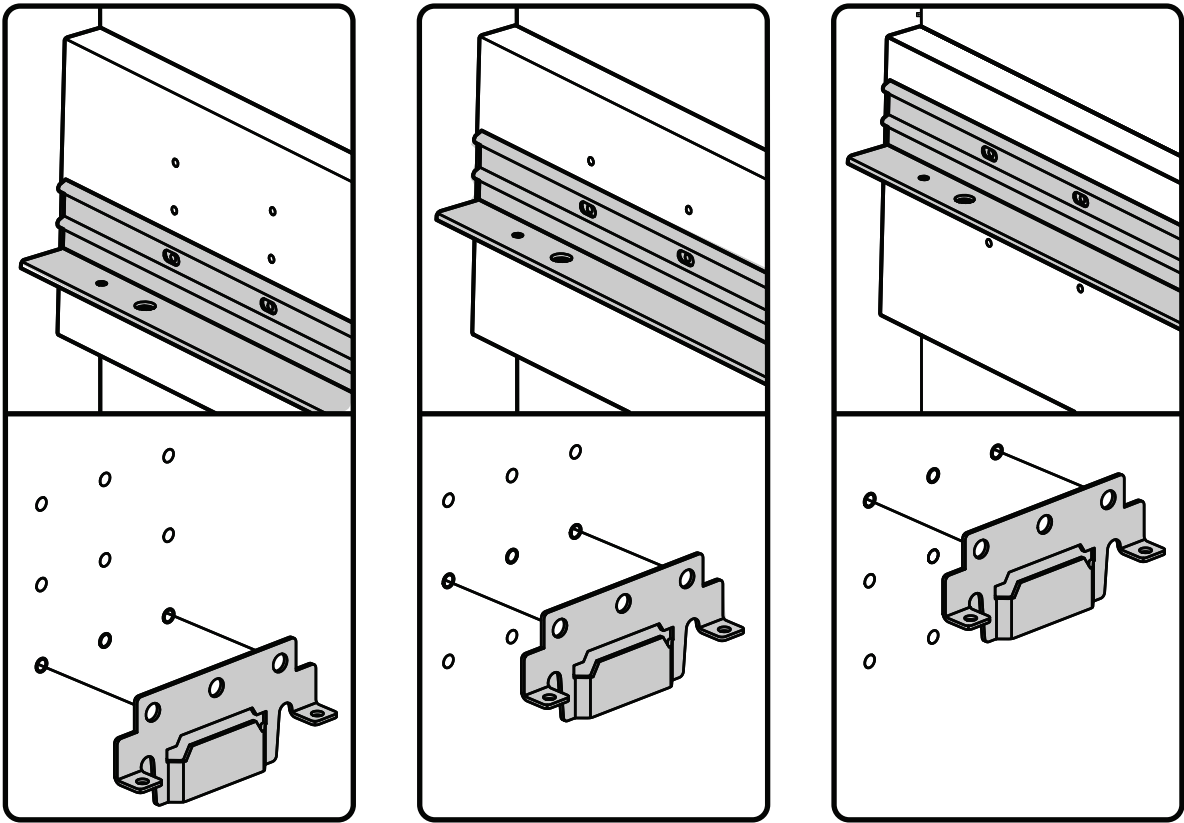






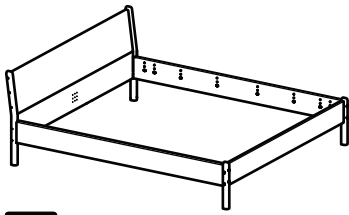




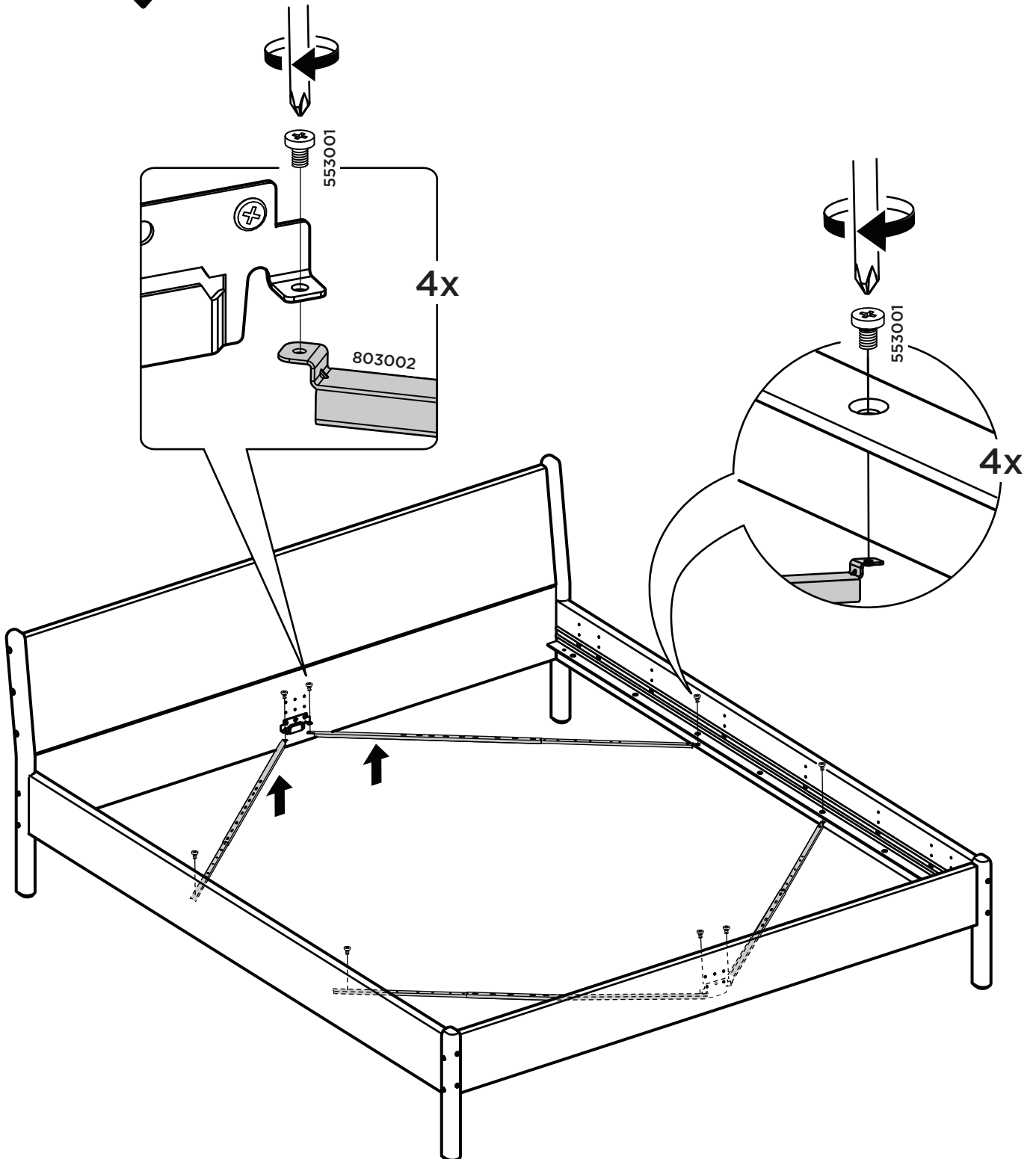
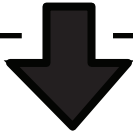
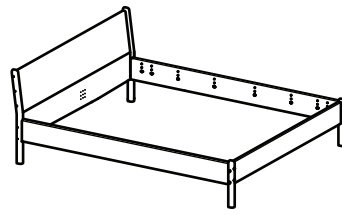


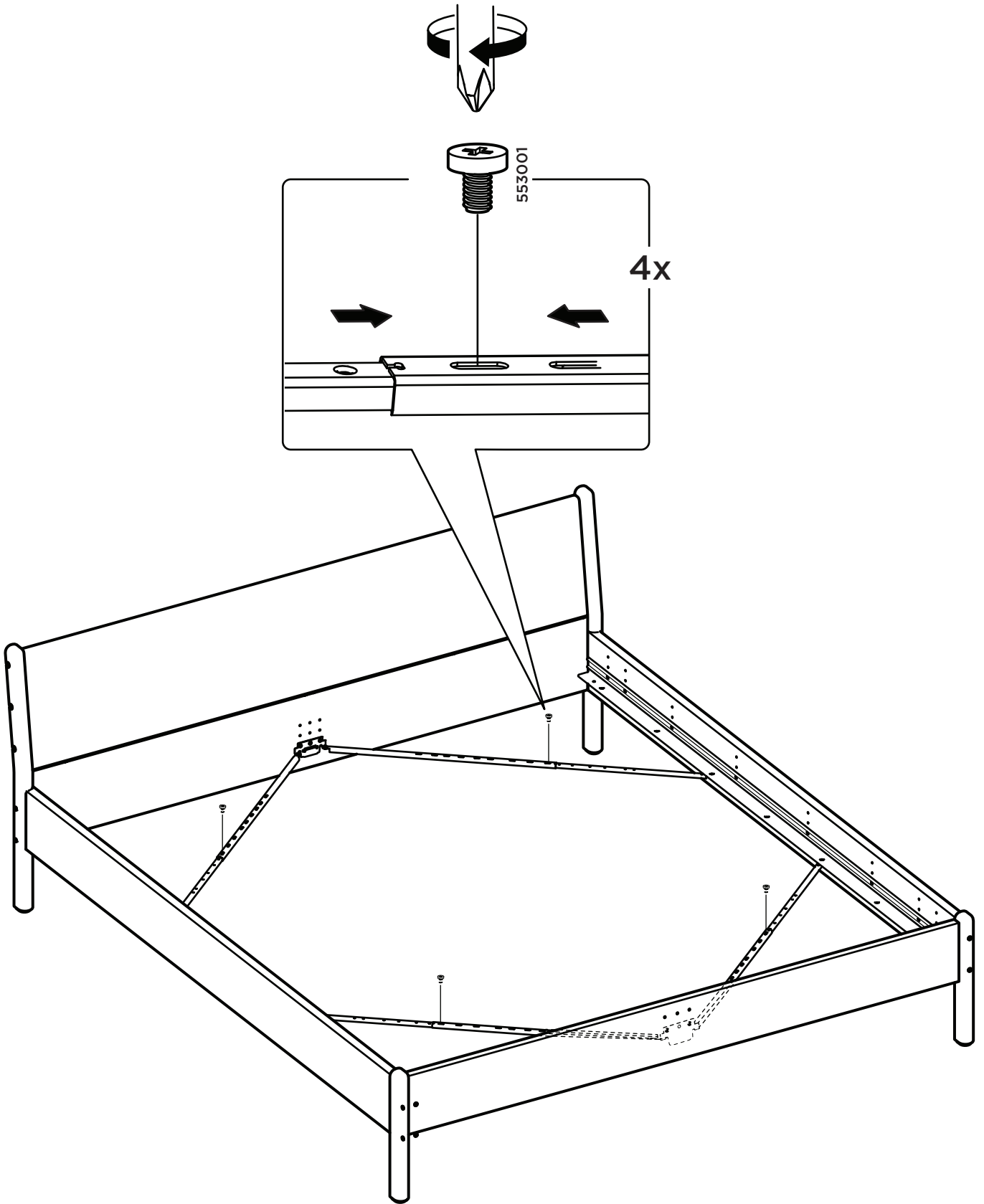
18

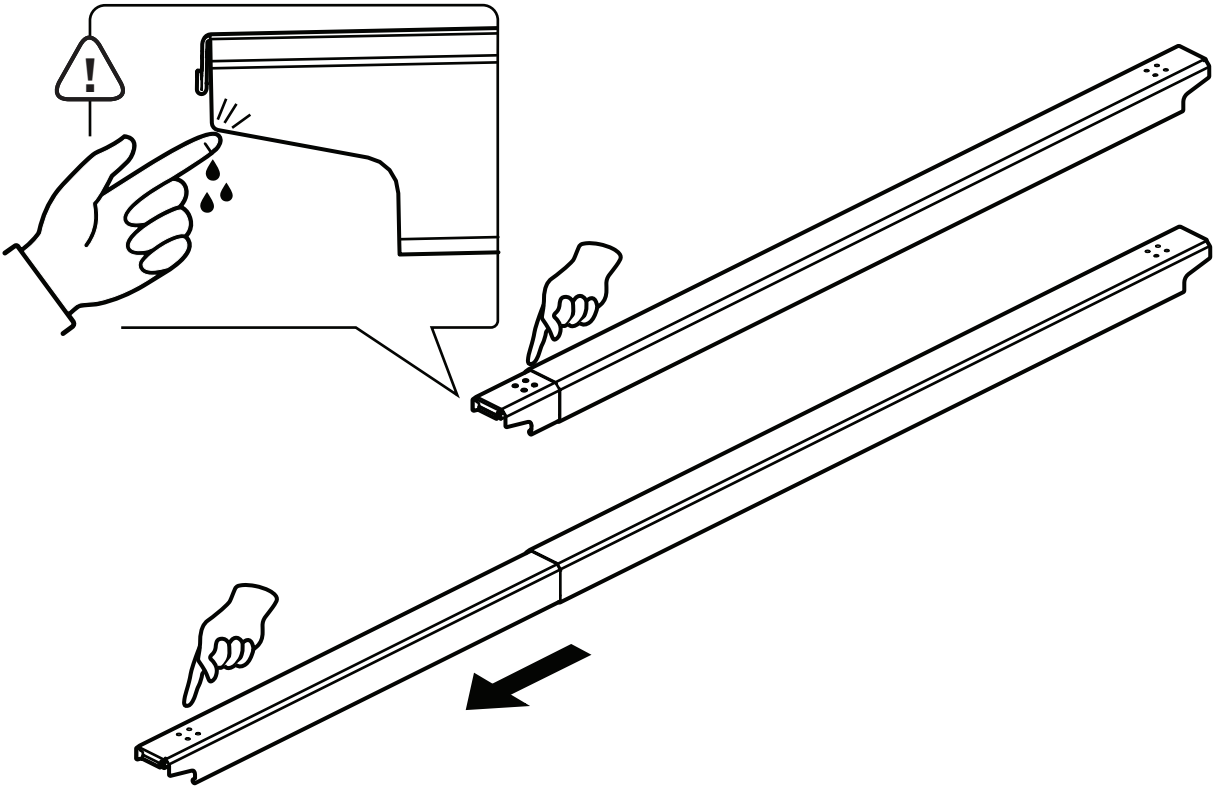
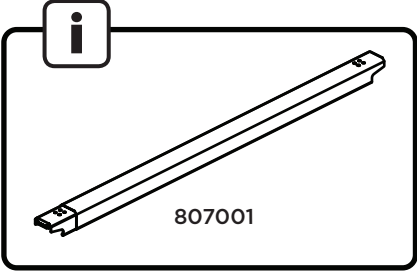
112.008.01  
112.008.02

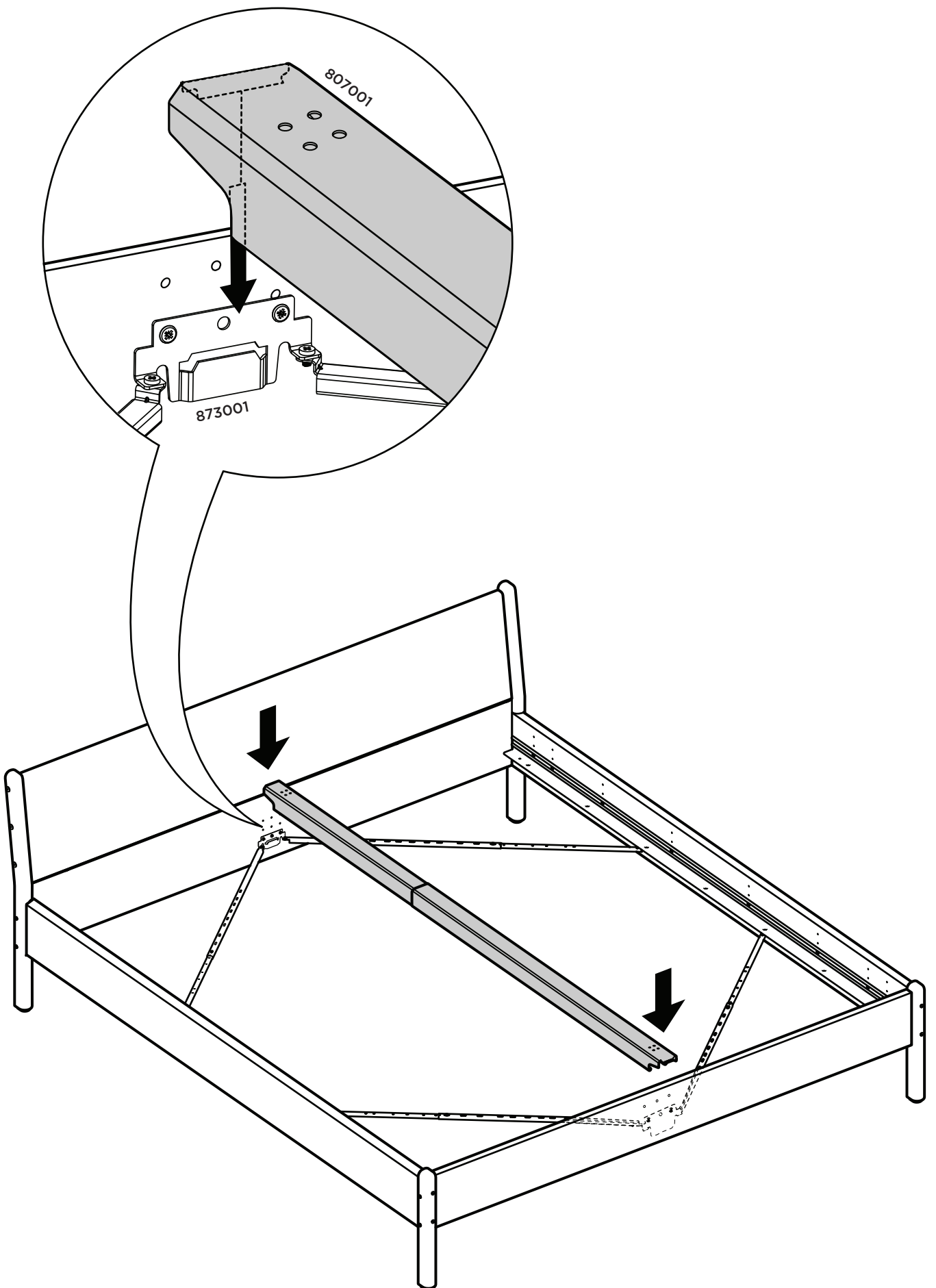


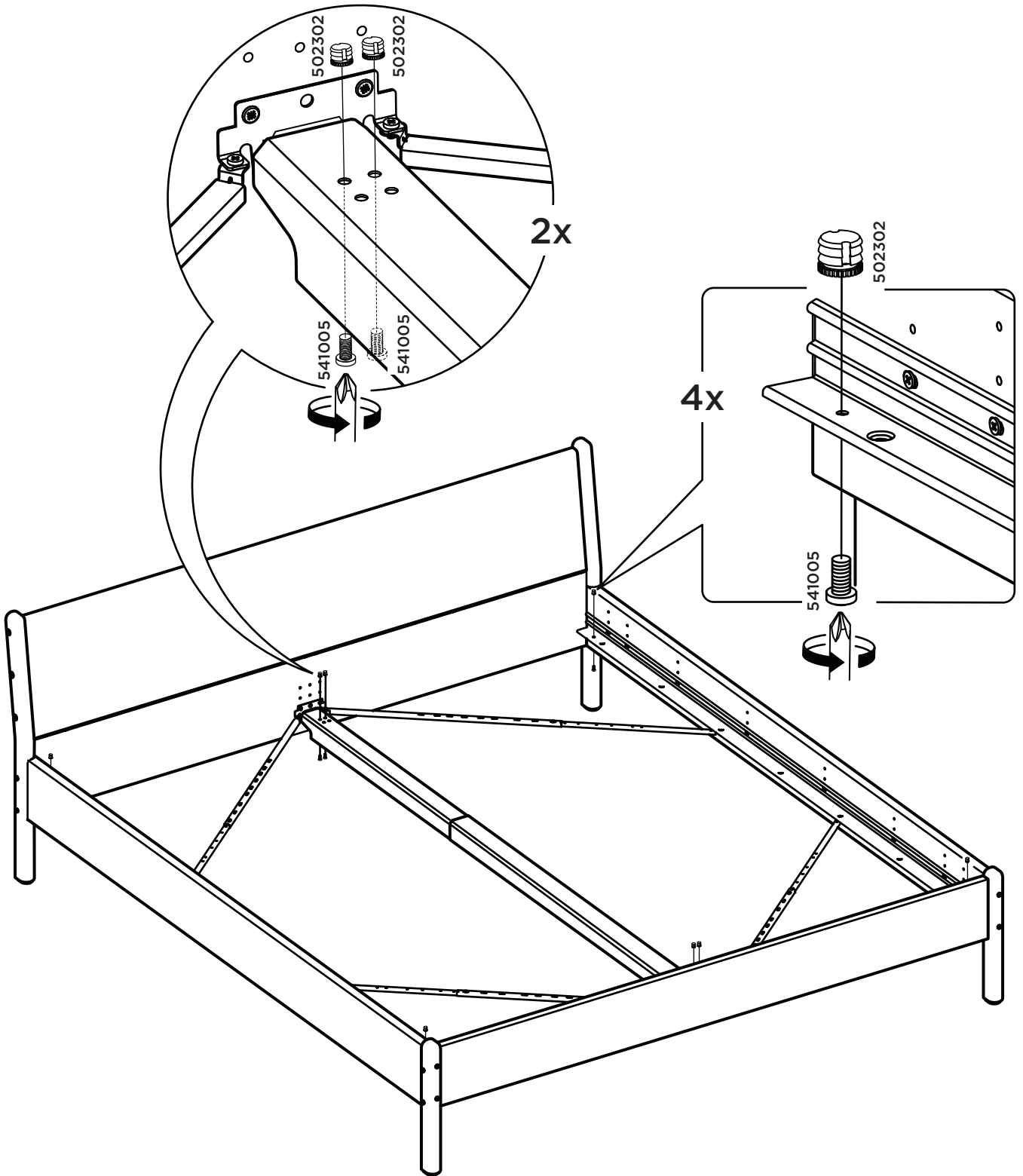
112.008.03  
112.008.04

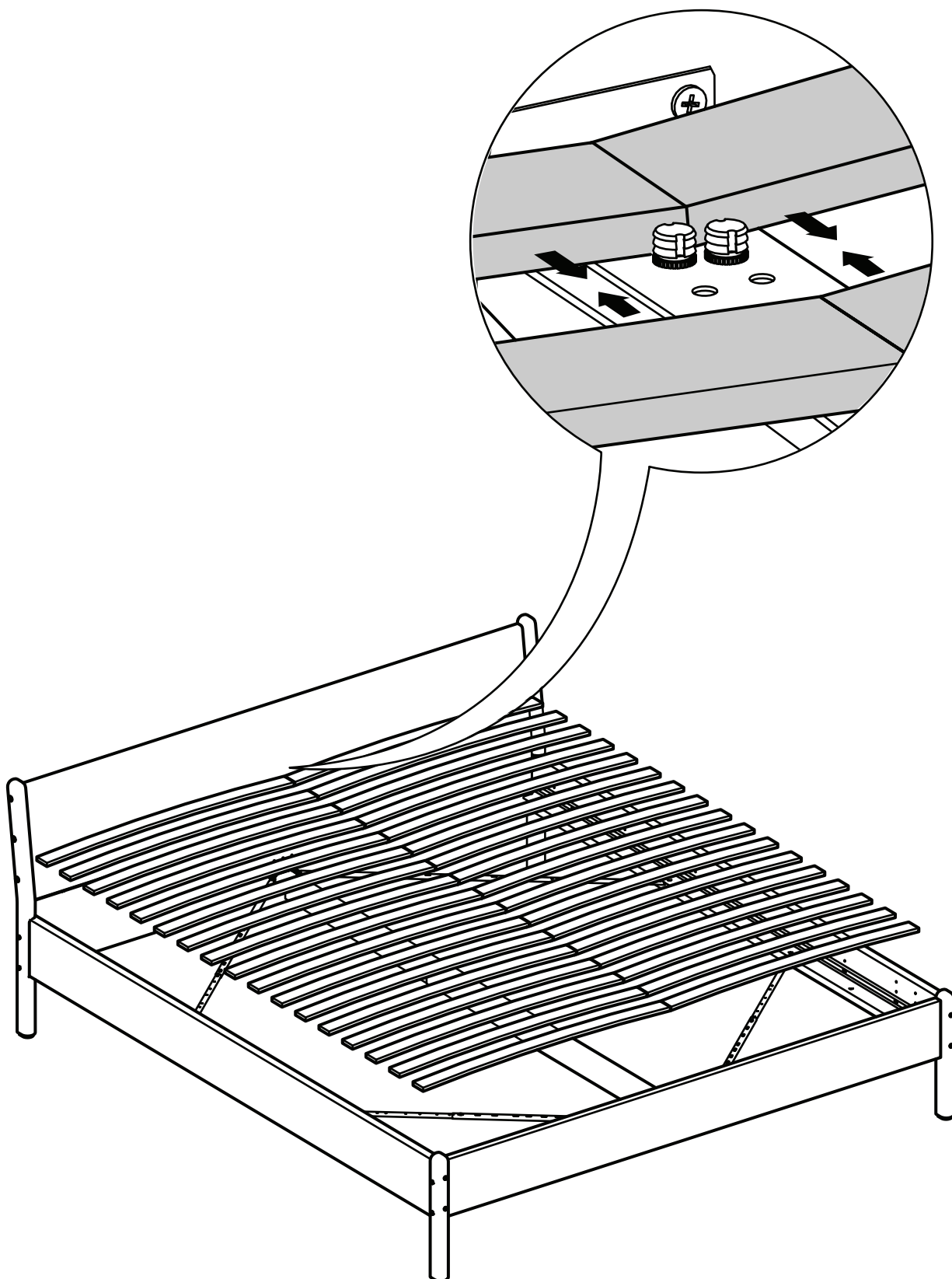
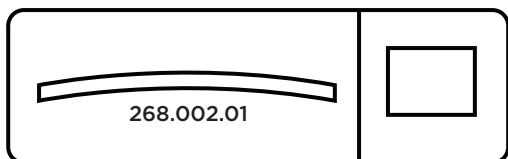


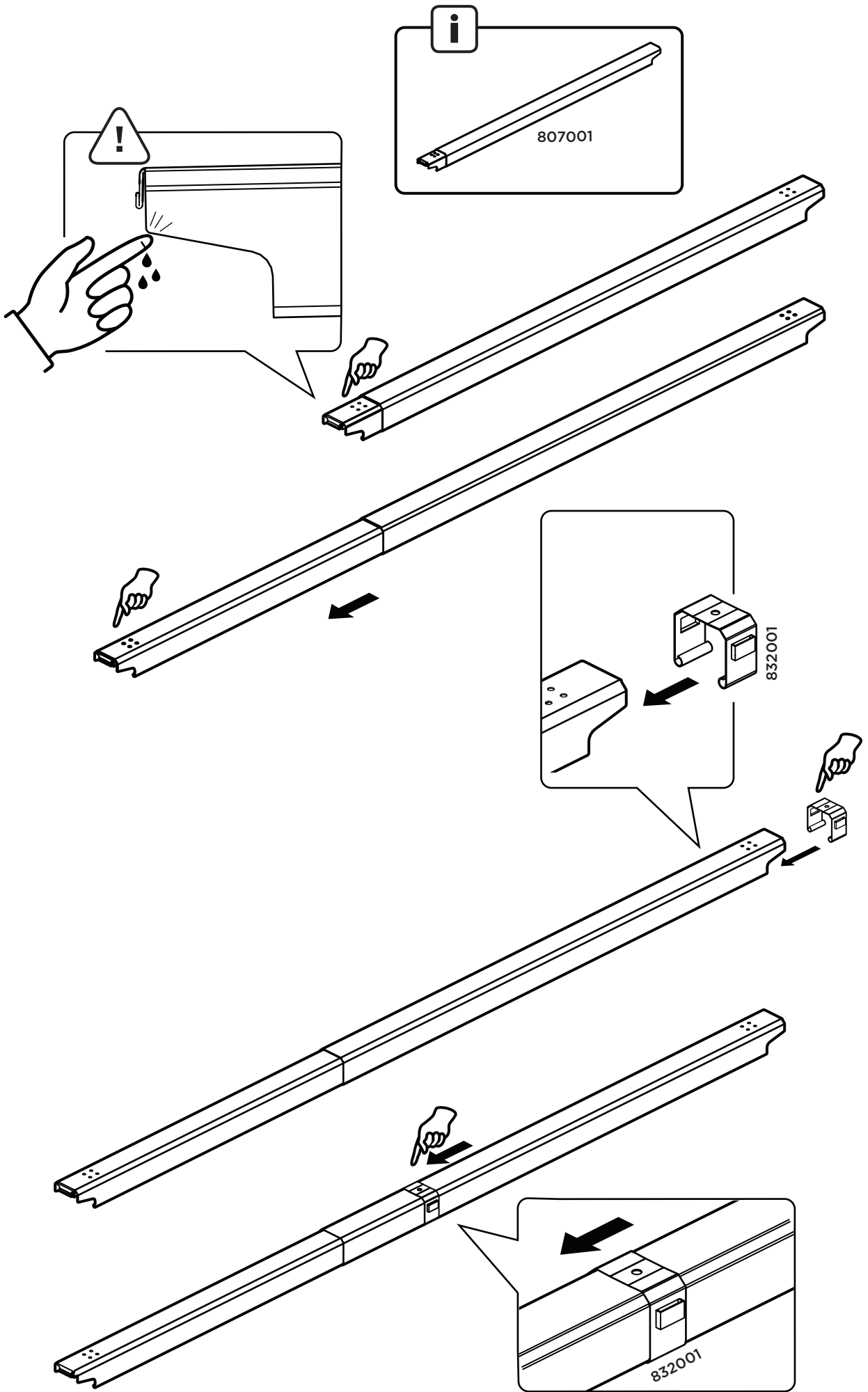




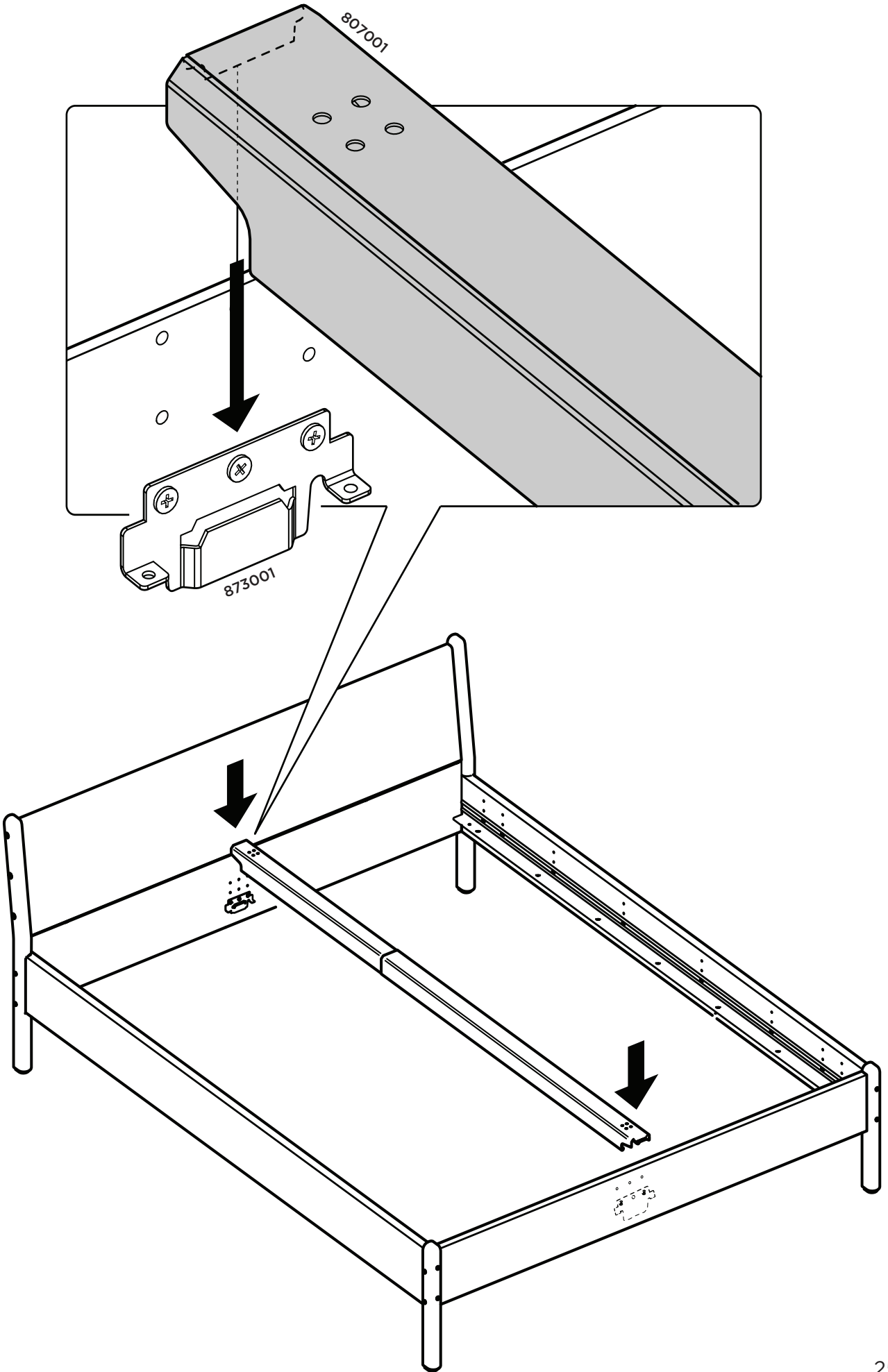


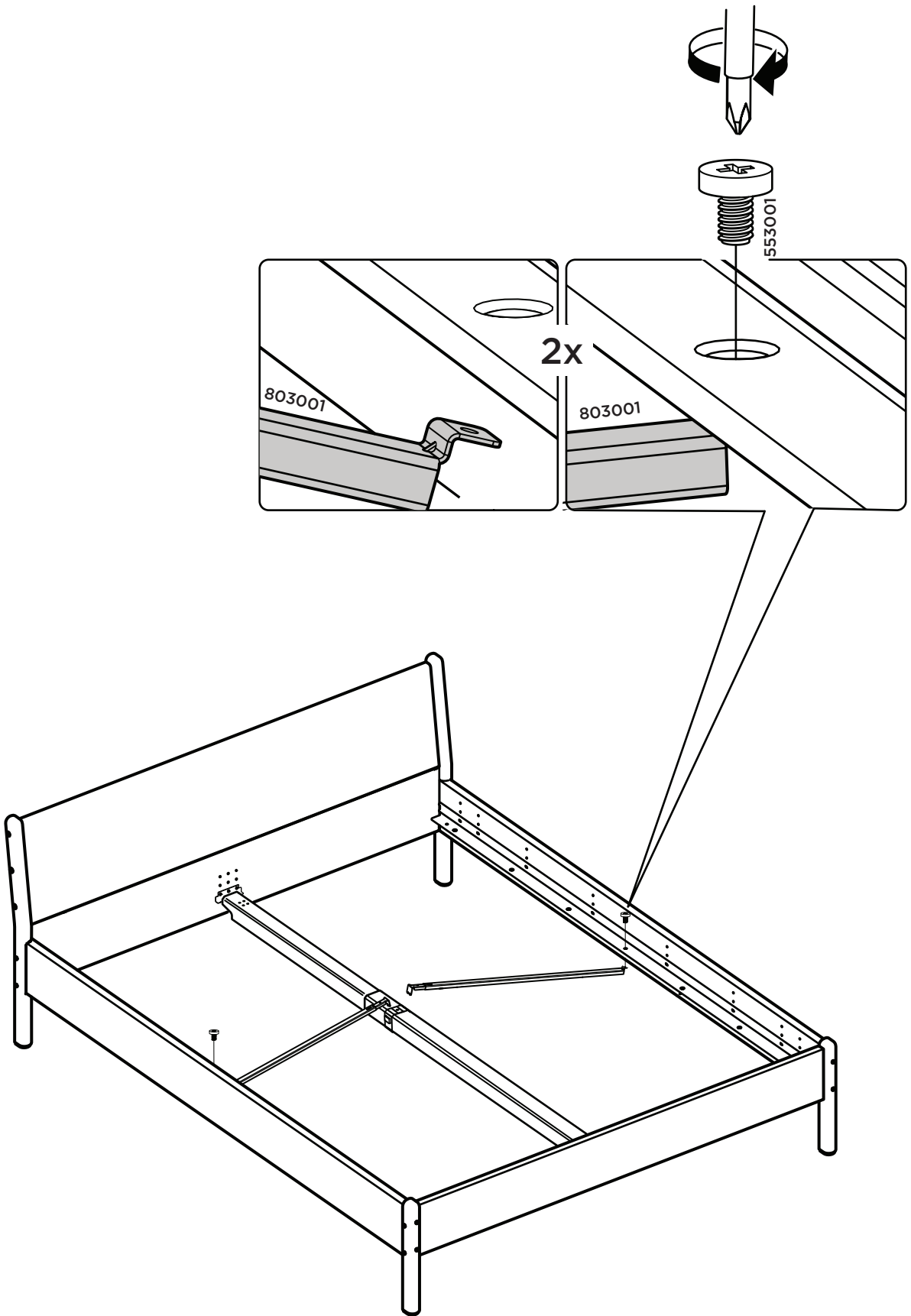


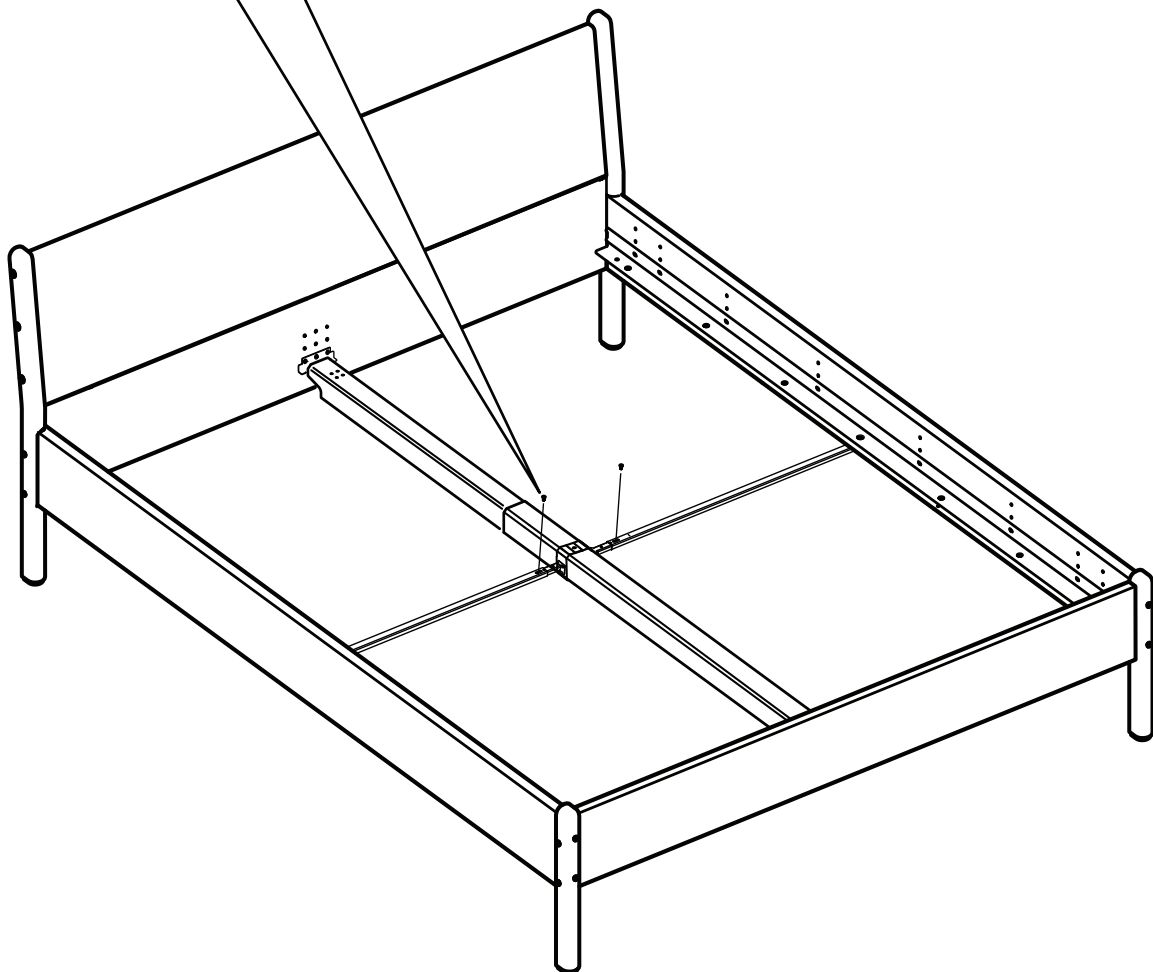
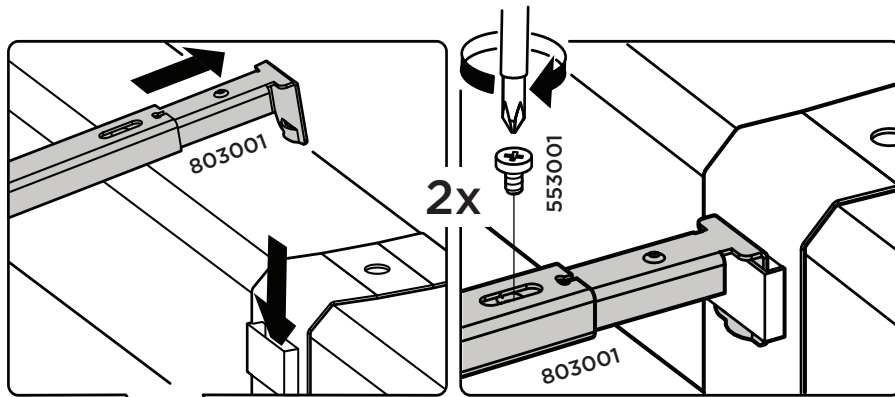
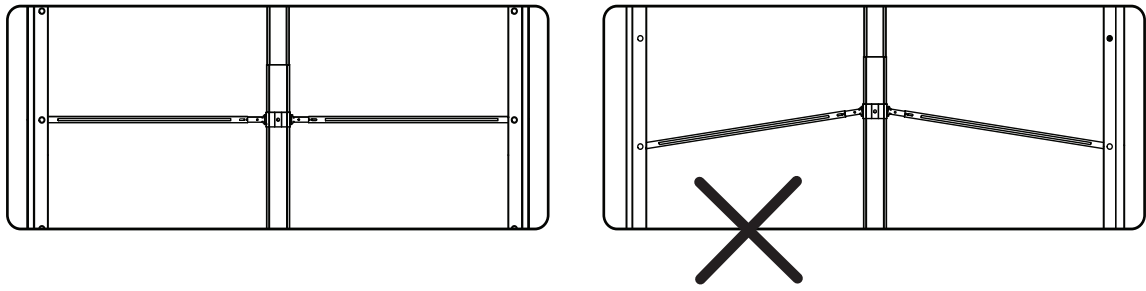


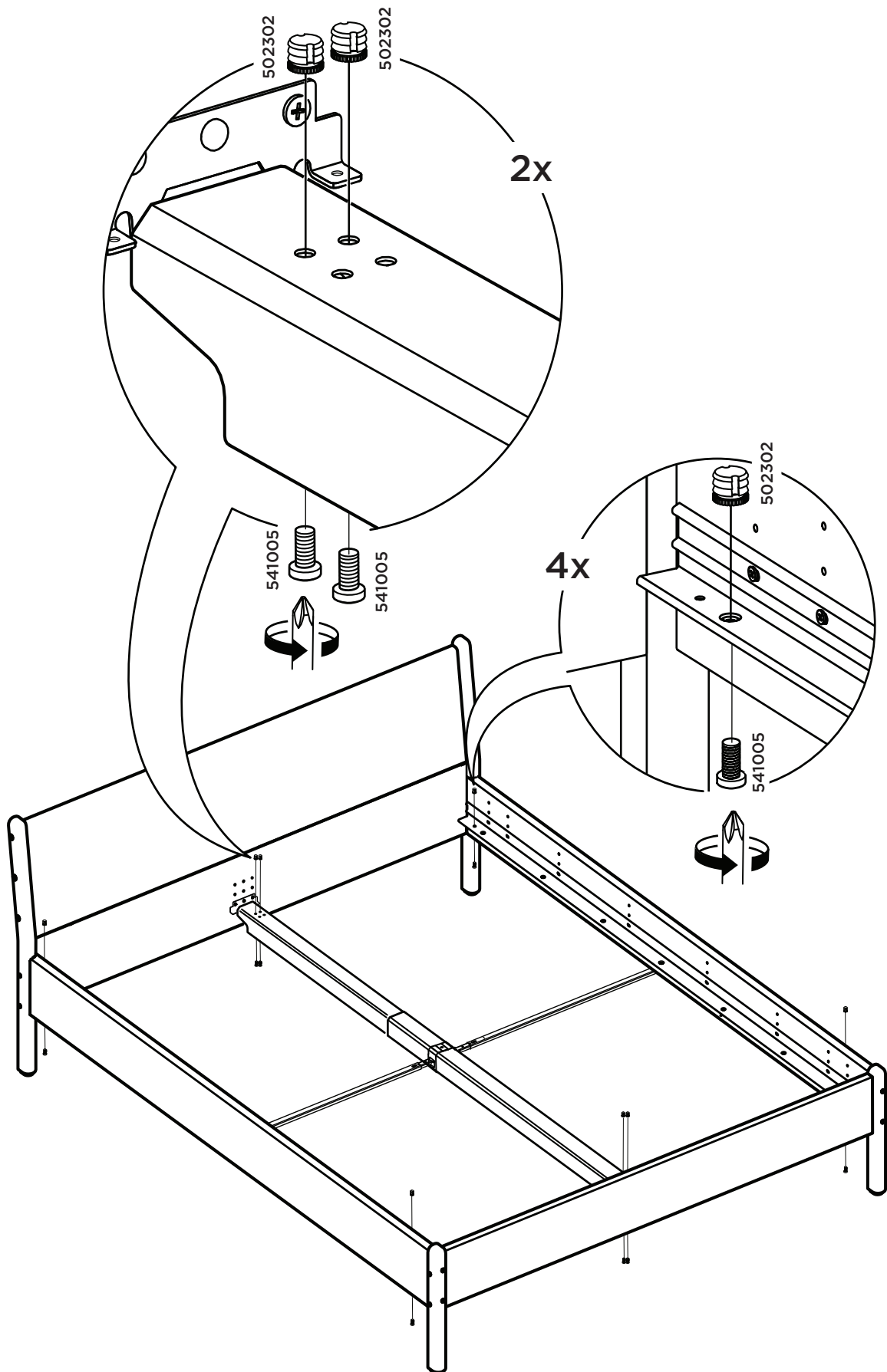


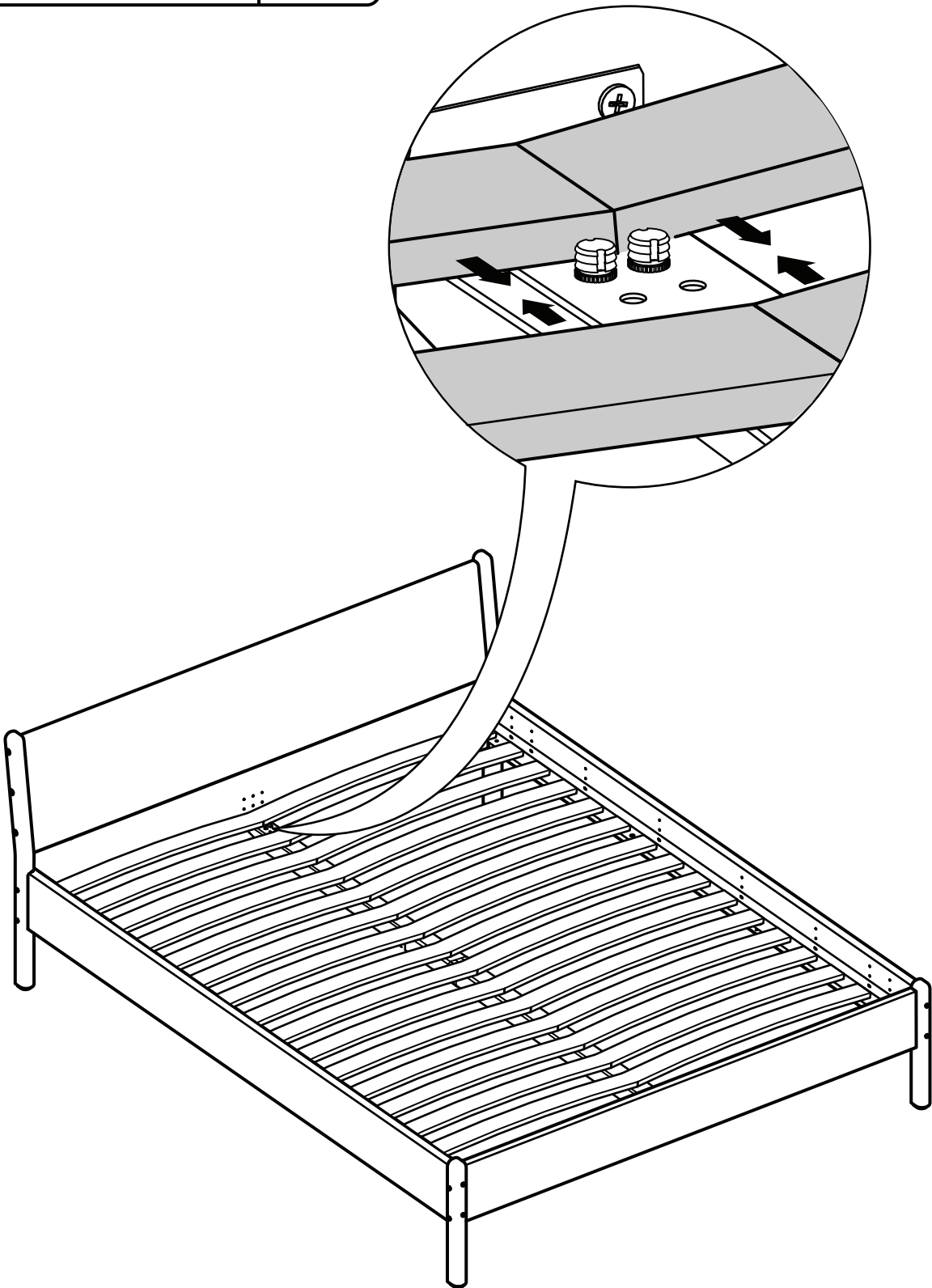
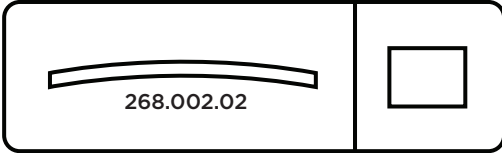
















**metercube**