

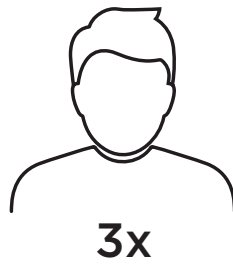
# reshta

112.009.01

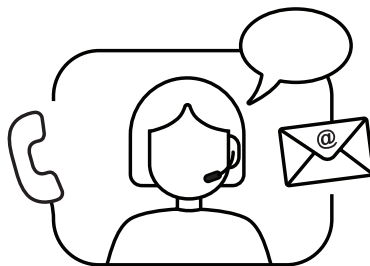
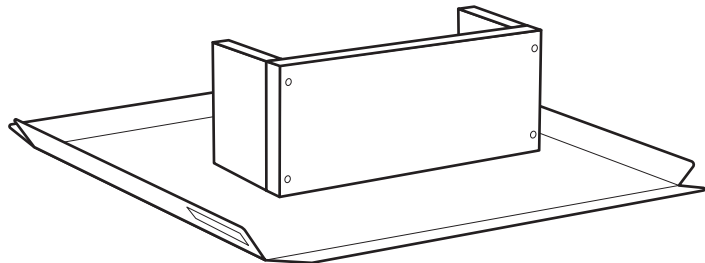
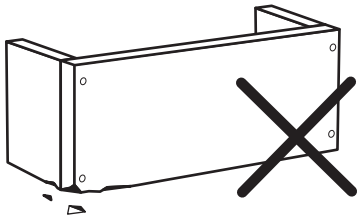
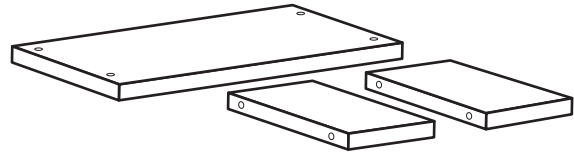
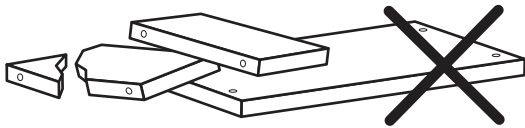
112.009.02

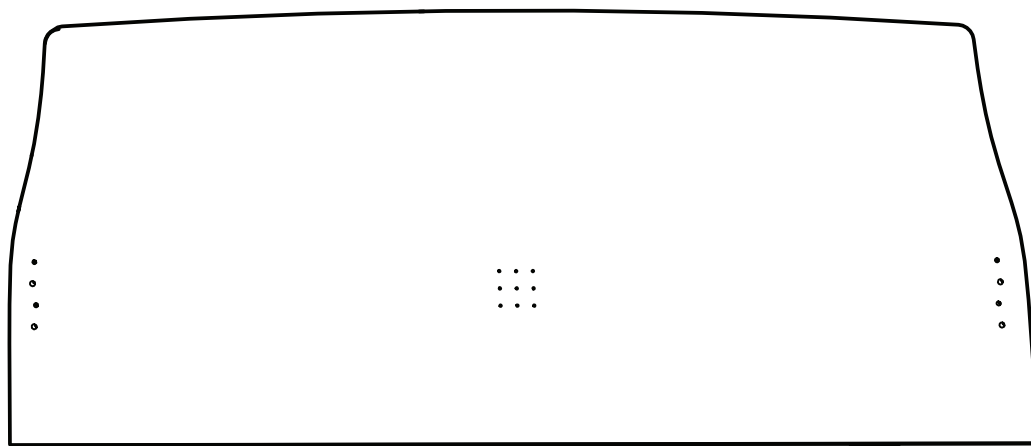
112.009.03

112.009.04



3x

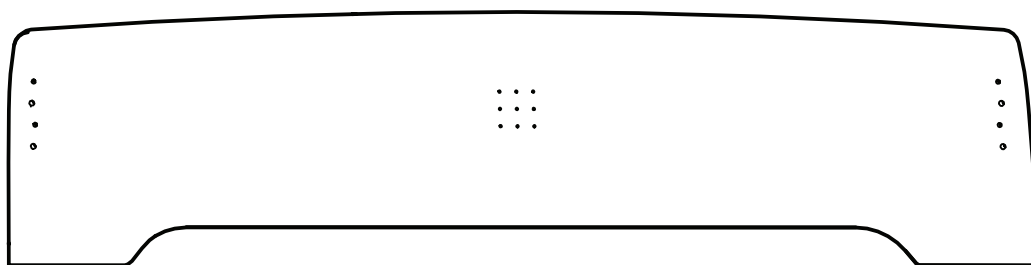




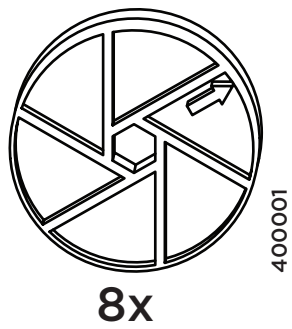
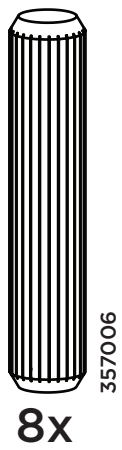
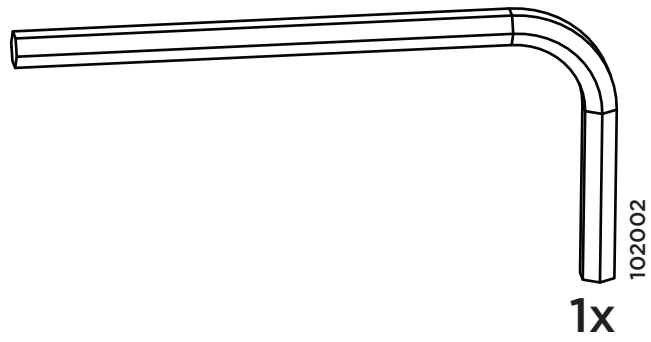
1x

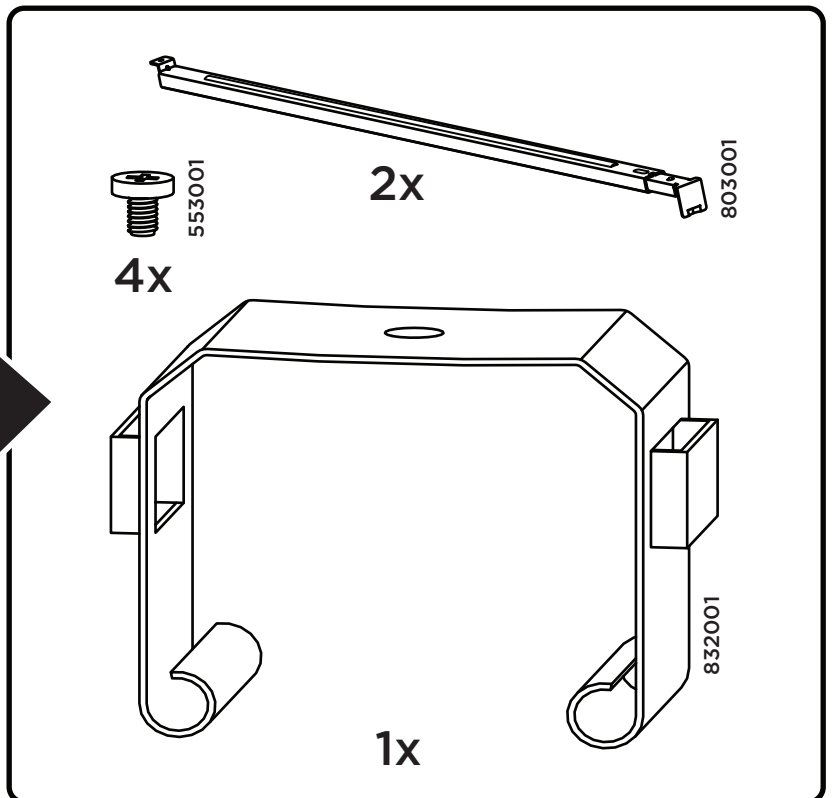
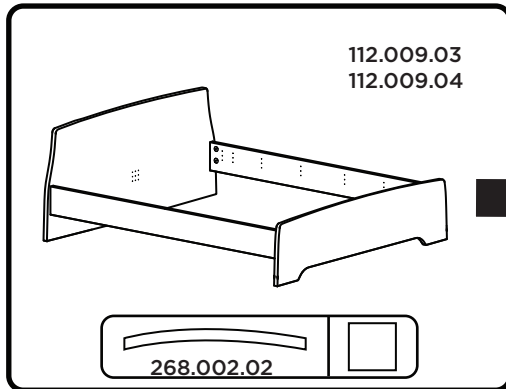
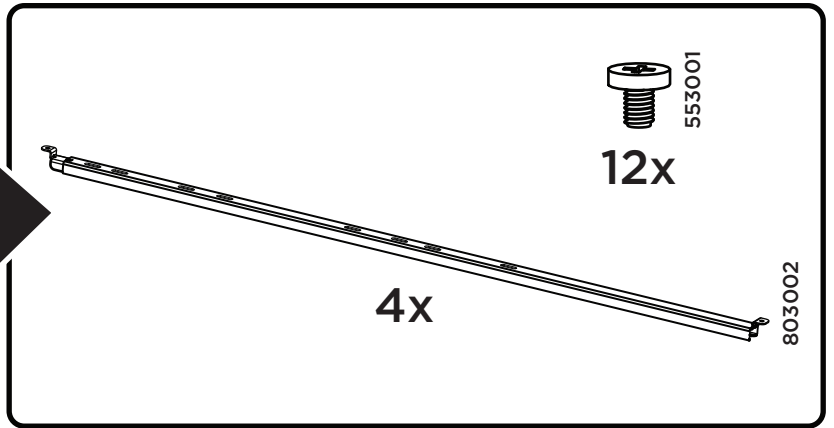
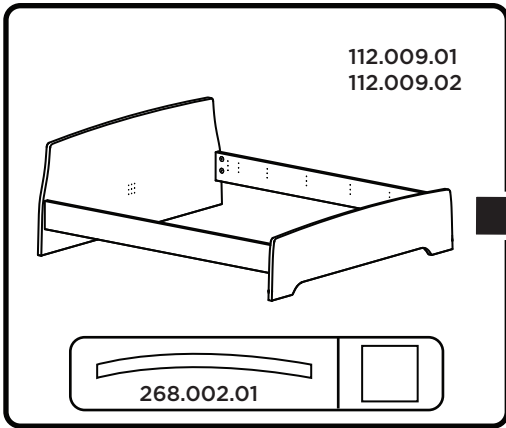
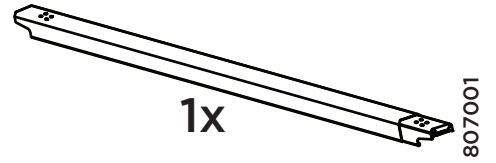
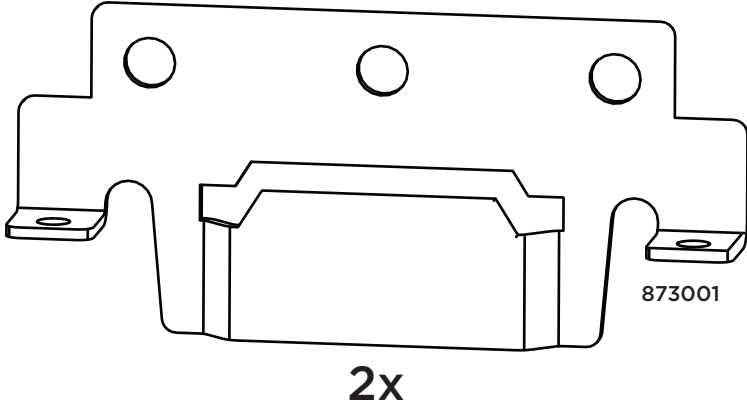
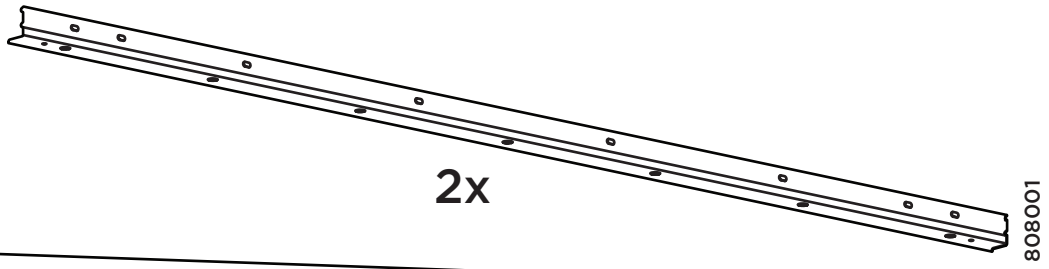


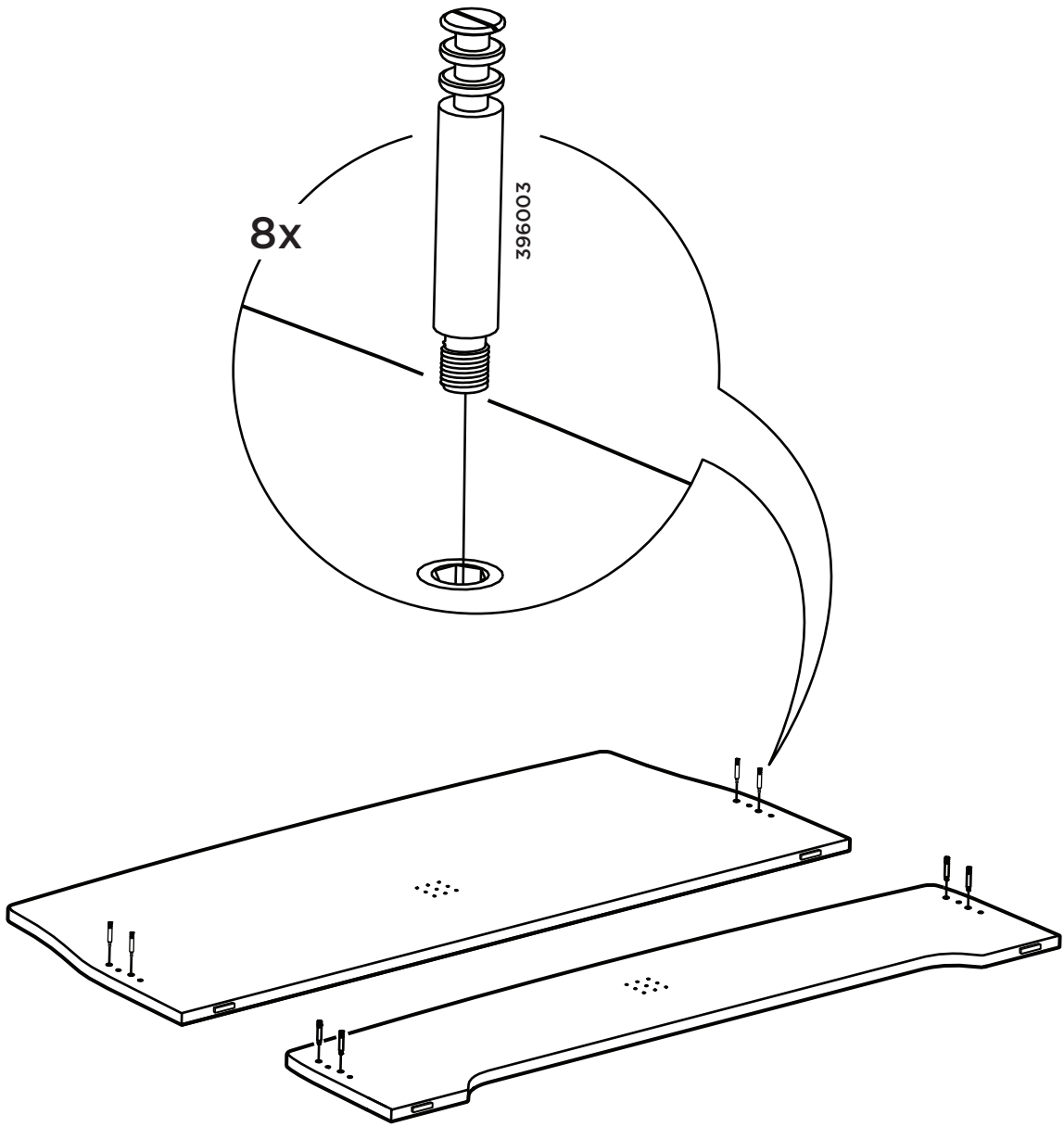
2x

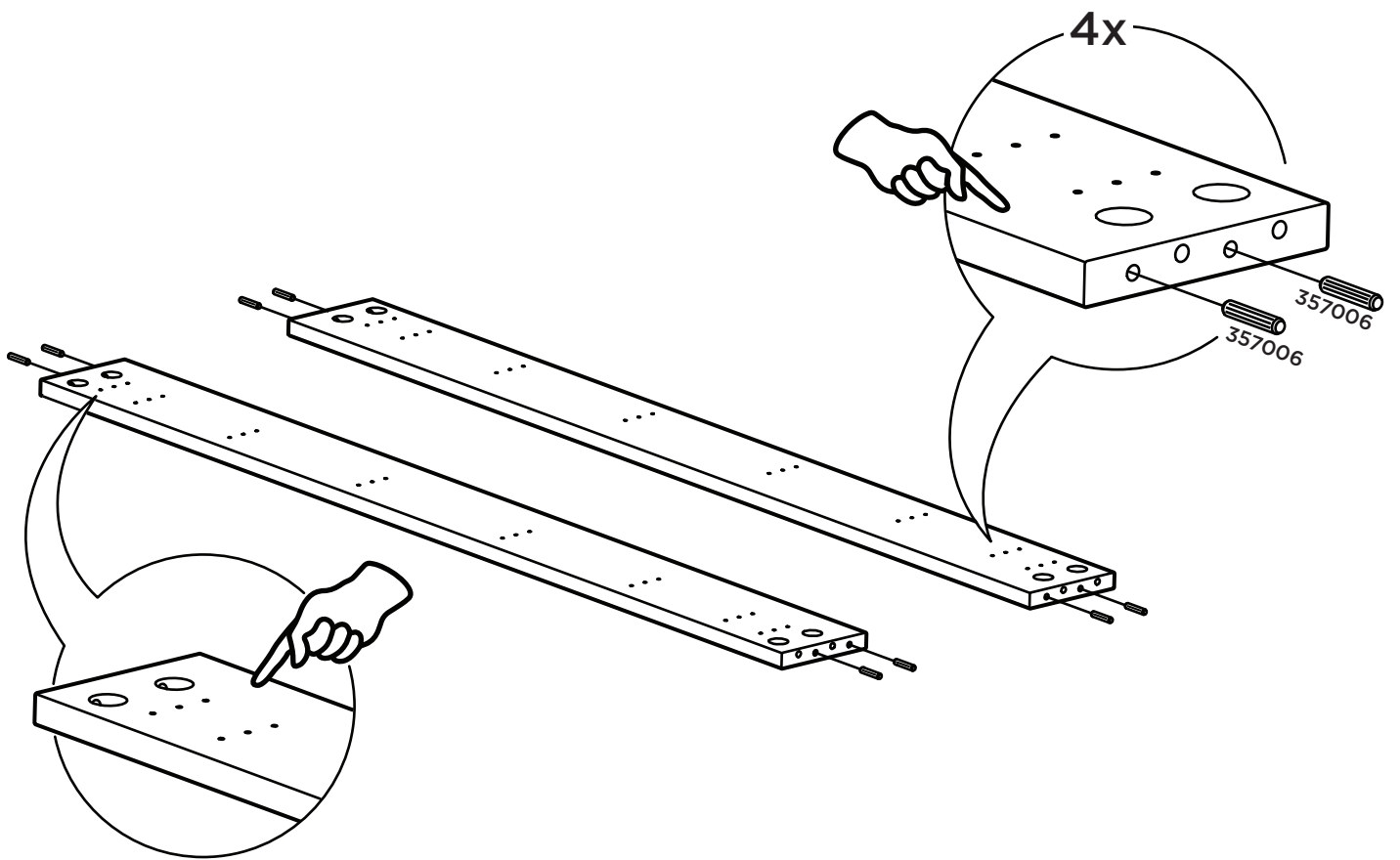


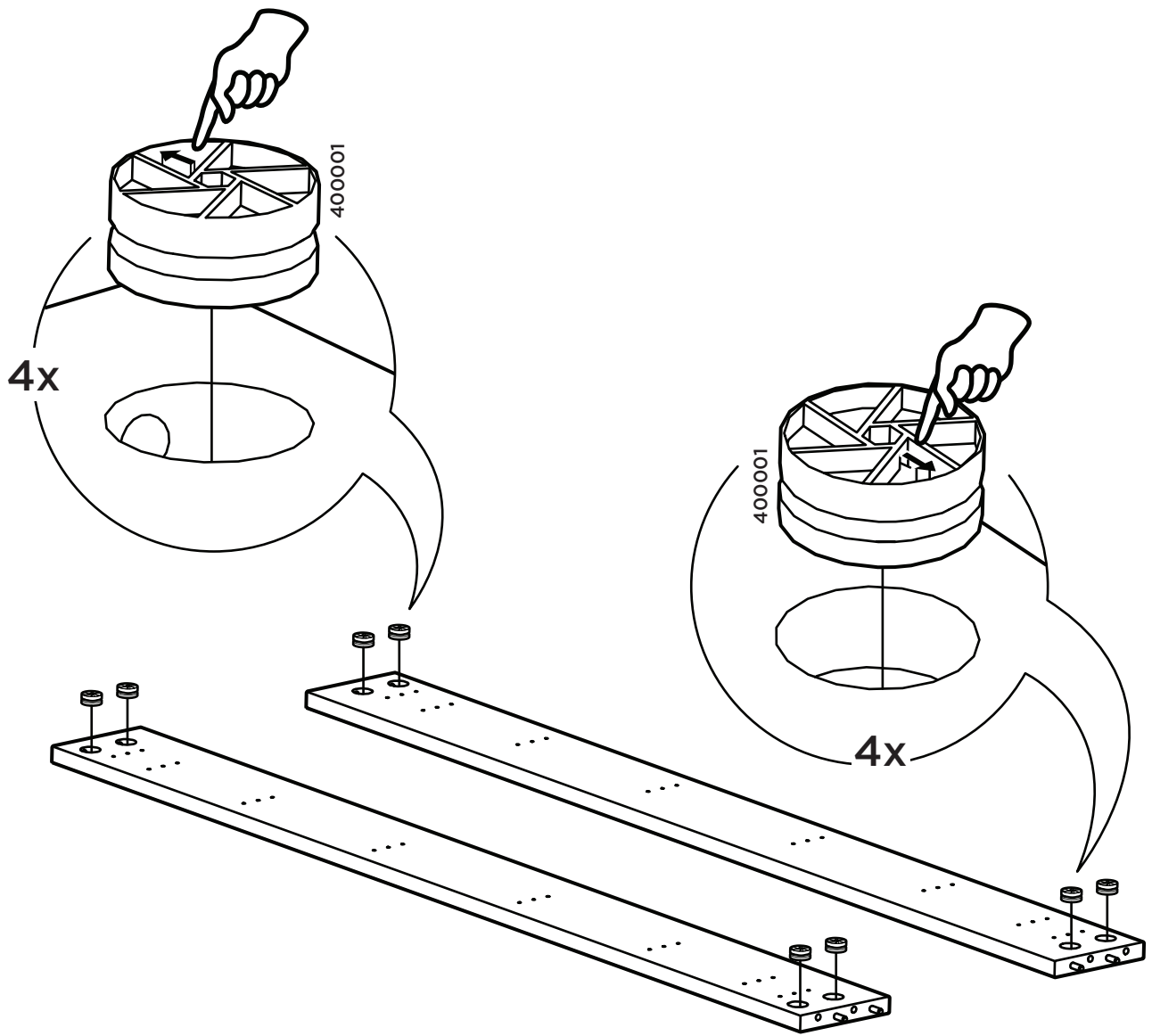
1x



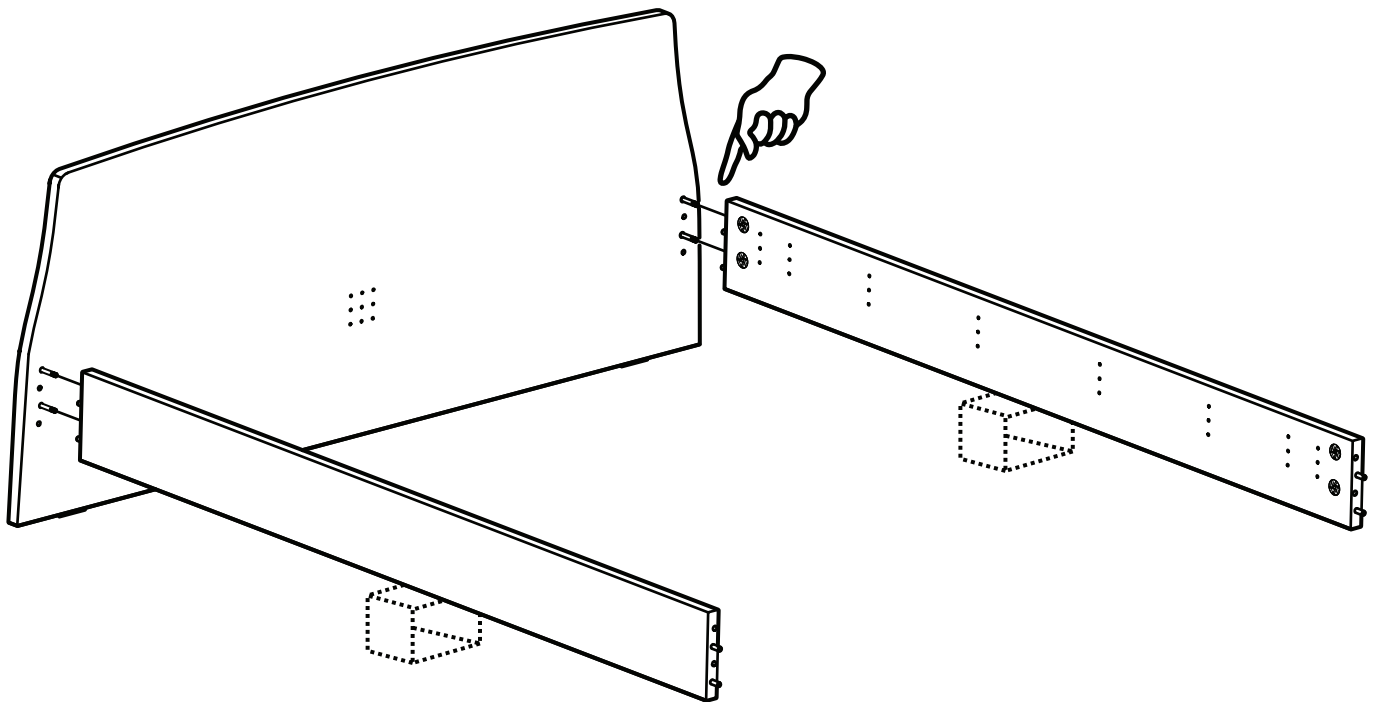
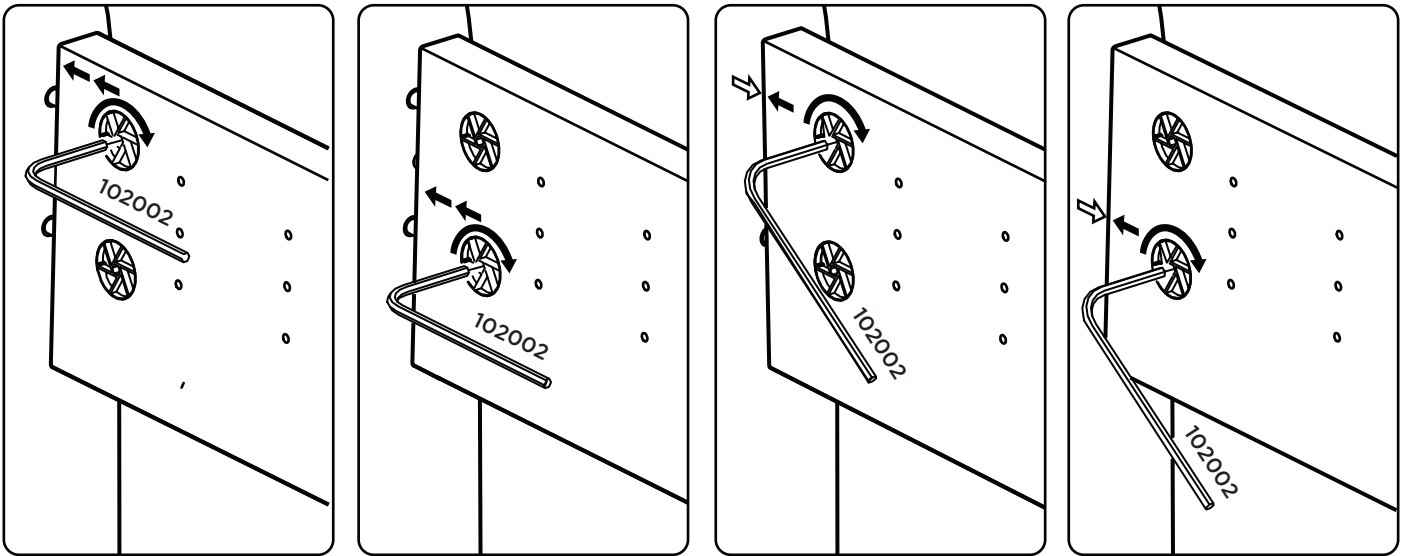


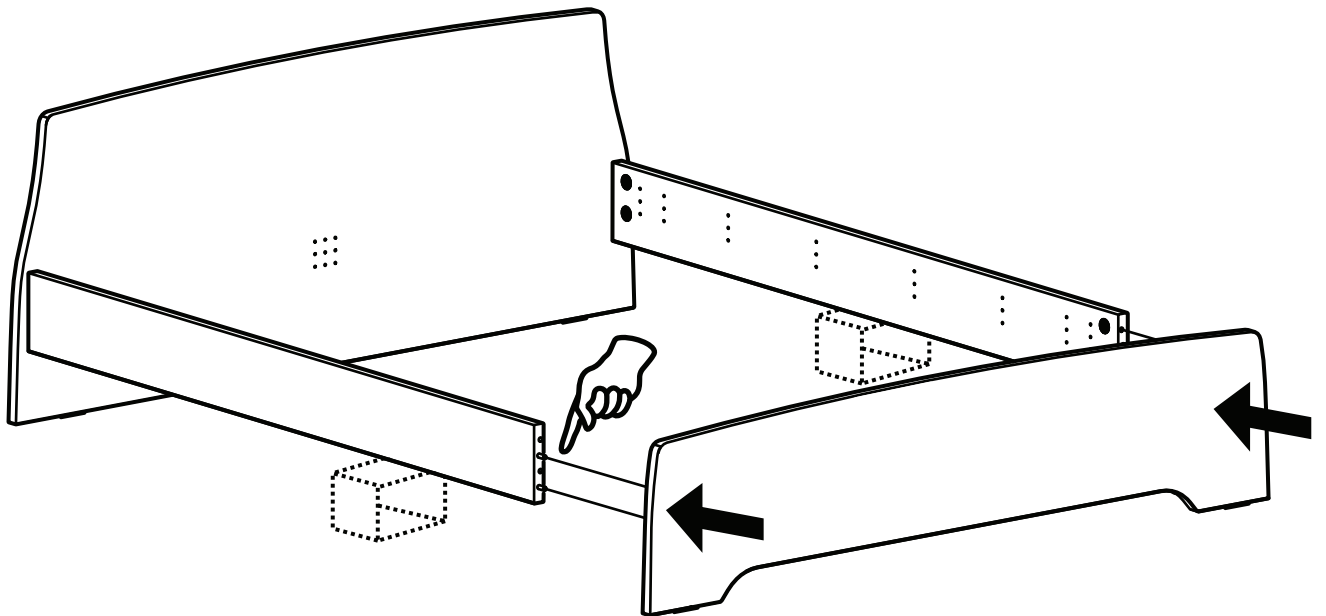
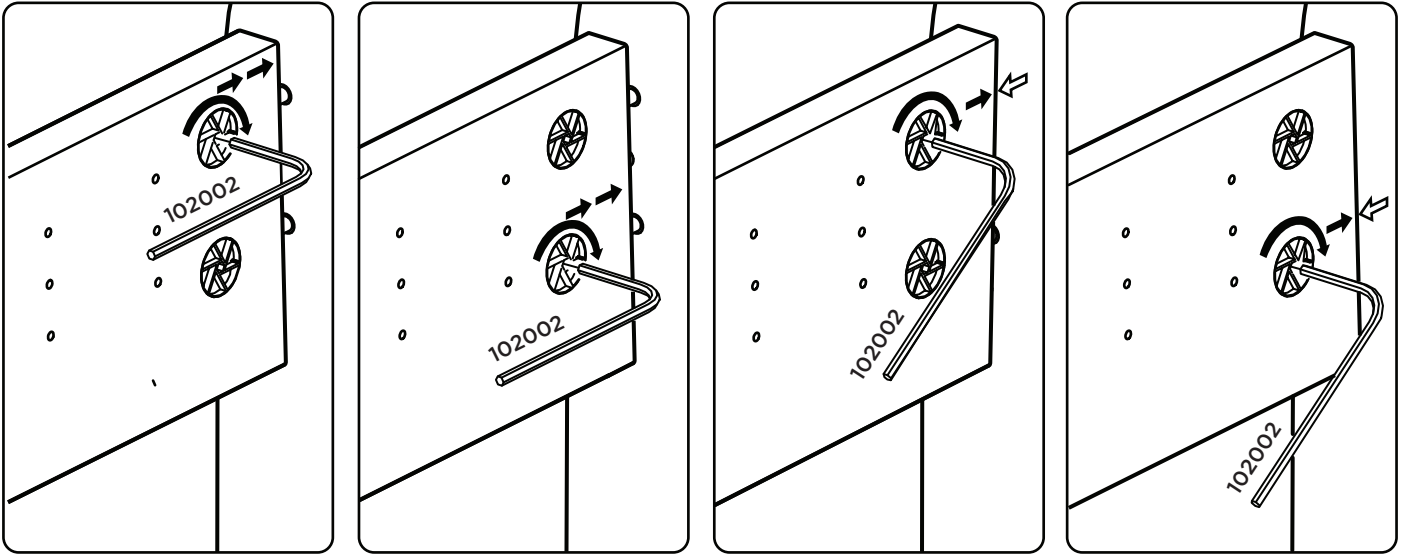




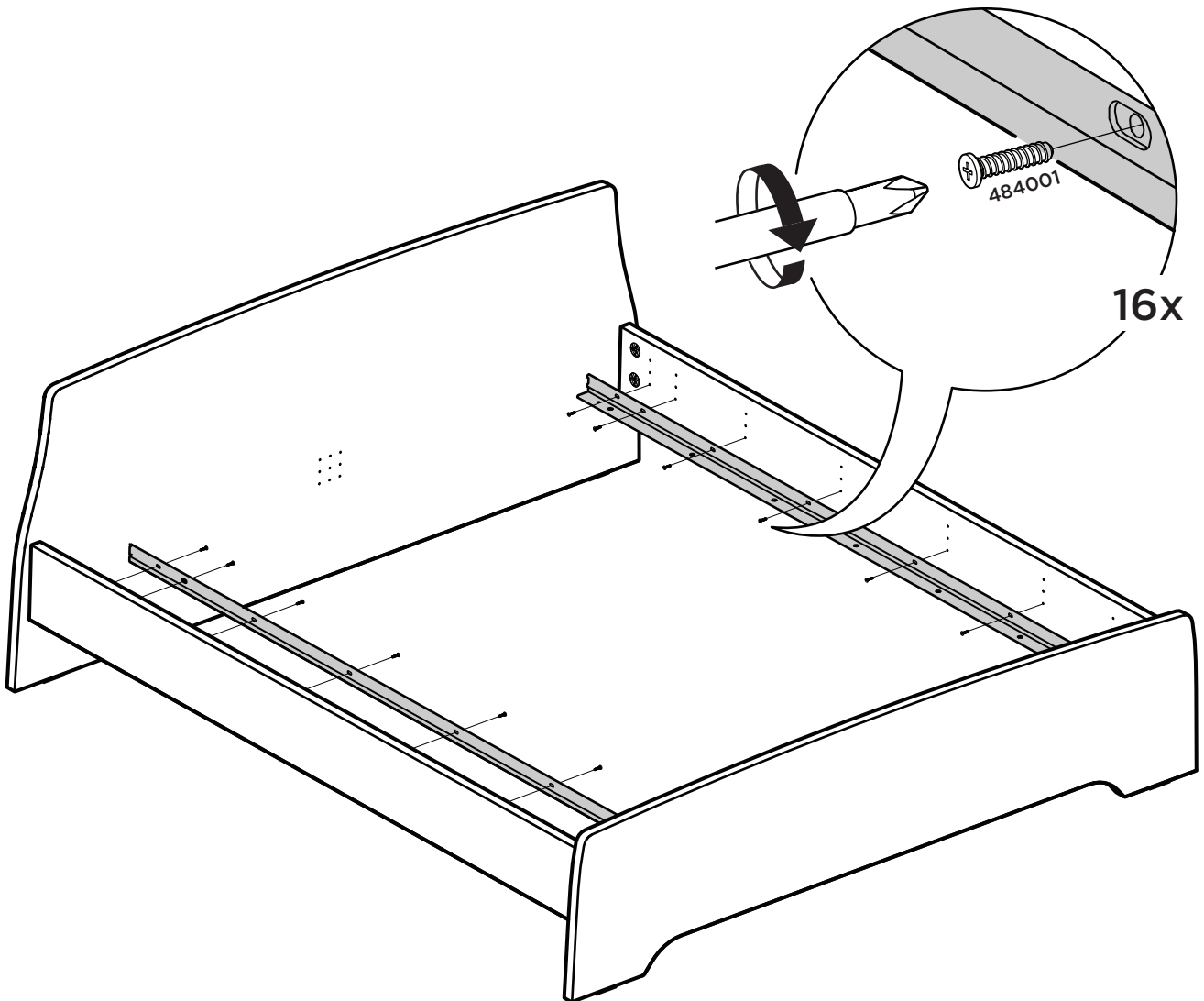
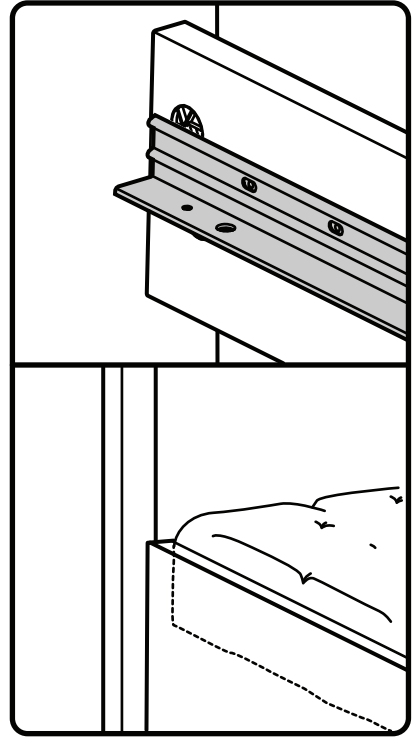
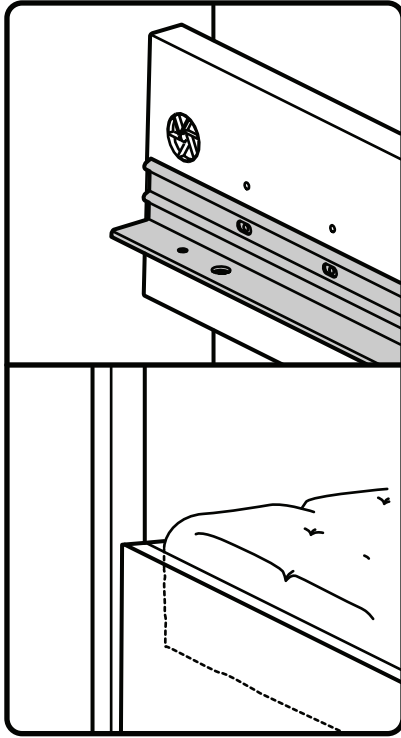
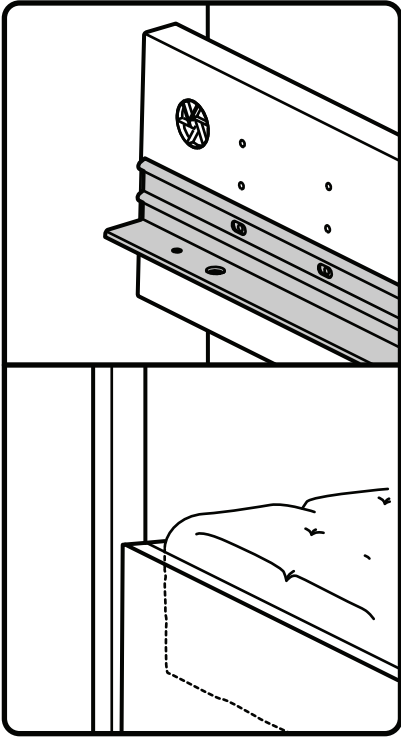




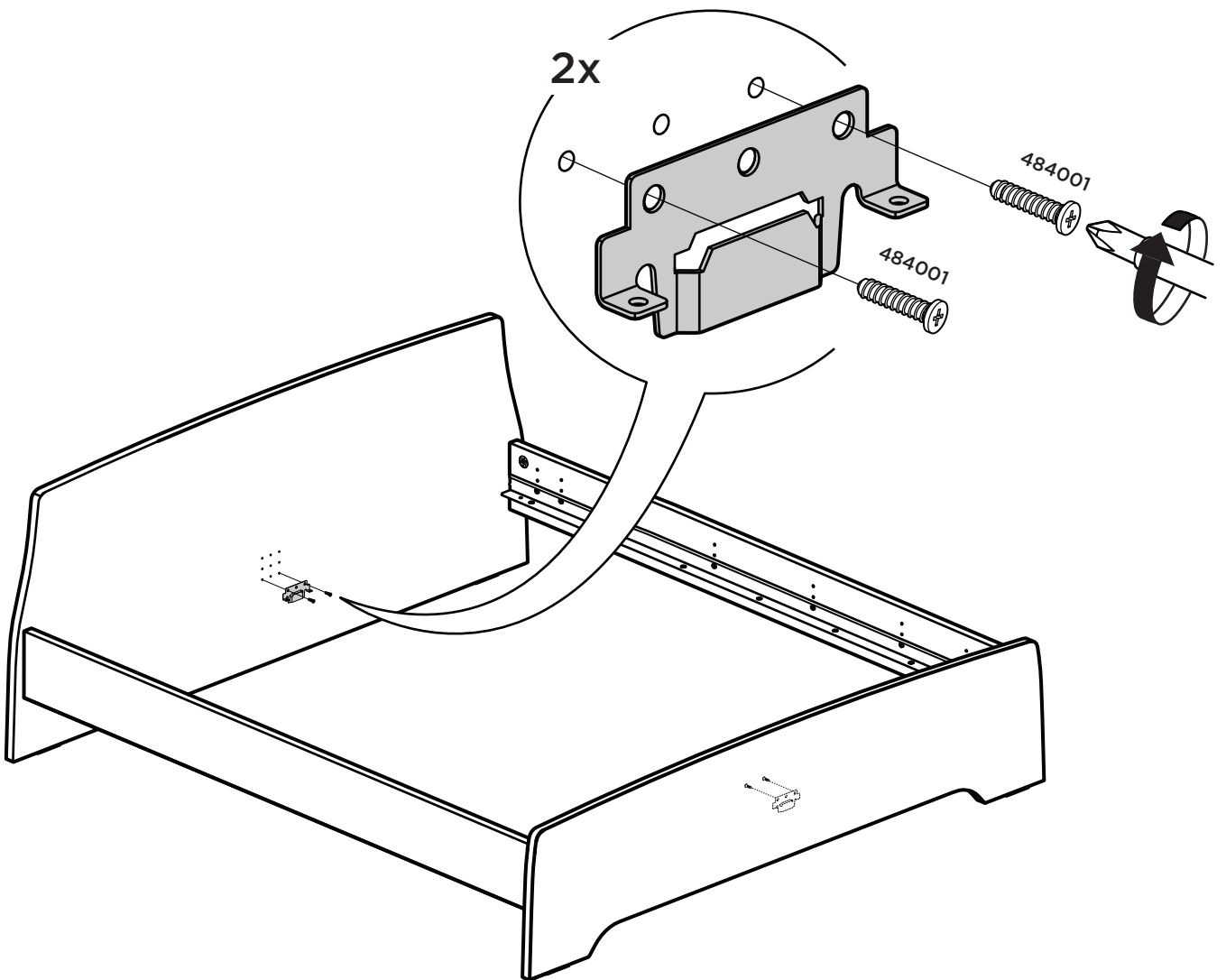
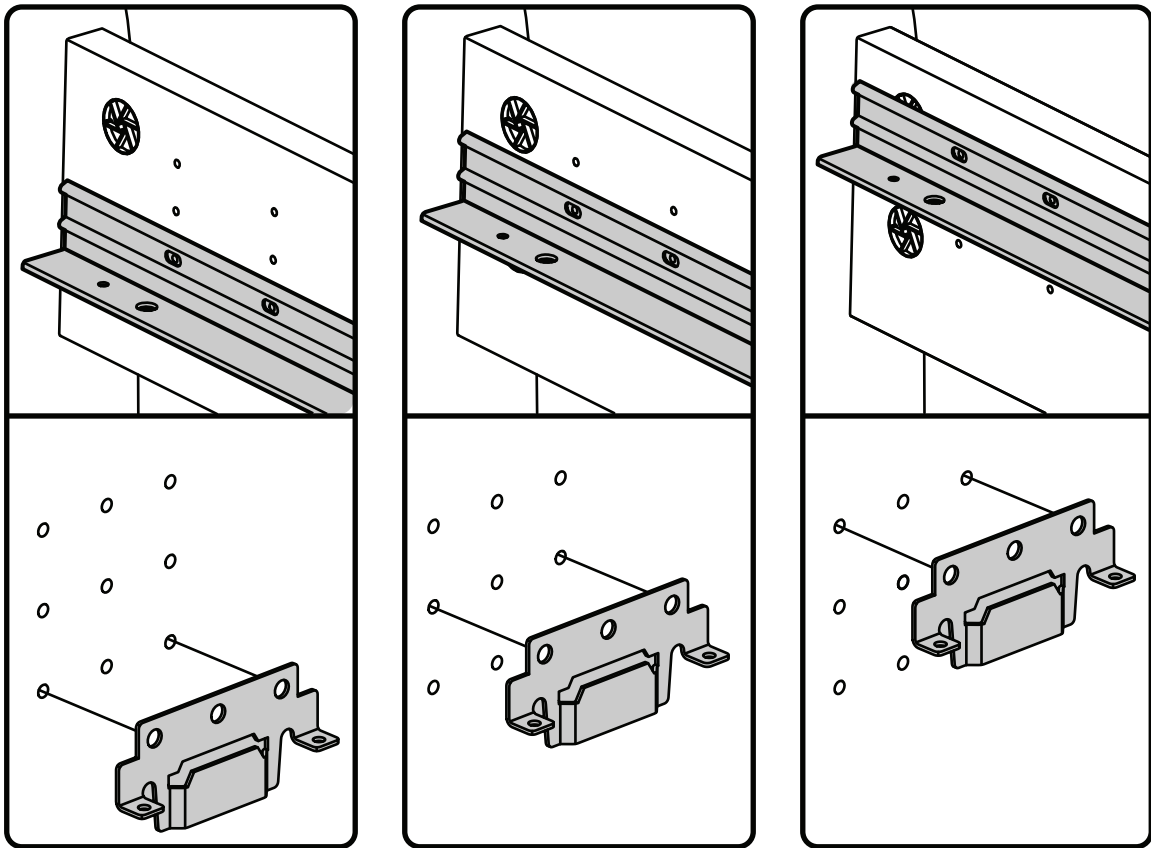


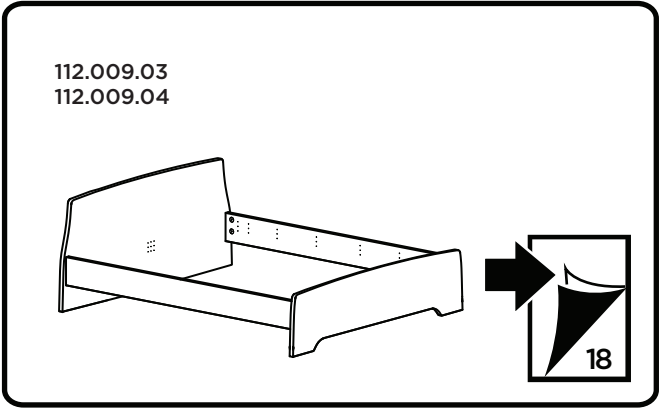
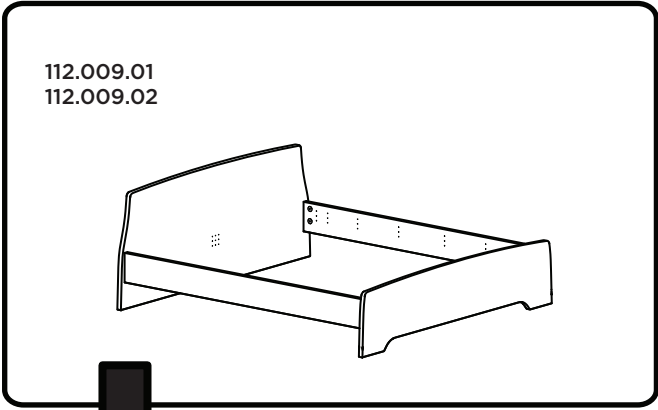


6

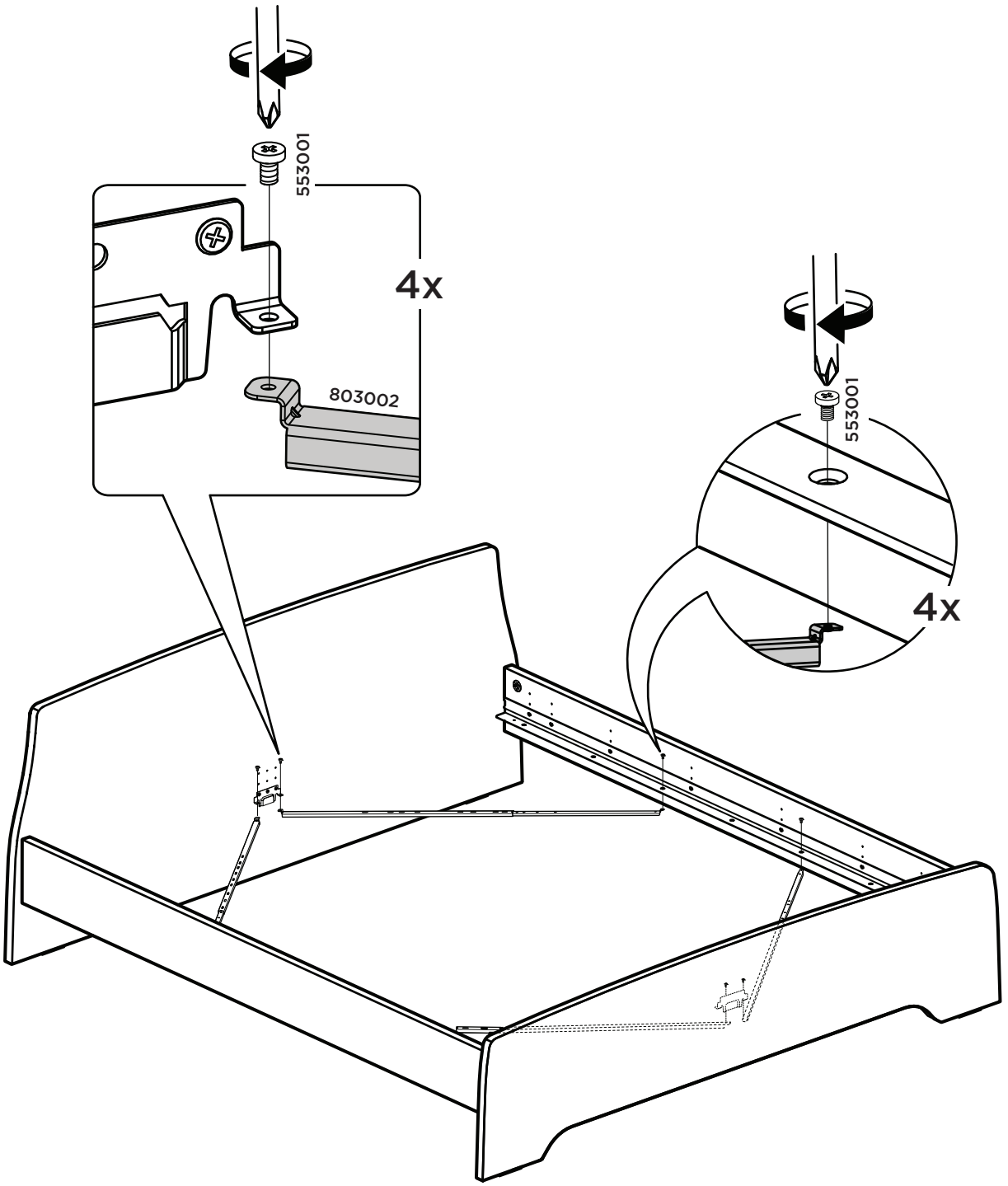


7

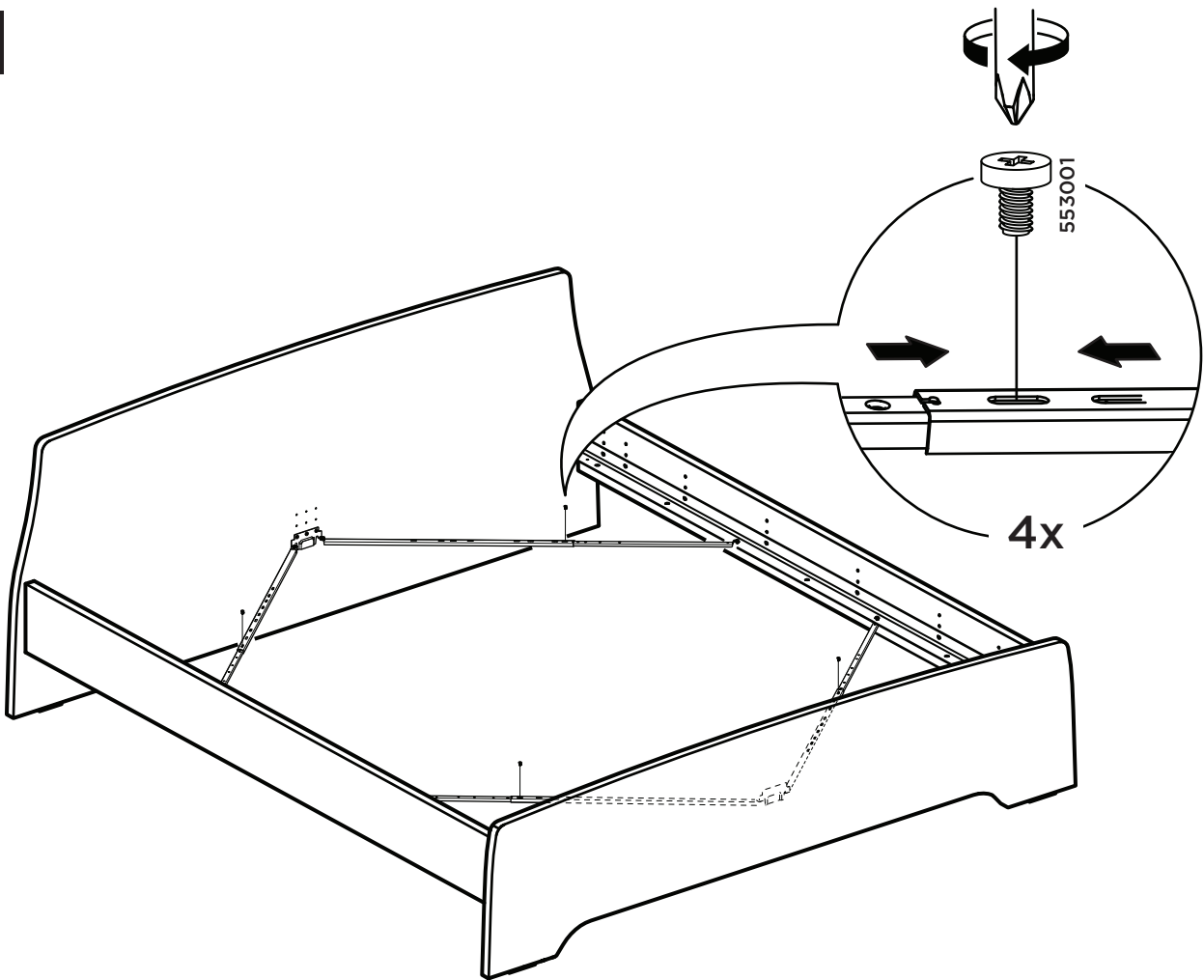




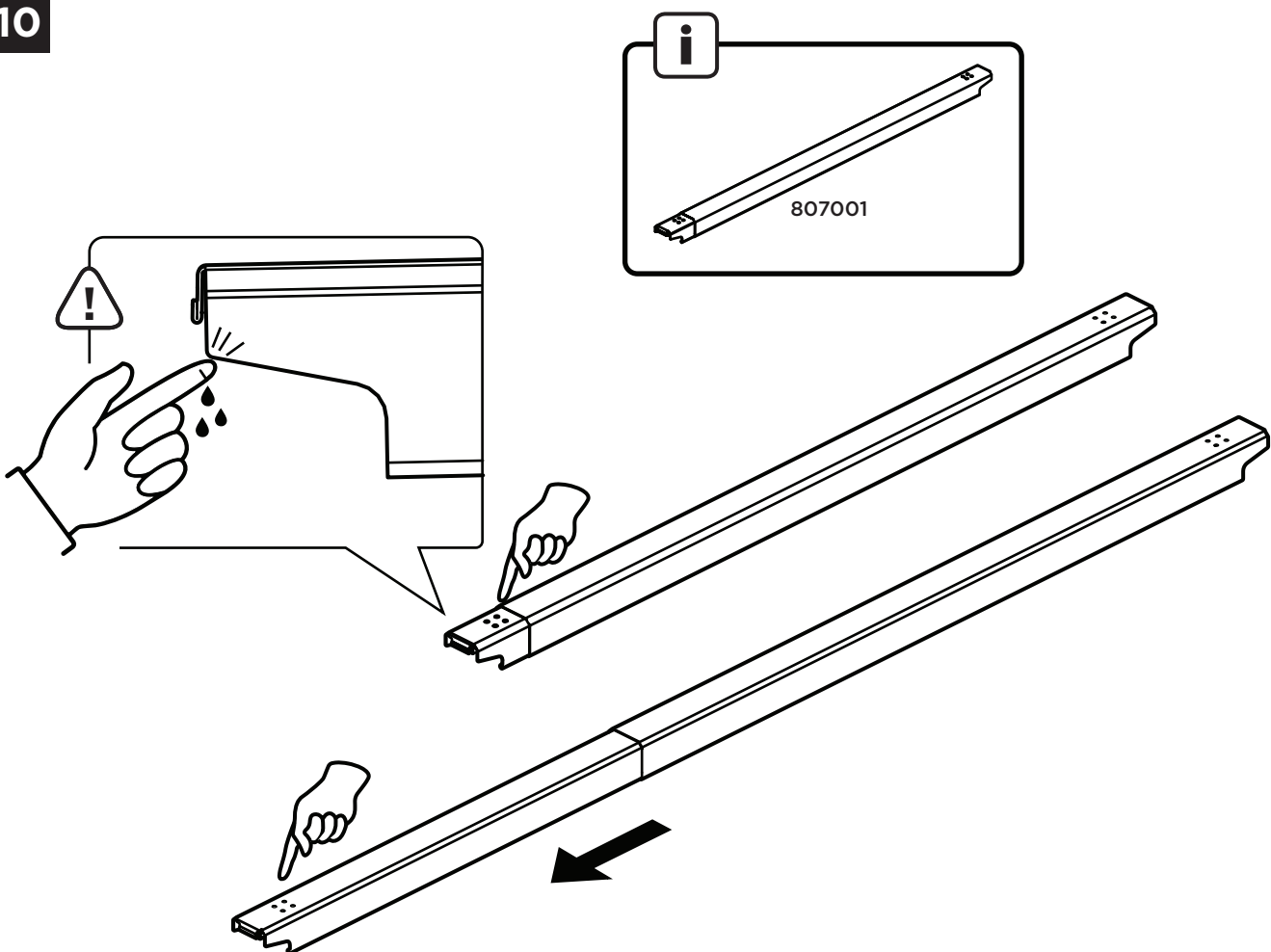
8

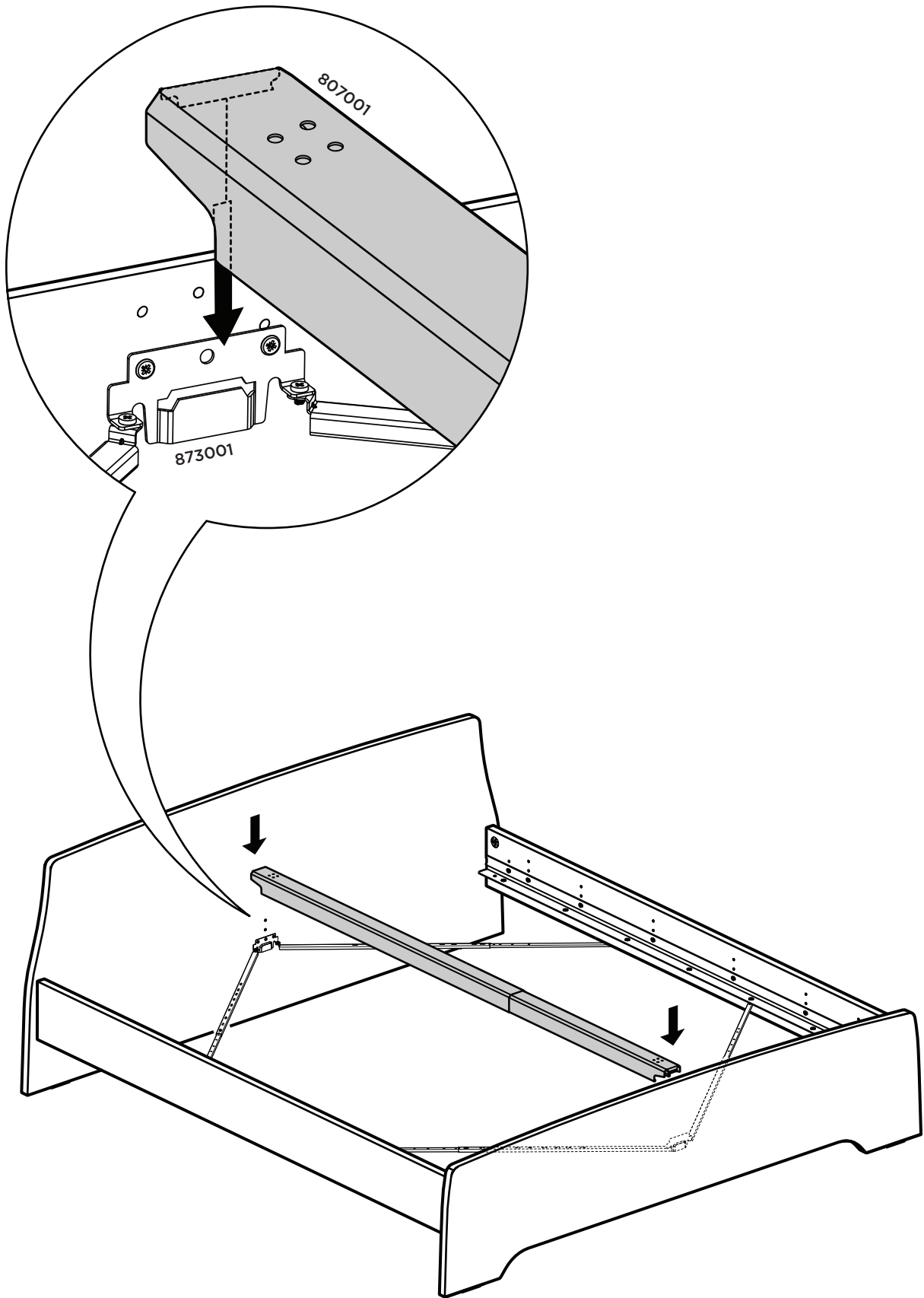


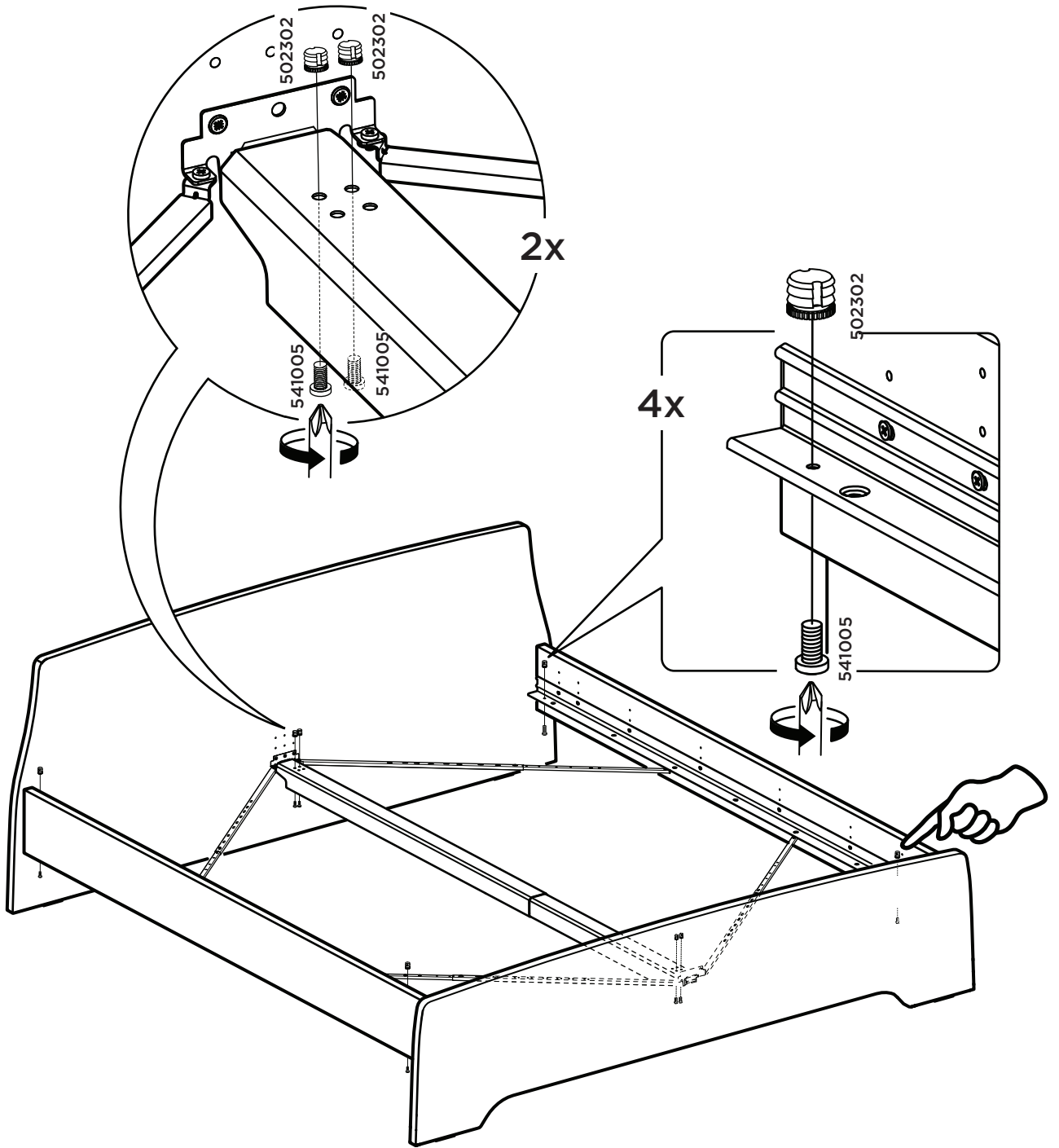
9



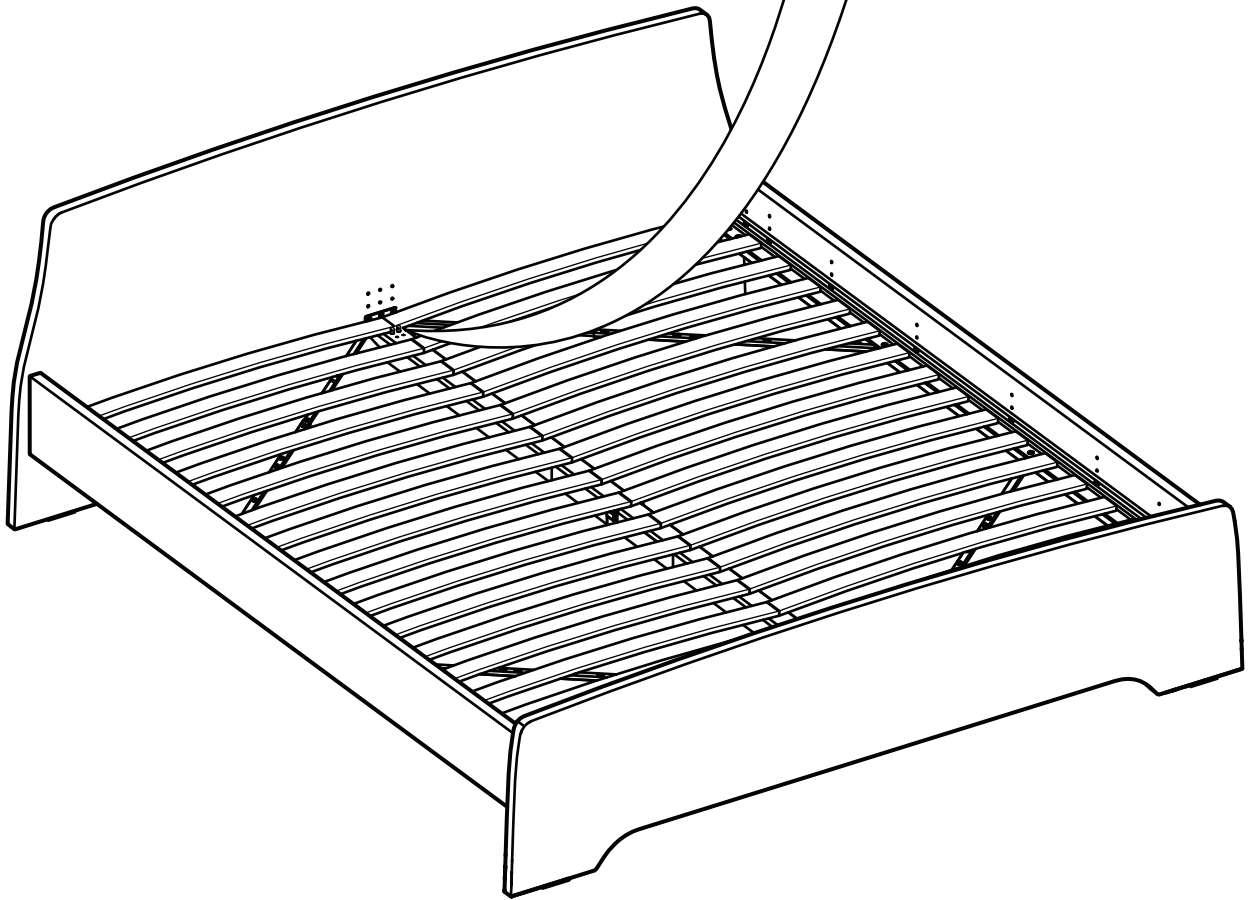
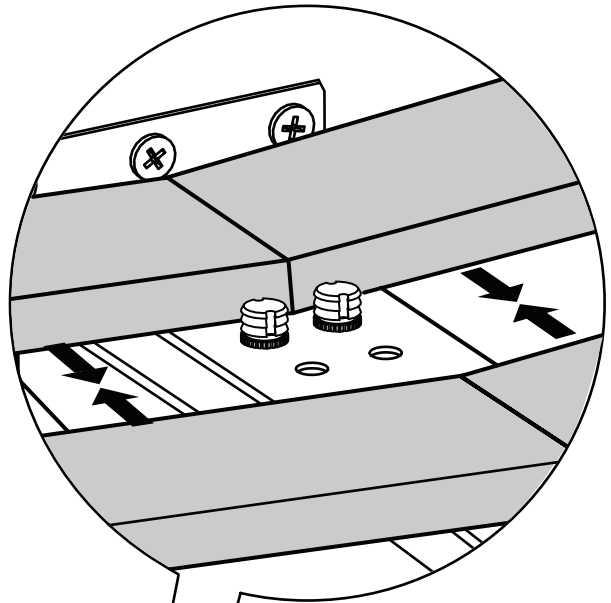
10

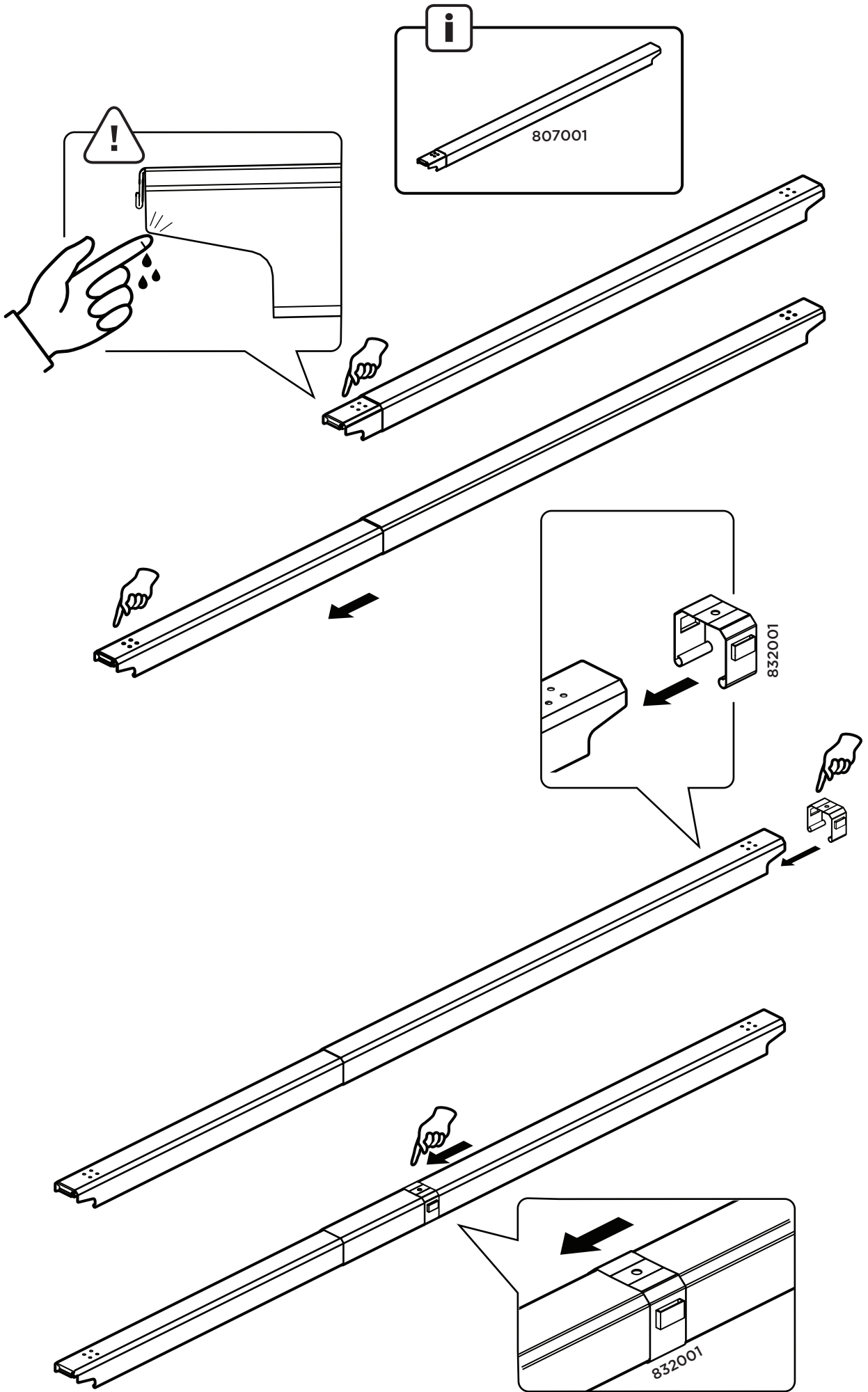


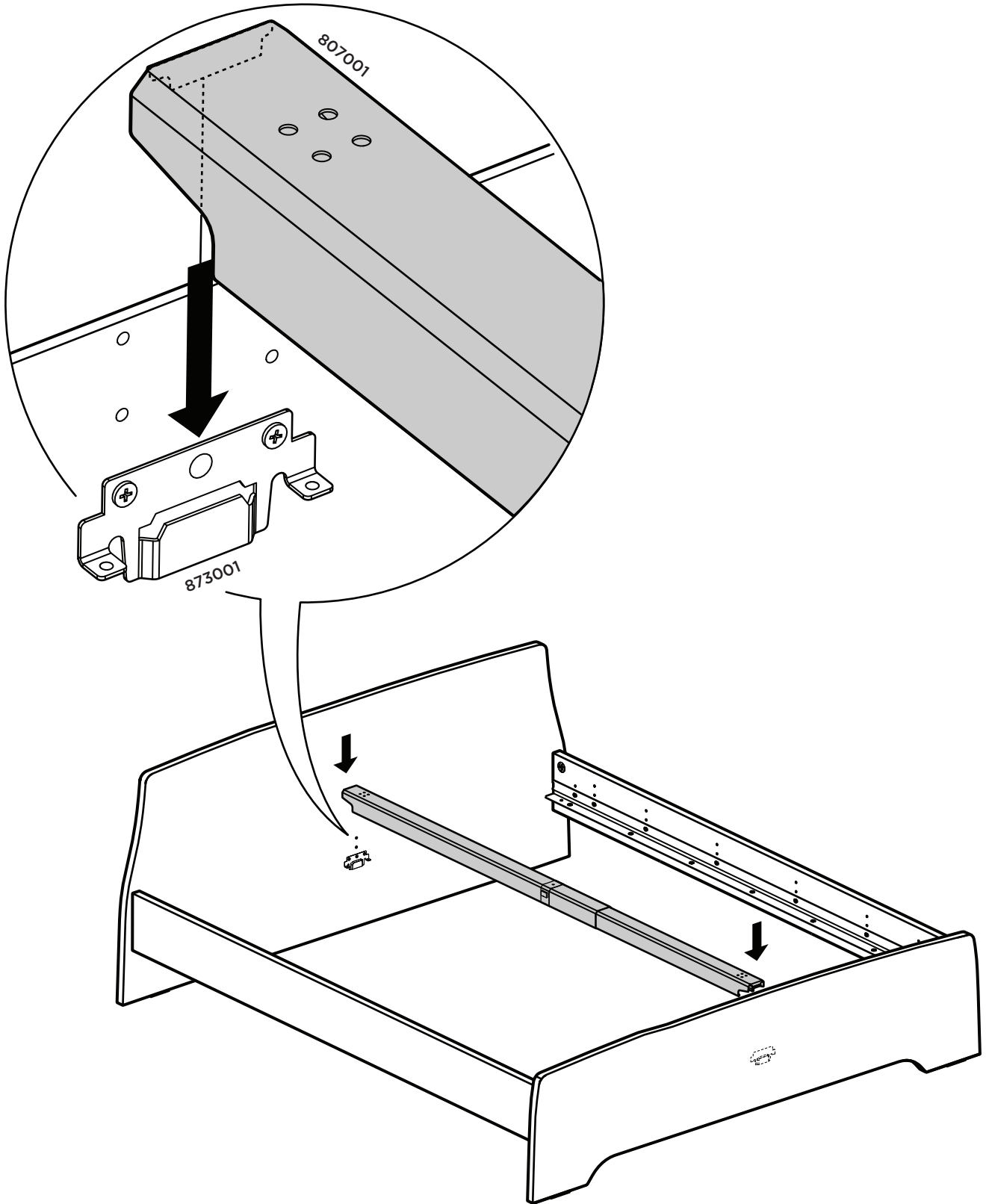


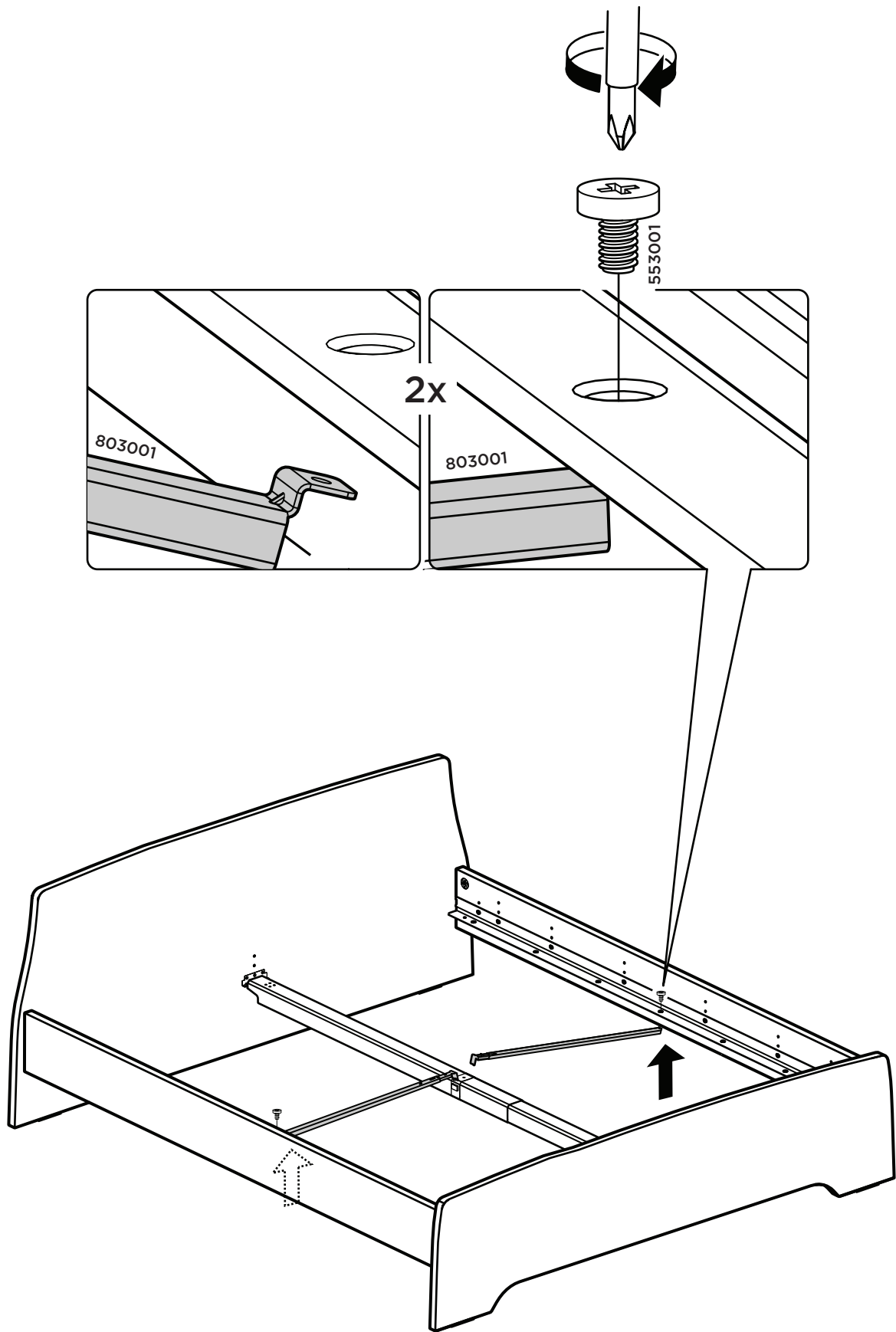


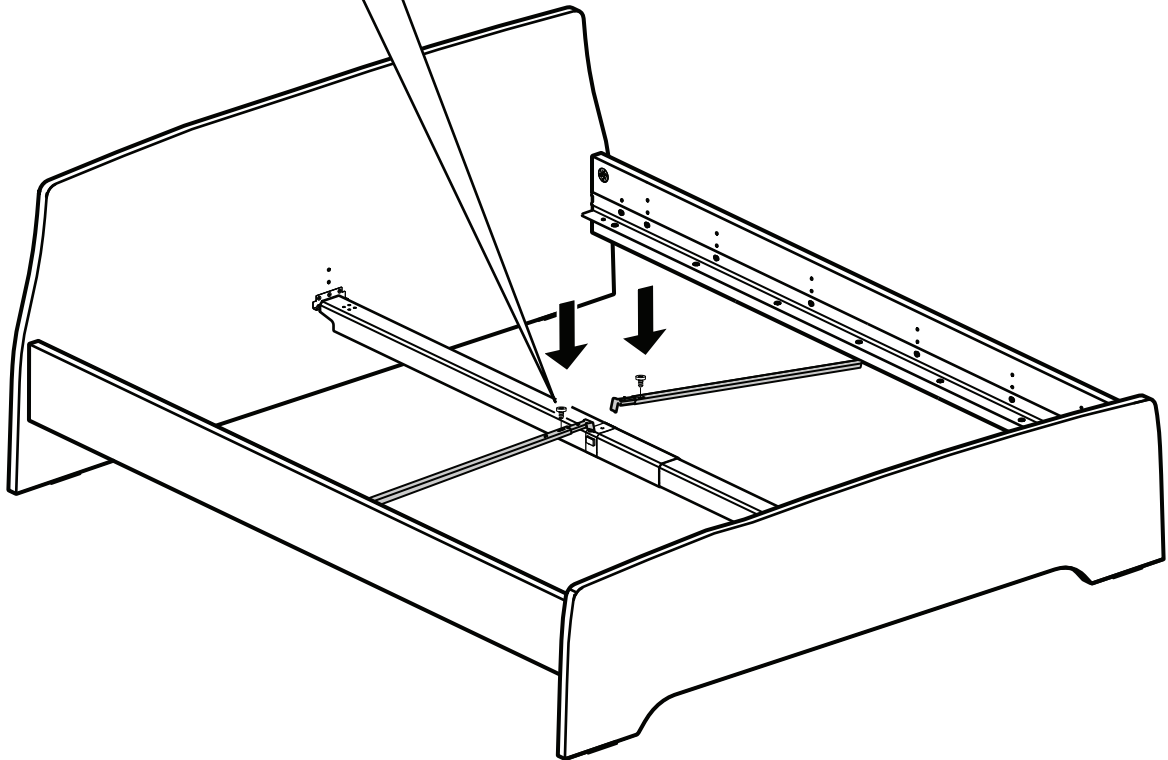
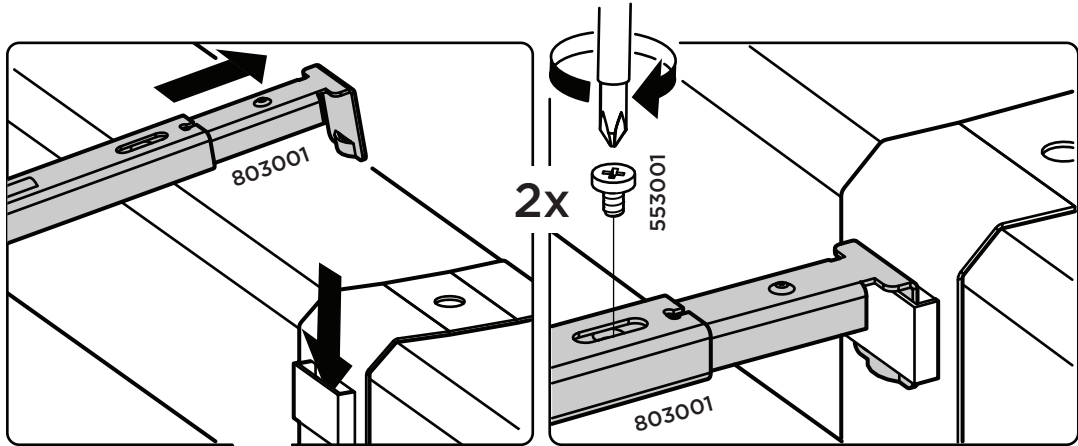
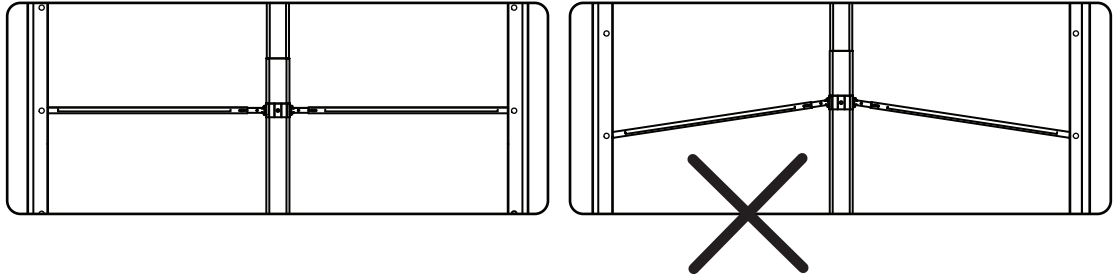


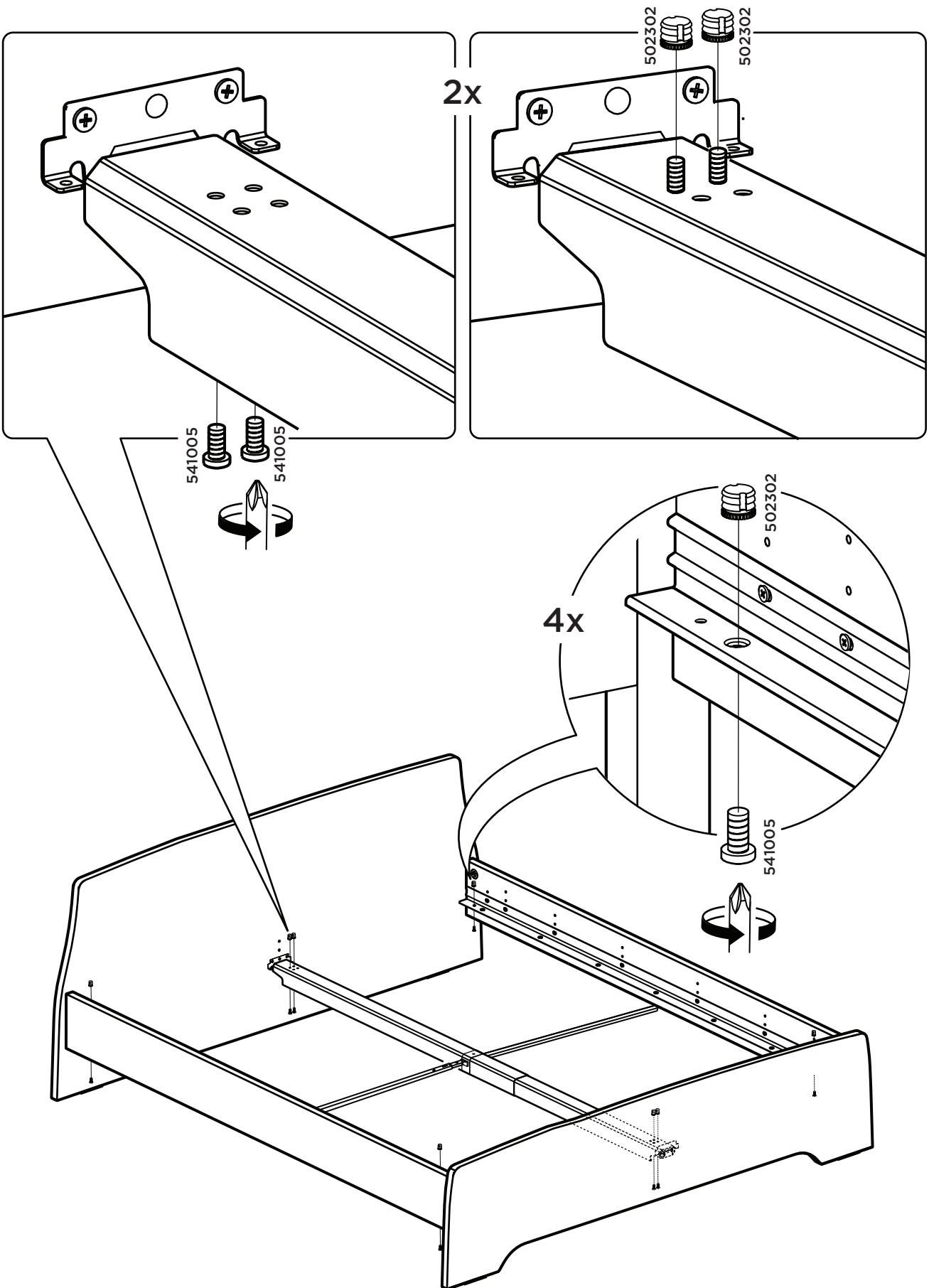


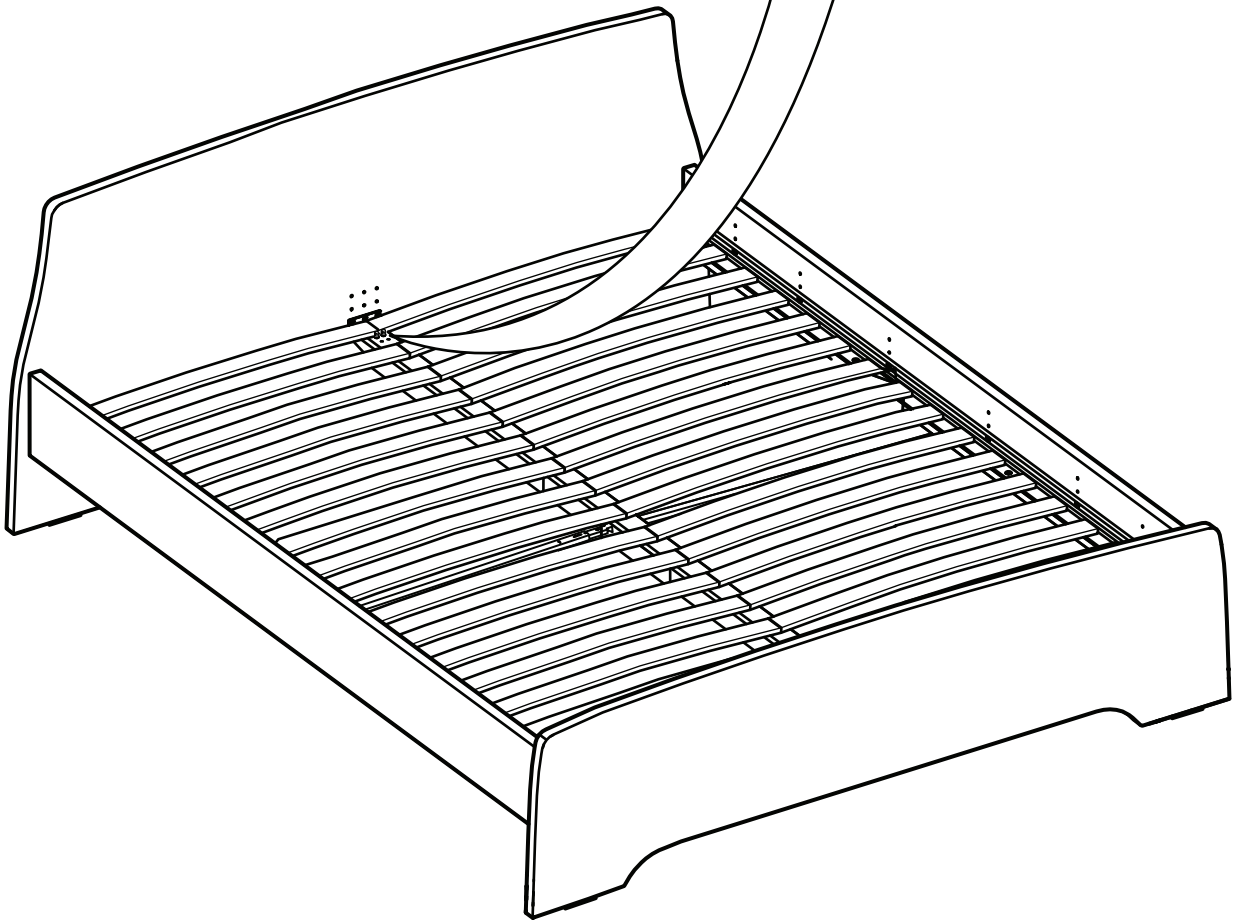
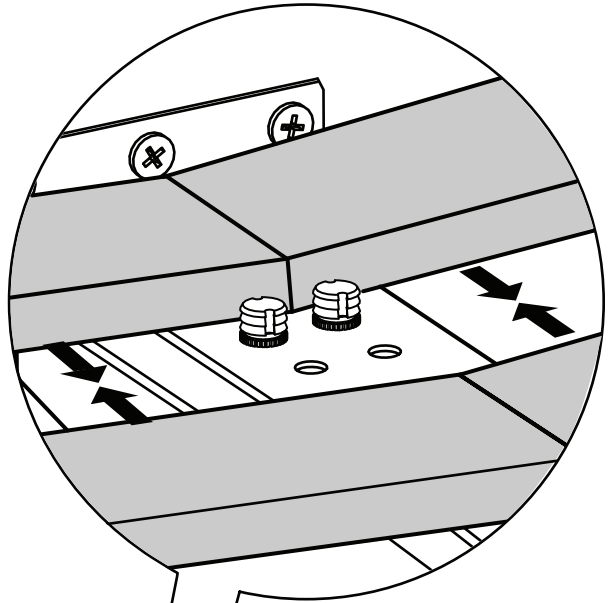
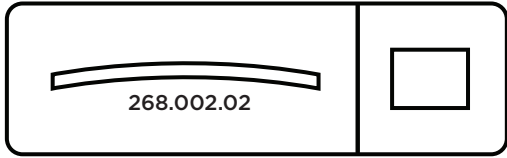












**metercube**