

needre

112.012.01

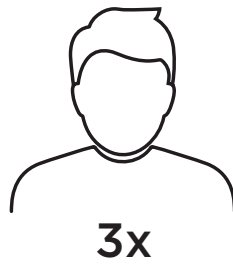
112.012.02

112.012.03

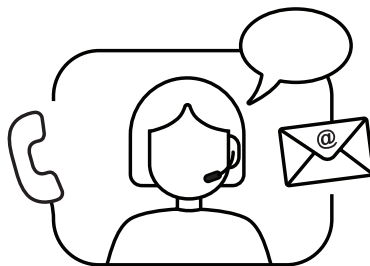
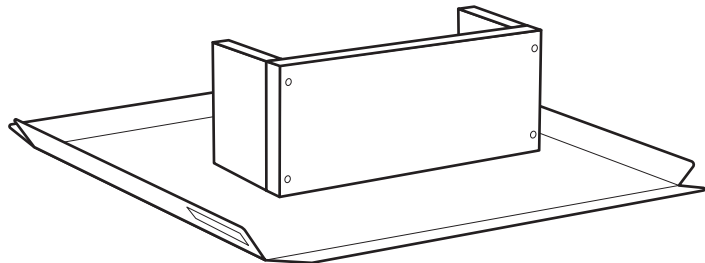
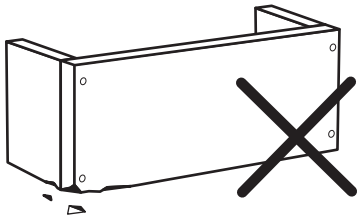
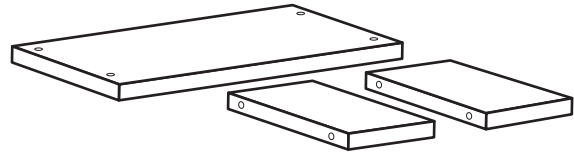
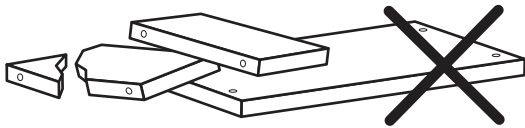
112.012.04

112.012.05

112.012.06

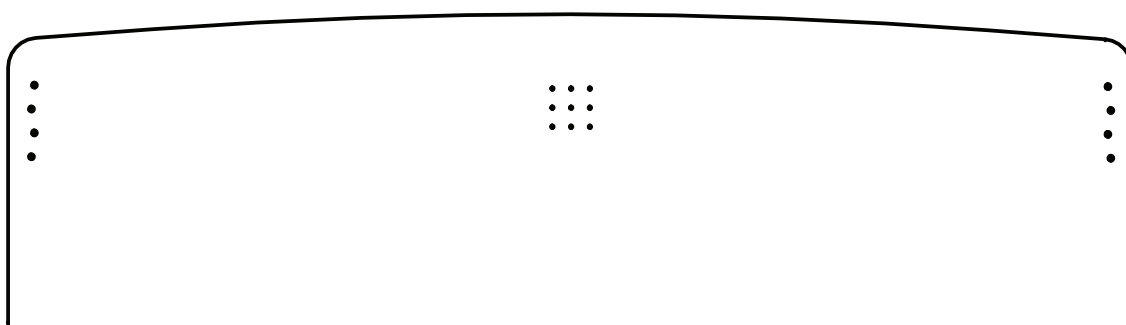


3x

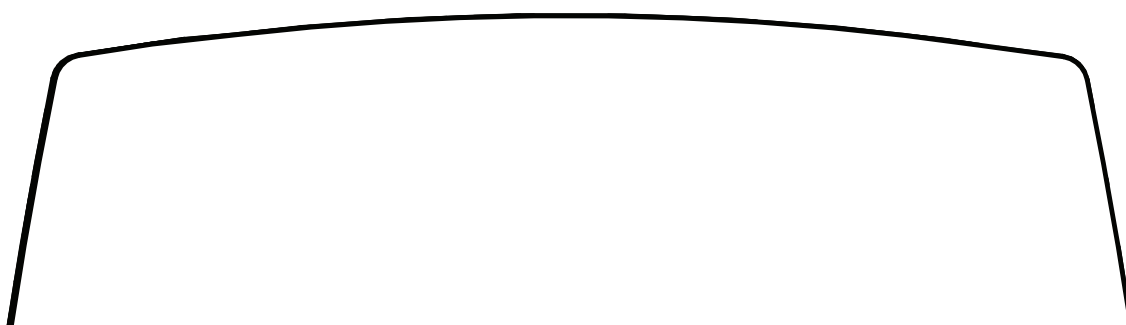




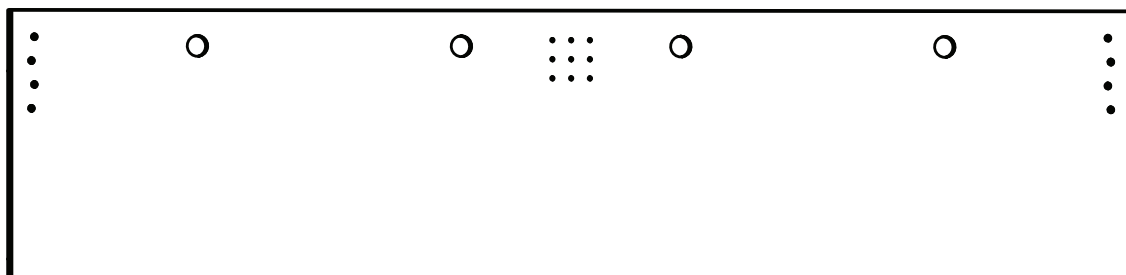
2x



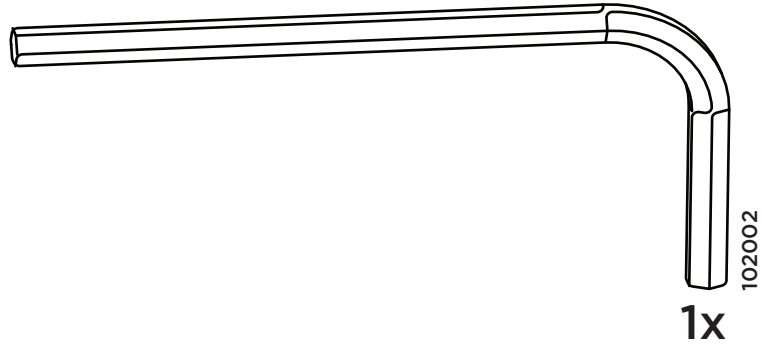
1x



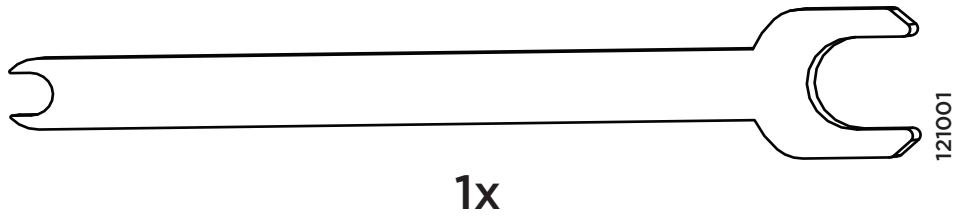
1x



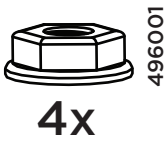
1x



1x



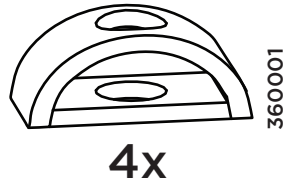
1x



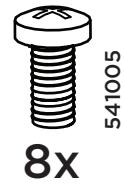
4x



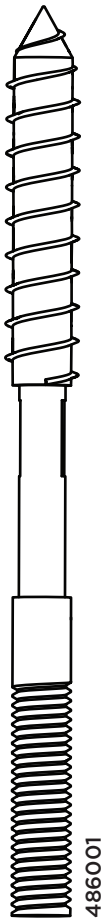
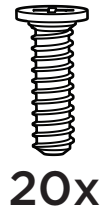
8x



4x



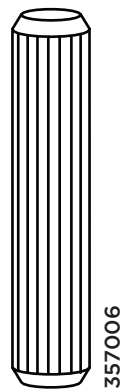
8x



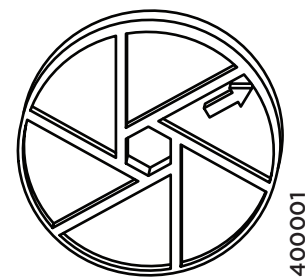
4x



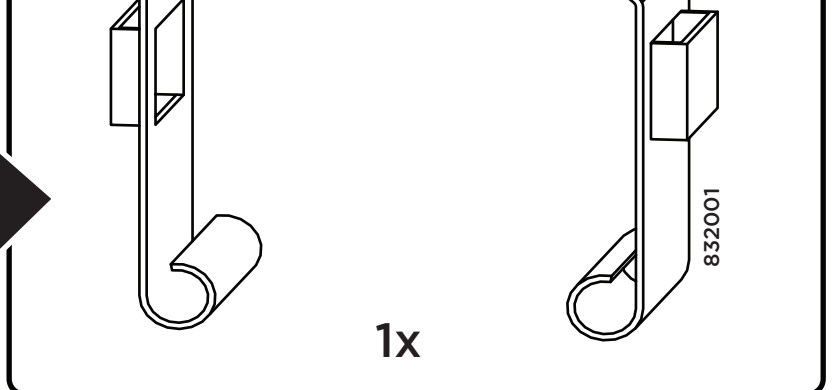
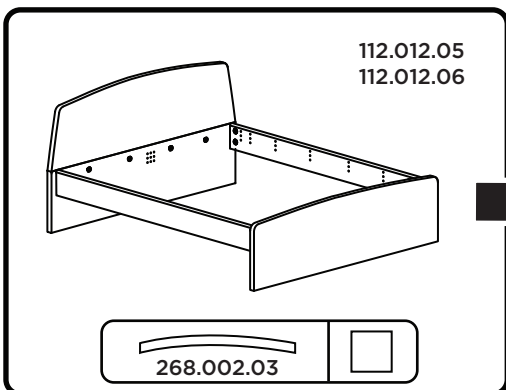
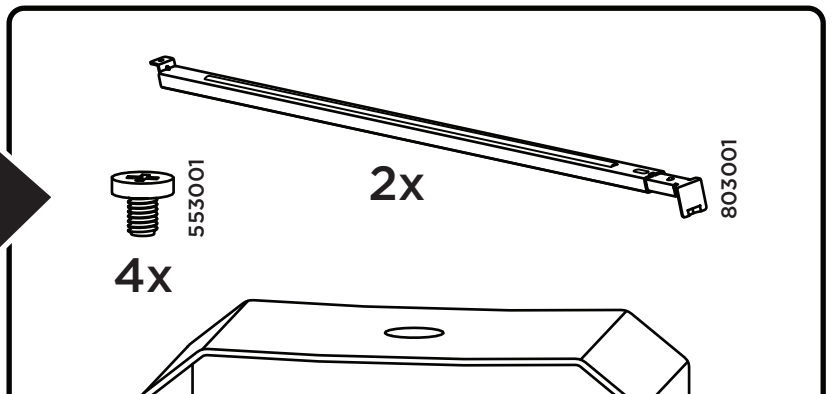
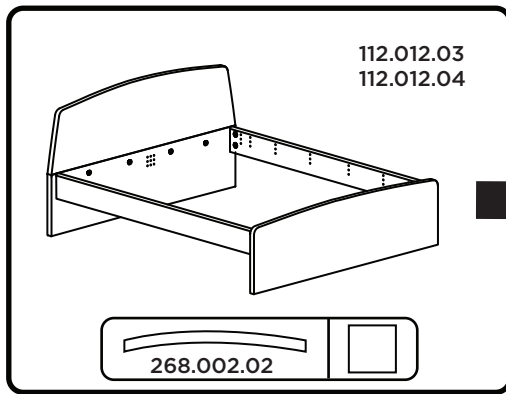
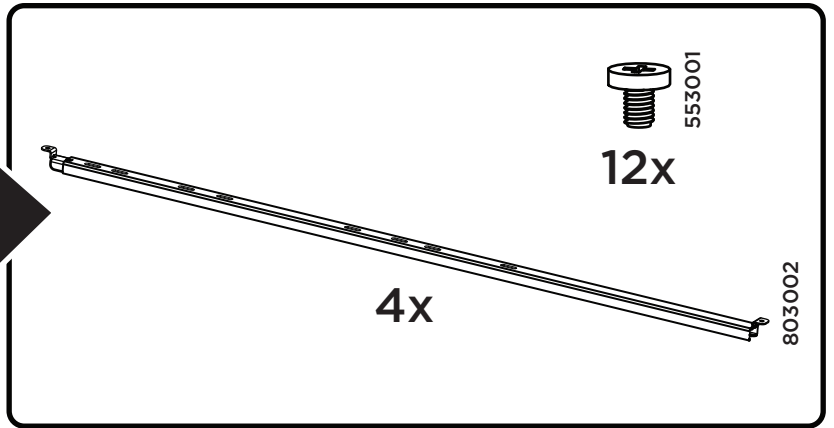
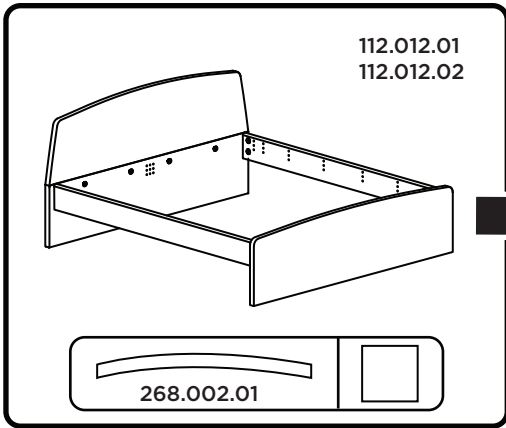
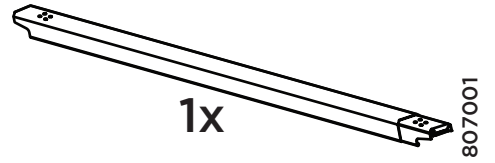
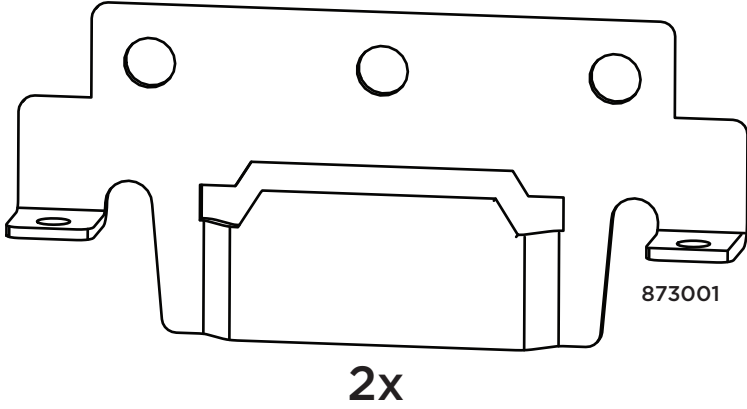
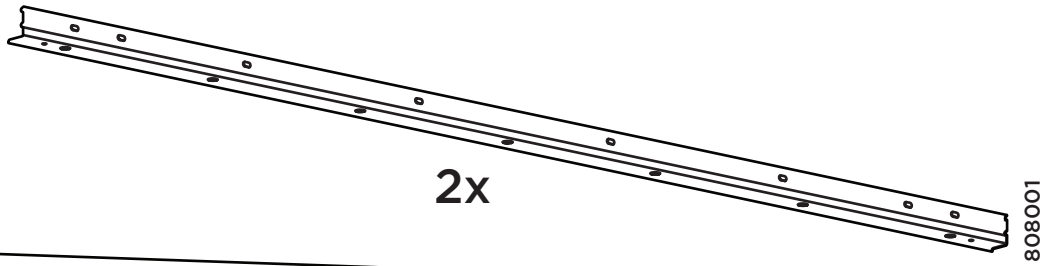
8x

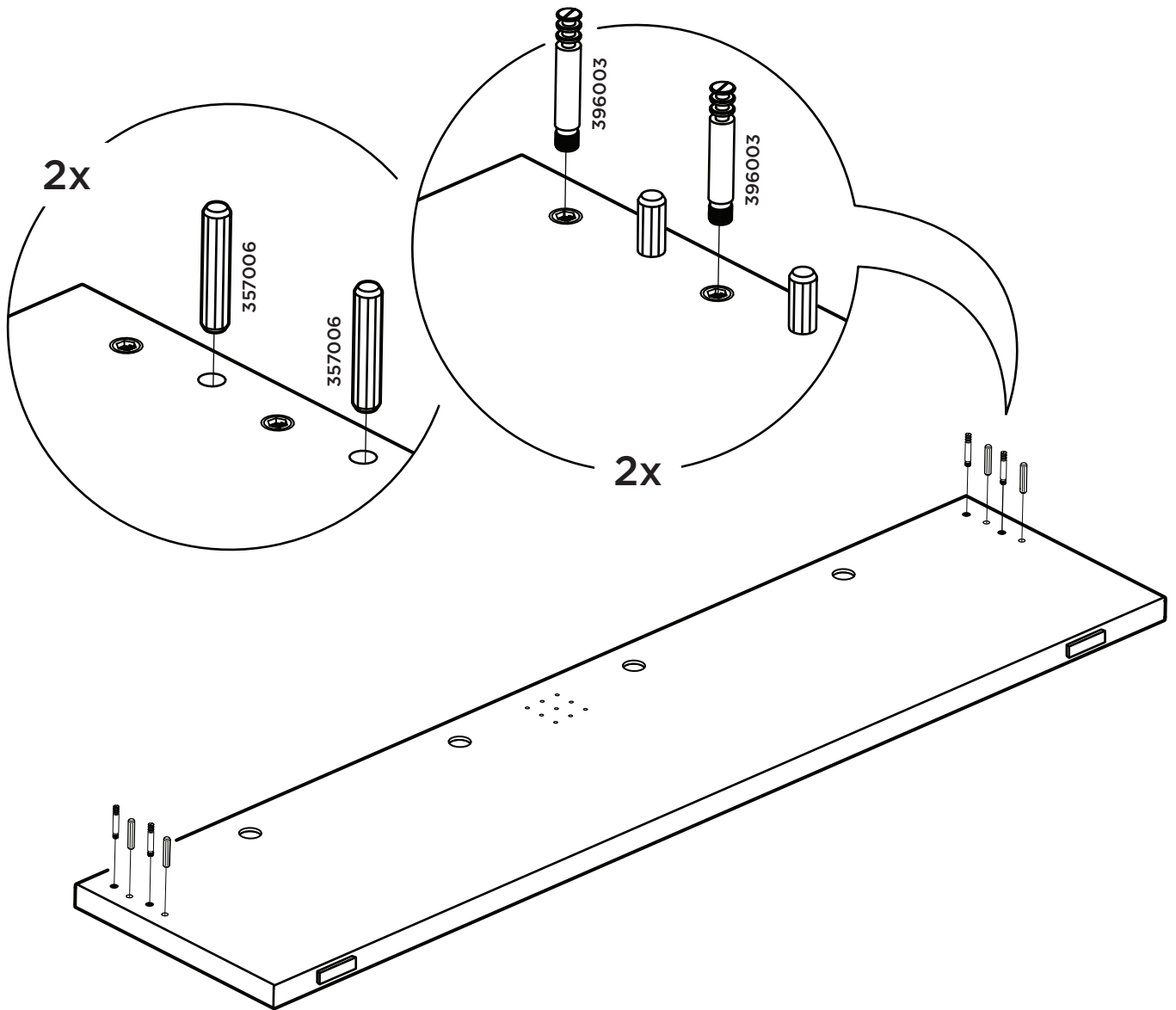


13x

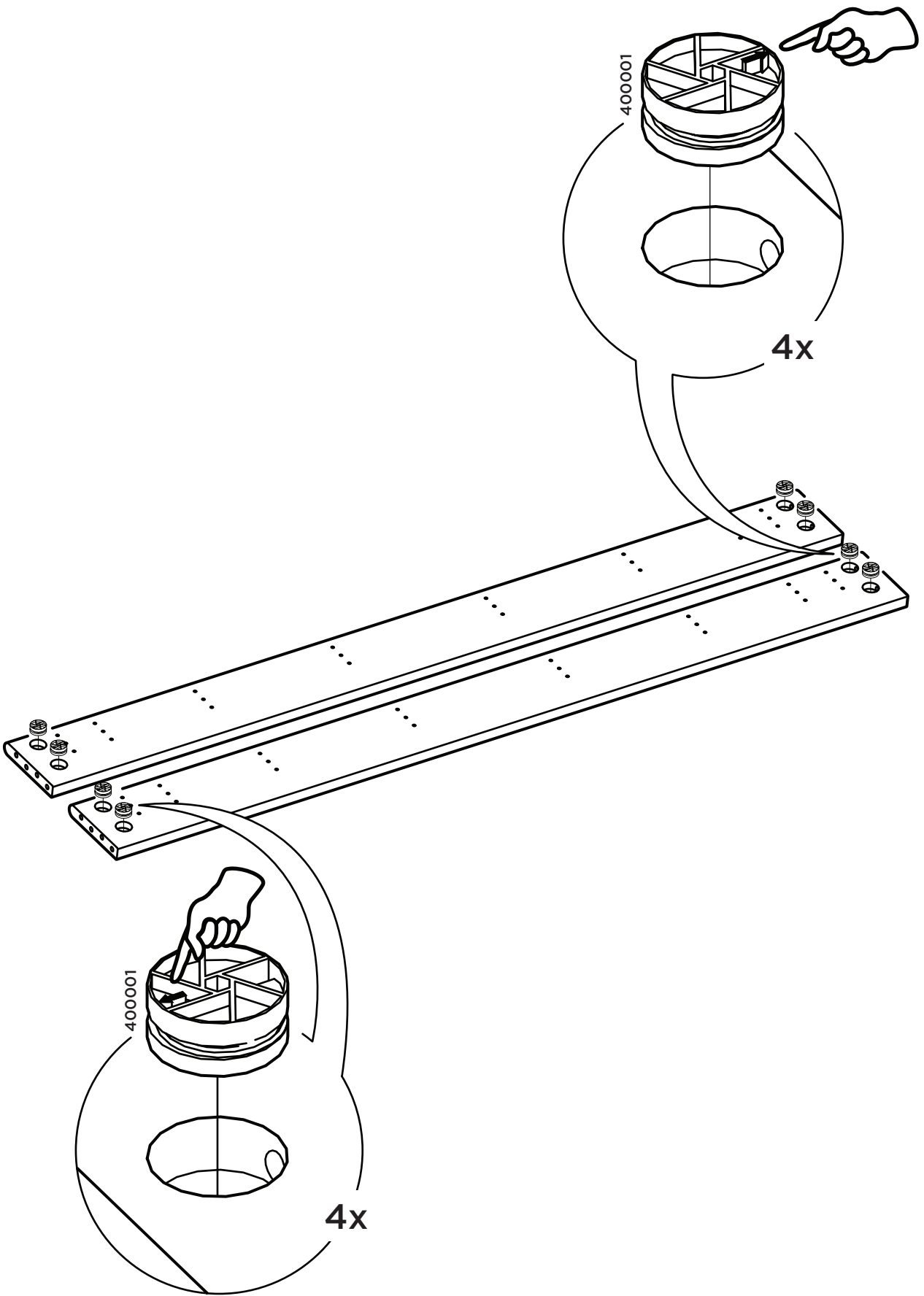


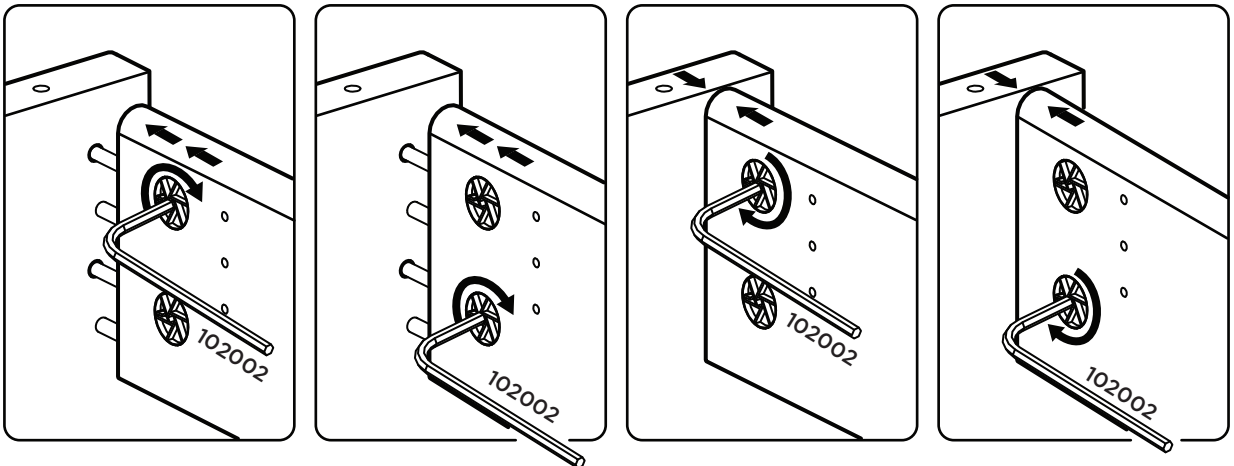
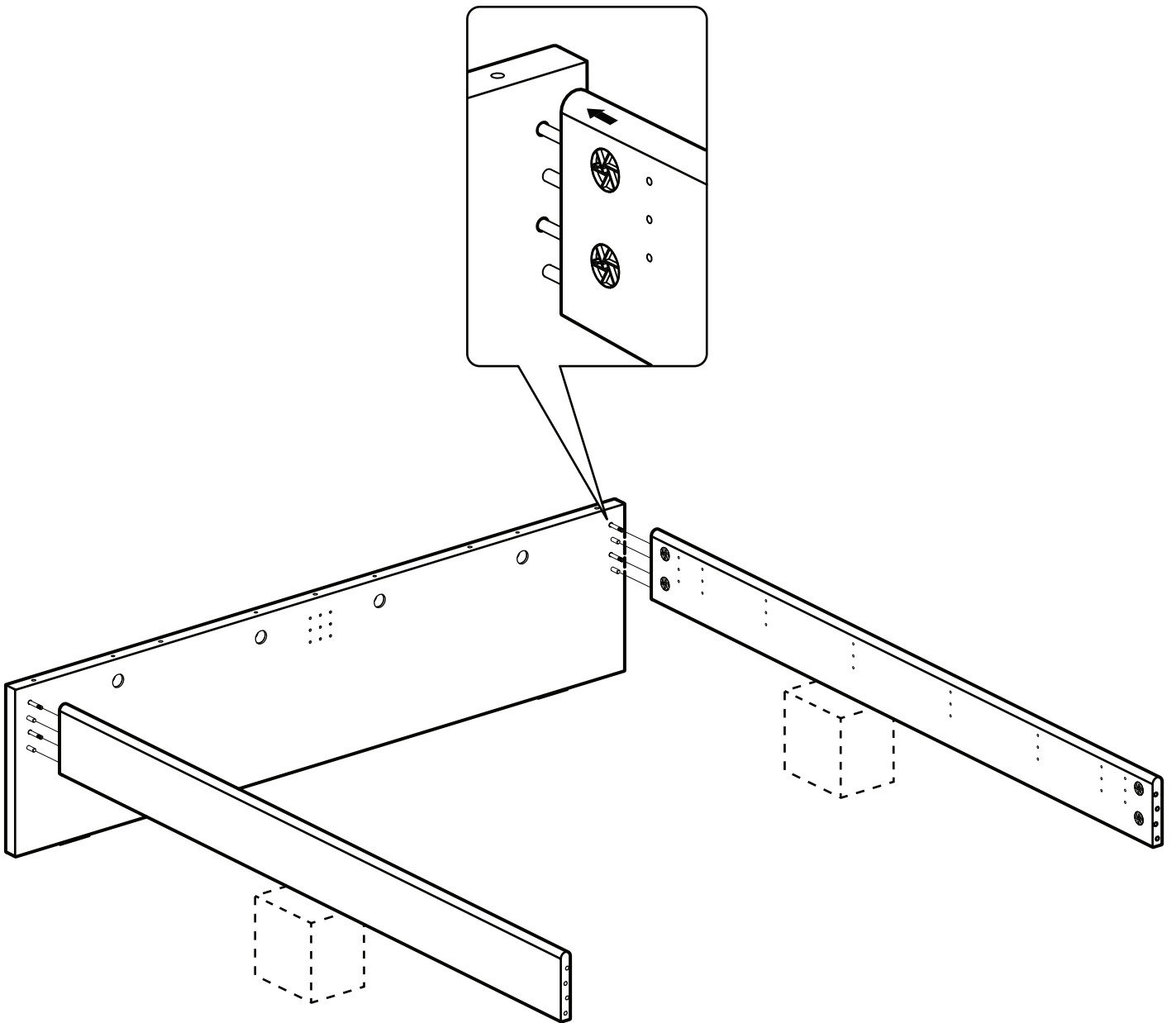
8x



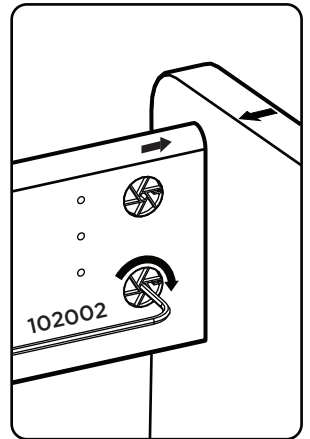
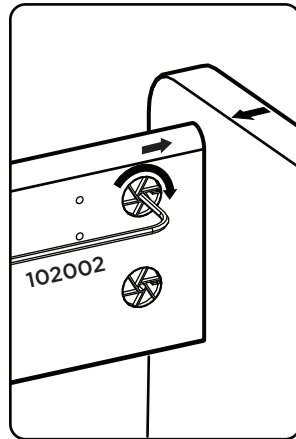
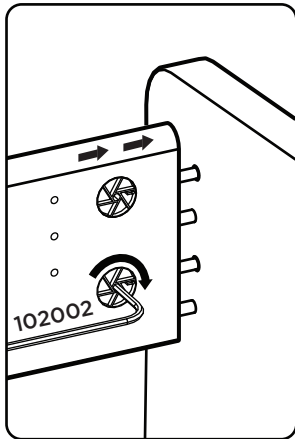
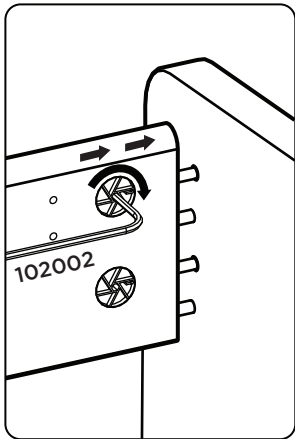
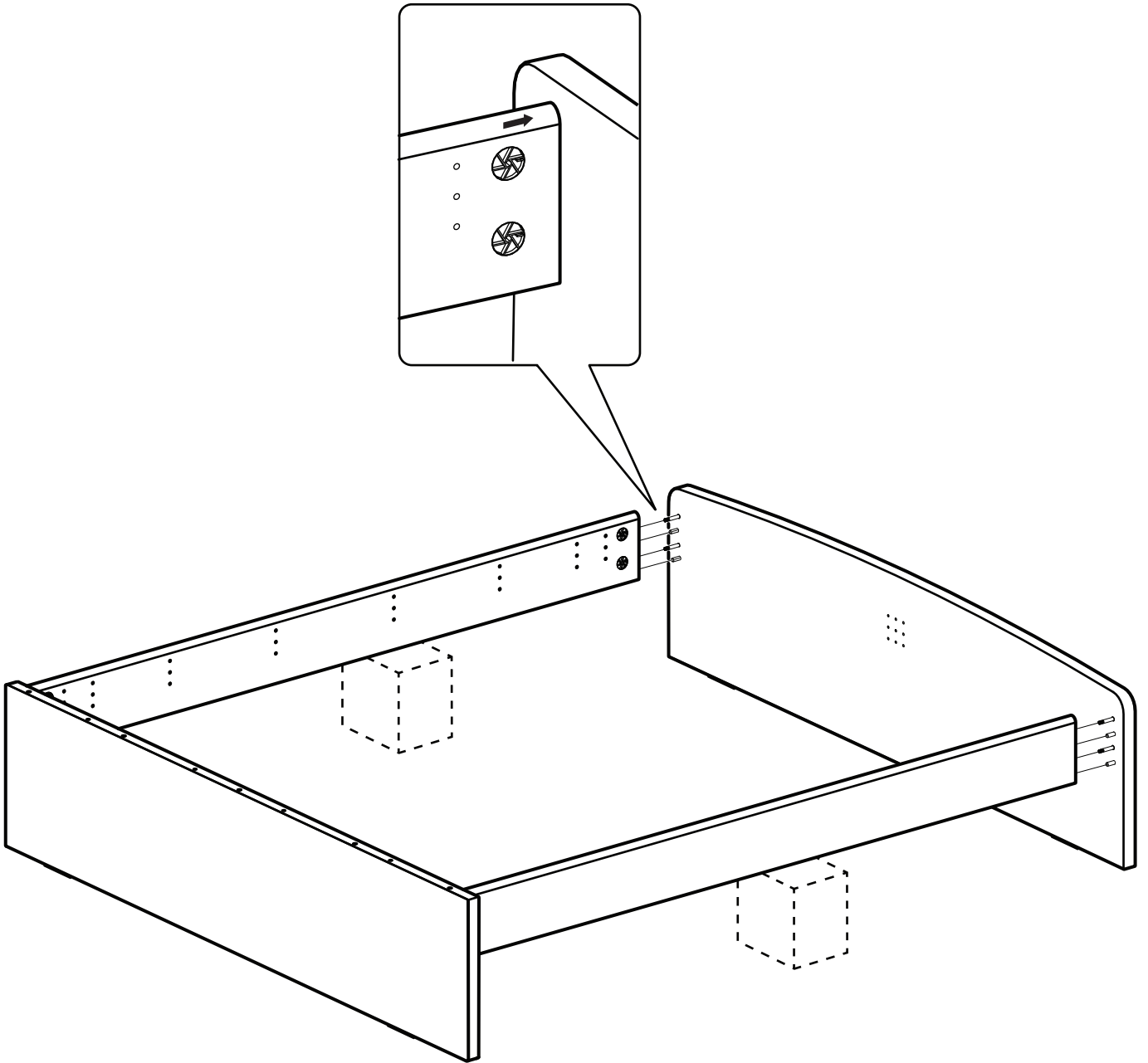


2

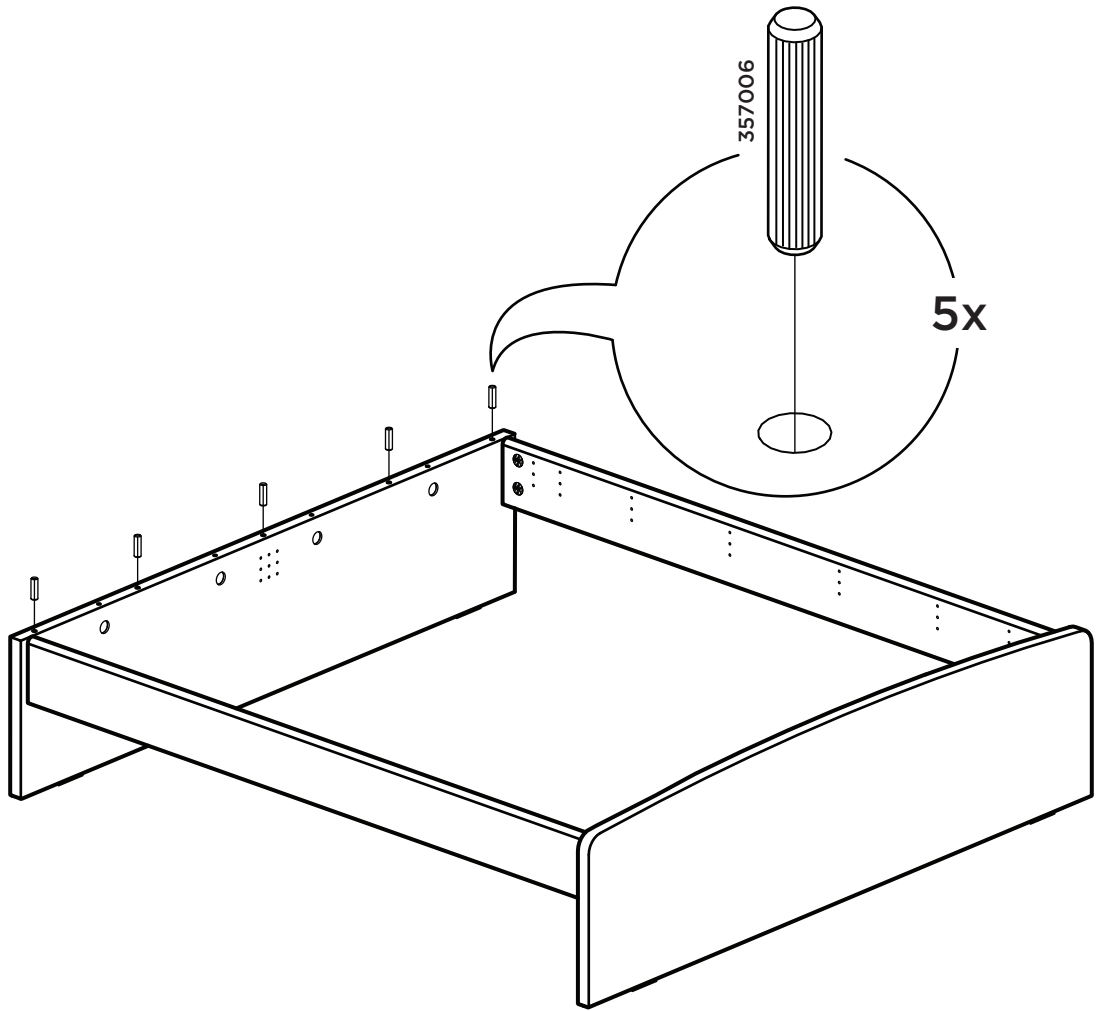




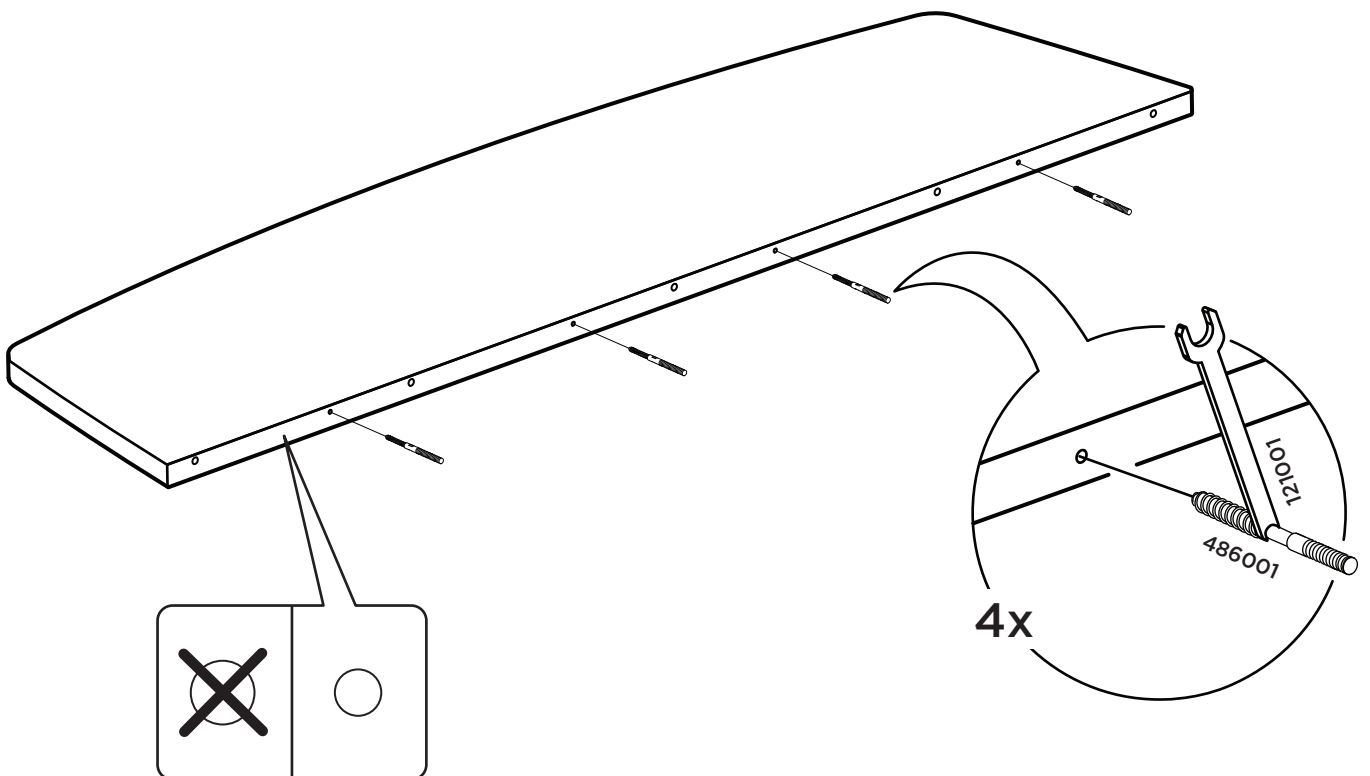
4

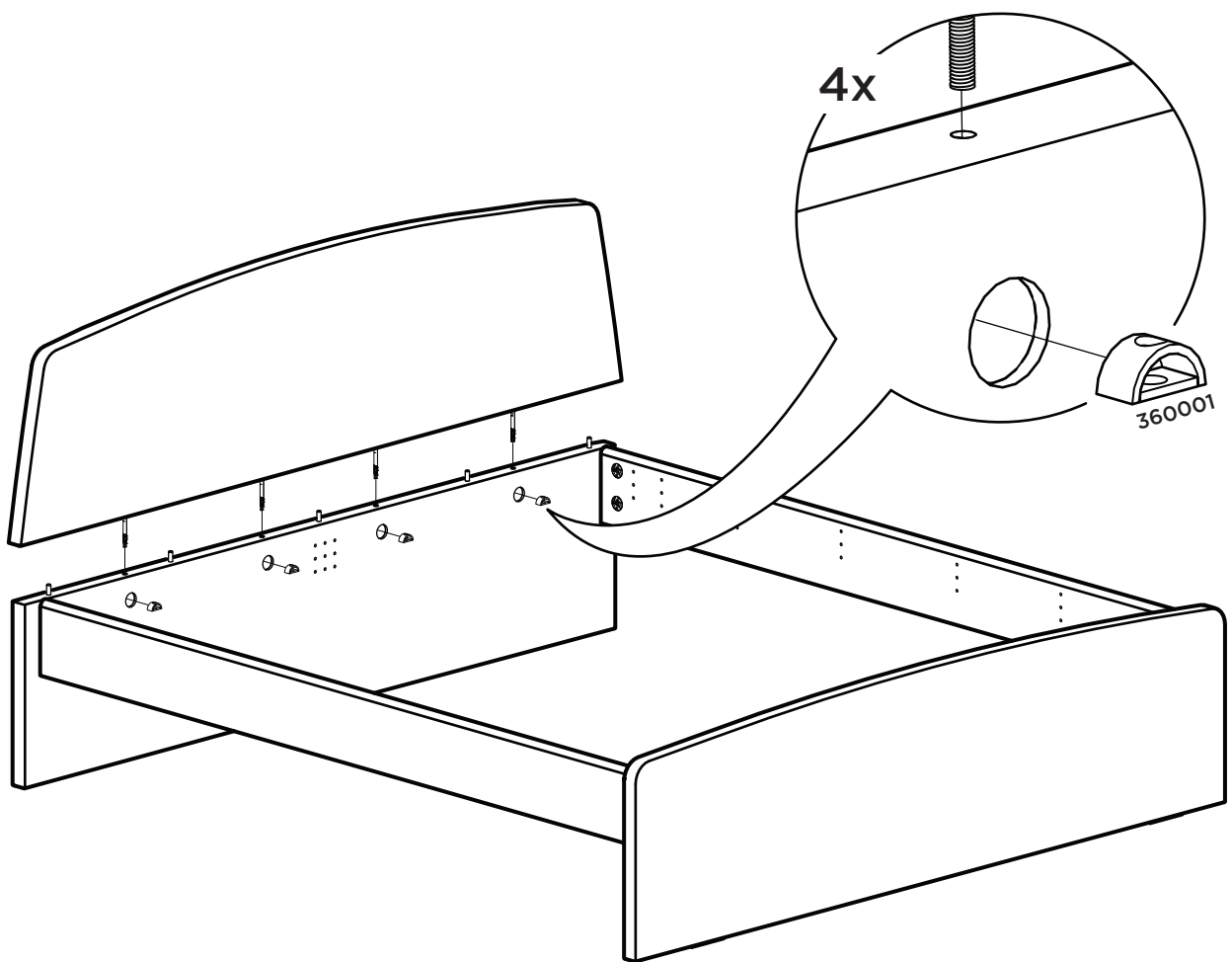


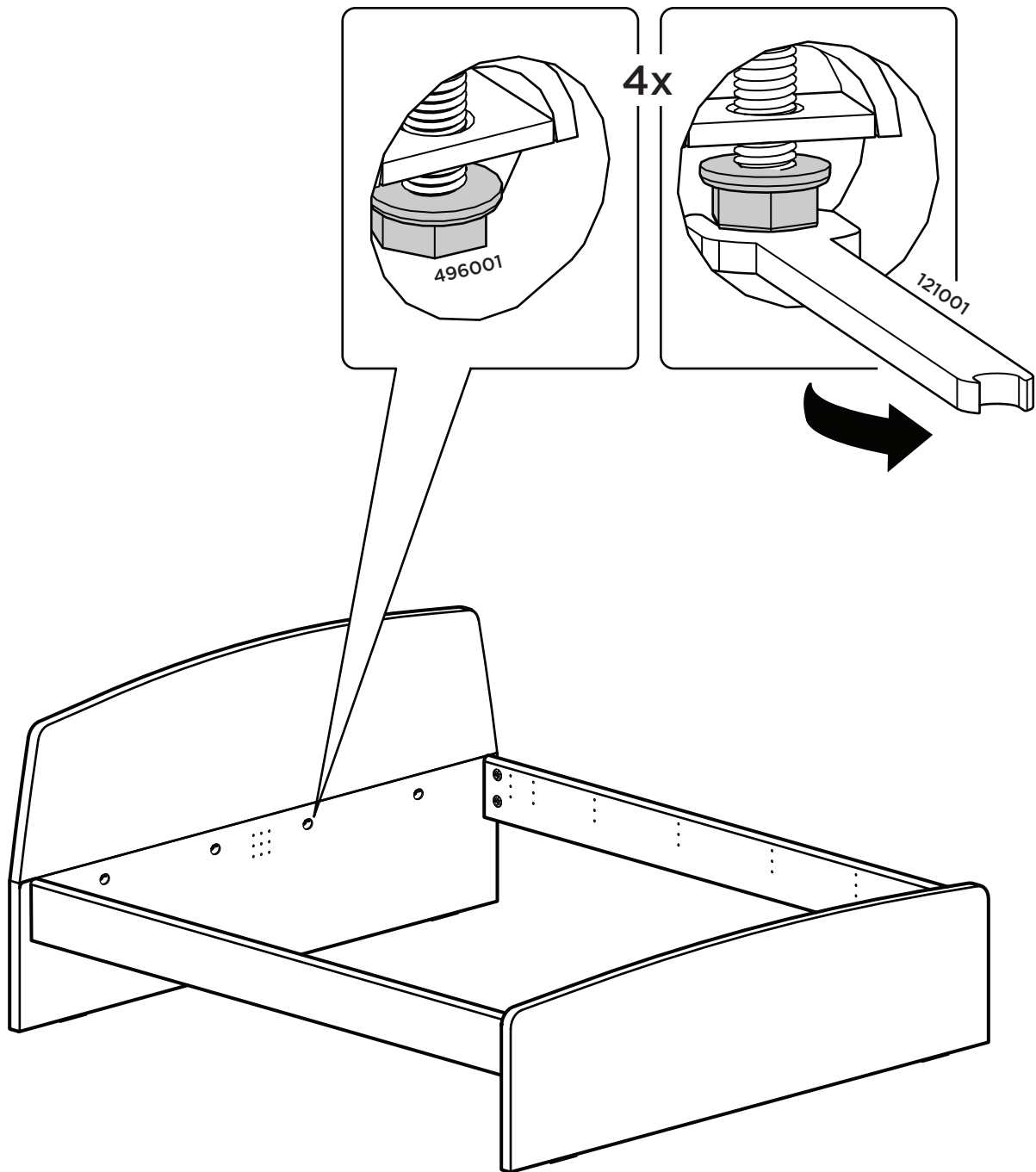
5



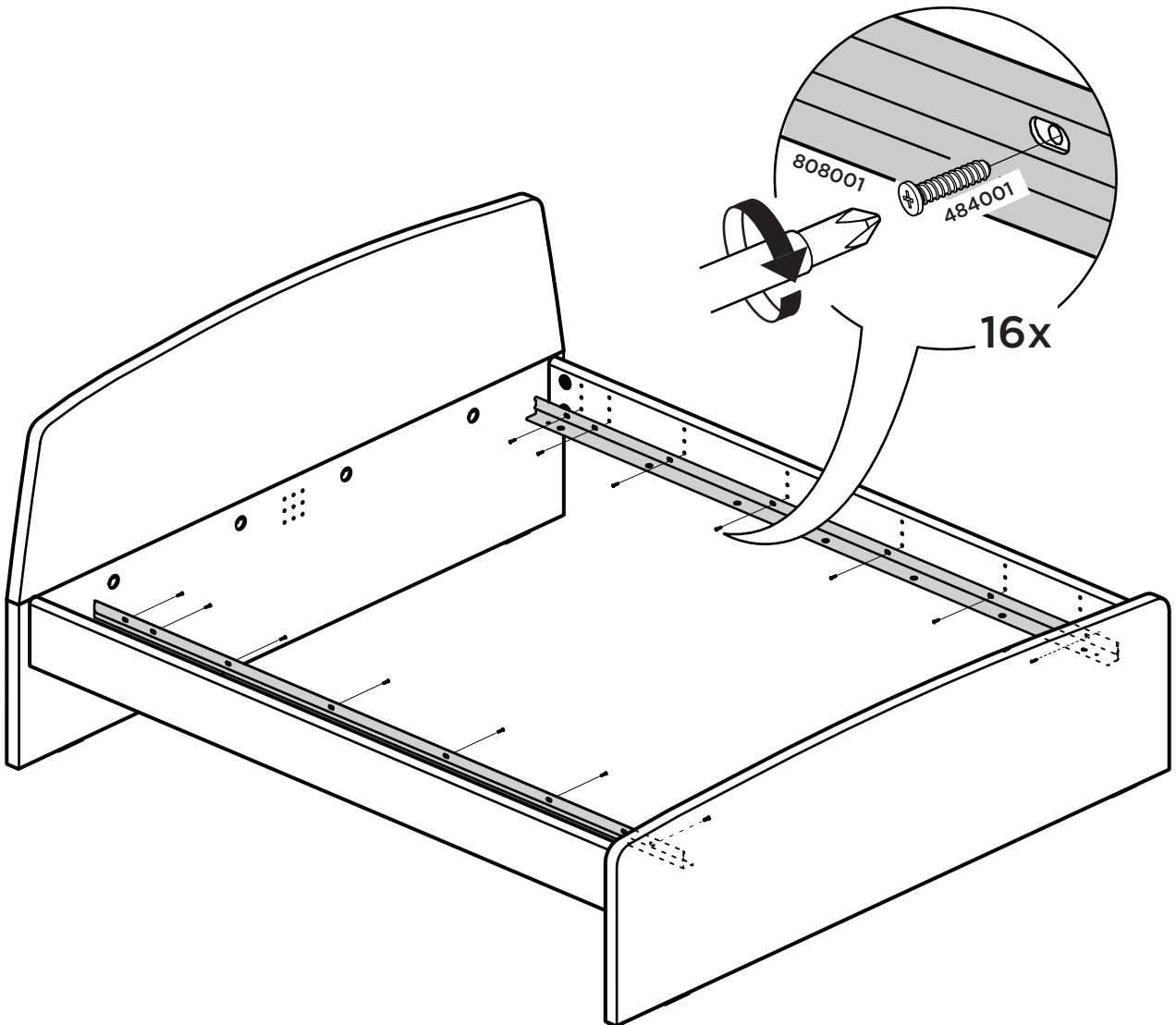
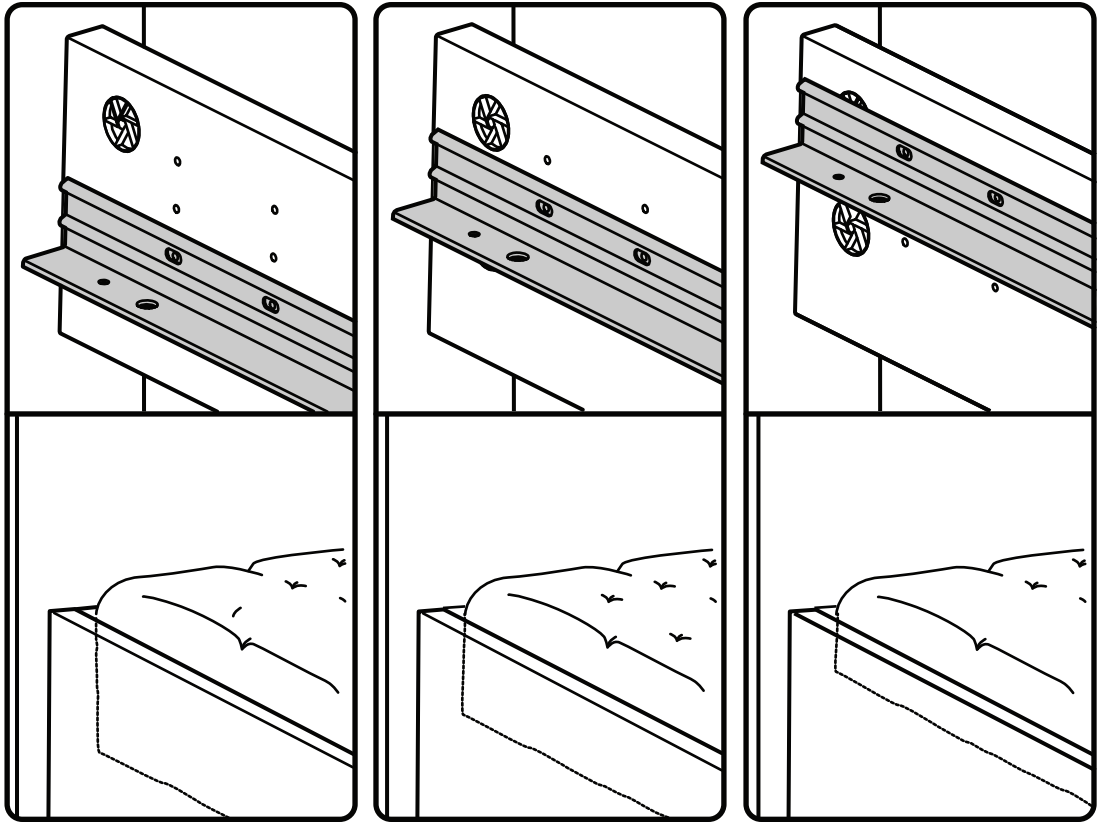
6

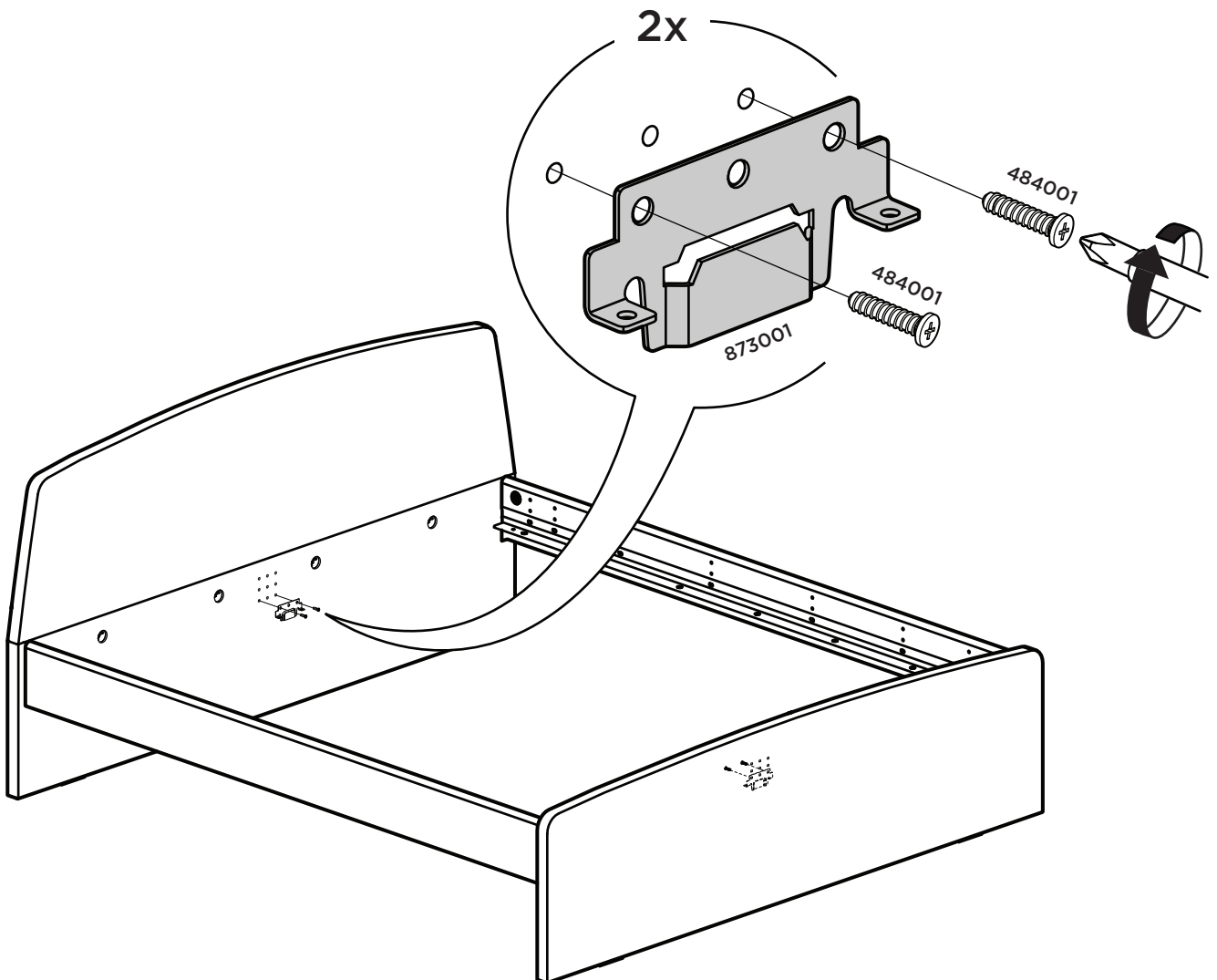
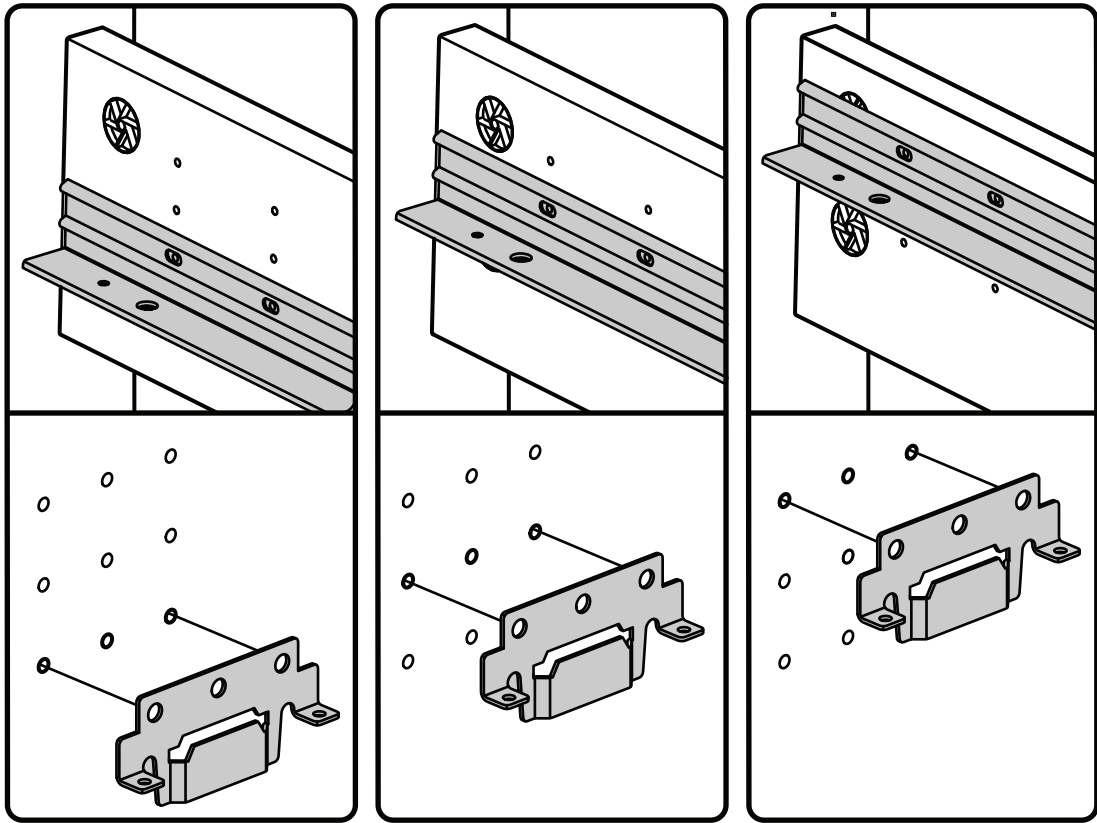


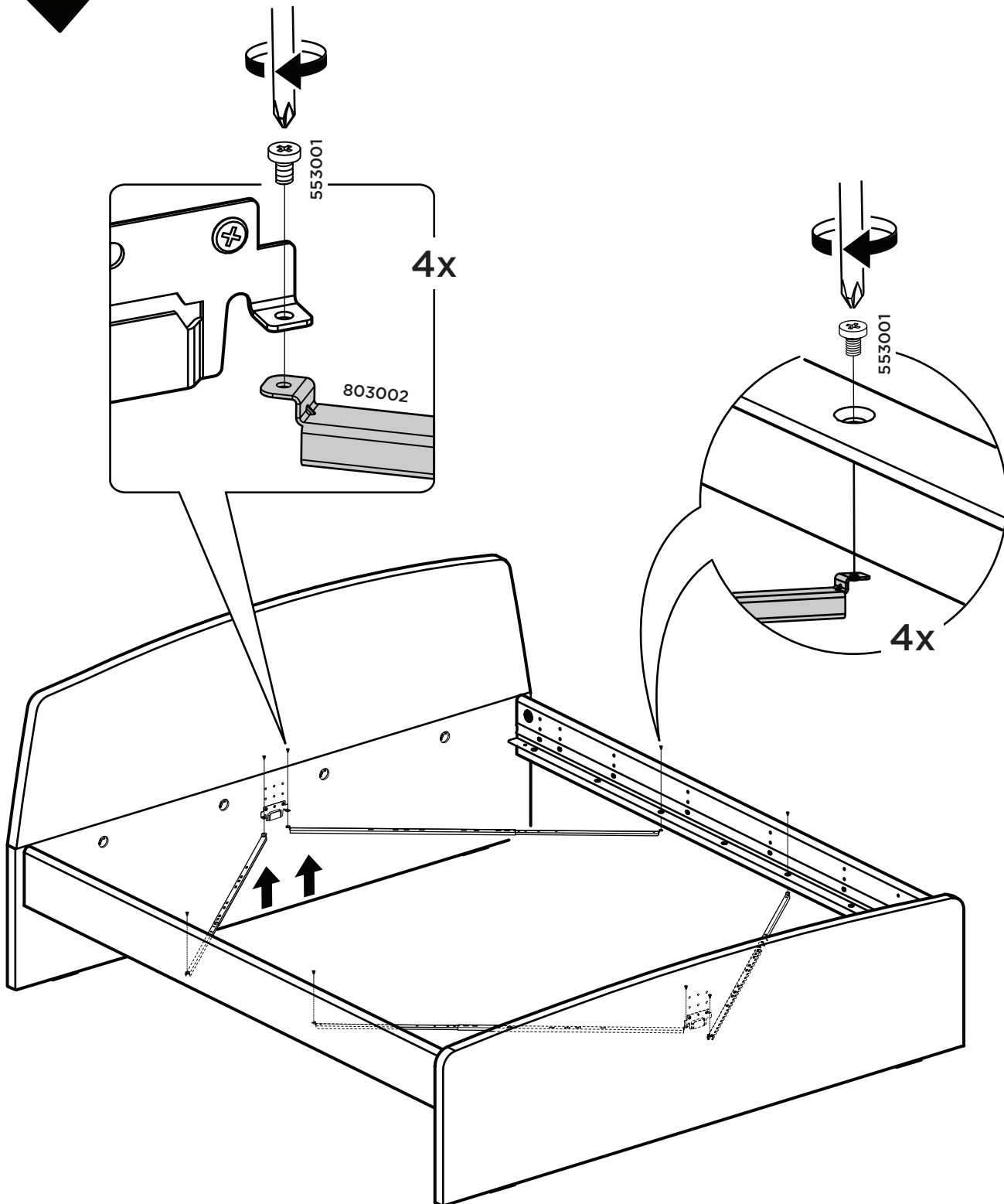
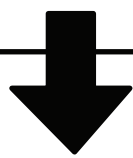
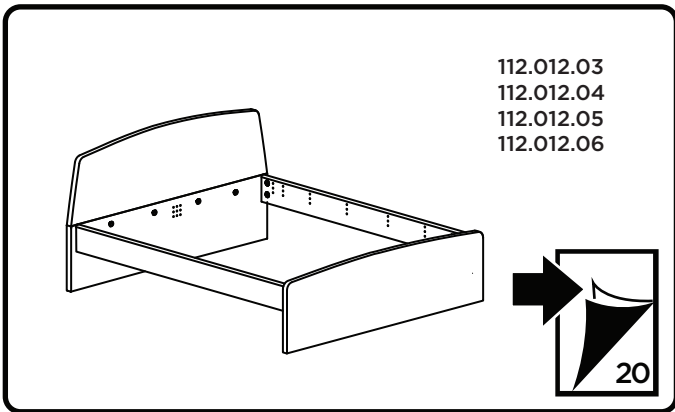
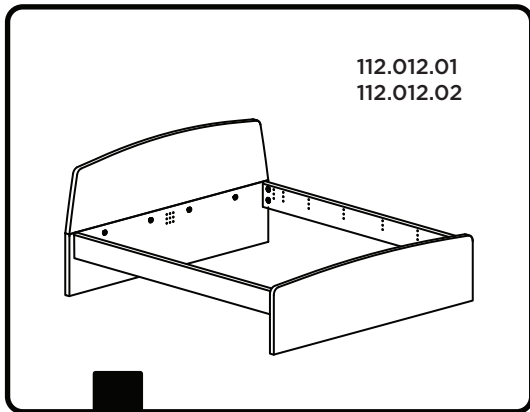


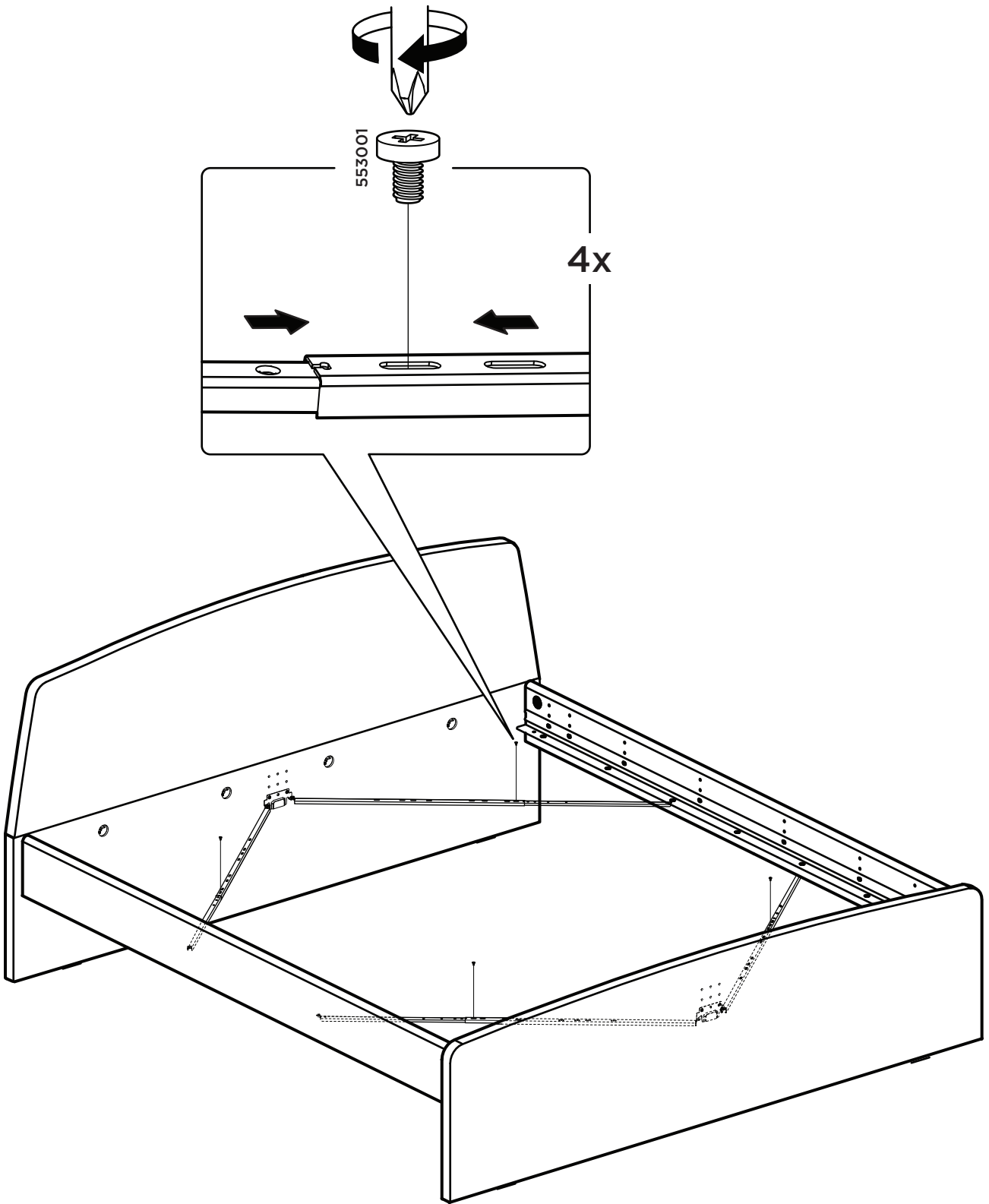


9

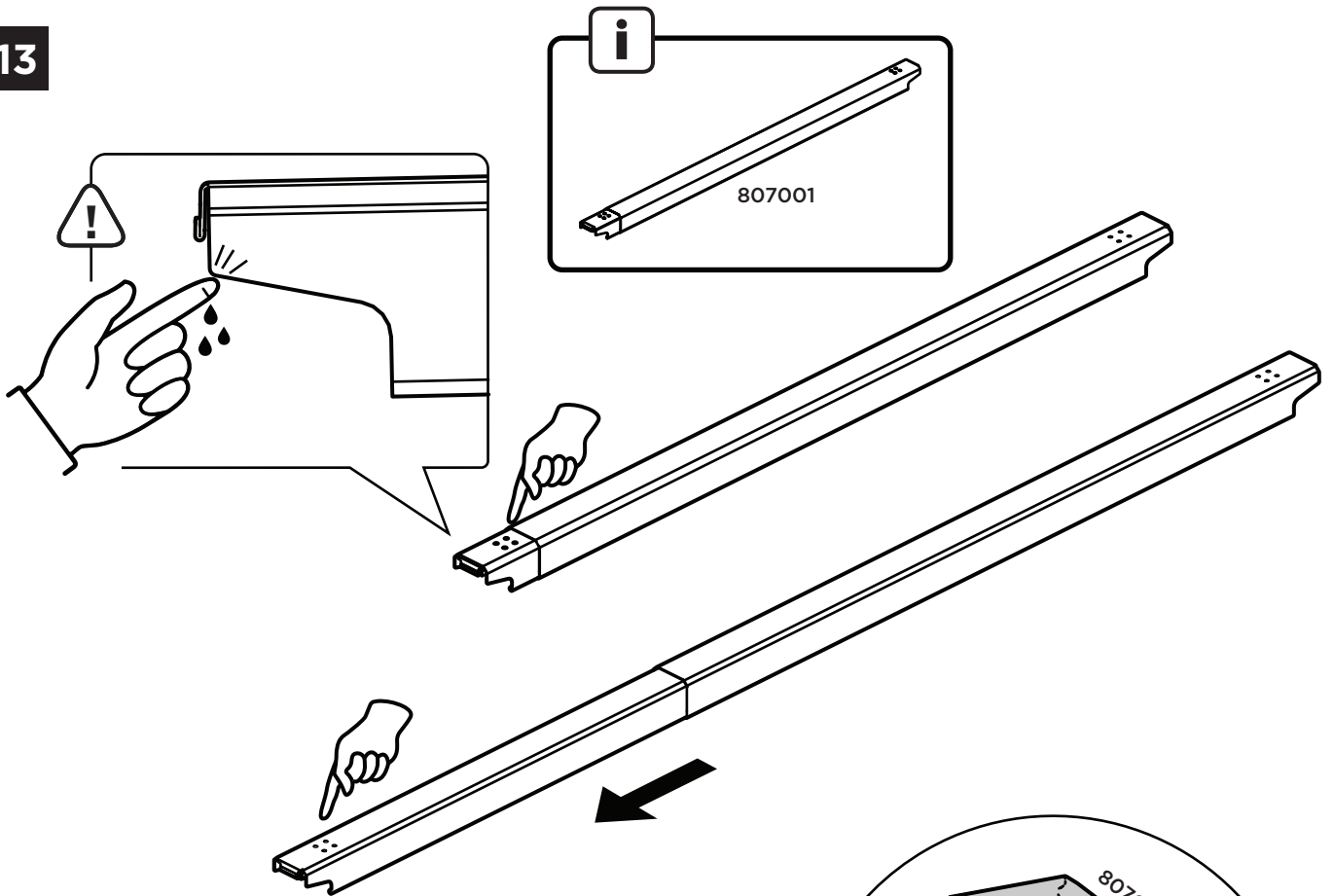




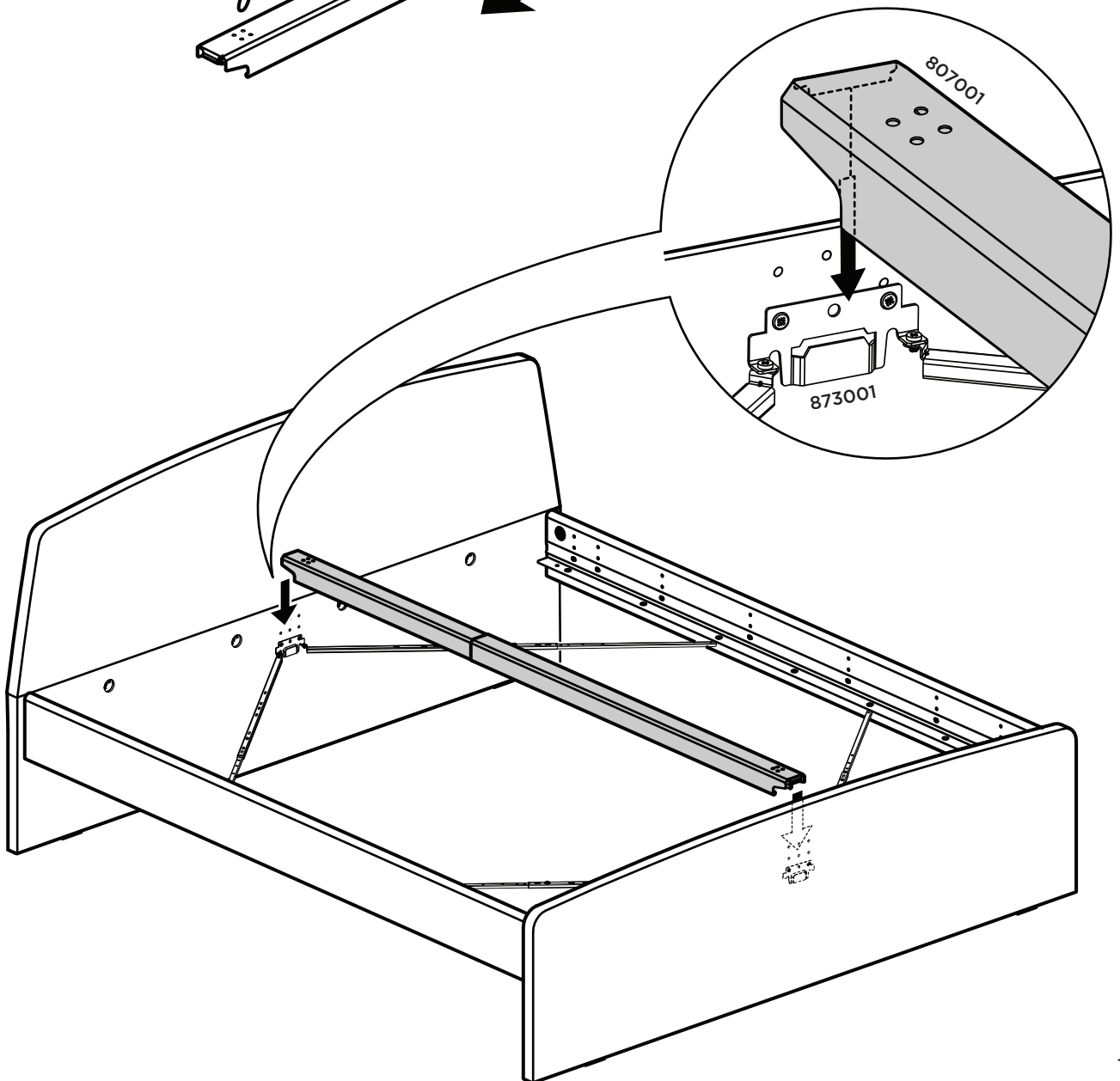


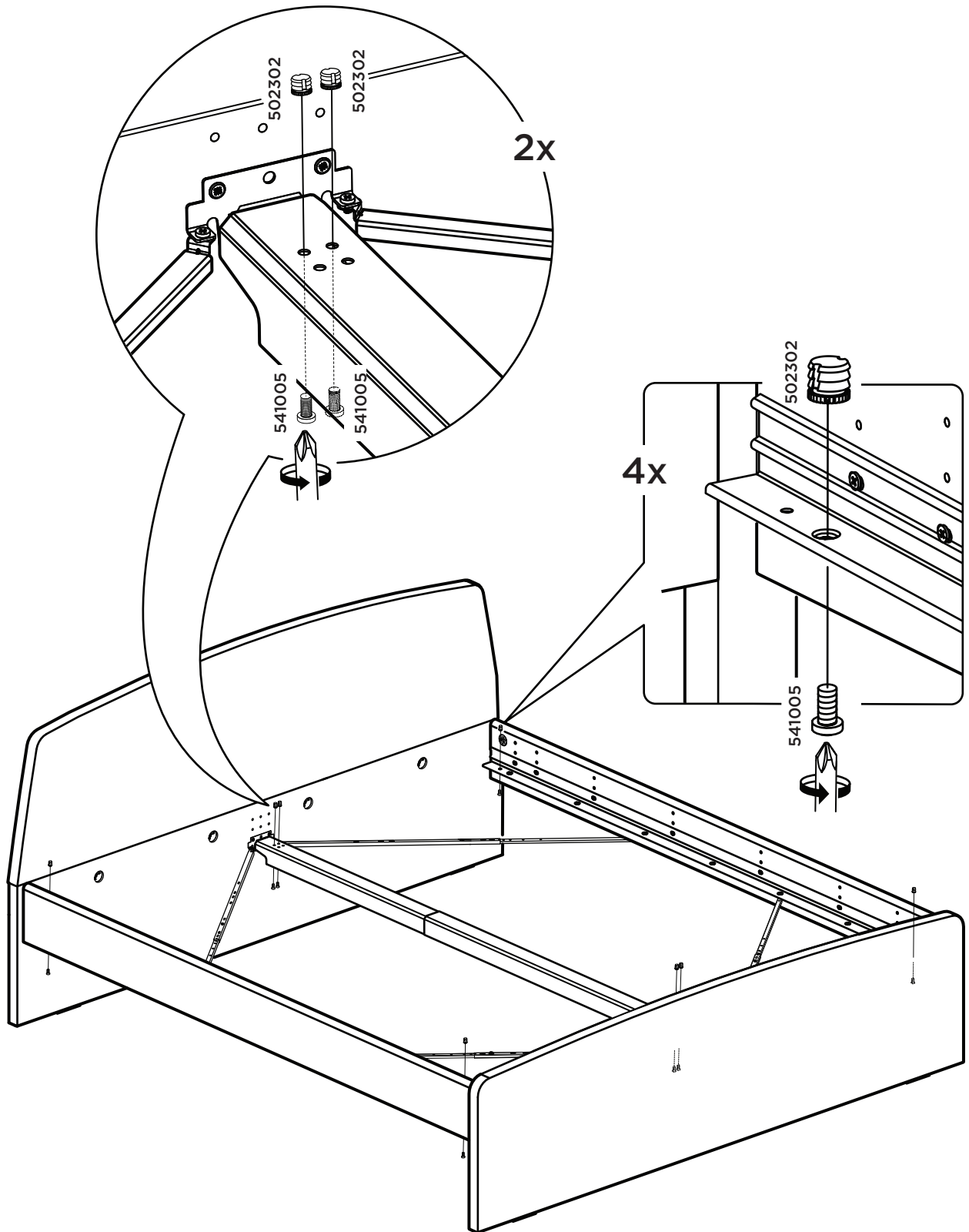


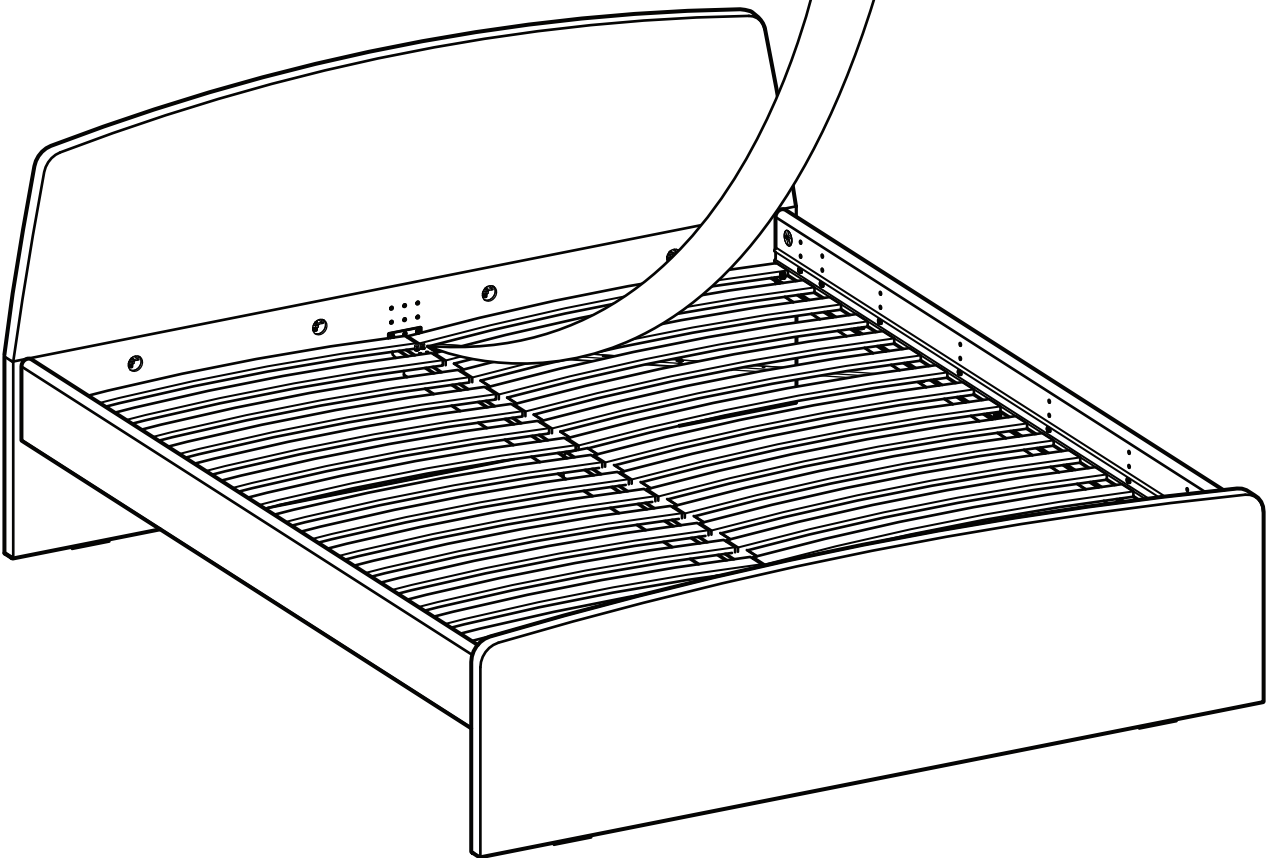
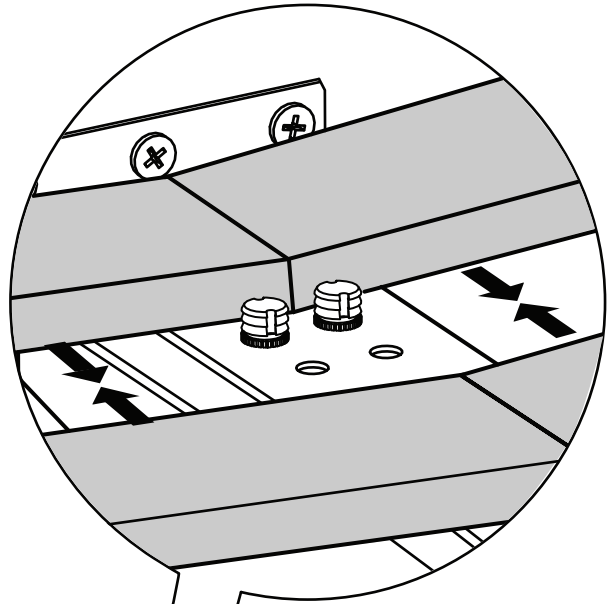
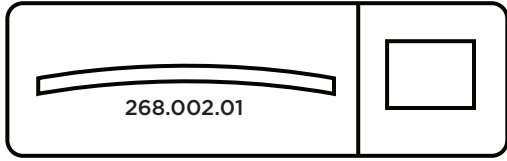
13

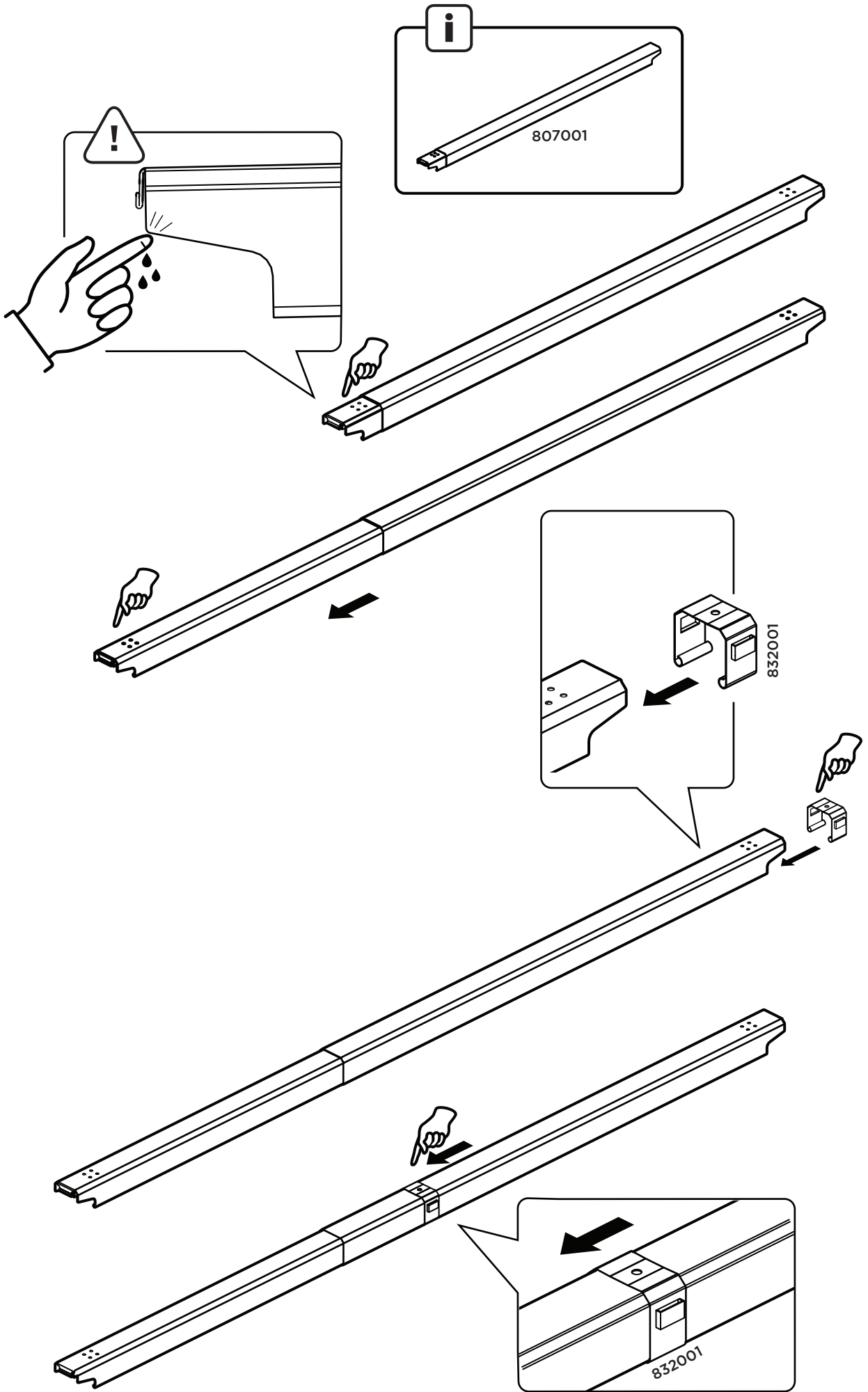


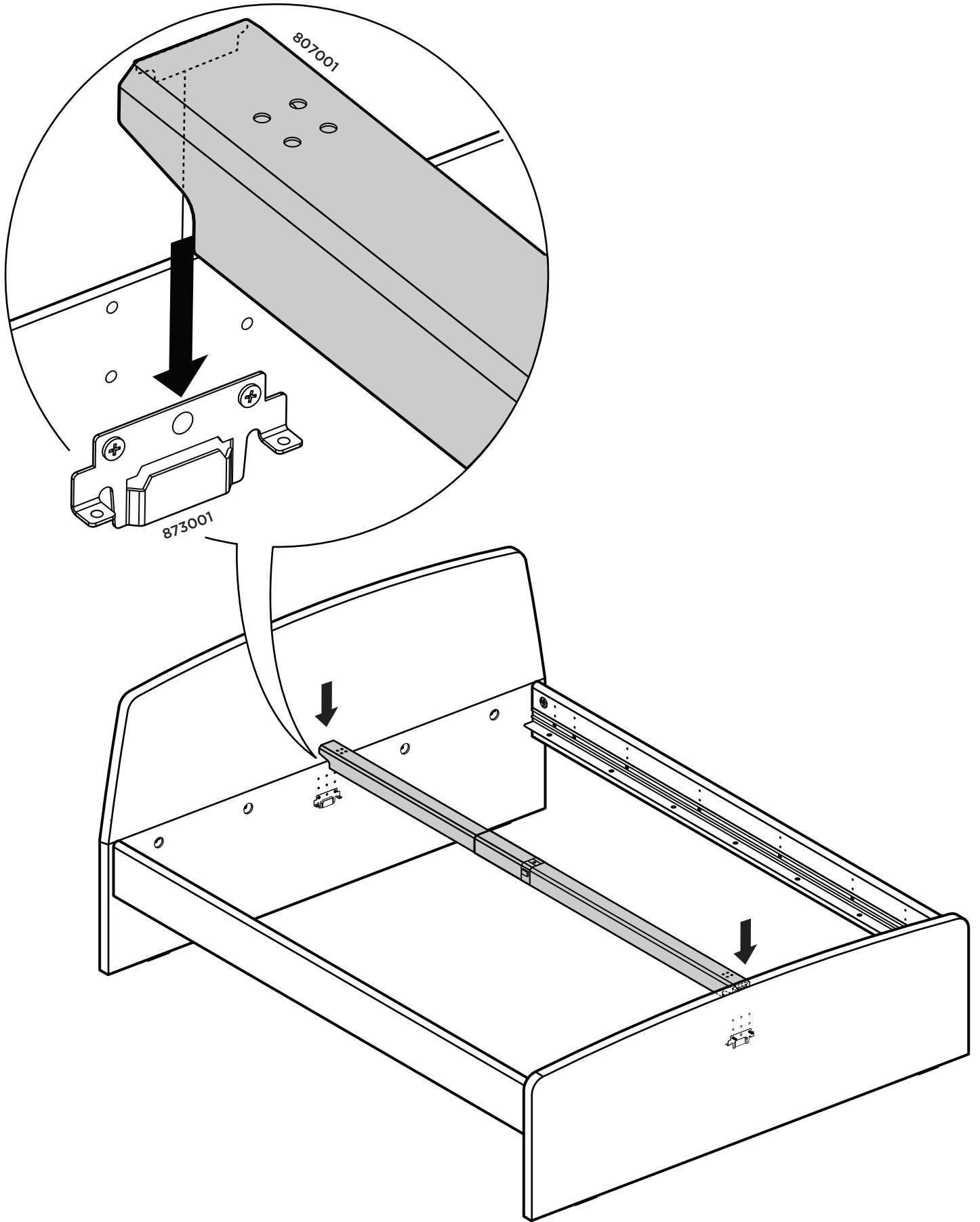
14

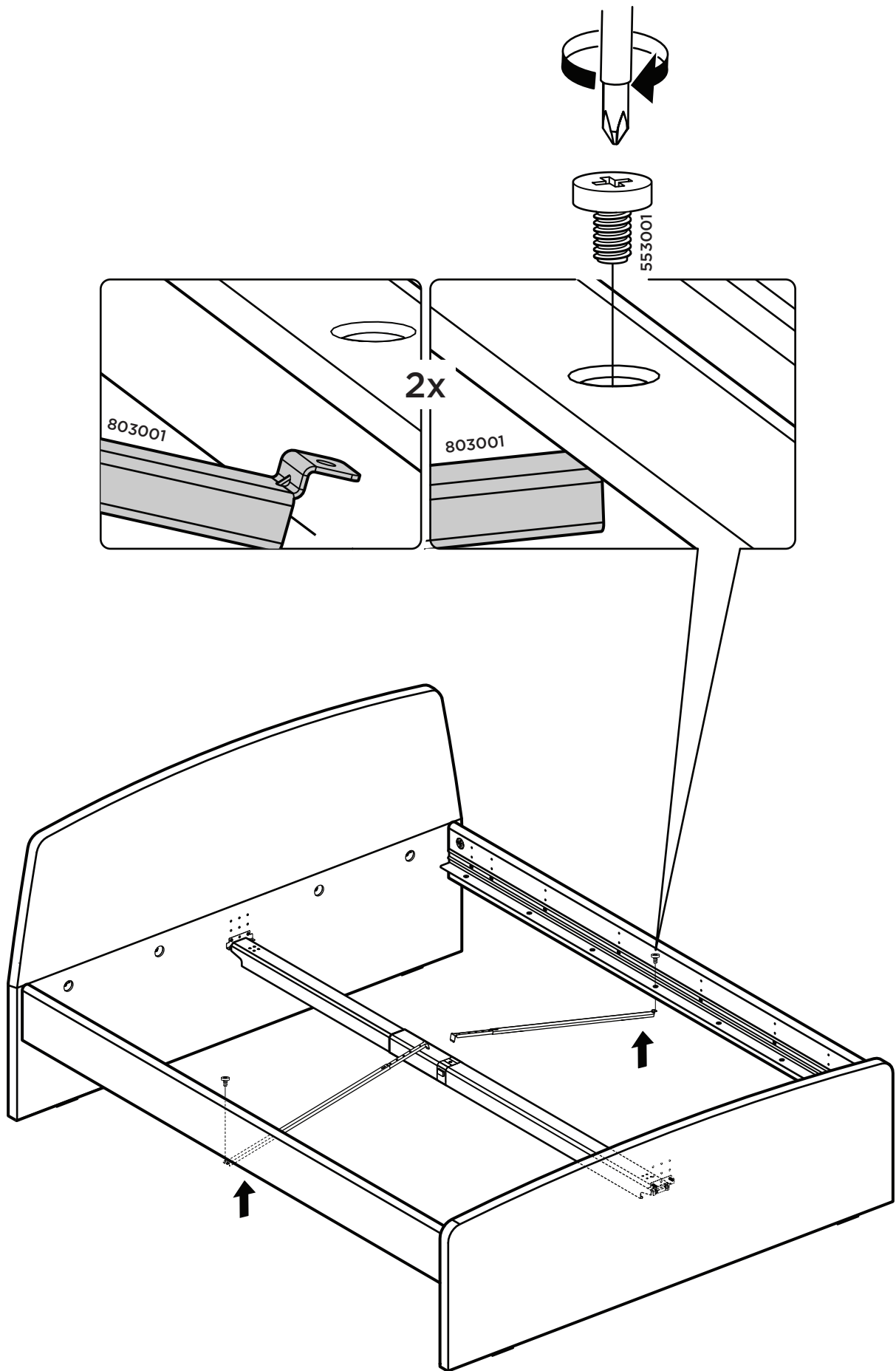




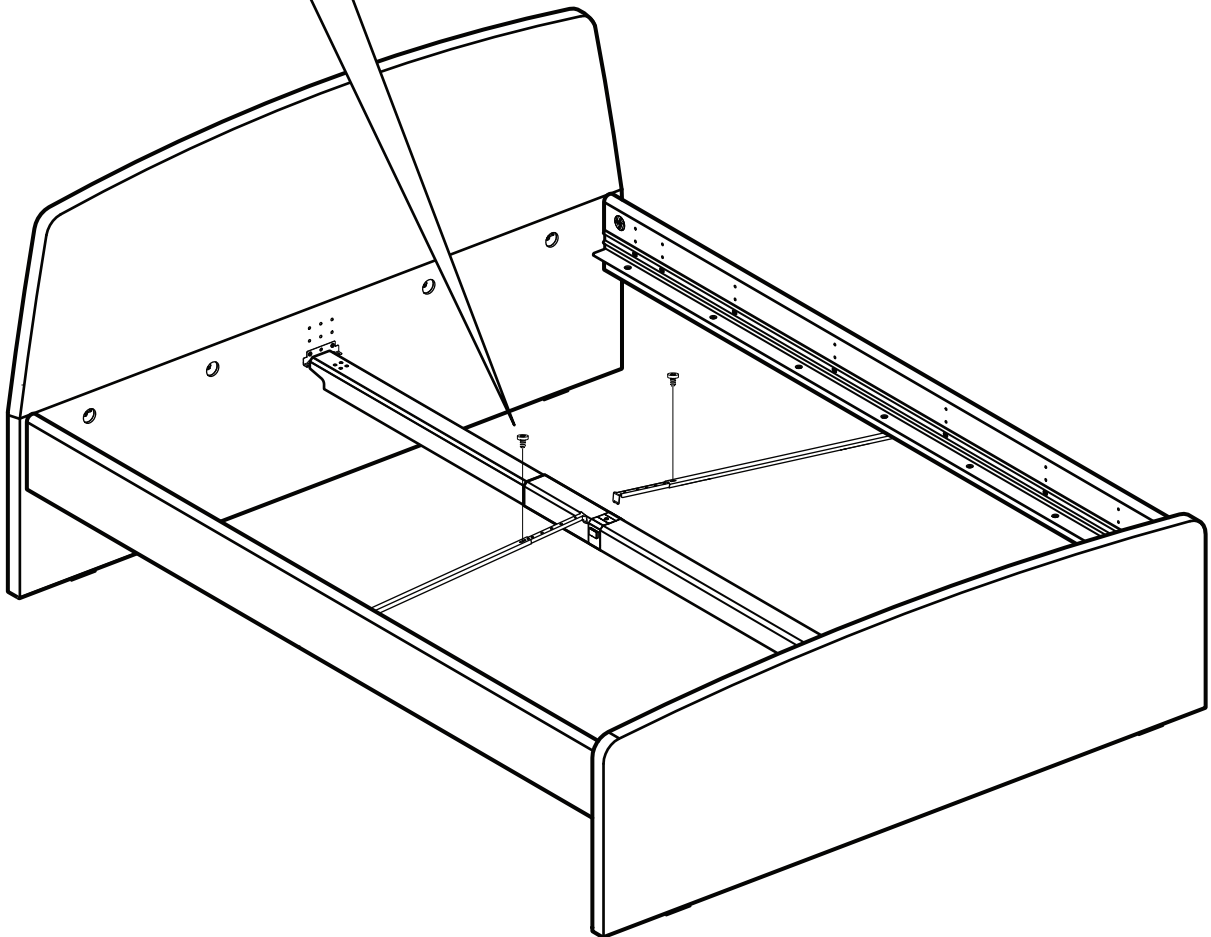
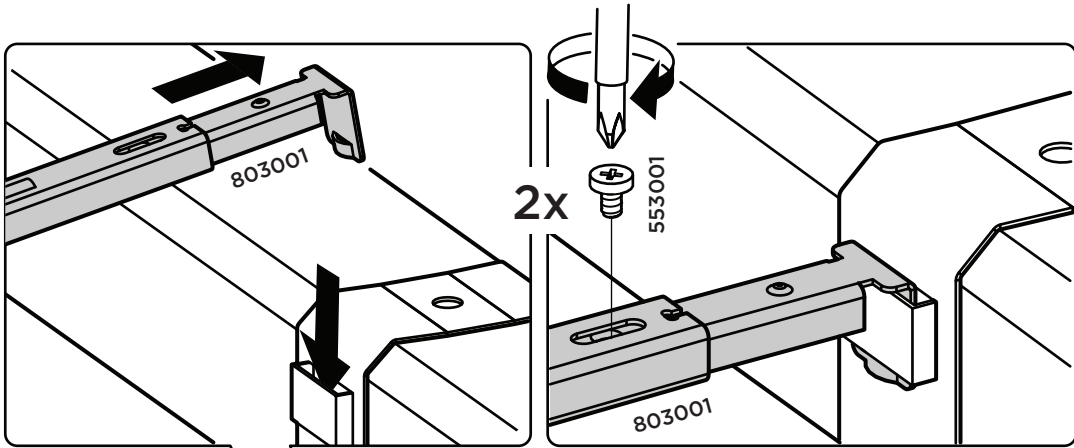
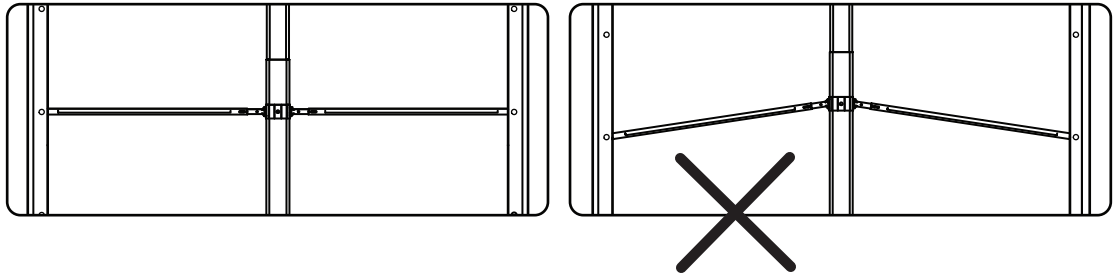


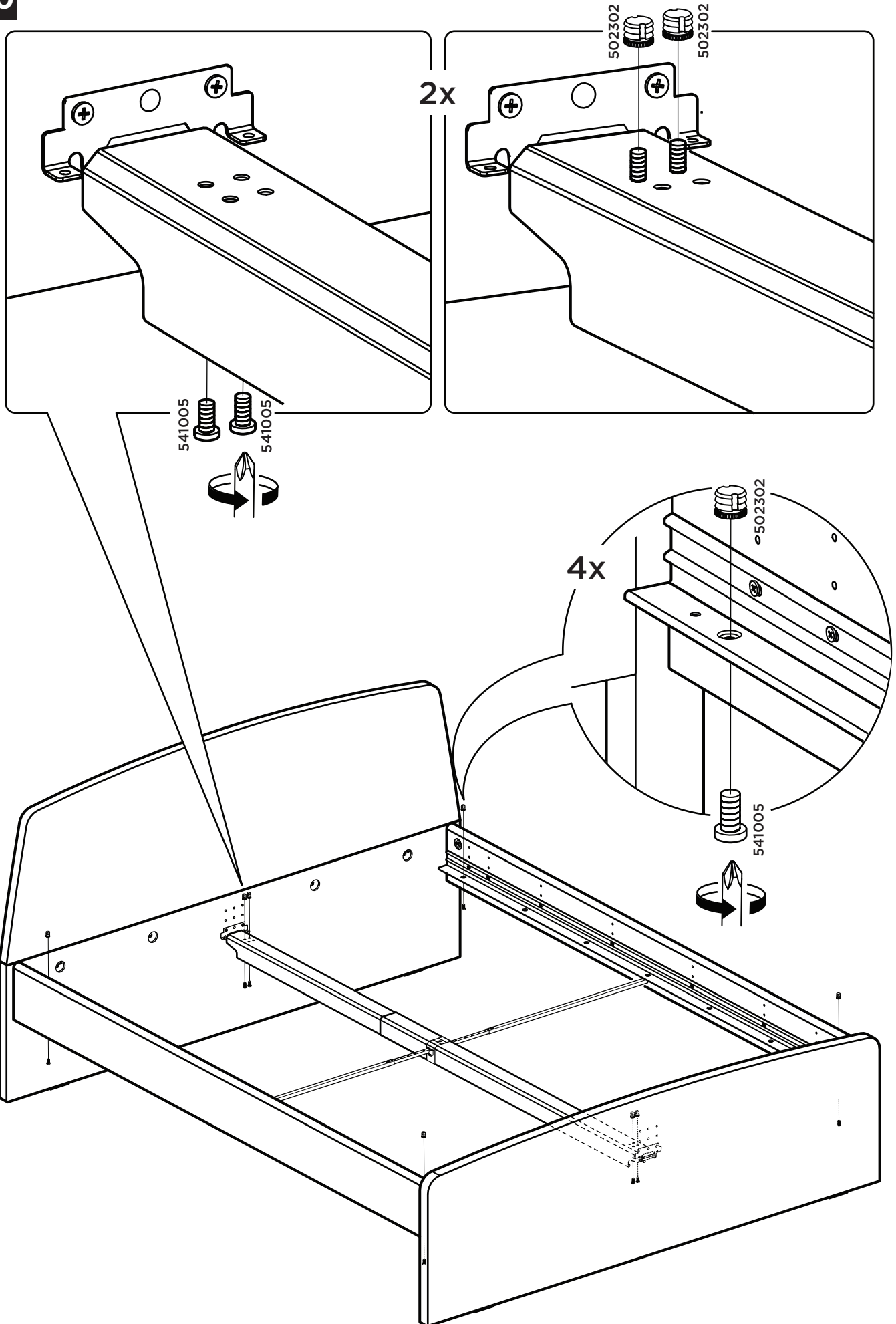




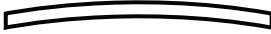


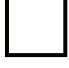


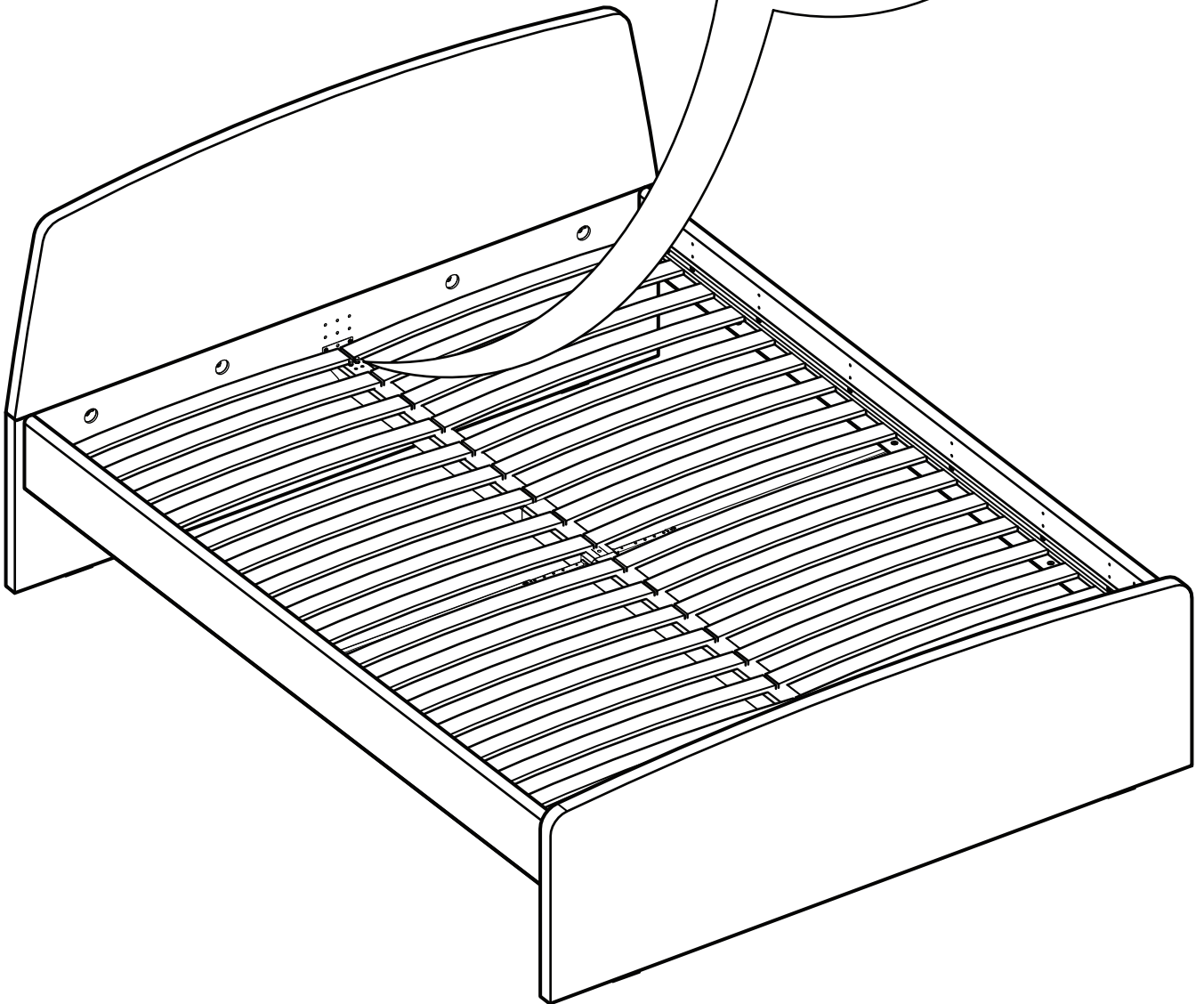
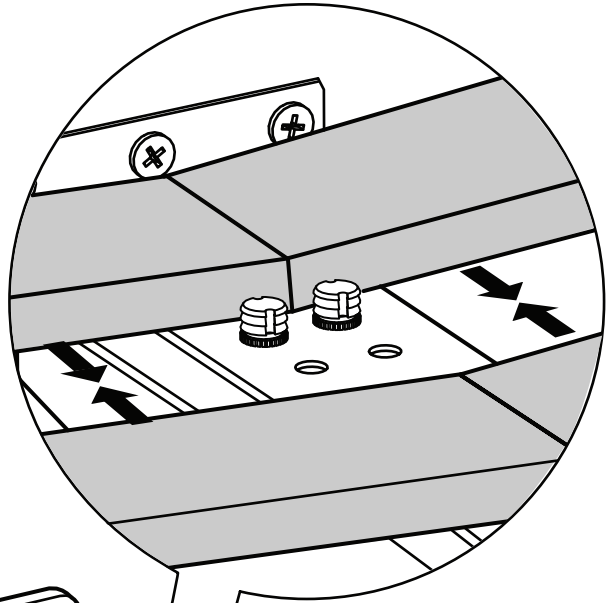
19







 268.002.02	
 268.002.03	



metercube