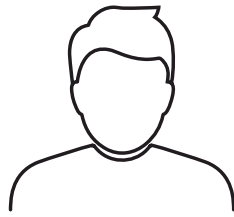
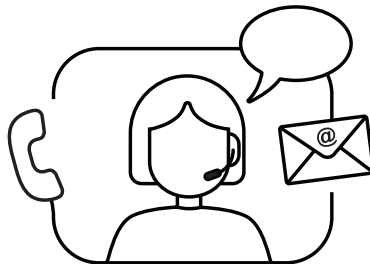
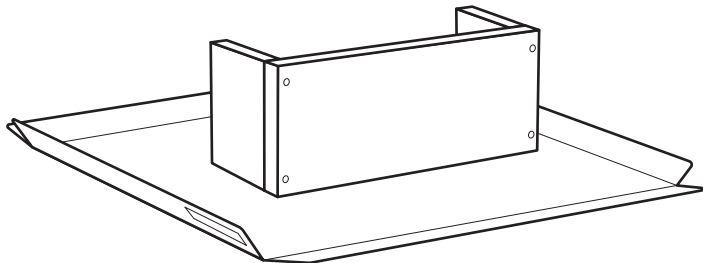
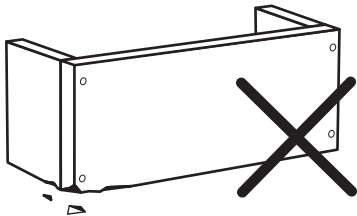
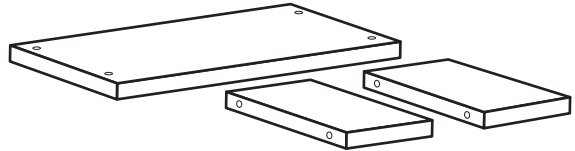
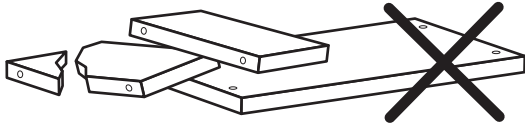


amaze

- 122.001.01
- 122.001.02
- 122.001.03
- 122.001.04
- 122.001.05
- 122.001.06
- 122.001.07
- 122.001.08

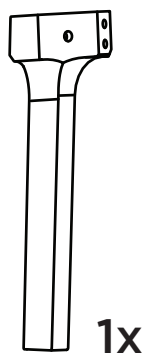


1x

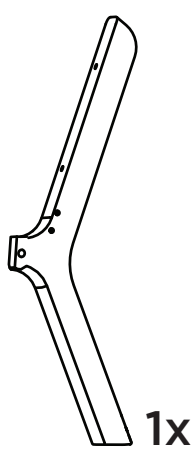




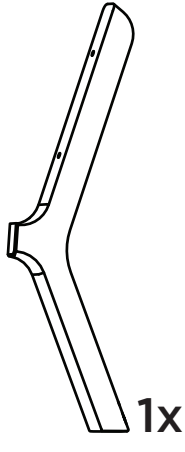
1x



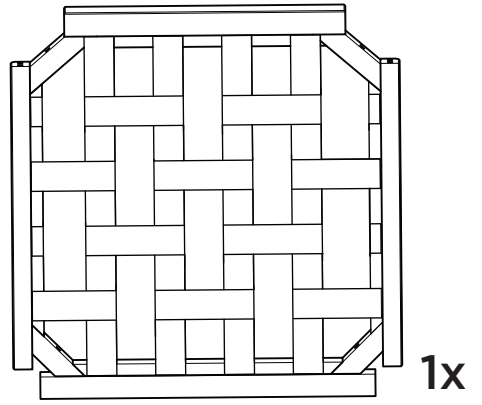
1x



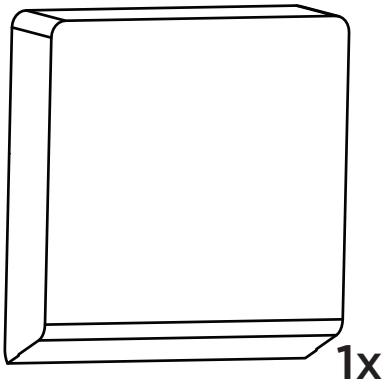
1x



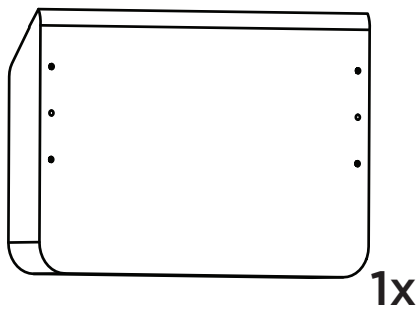
1x



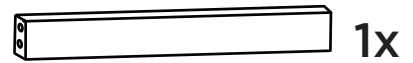
1x



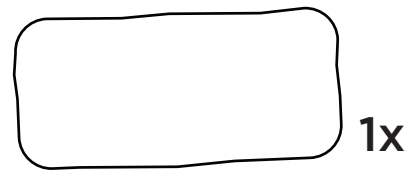
1x



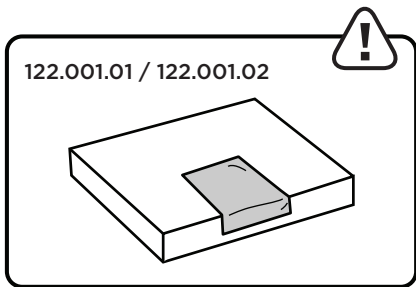
1x



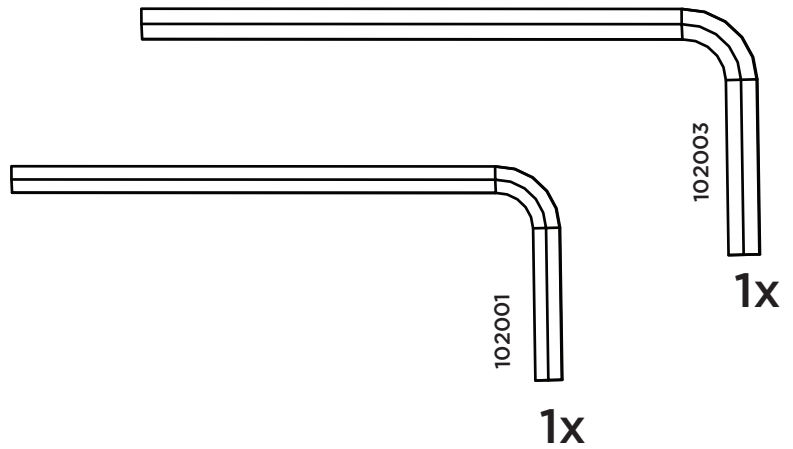
1x



1x



122.001.01 / 122.001.02

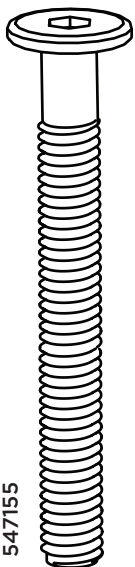


102001

1x

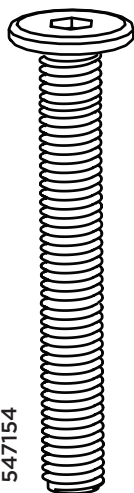
102003

1x



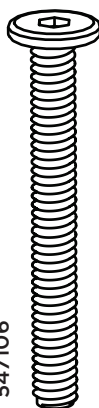
547155

2x



547154

2x



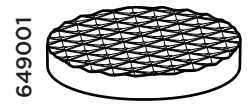
547106

4x



366101

4x



649001

4x



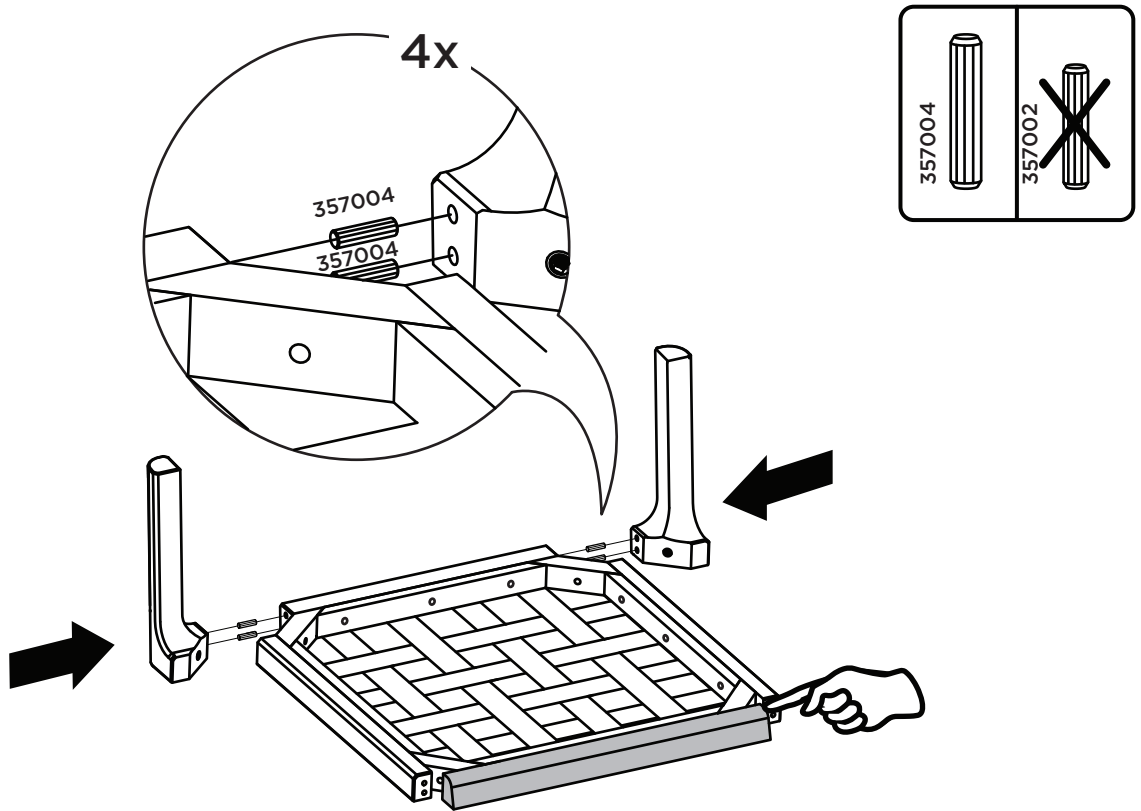
357004

10x

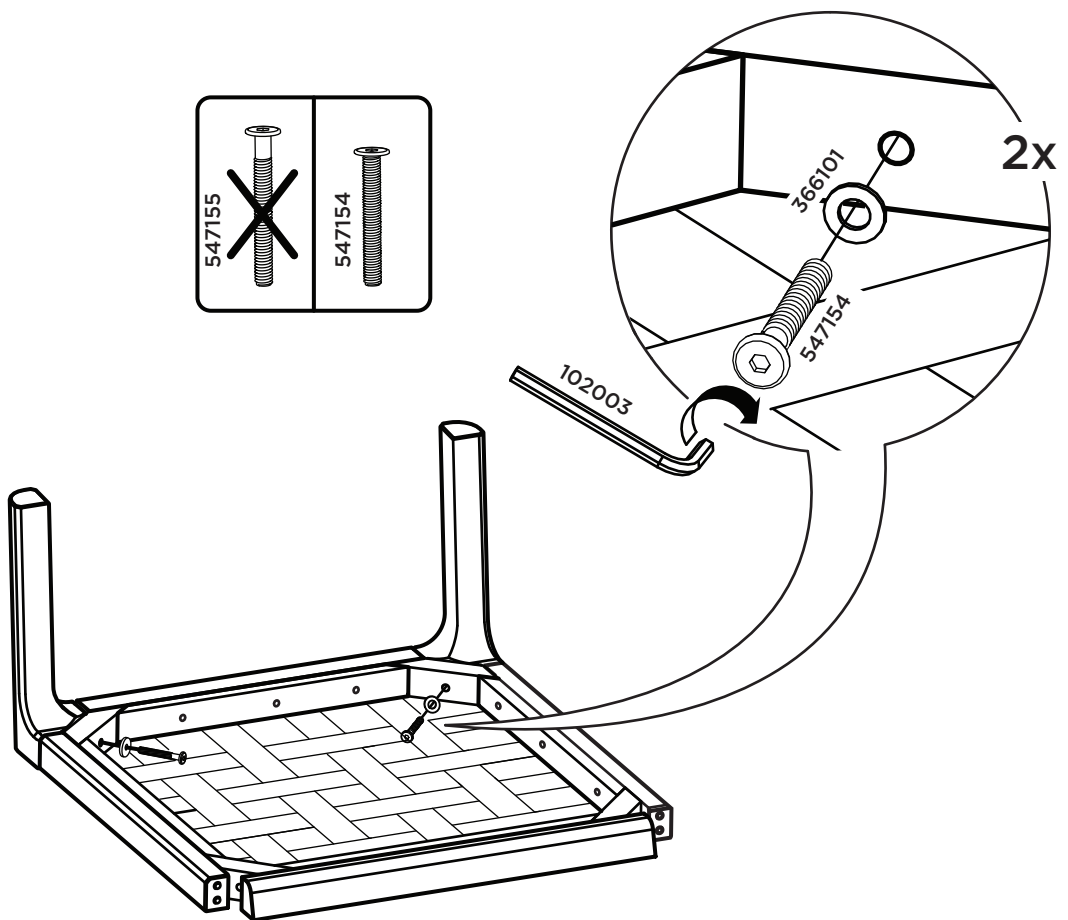


4x

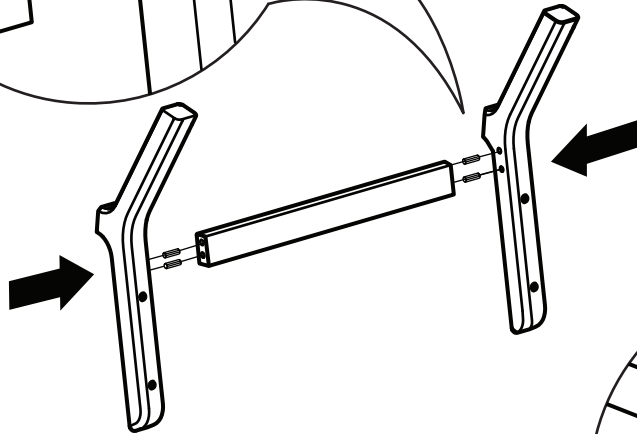
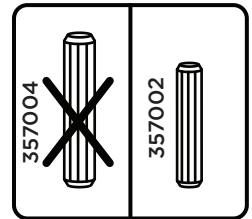
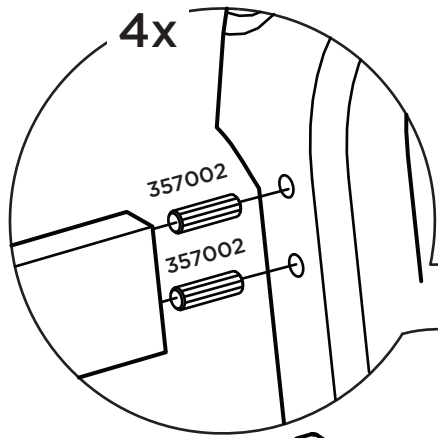
1



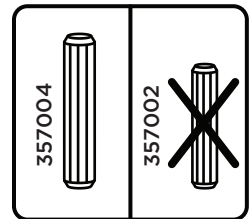
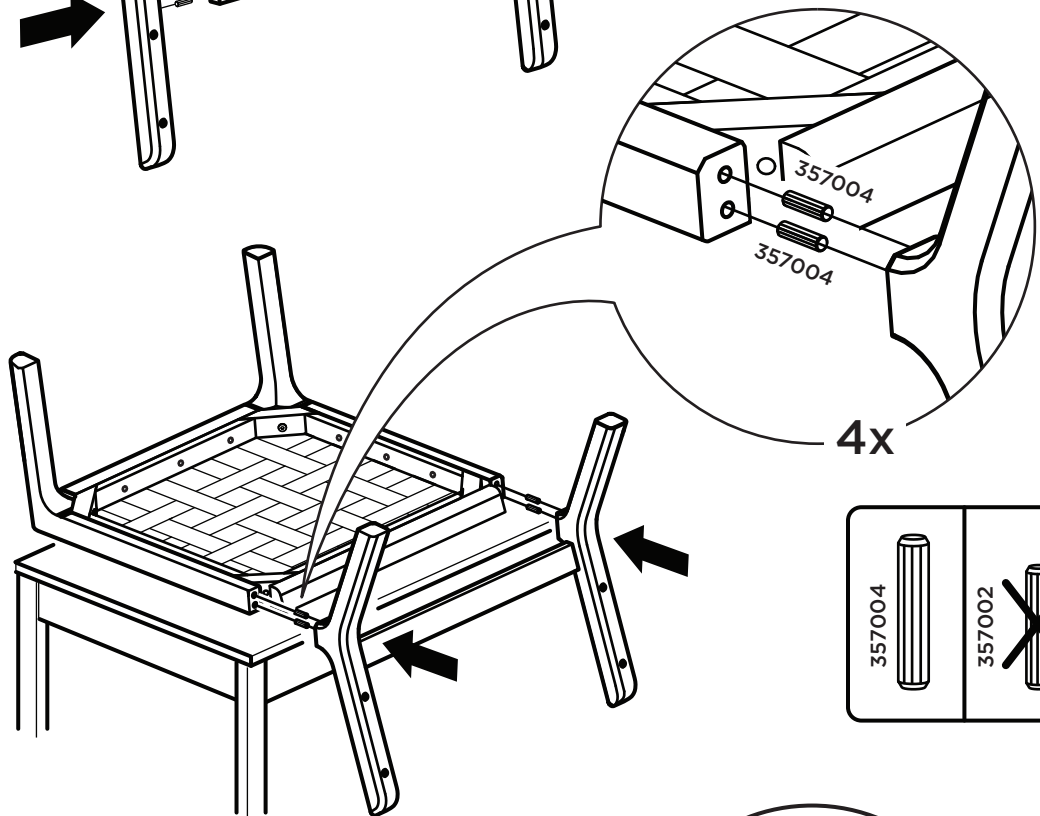
2



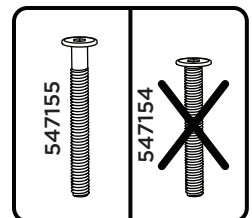
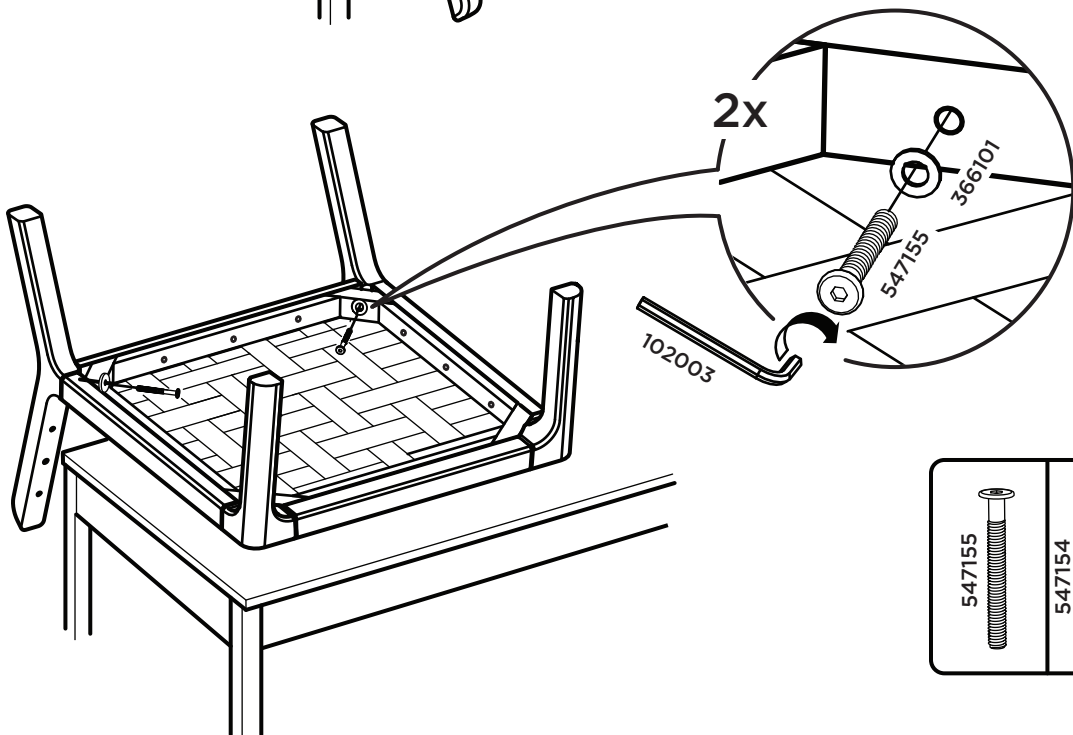
3



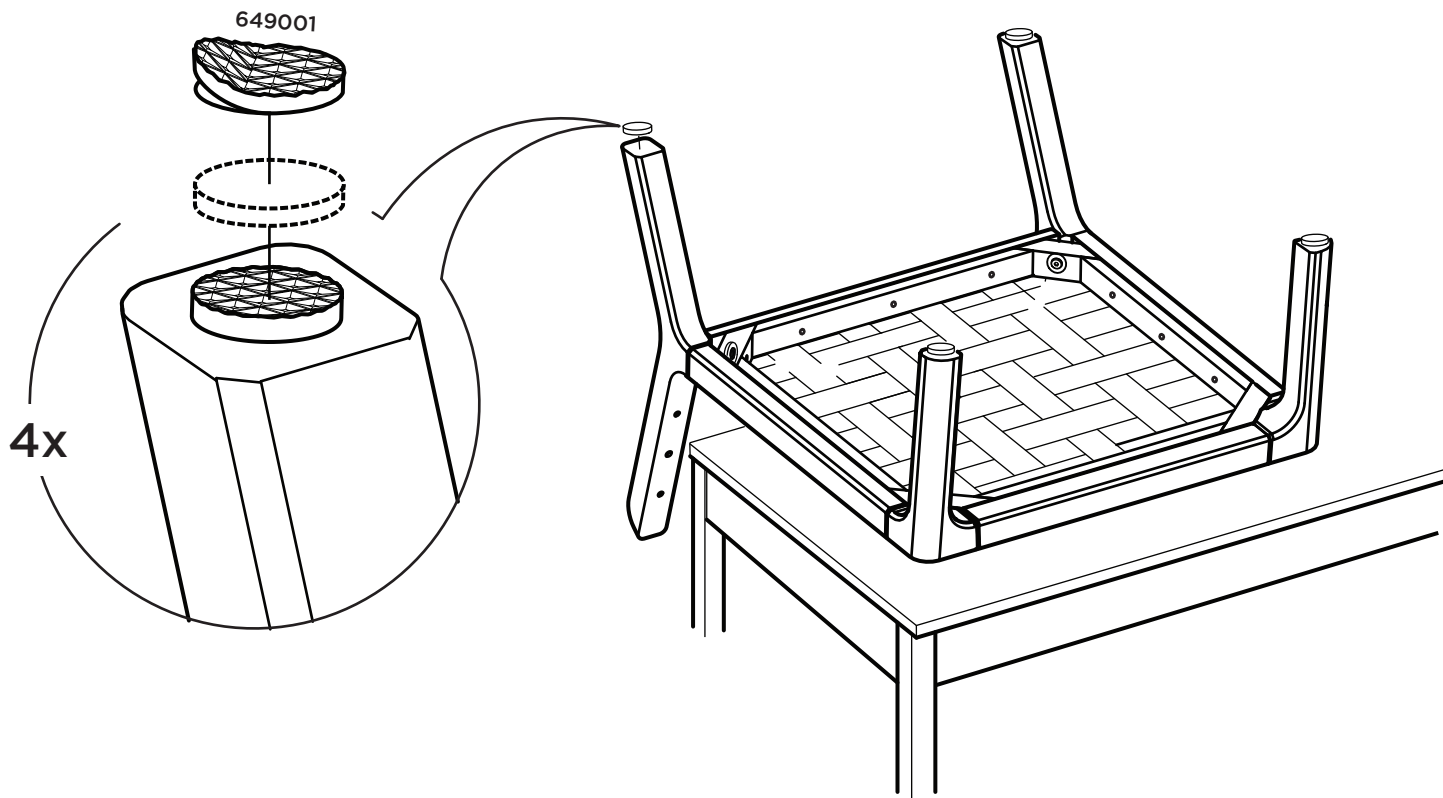
4



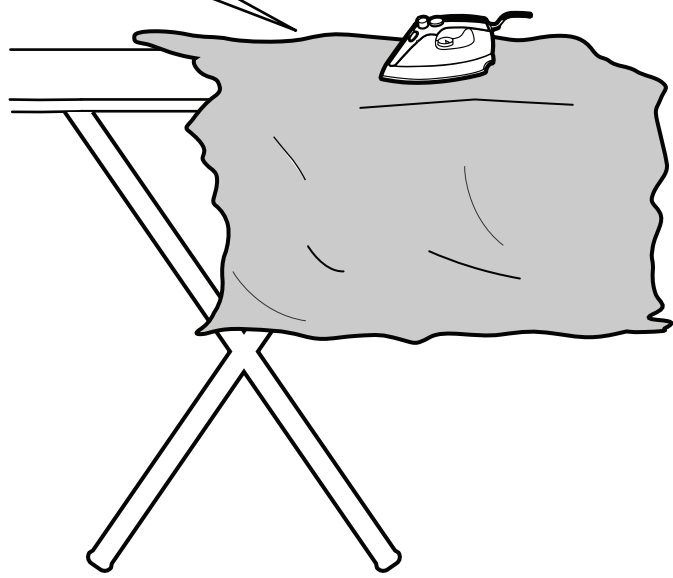
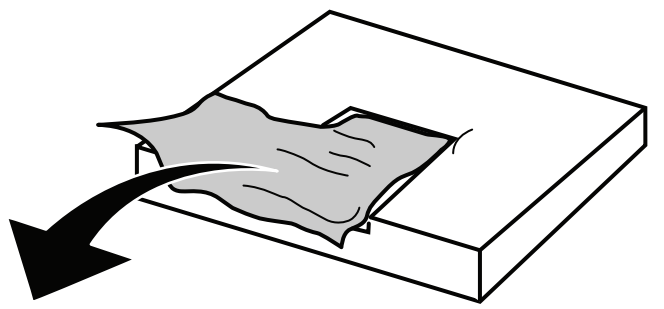
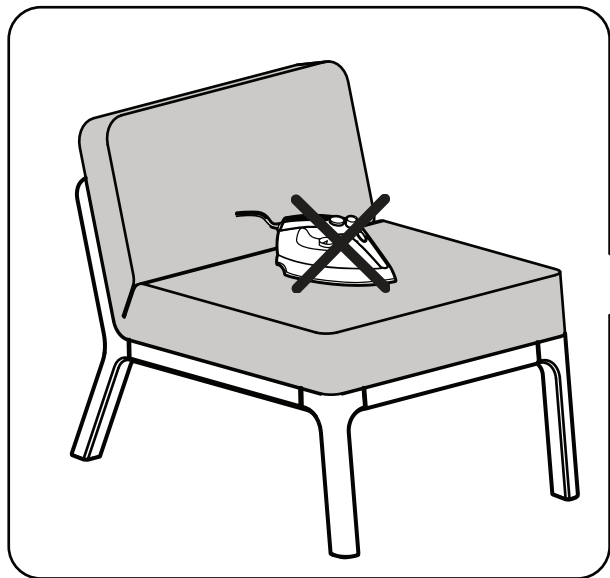
5



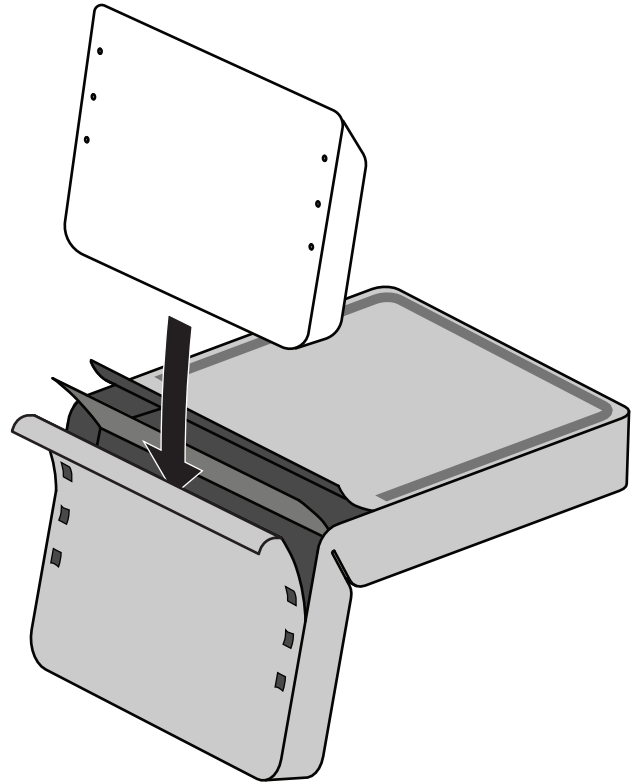
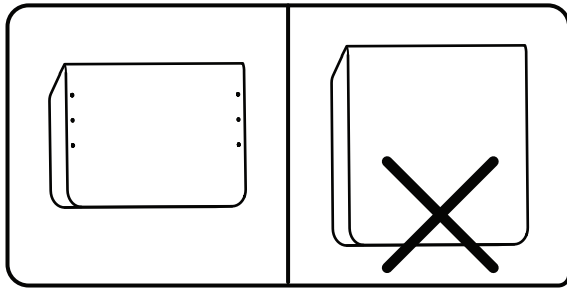
6



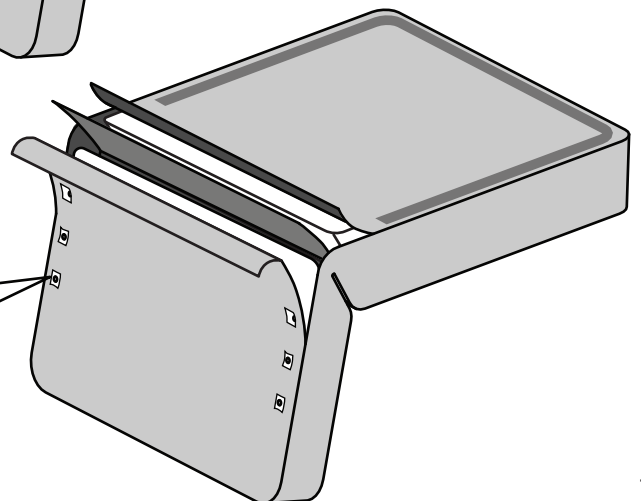
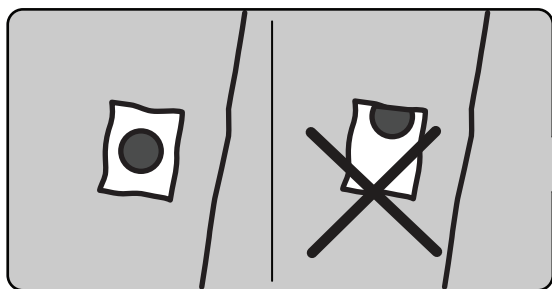
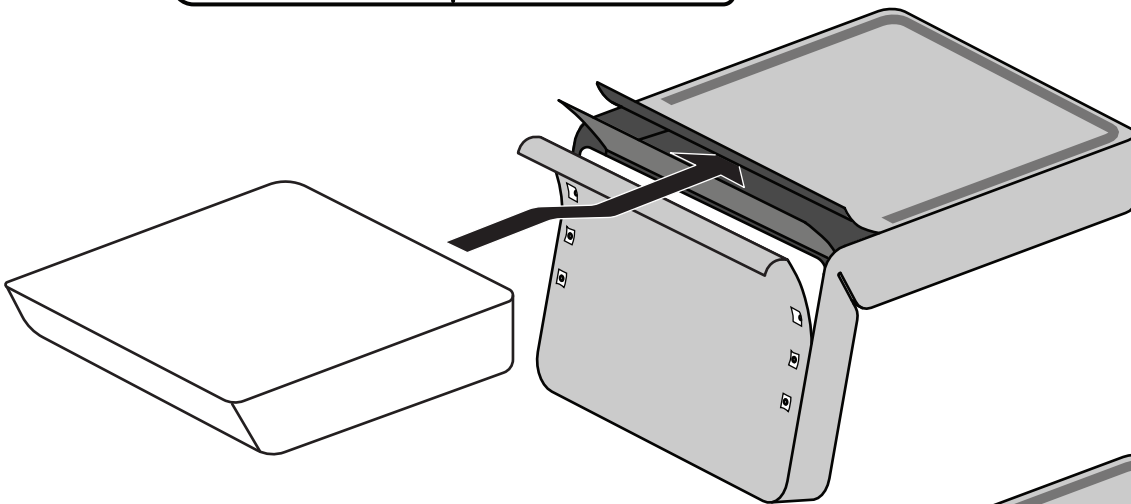
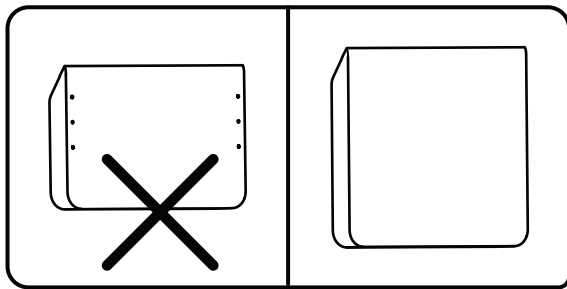
i



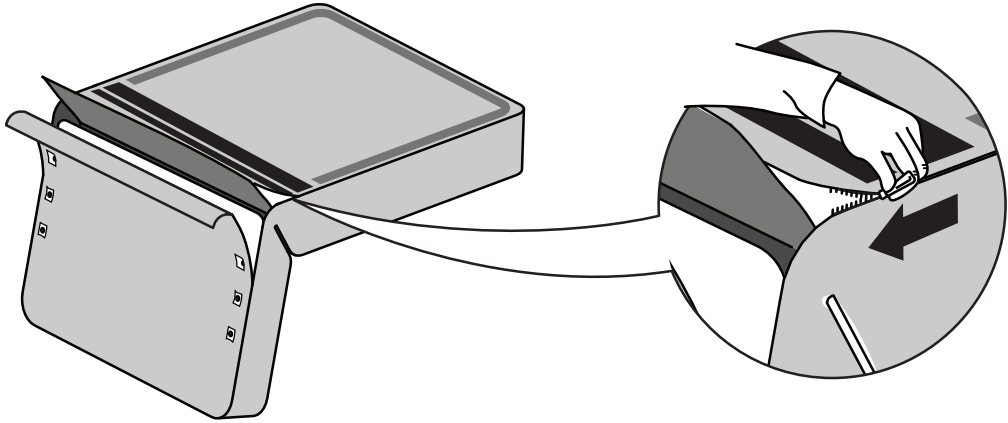
7



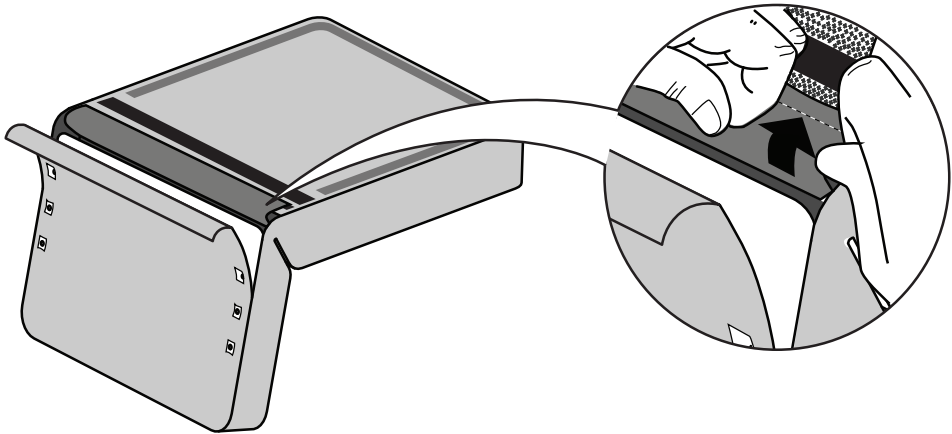
8



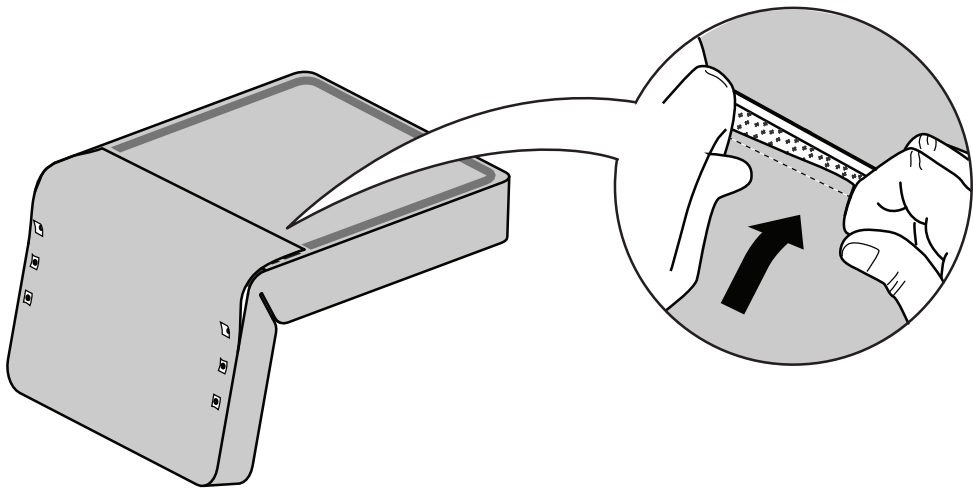
9



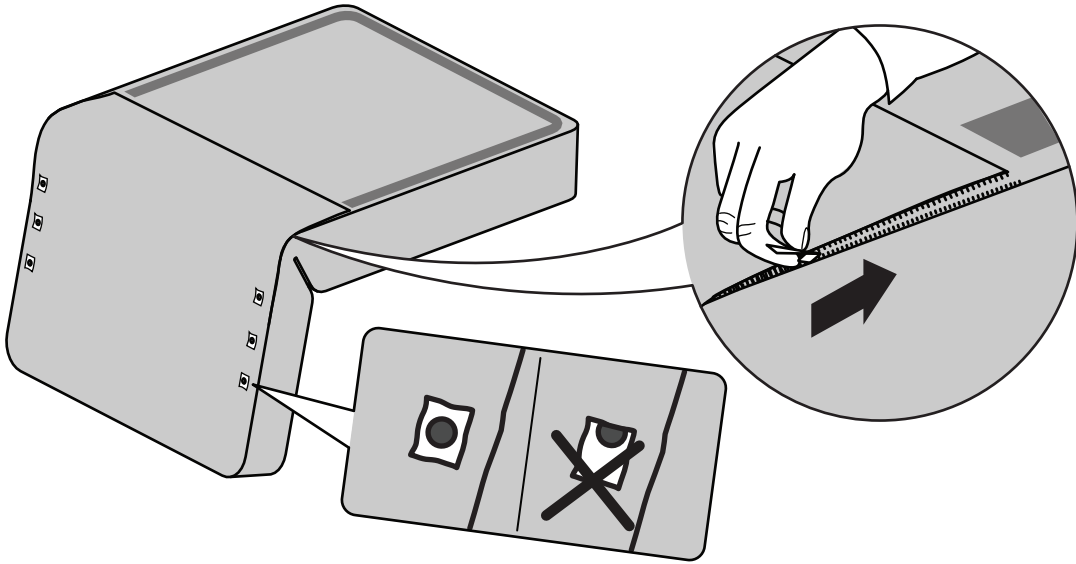
10



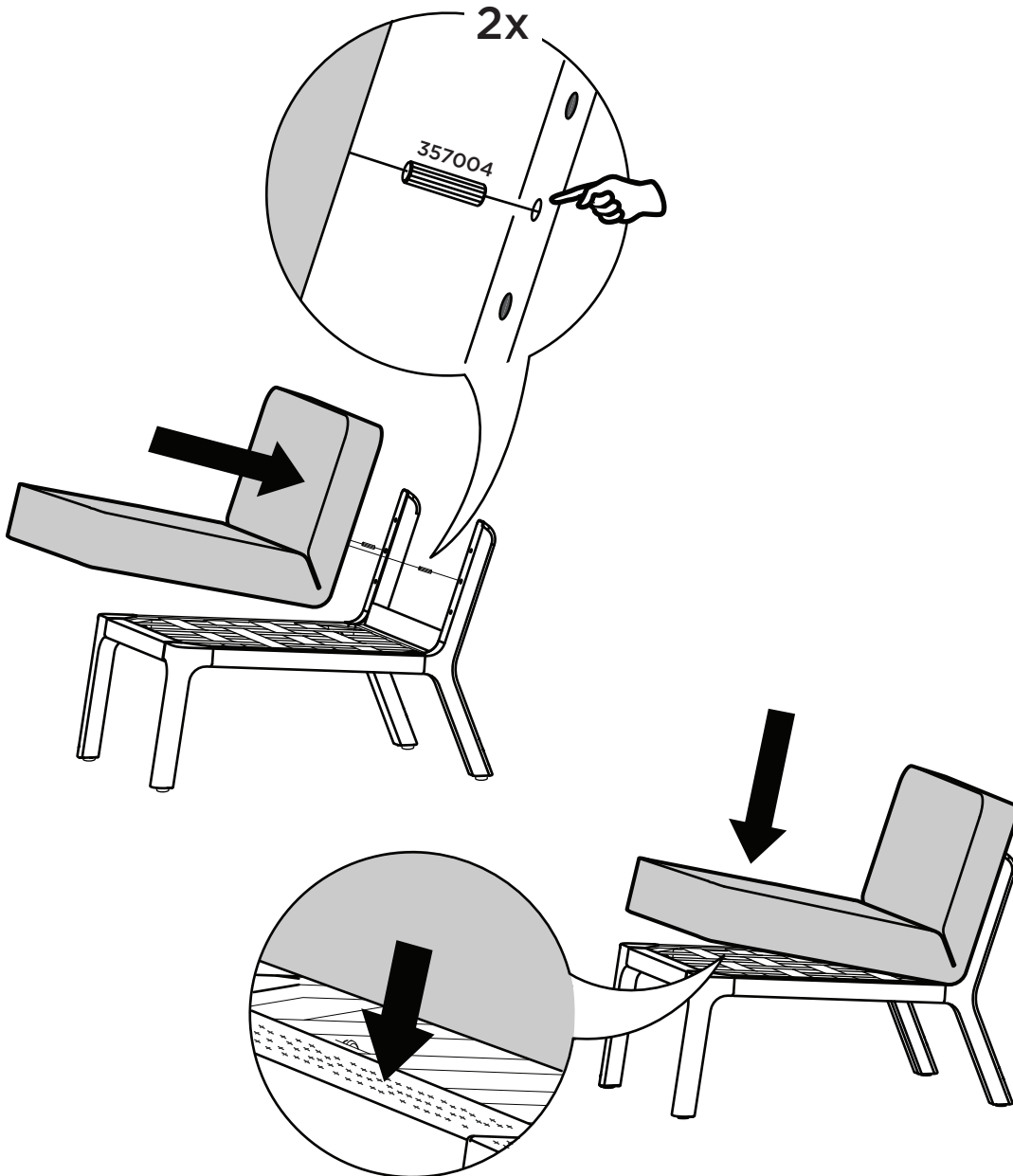
11



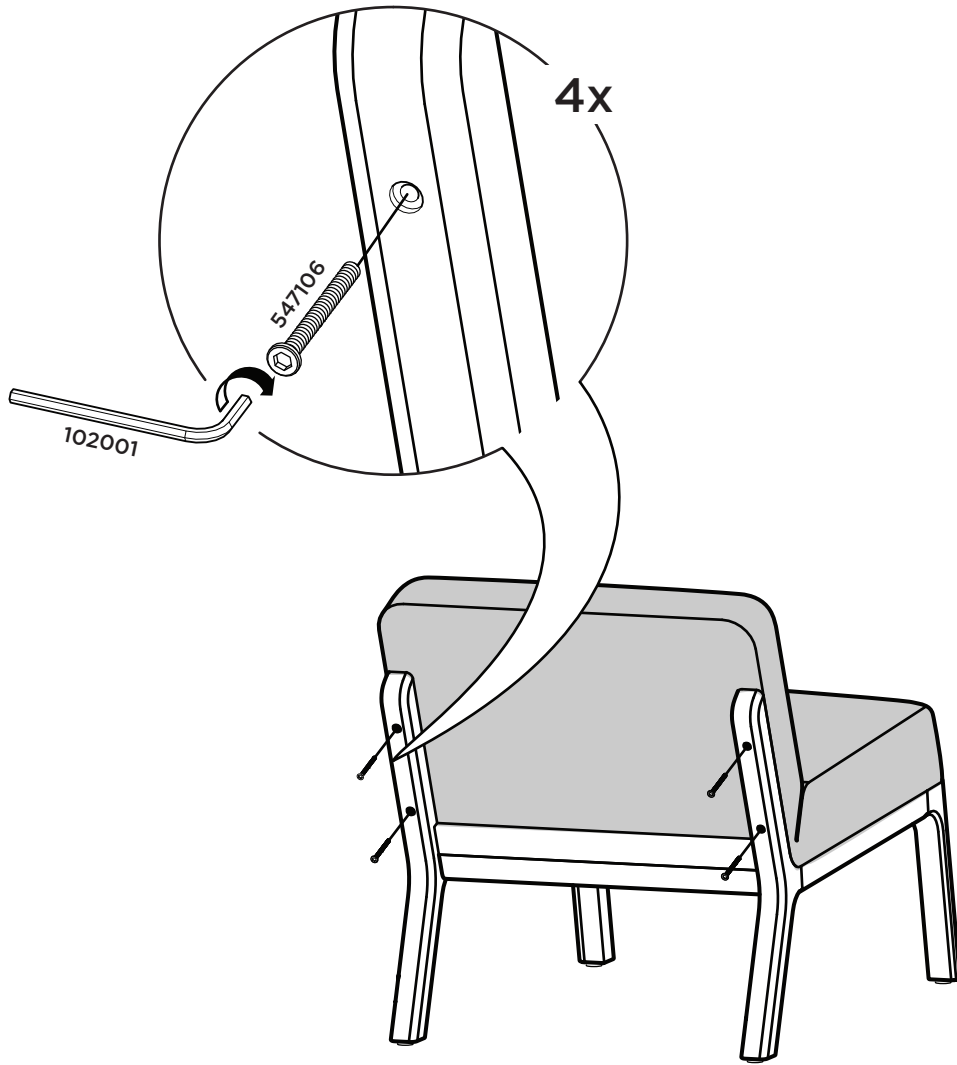
12



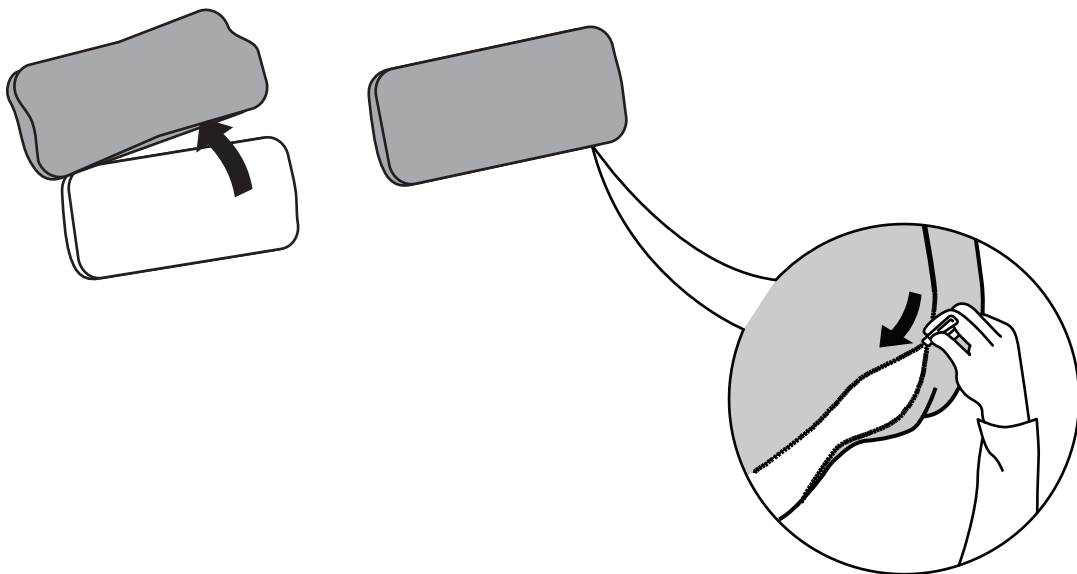
13

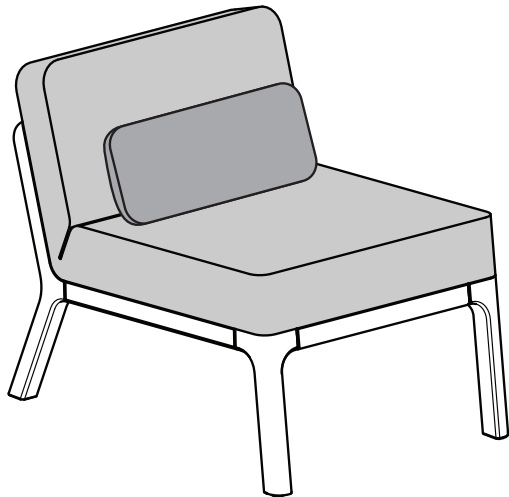
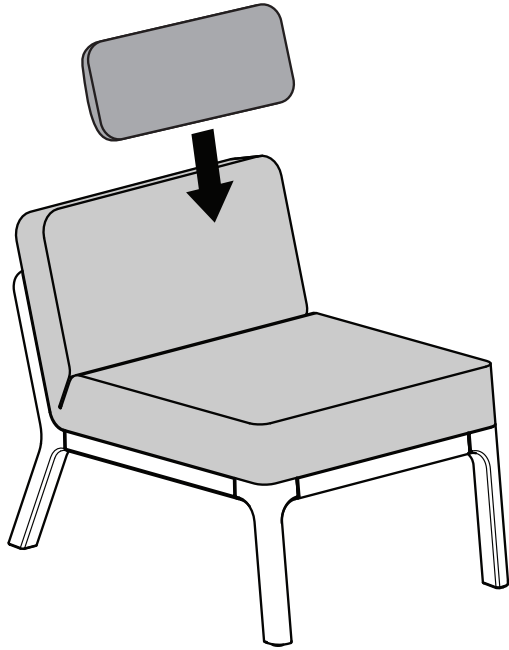


14



15





metercube