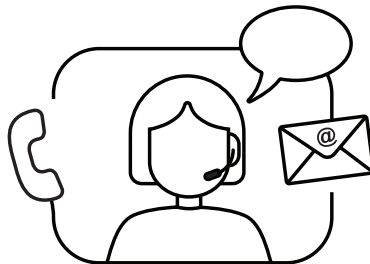
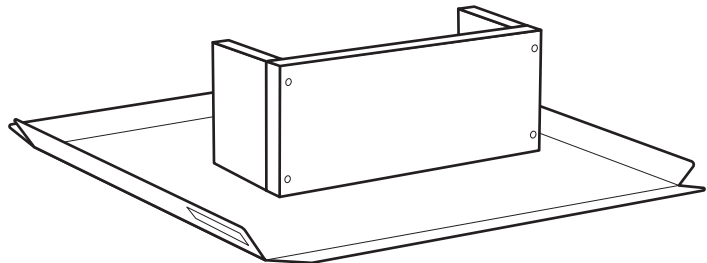
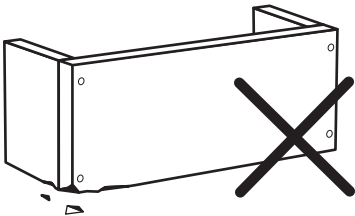
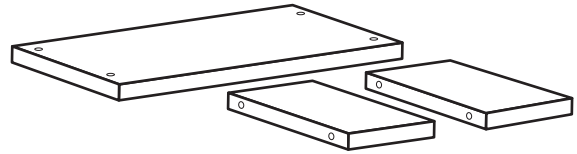
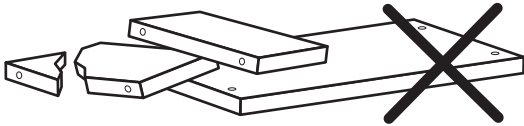


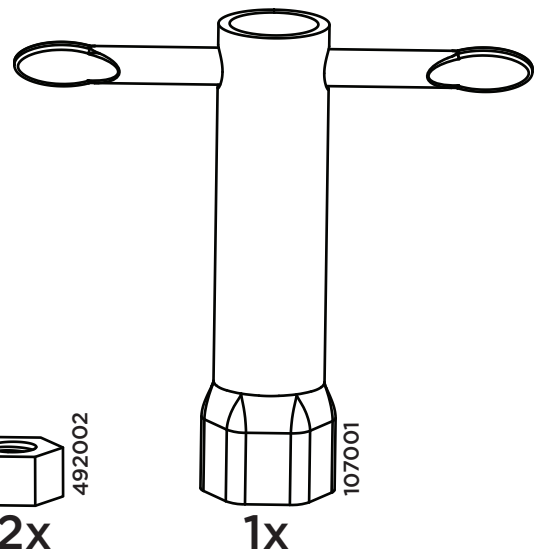
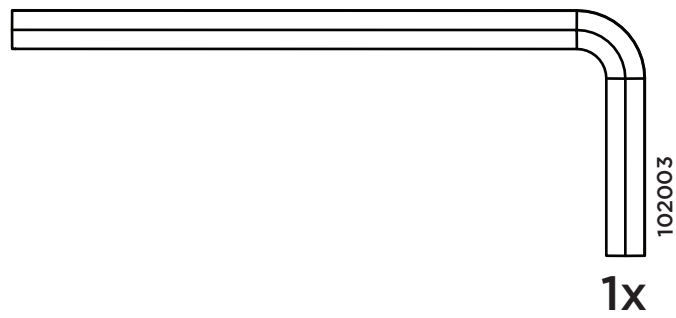
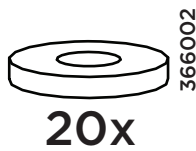
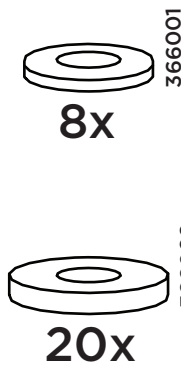
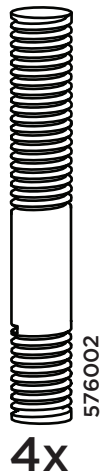
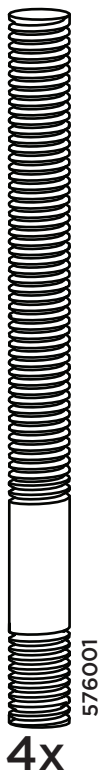
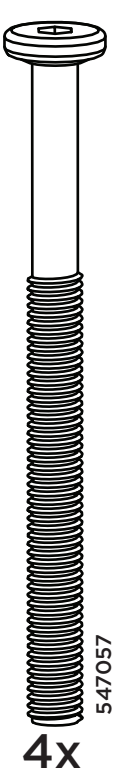
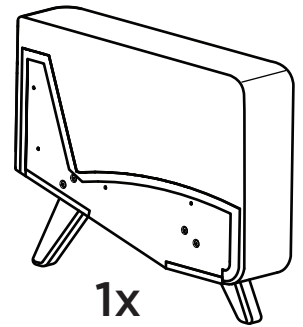
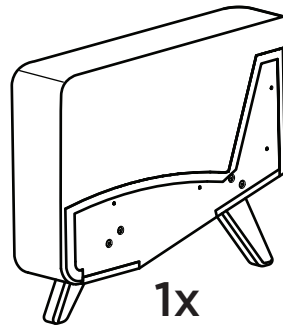
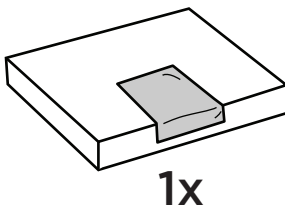
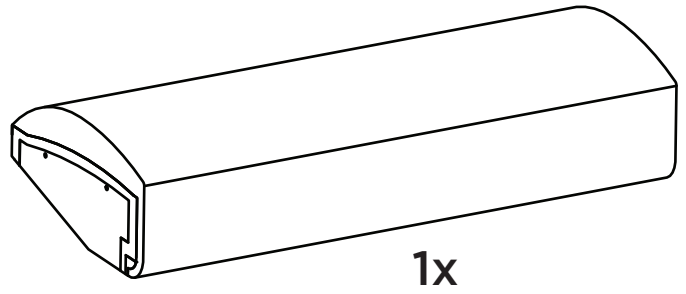
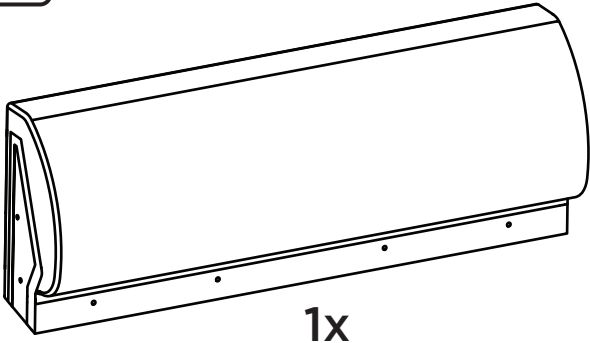
resonance

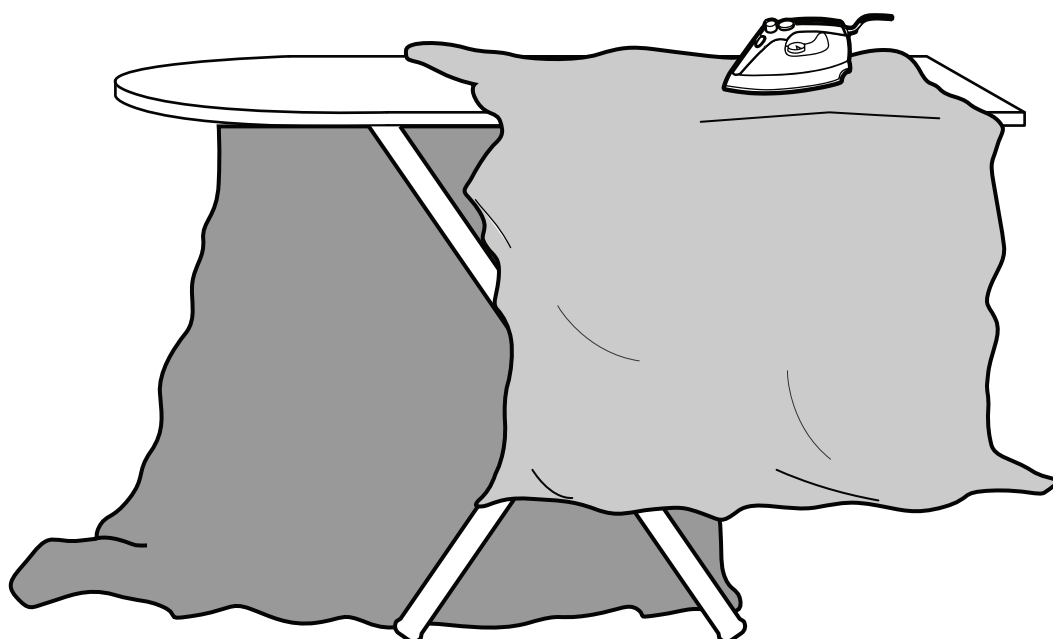
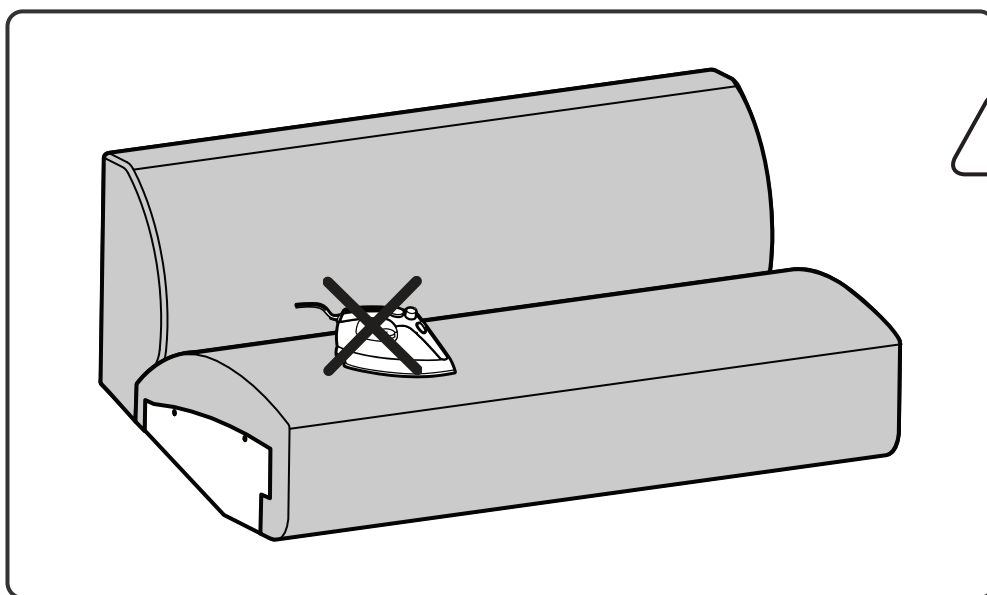
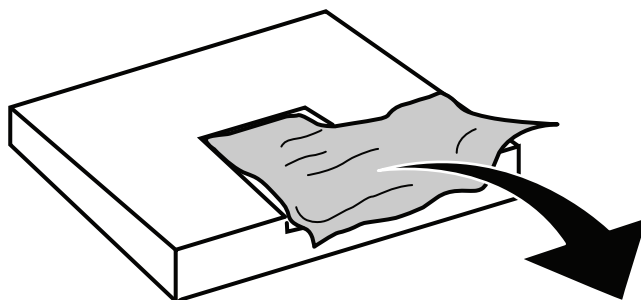
125.005.01
125.005.02
125.005.03



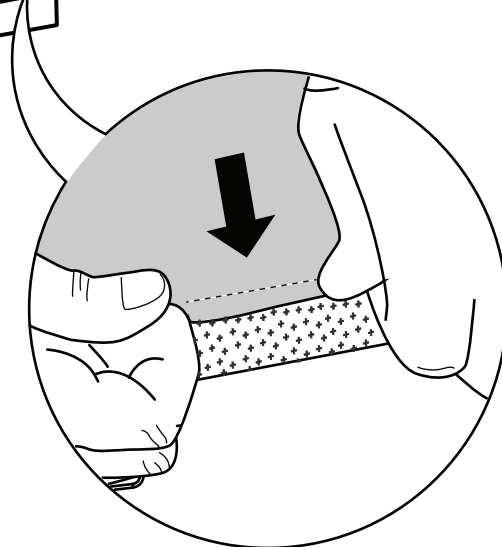
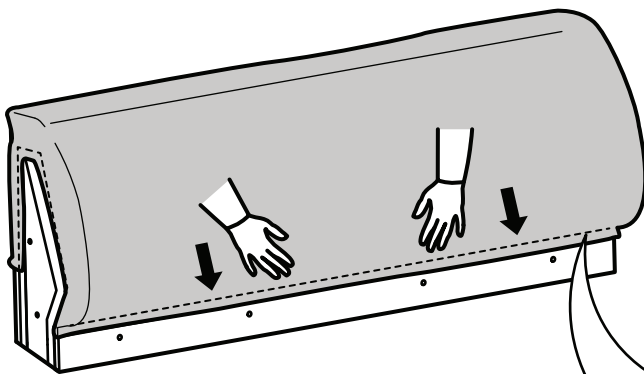
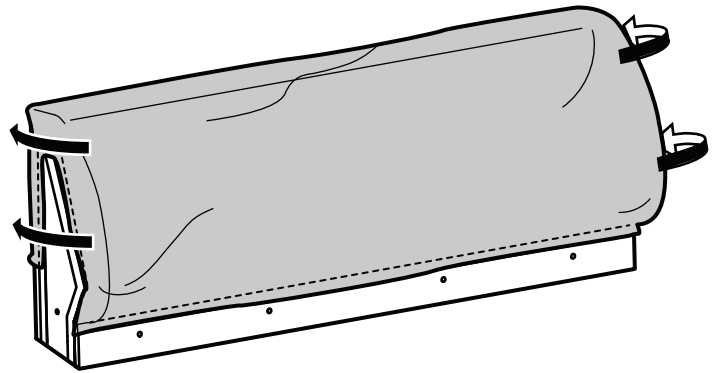
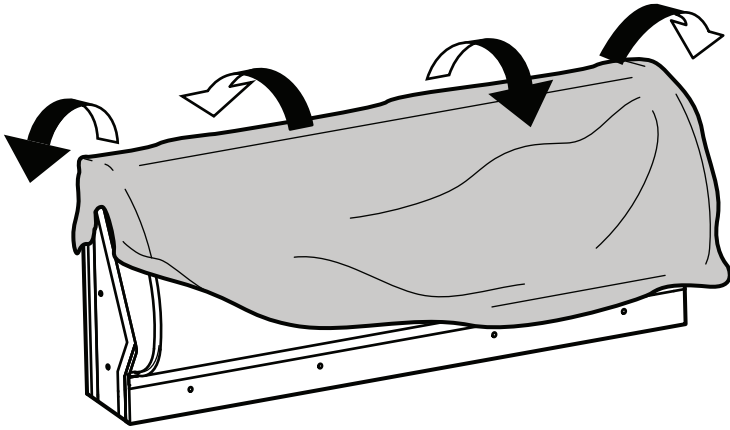
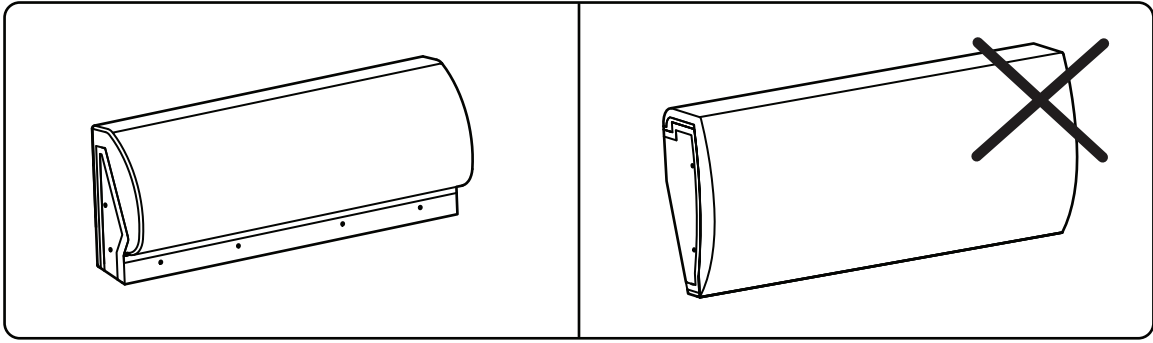
2x

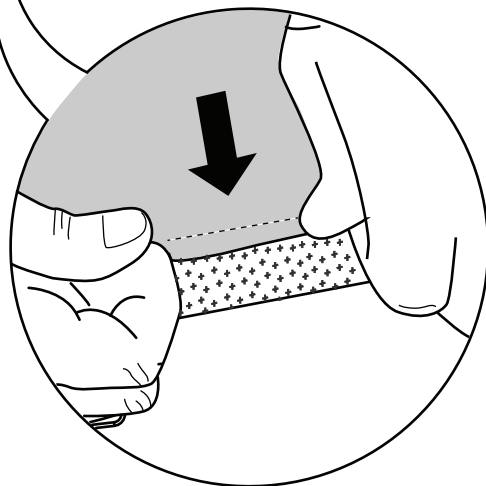
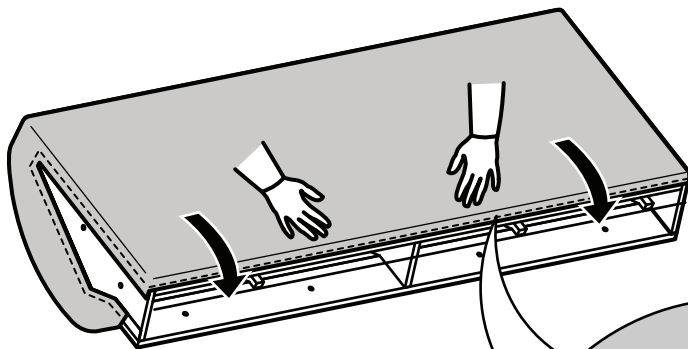
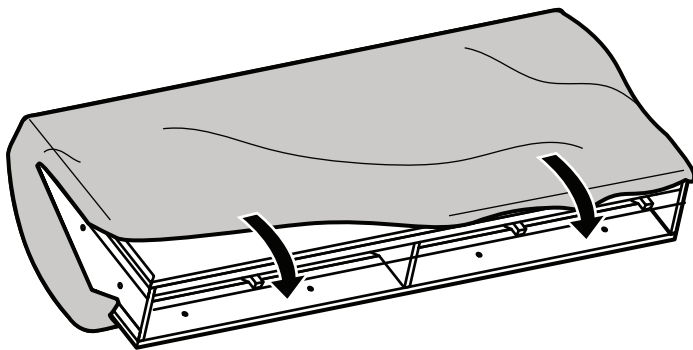
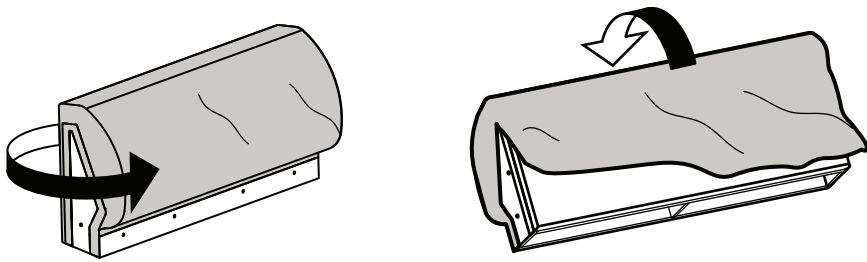




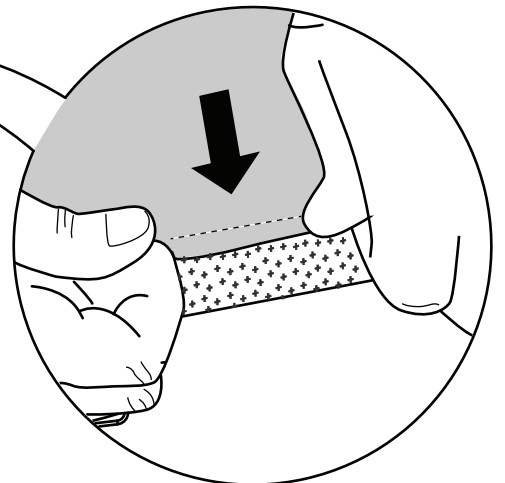
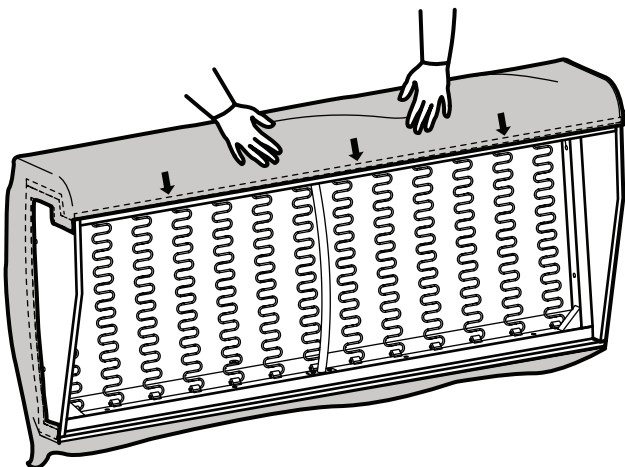
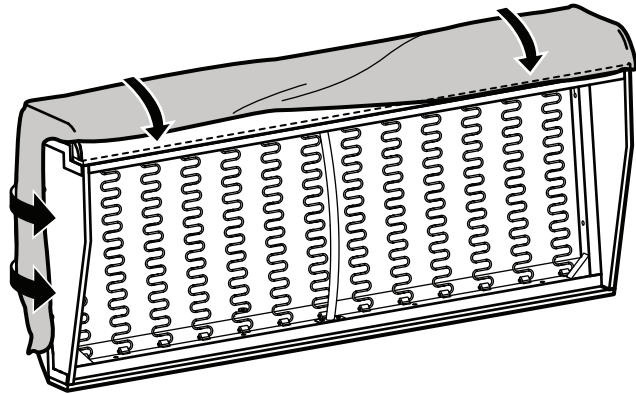
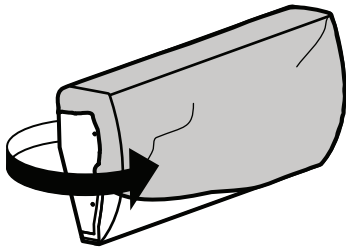
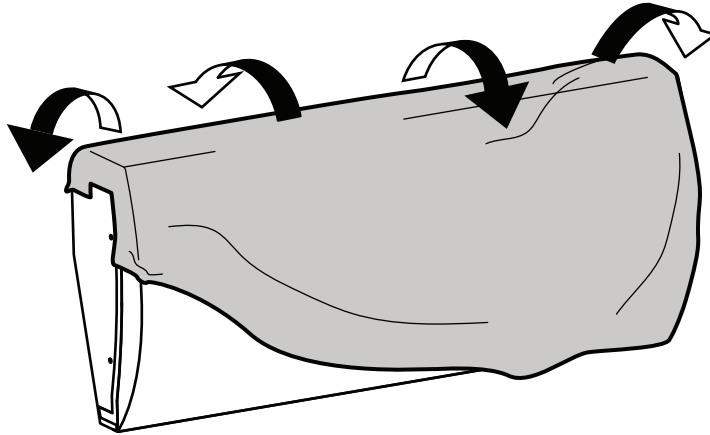
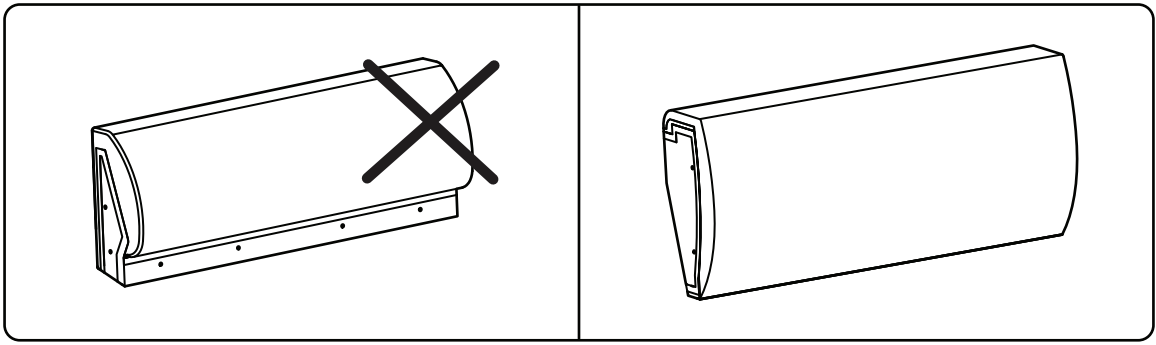


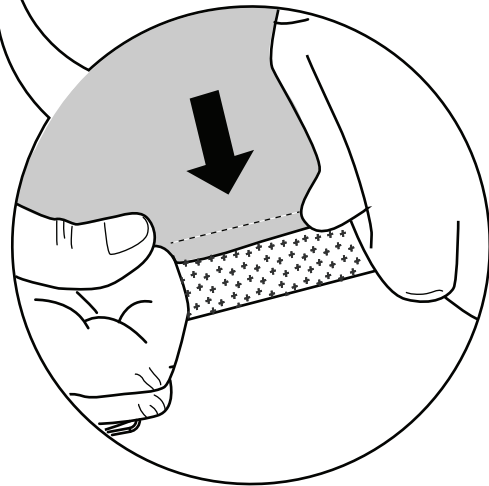
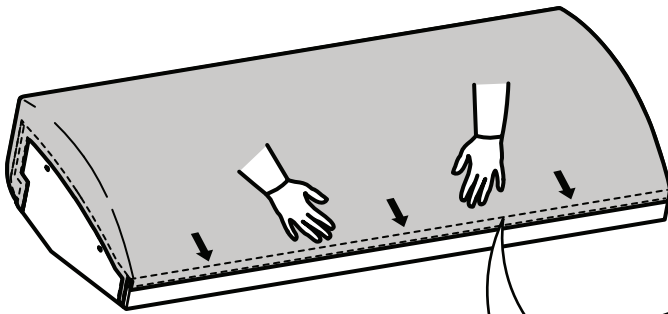
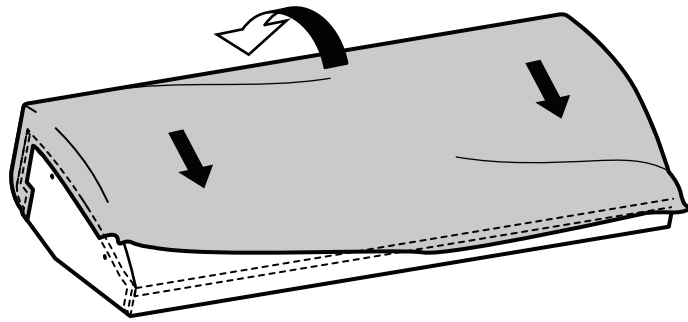
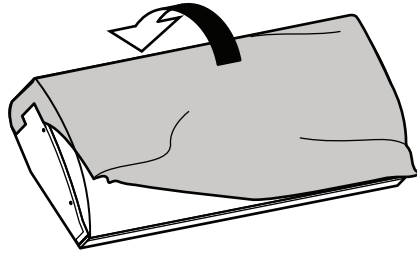
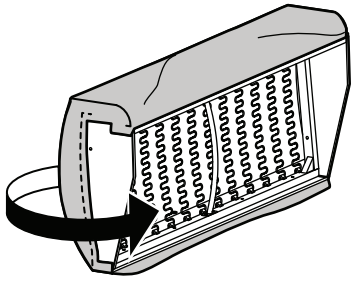
1



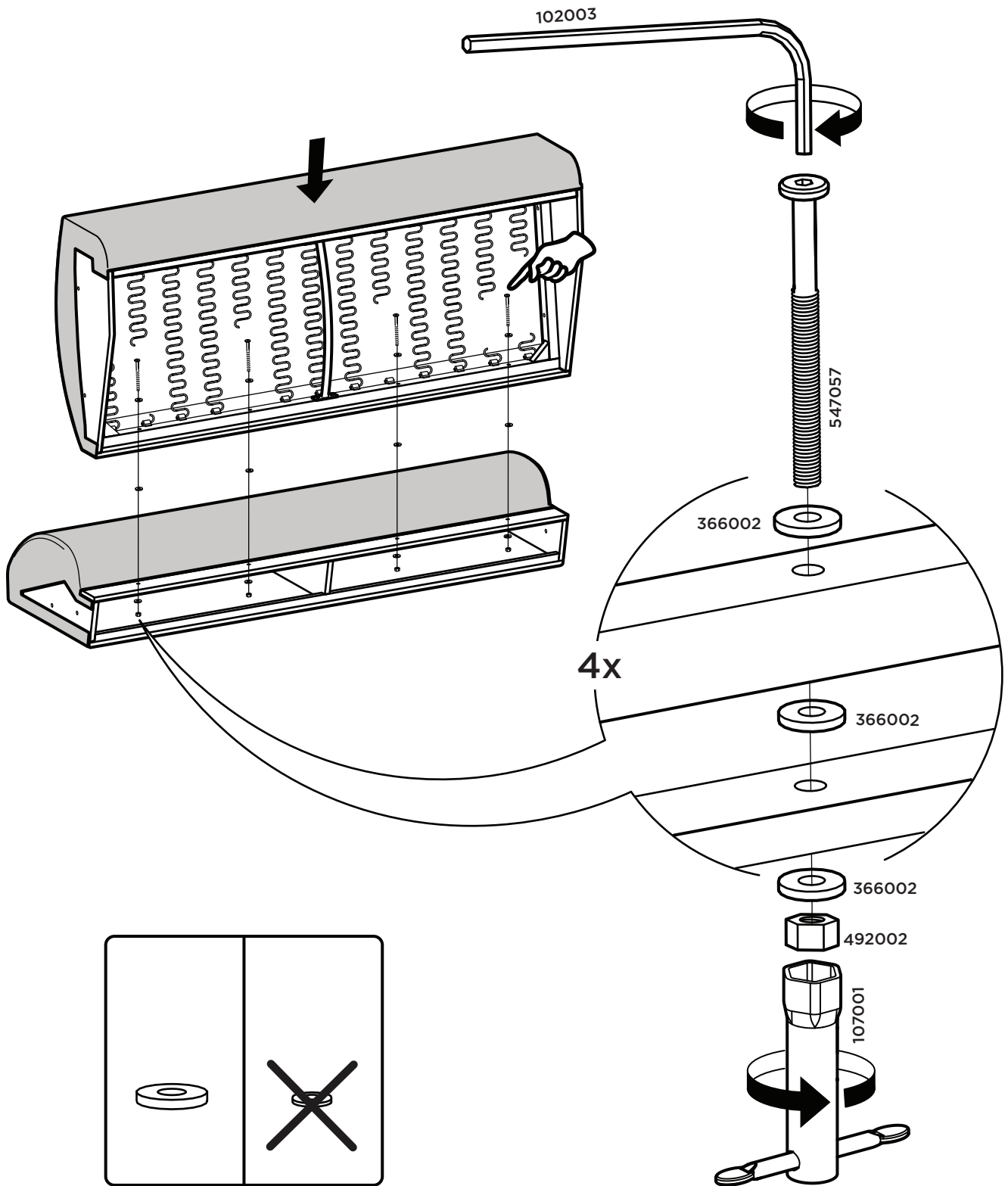


2

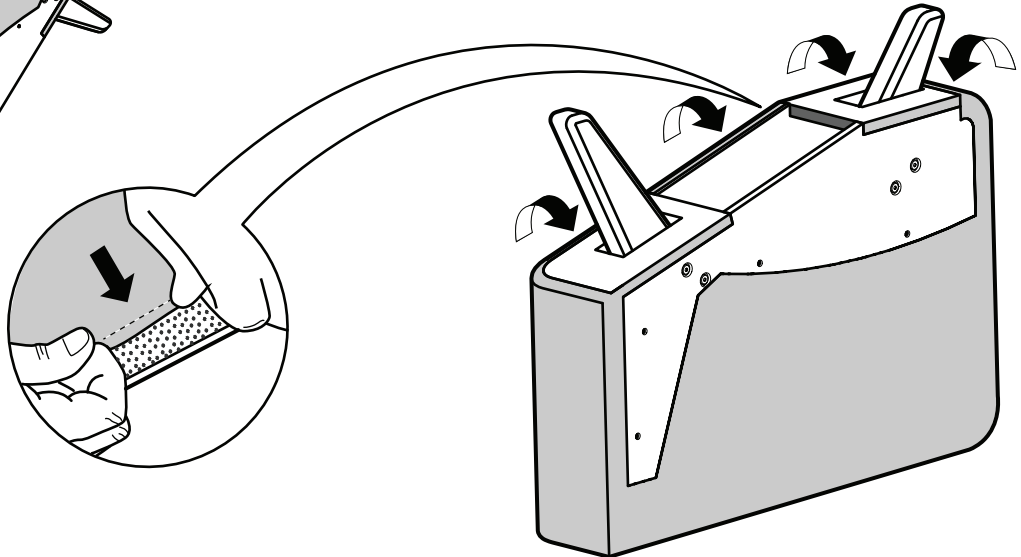
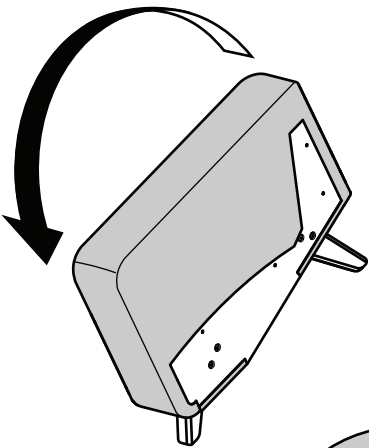
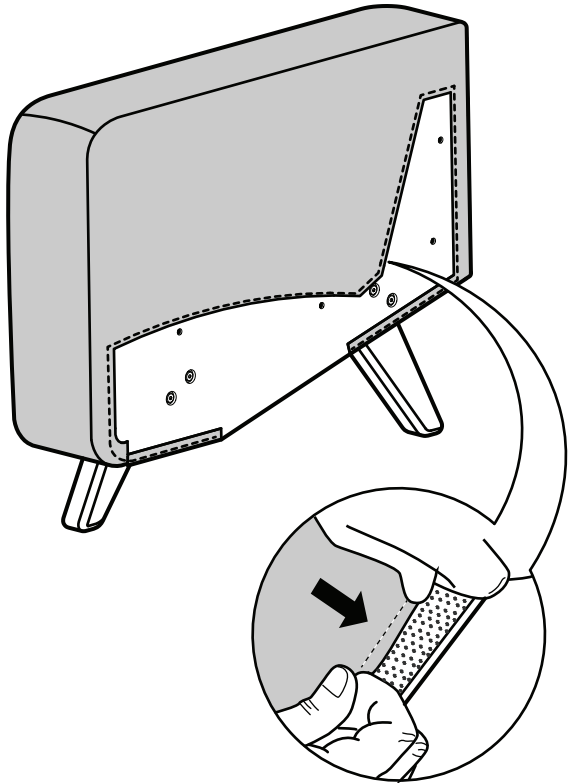
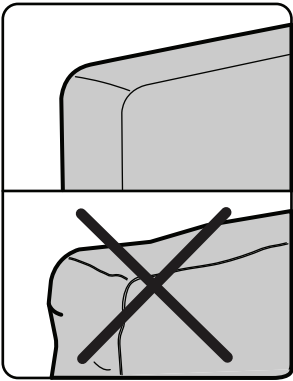
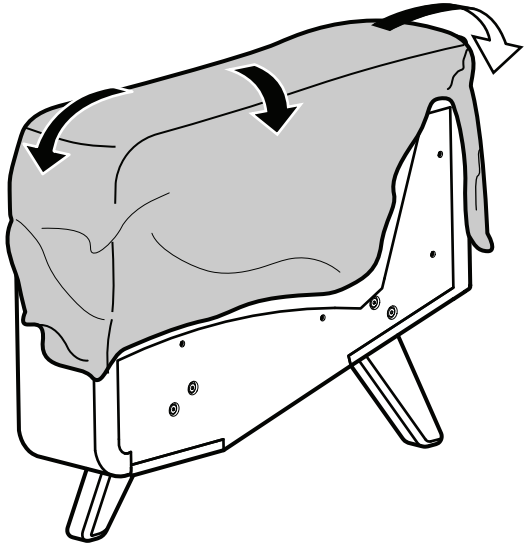
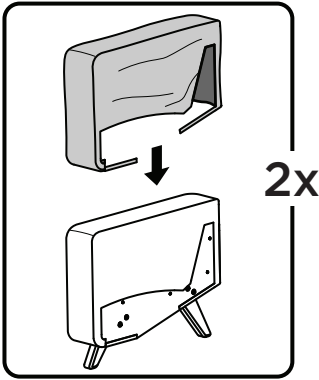




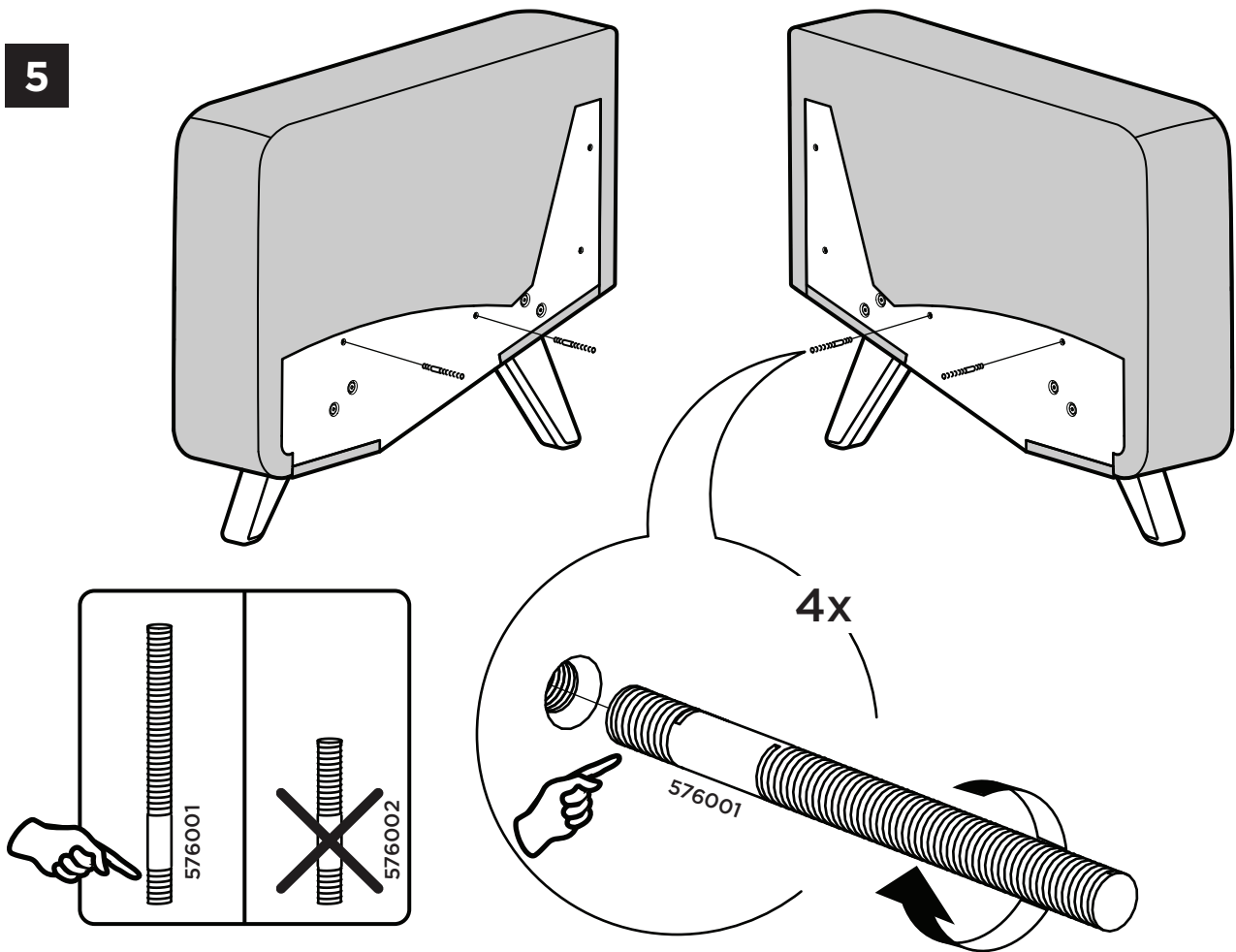
3



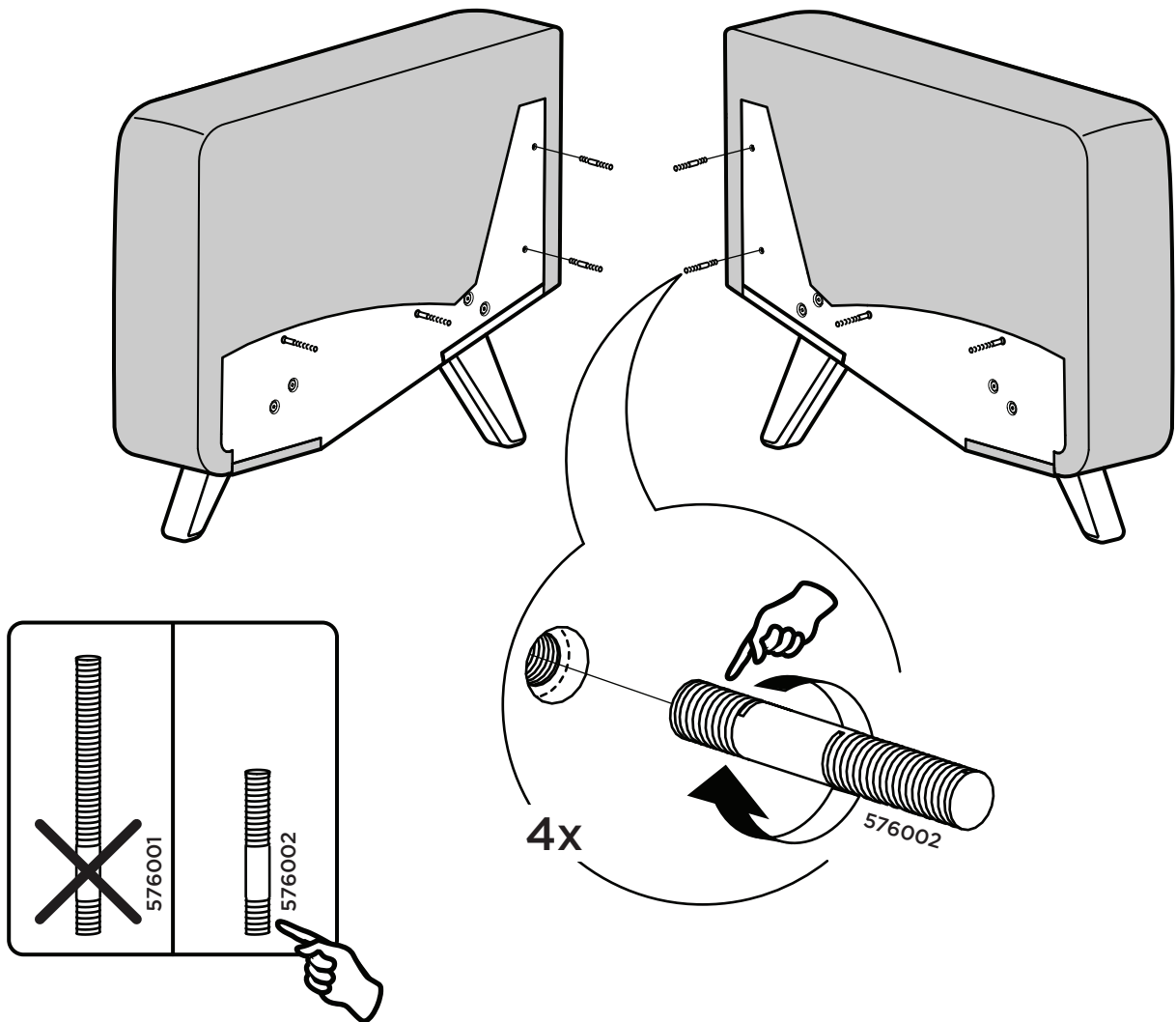
4

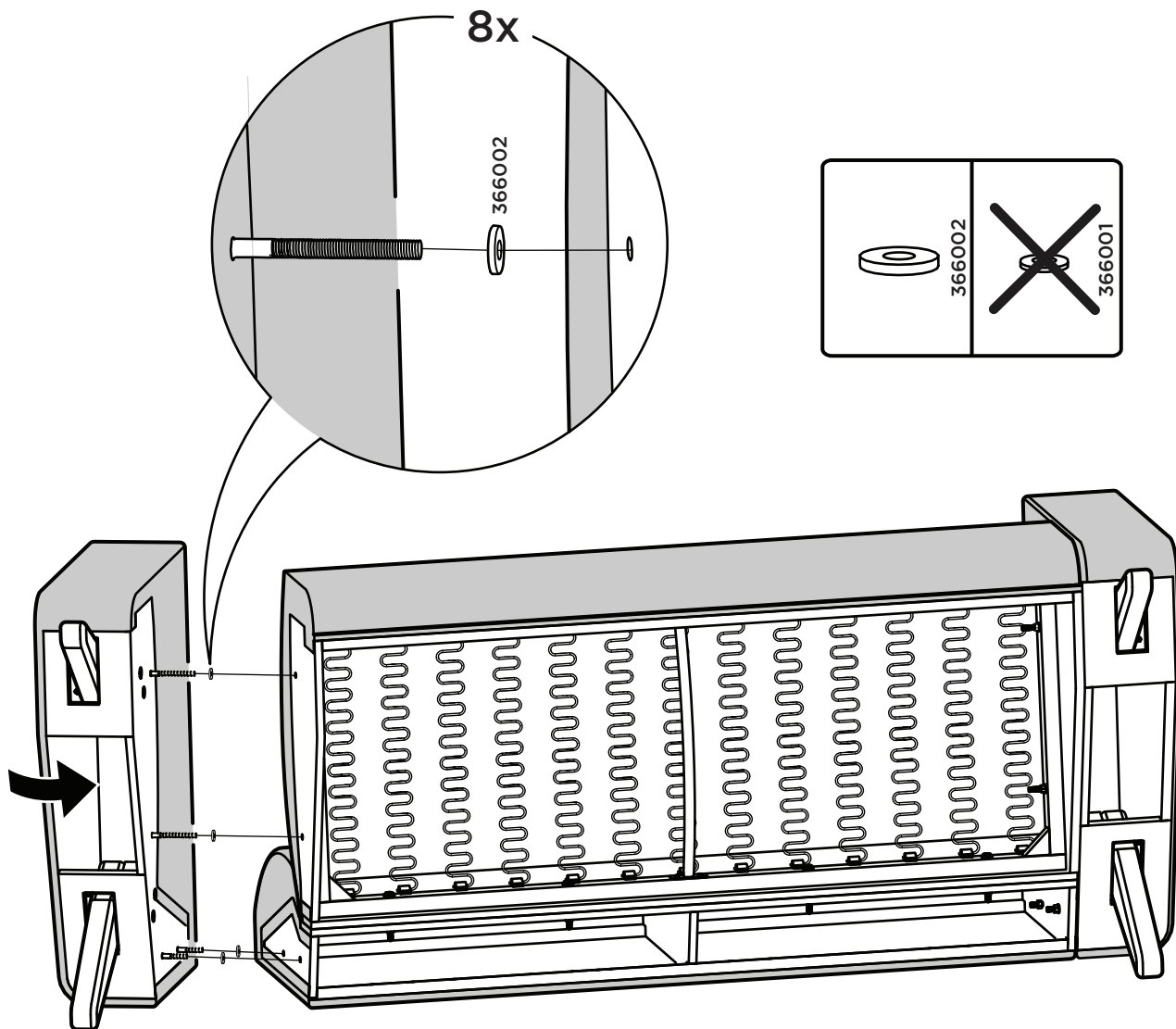


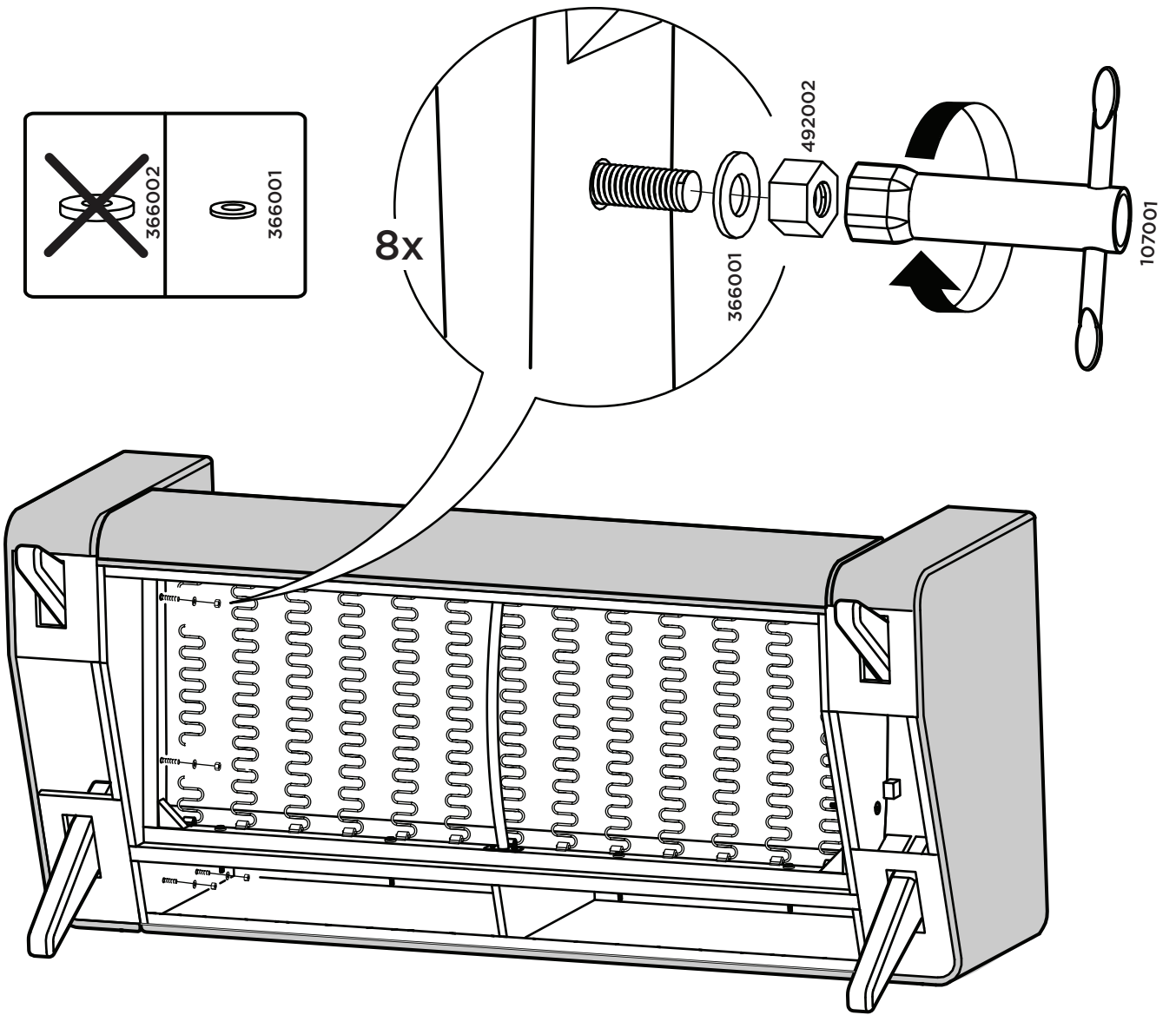
5

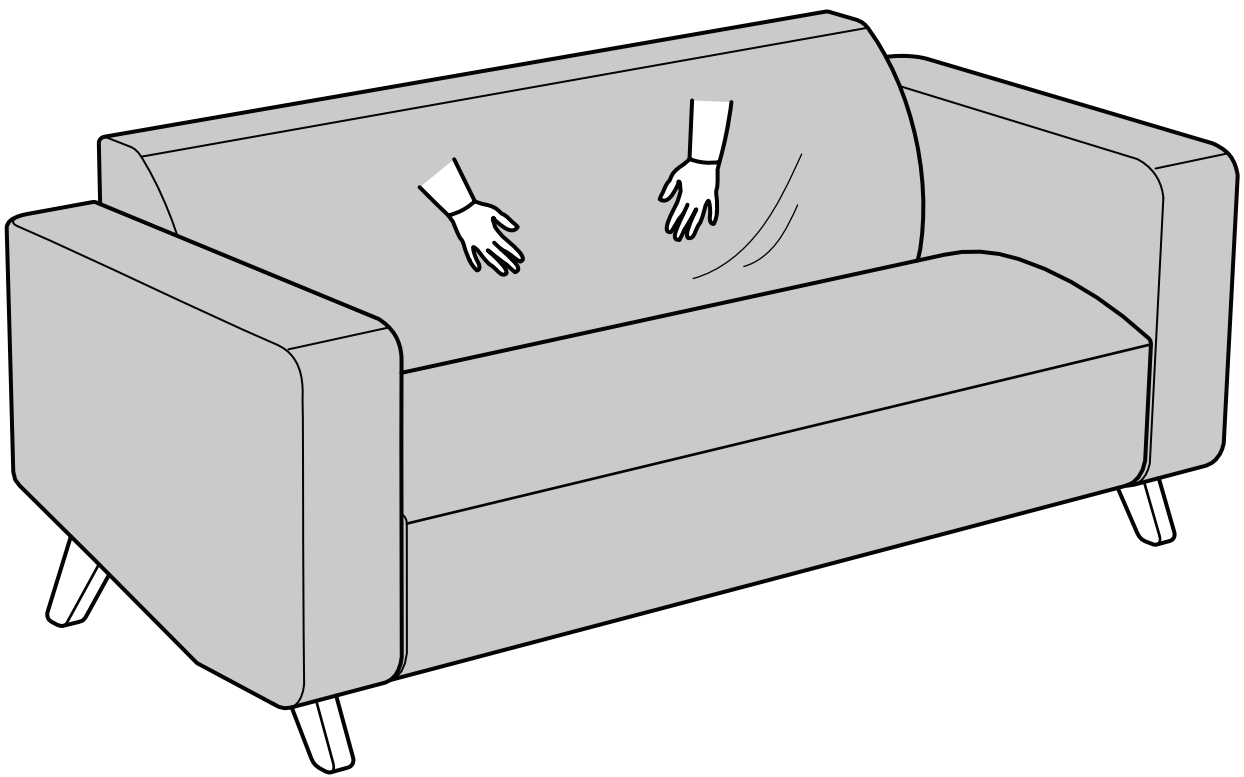


6









metercube