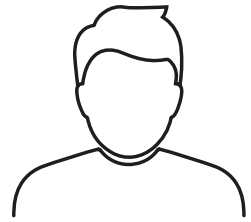
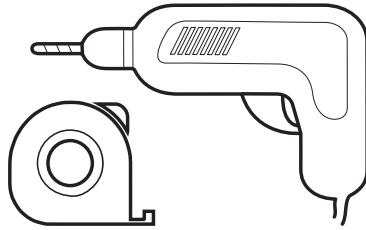
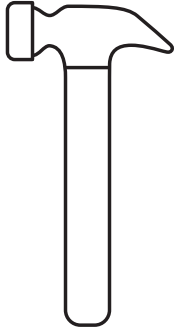


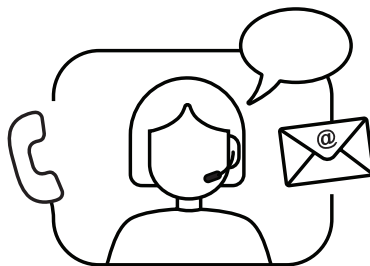
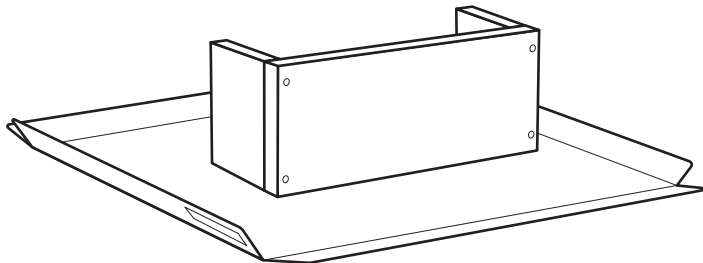
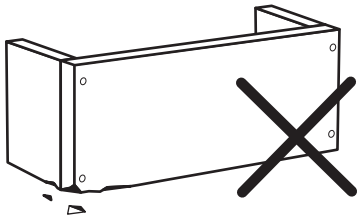
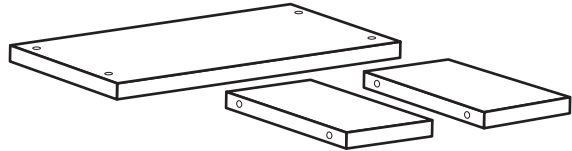
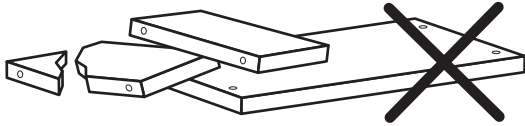
# ambry

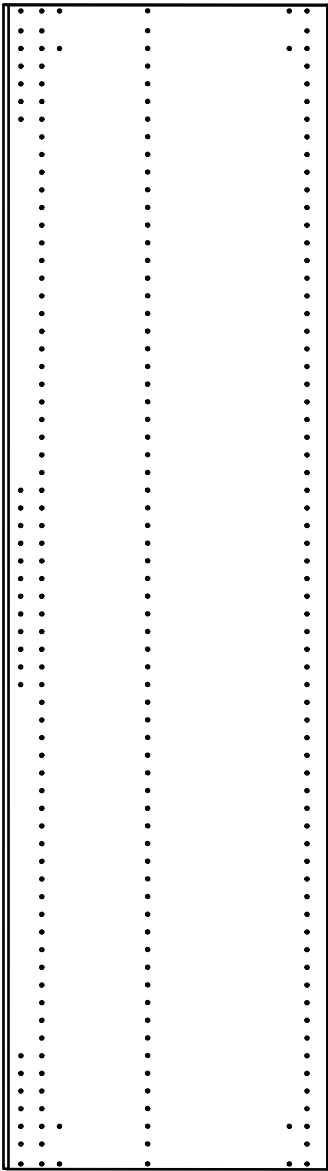
- 135.001.01
- 135.001.02
- 135.001.03
- 135.001.04
- 135.001.05
- 135.001.06
- 135.001.07
- 135.001.08
- 135.001.09
- 135.001.10
- 135.001.11
- 135.001.12

metercube

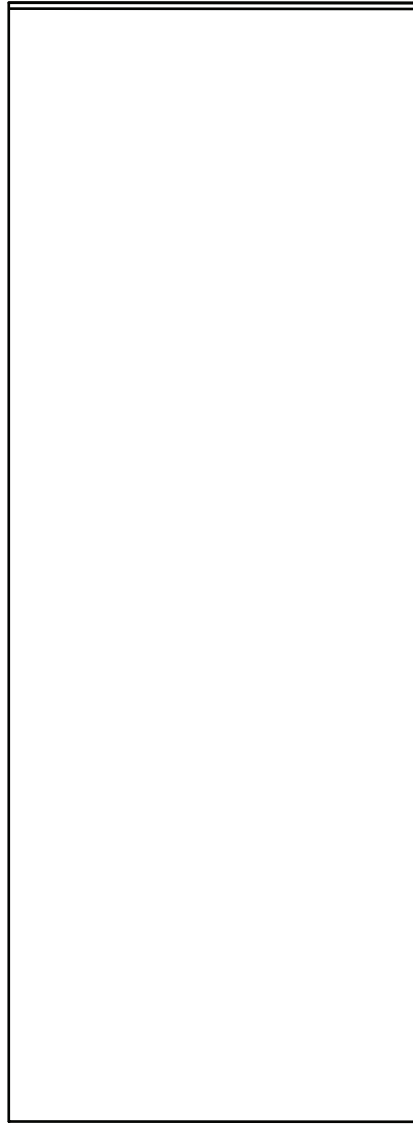


2x

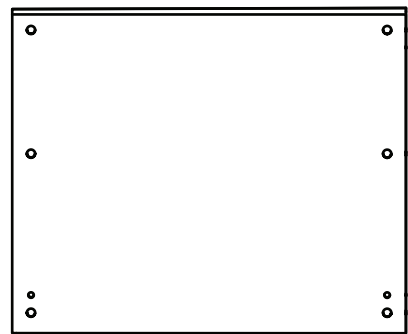




2x



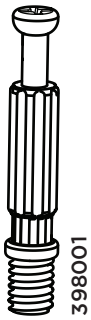
1x



2x



2x



398001

12x



489001

50x



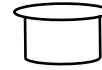
506101

2x



399002

12x



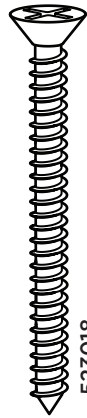
156001

4x



366005

2x



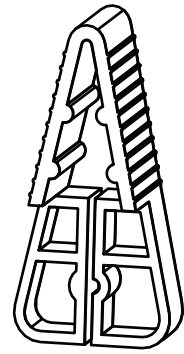
523018

2x



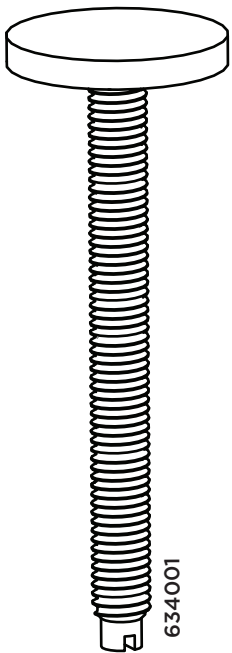
410001

2x



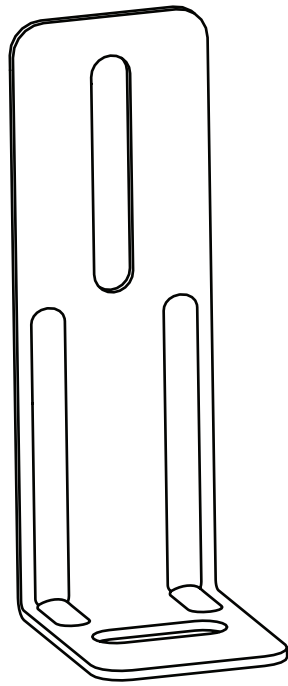
112001

1x



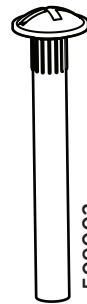
634001

2x



835001

2x



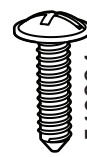
509002

3x



357008

16x



540004

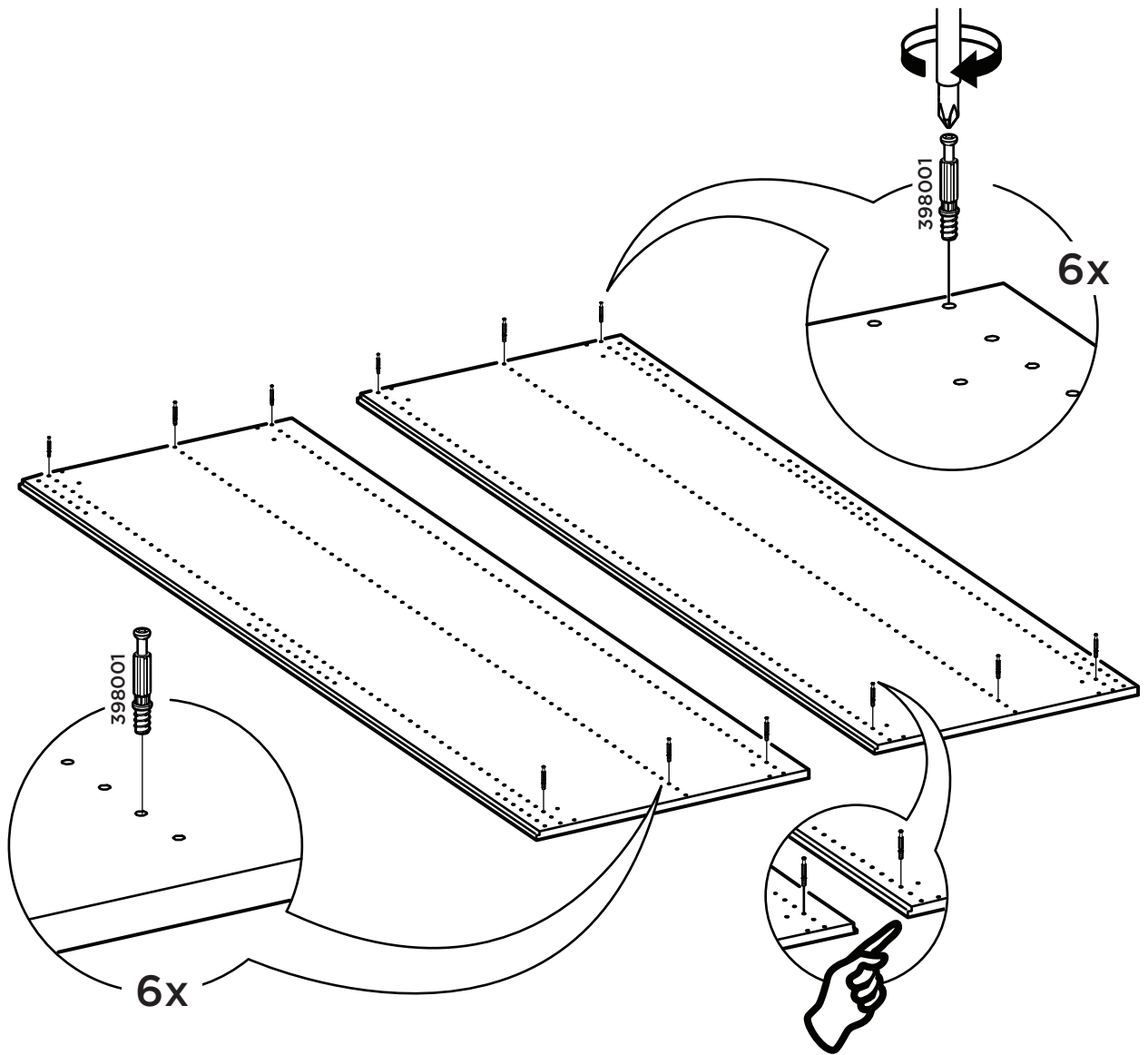
3x



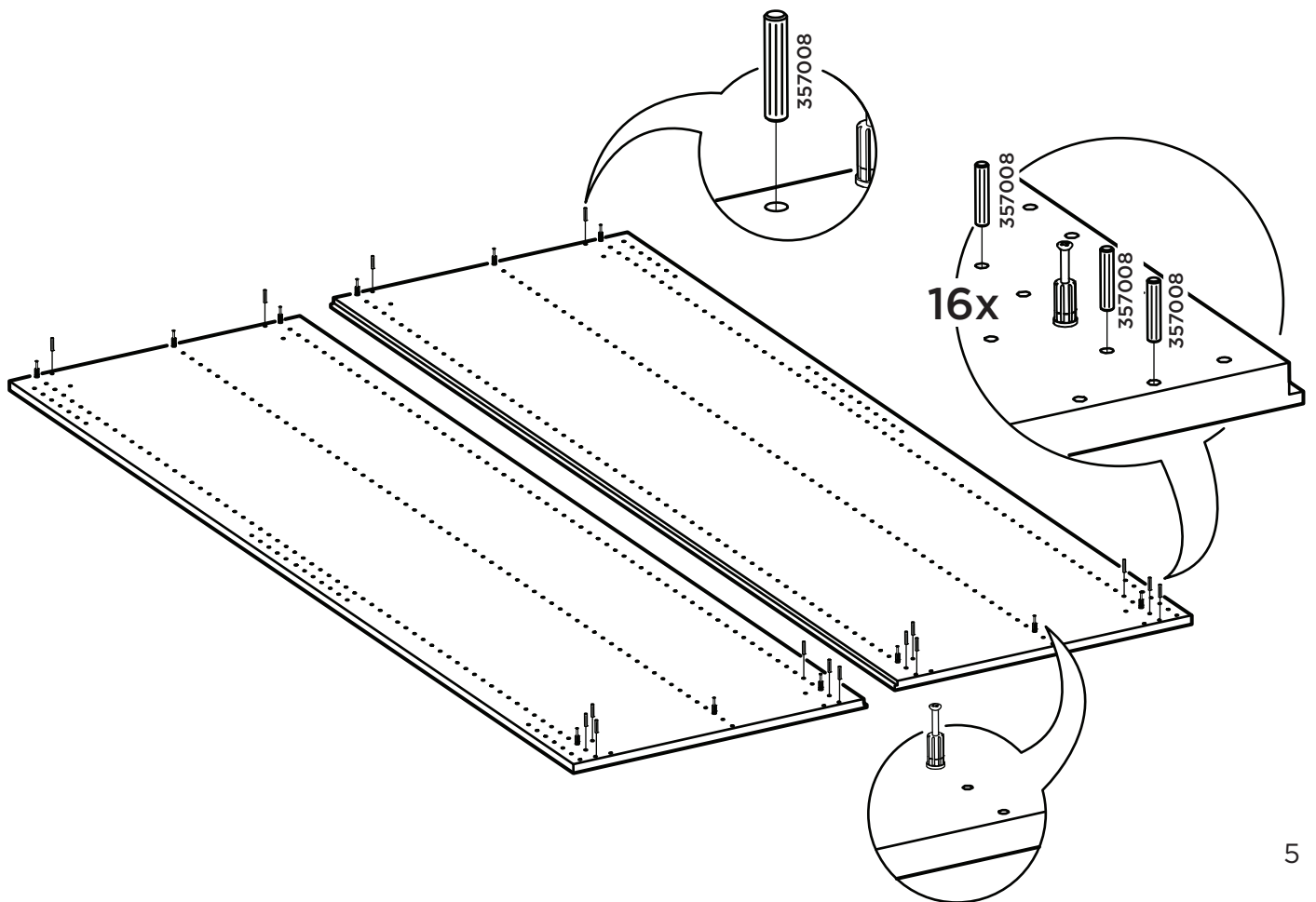
526009

2x

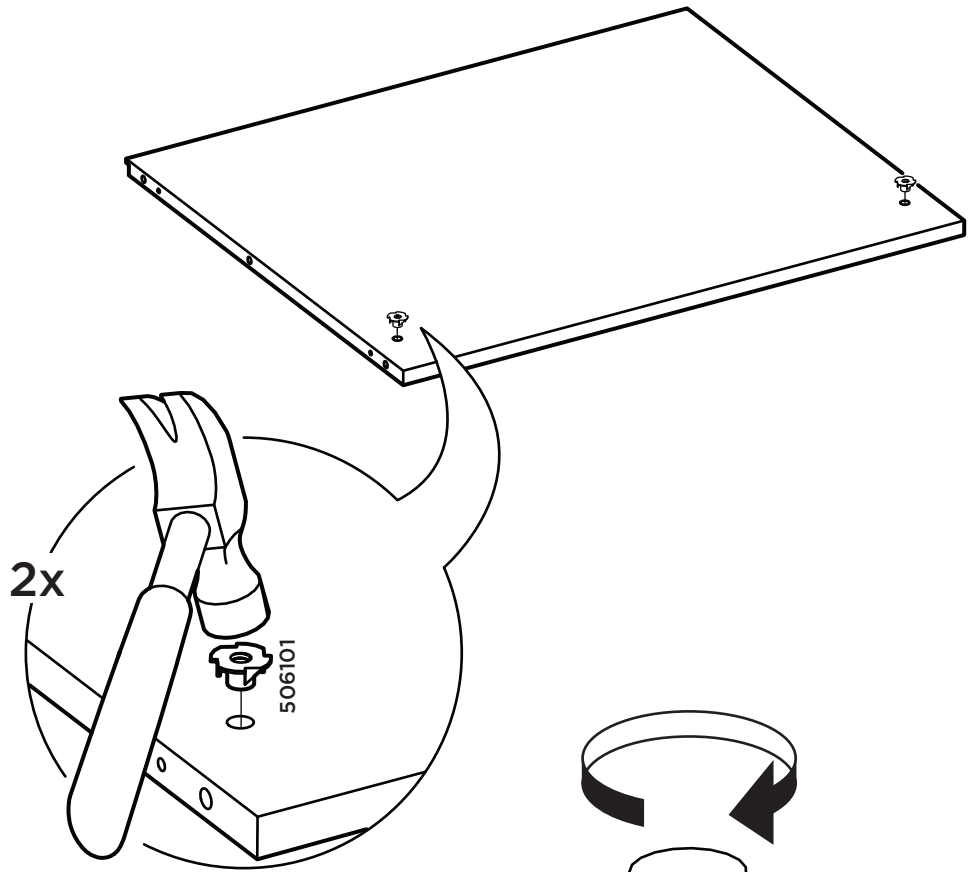
1



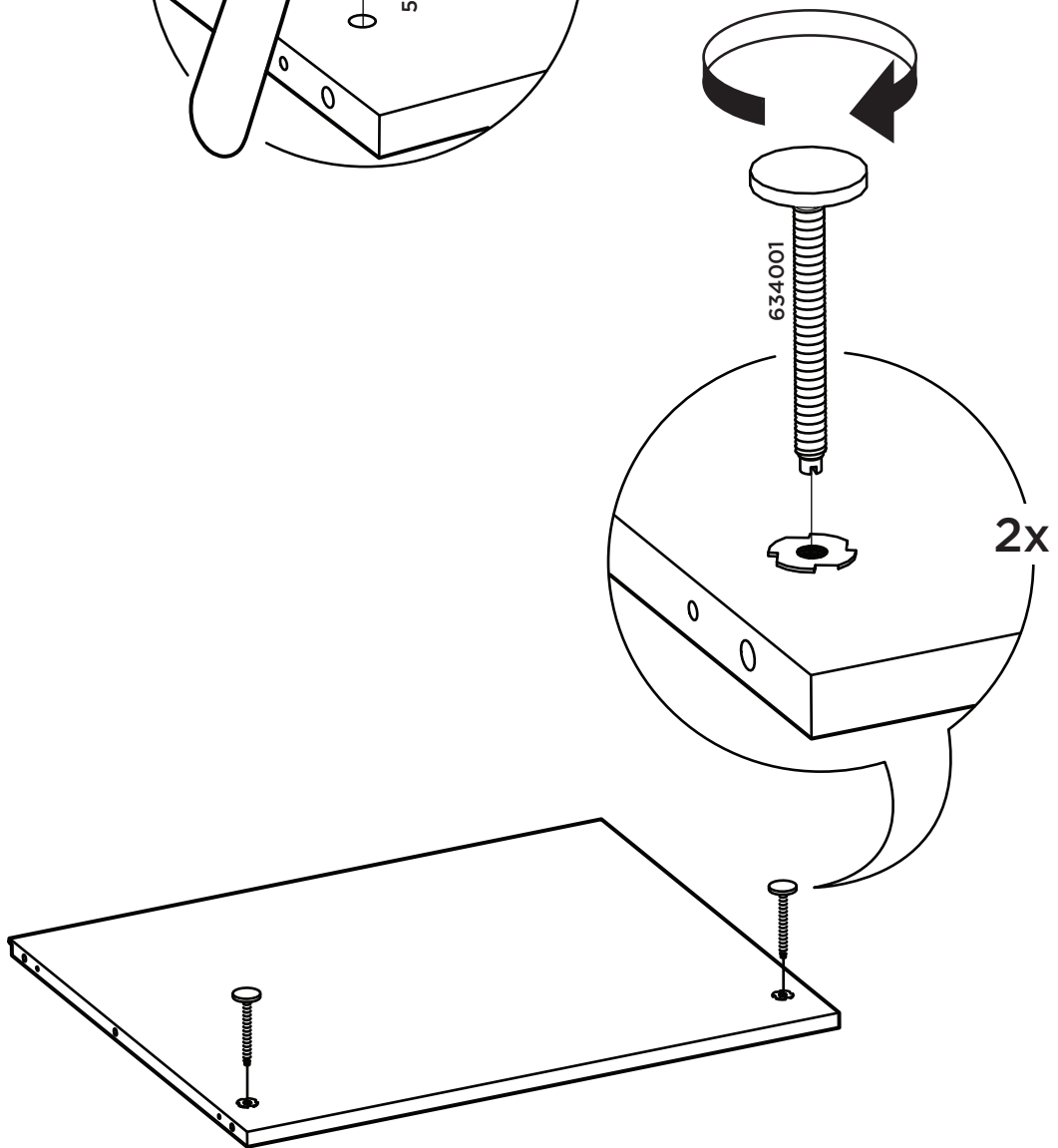
2



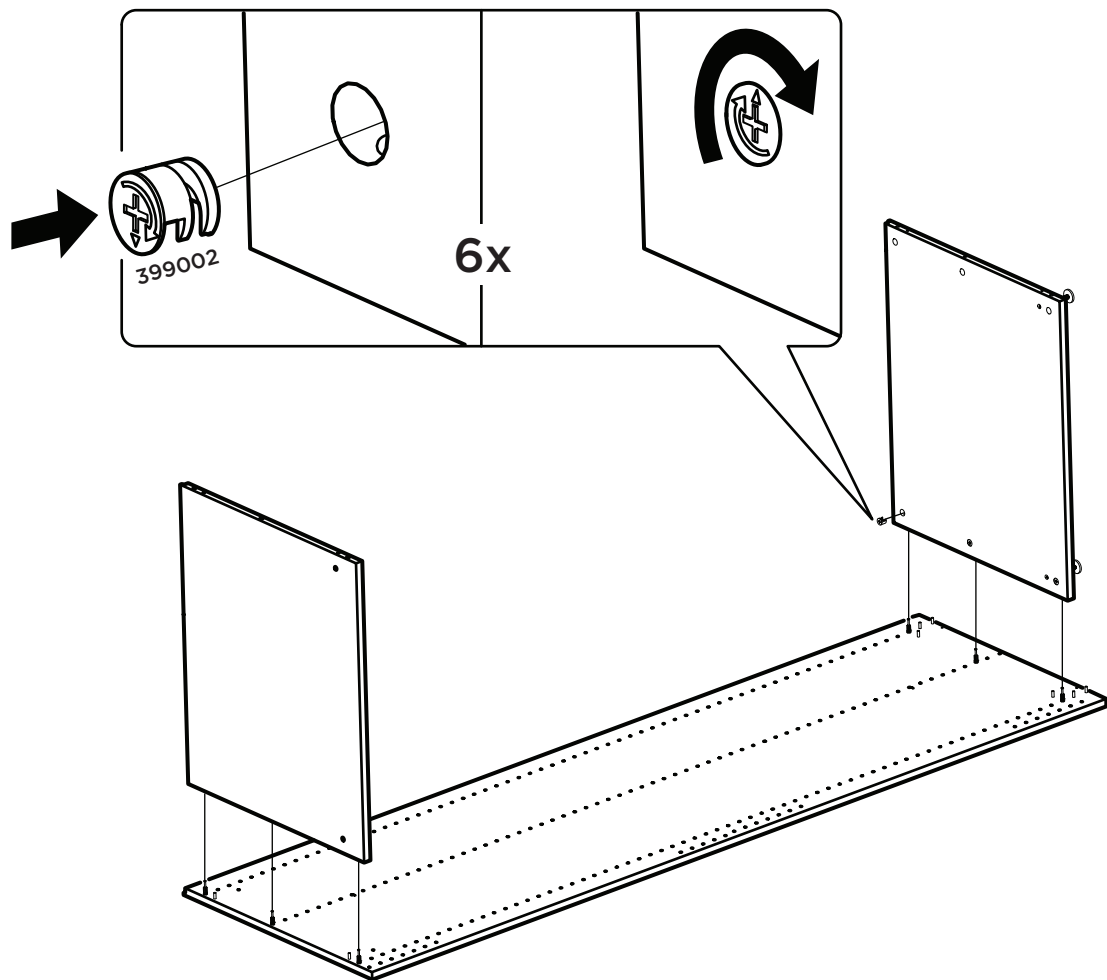
3



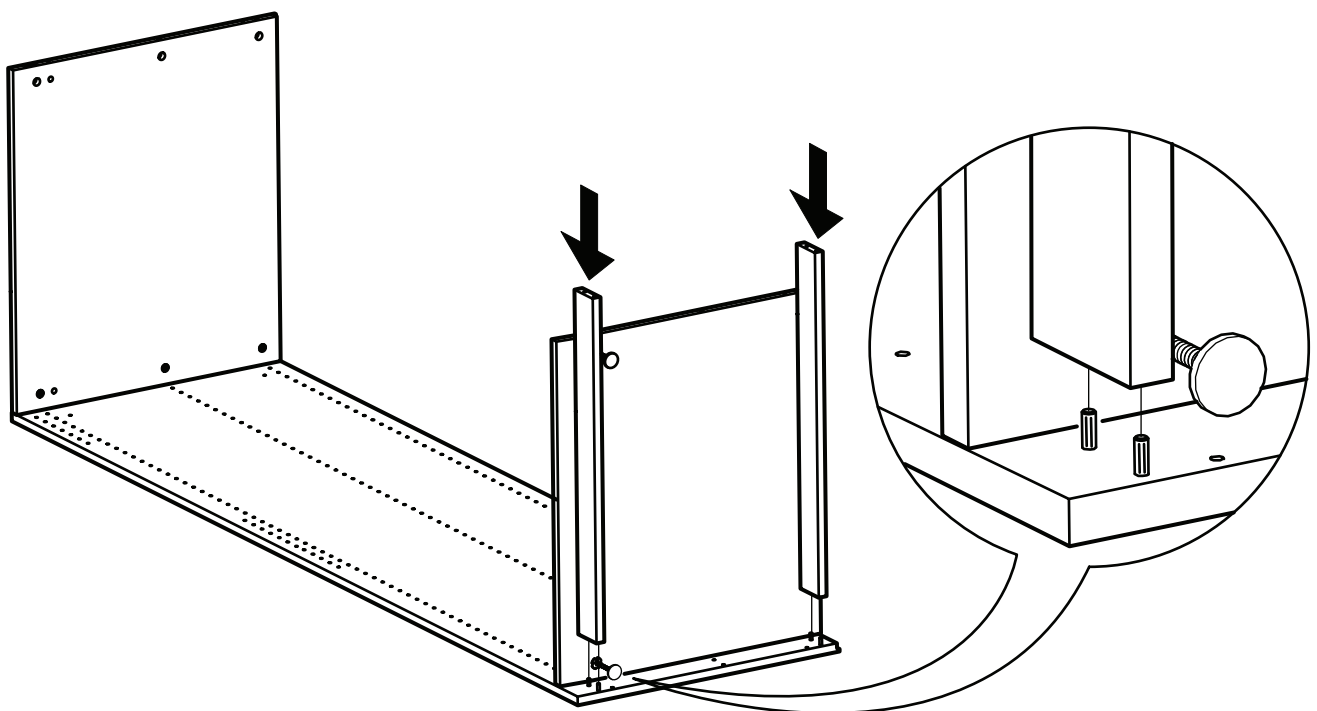
4

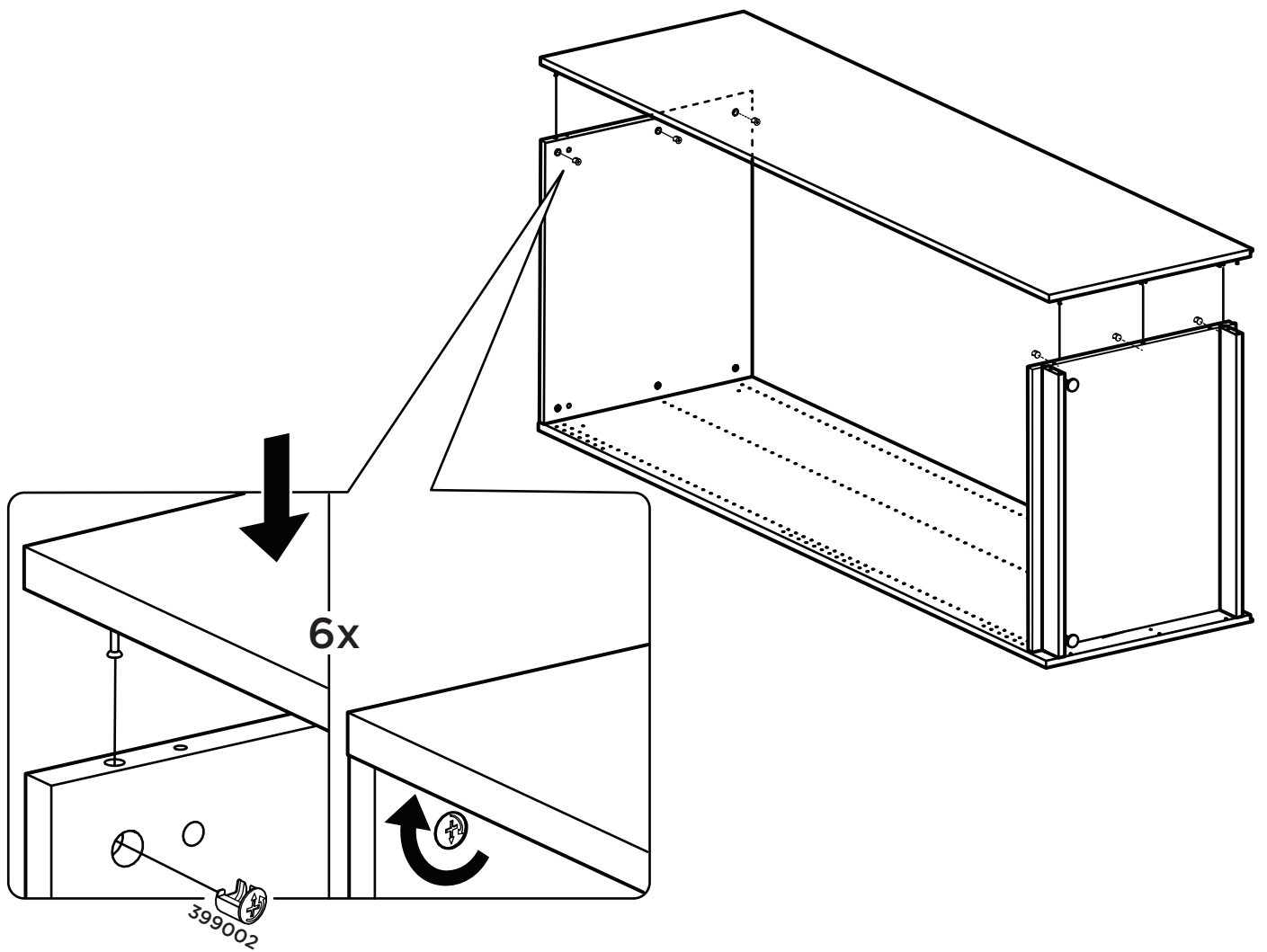


5

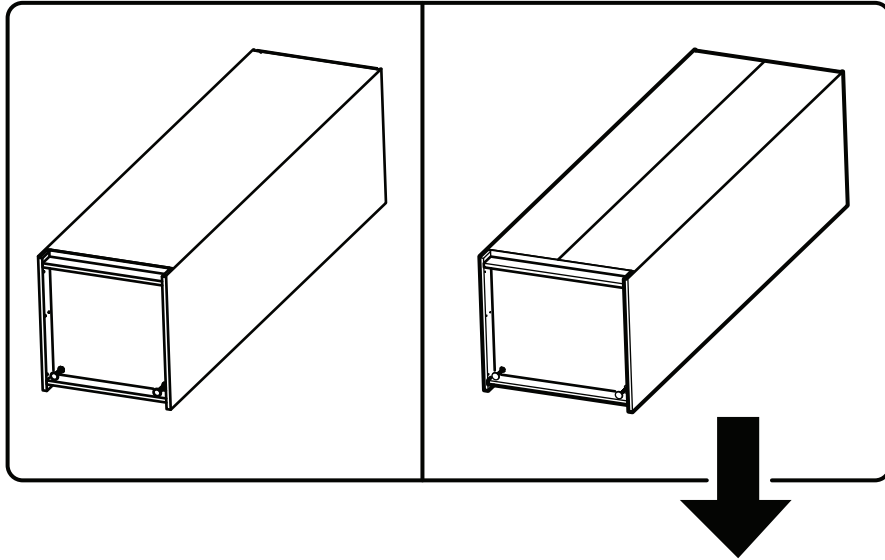


6

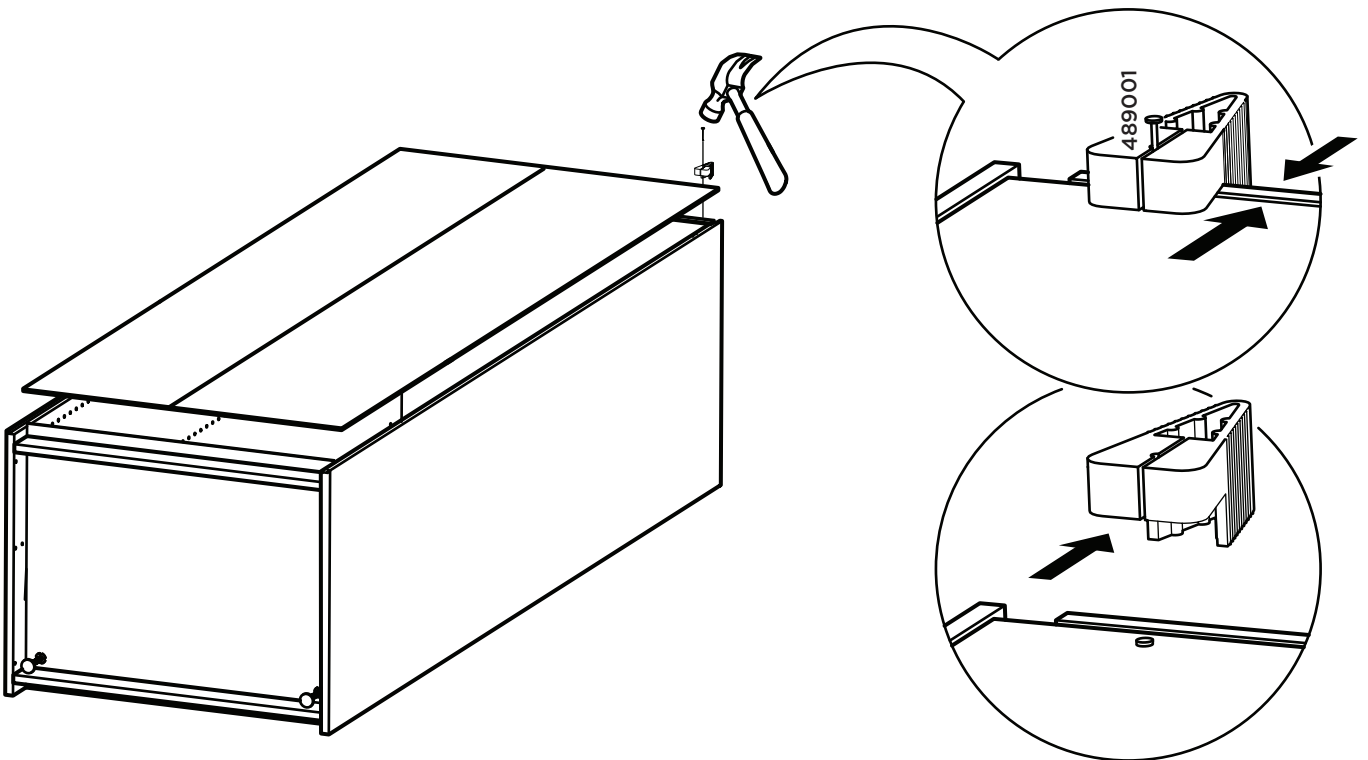
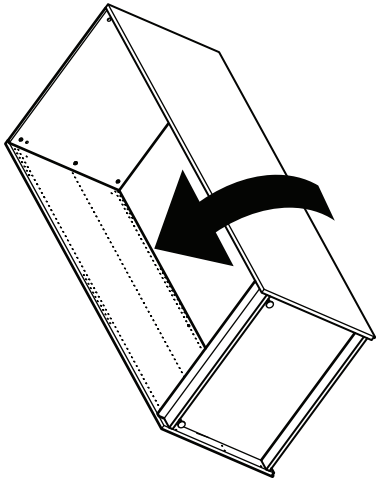


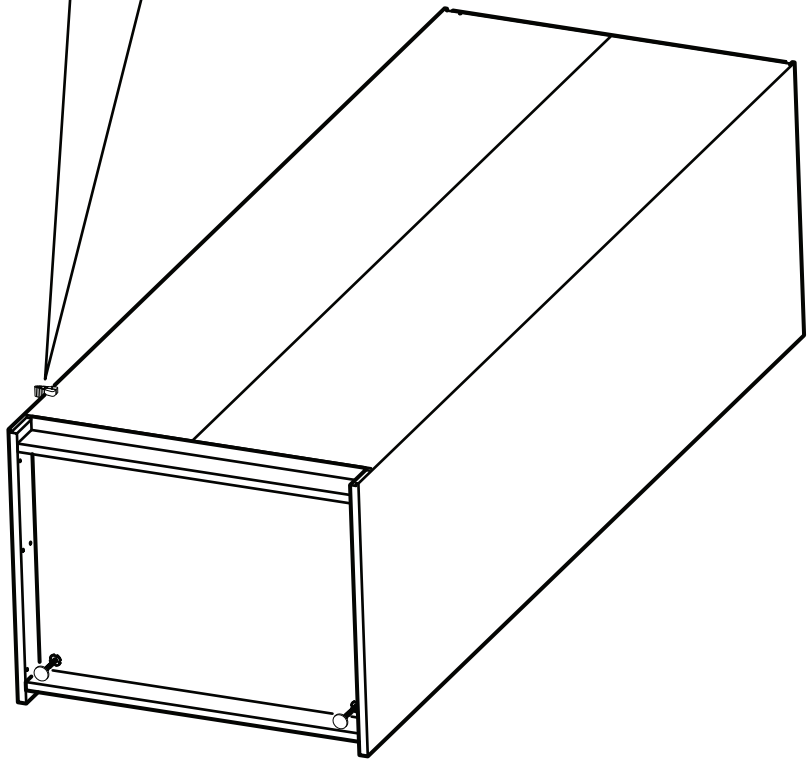
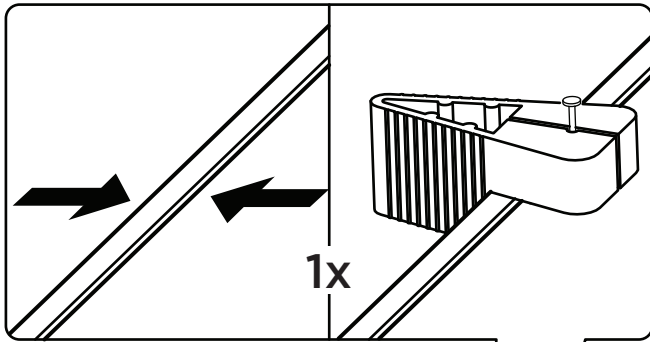


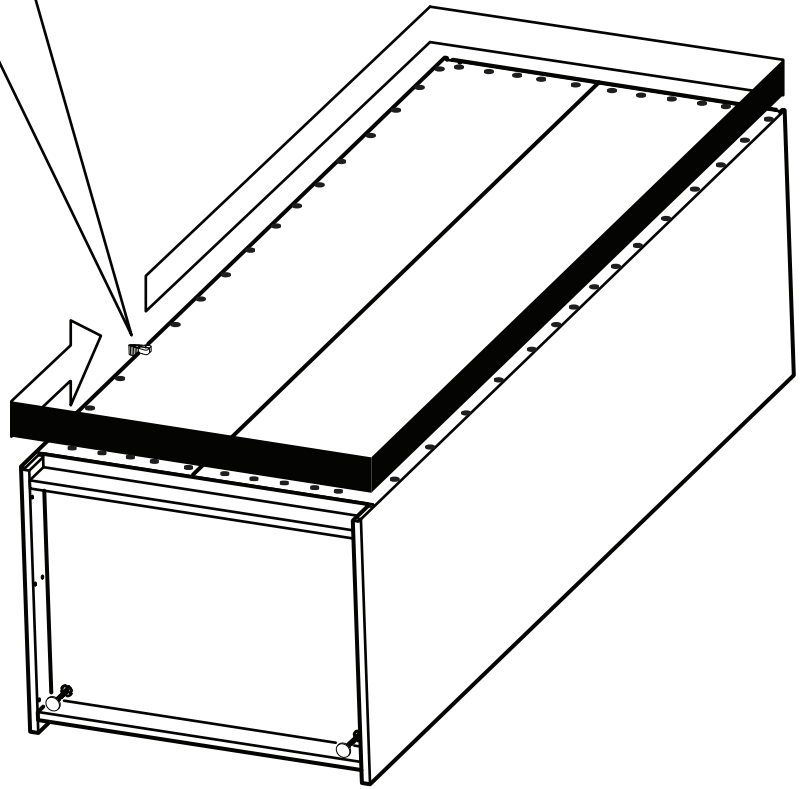
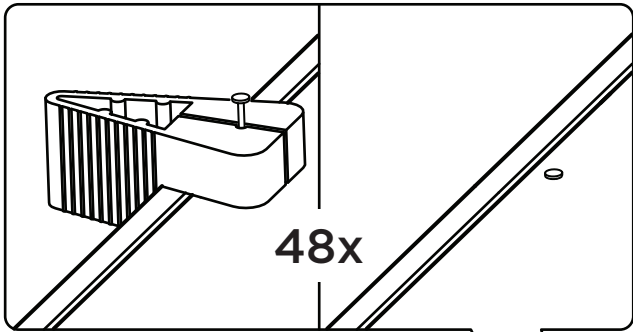


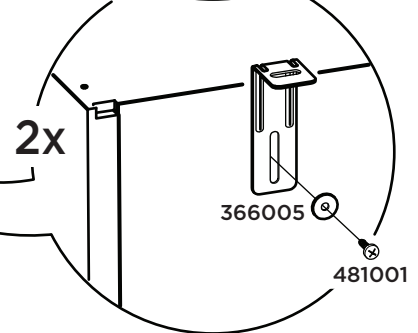
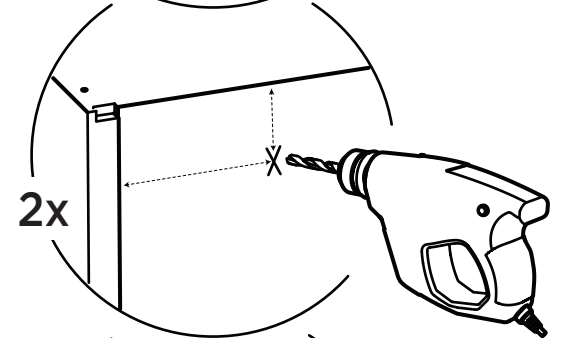
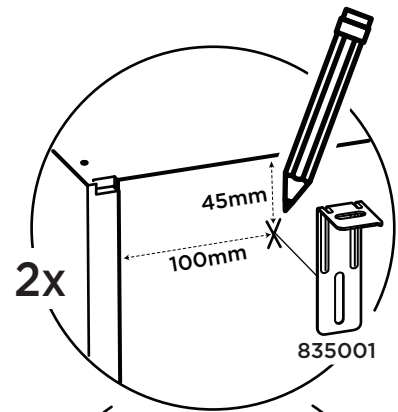
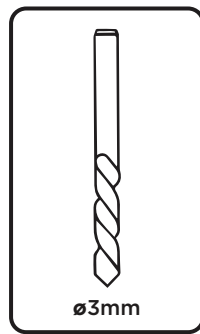
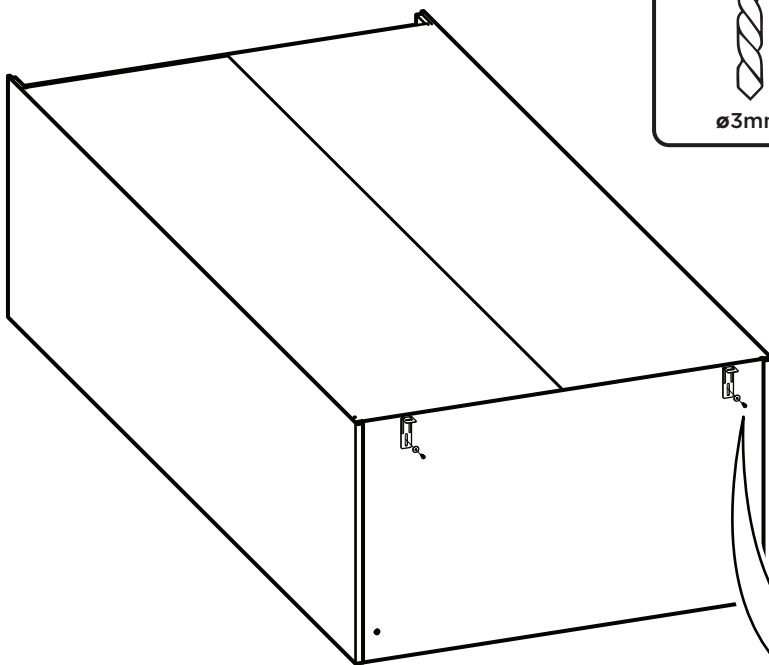
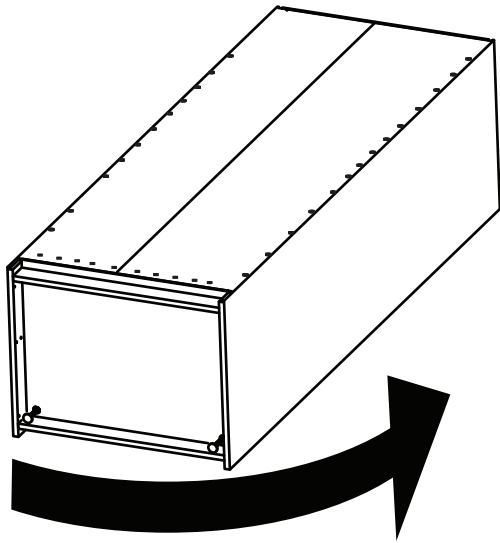


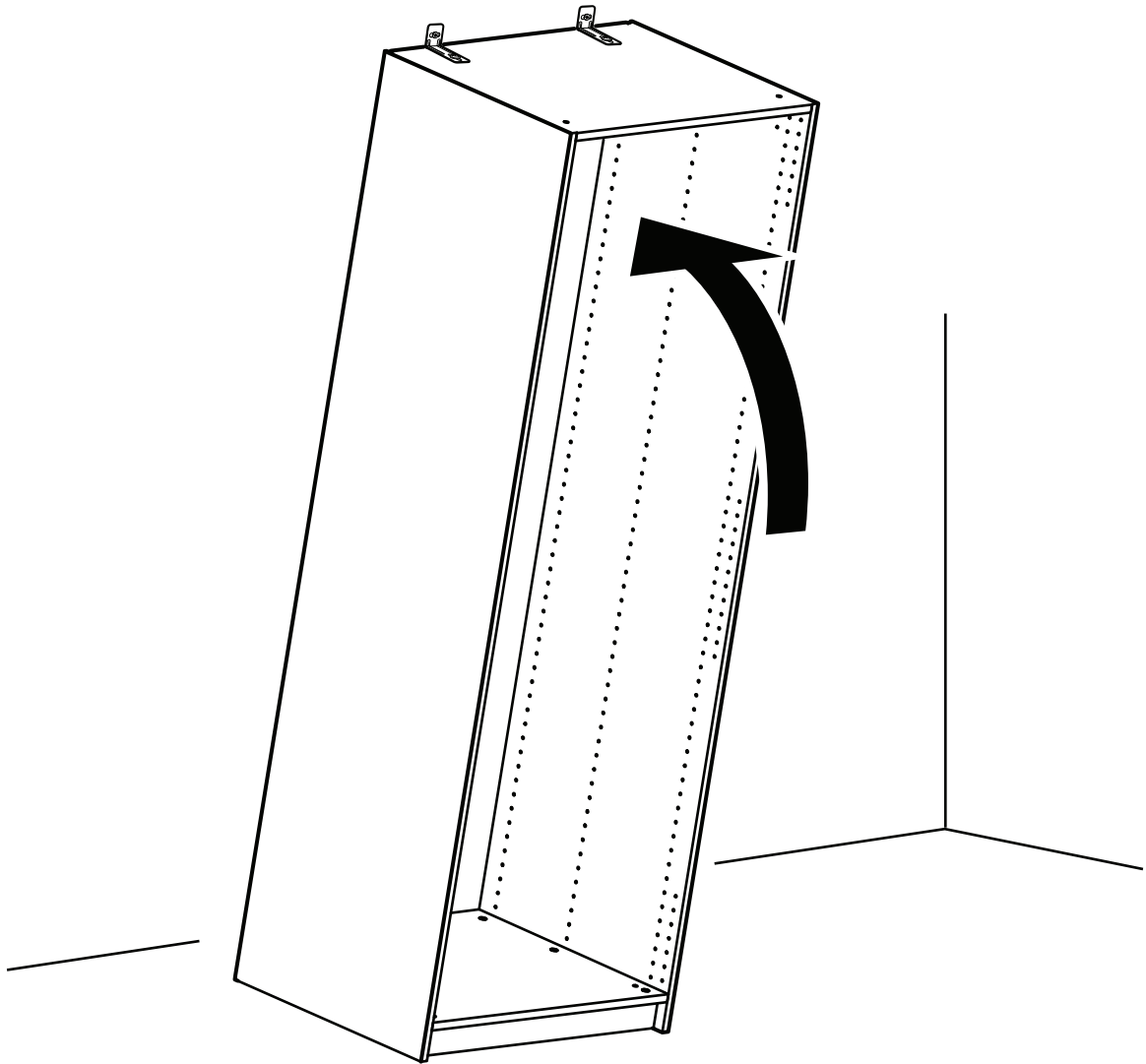
8

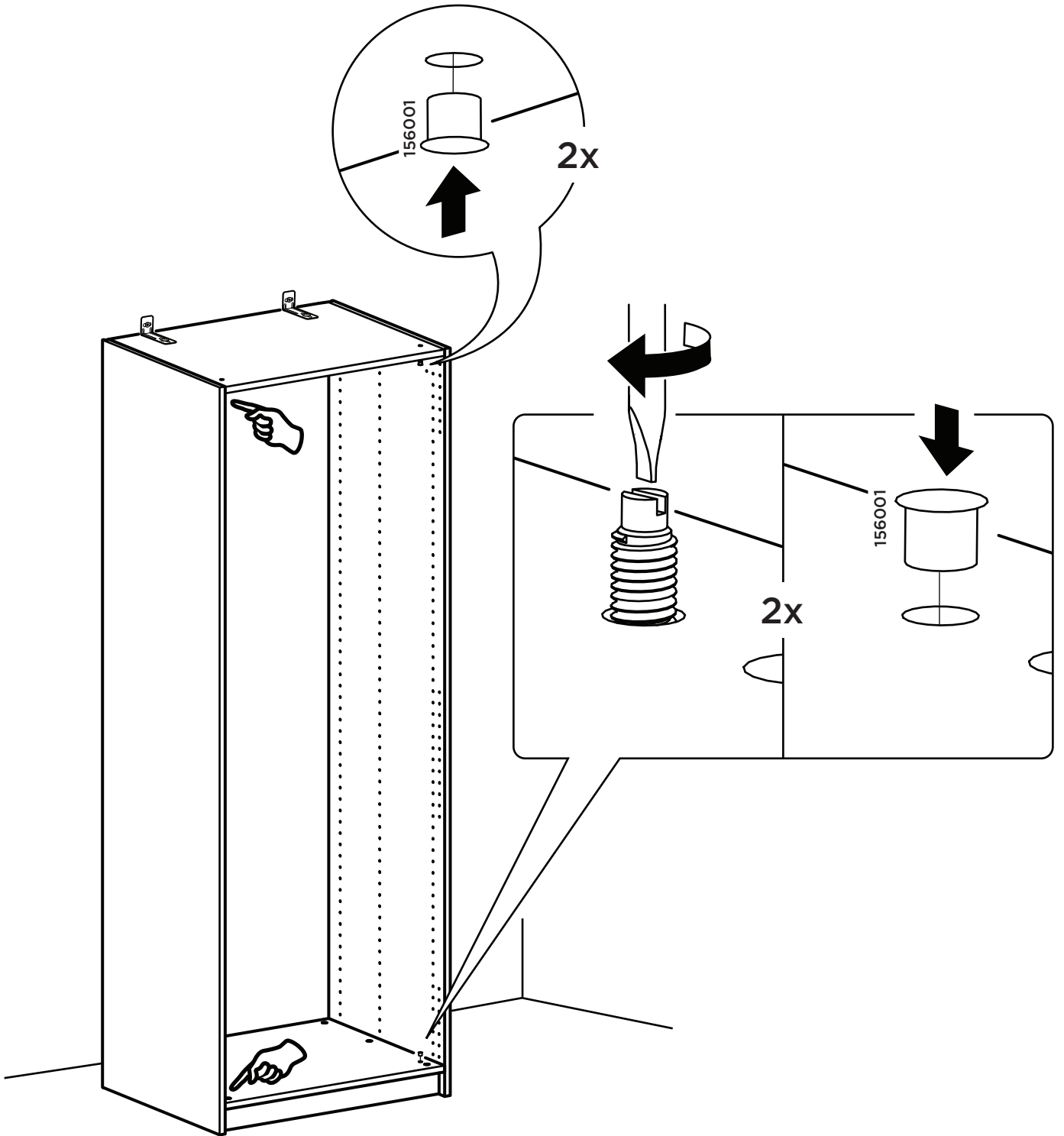


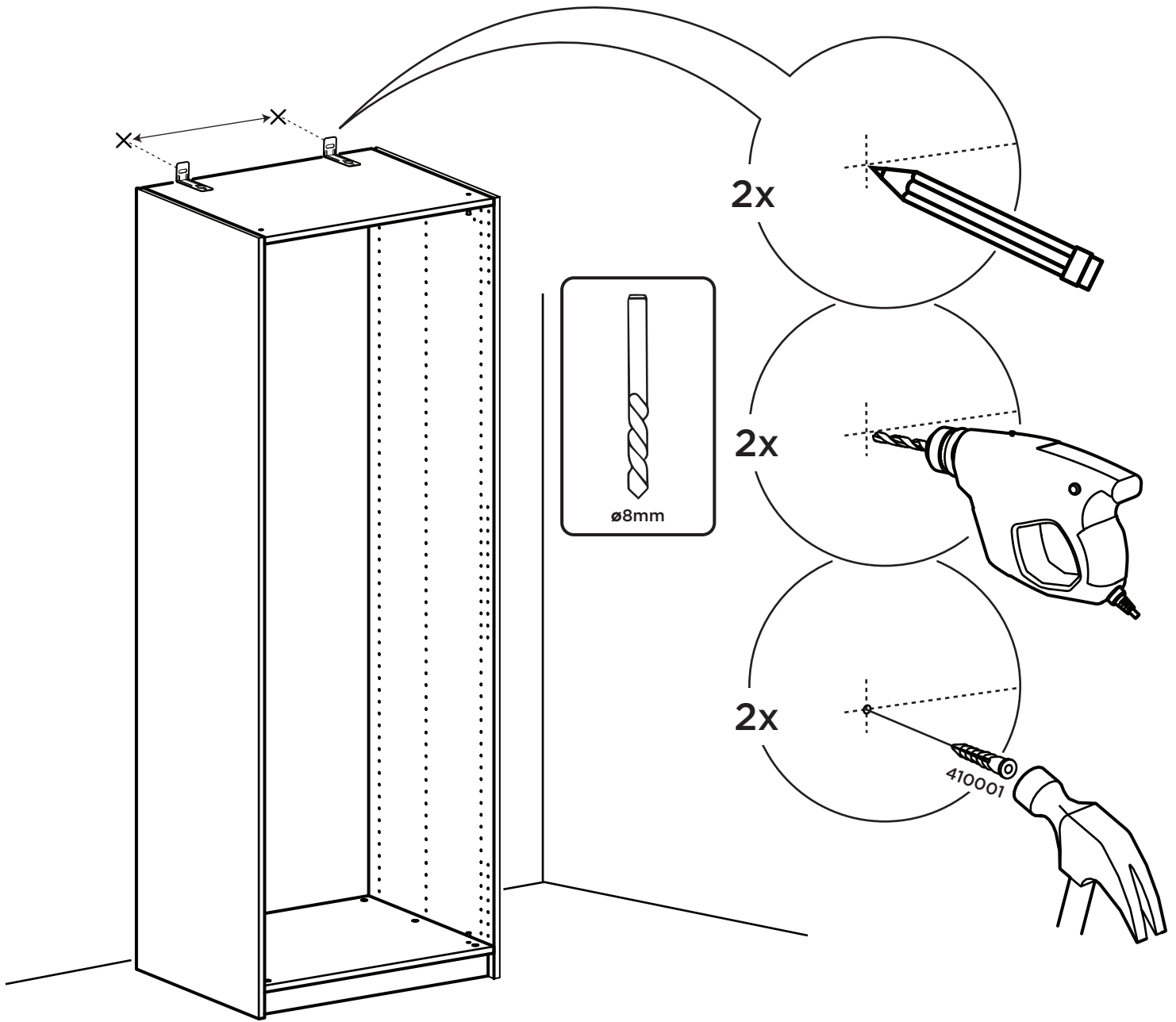


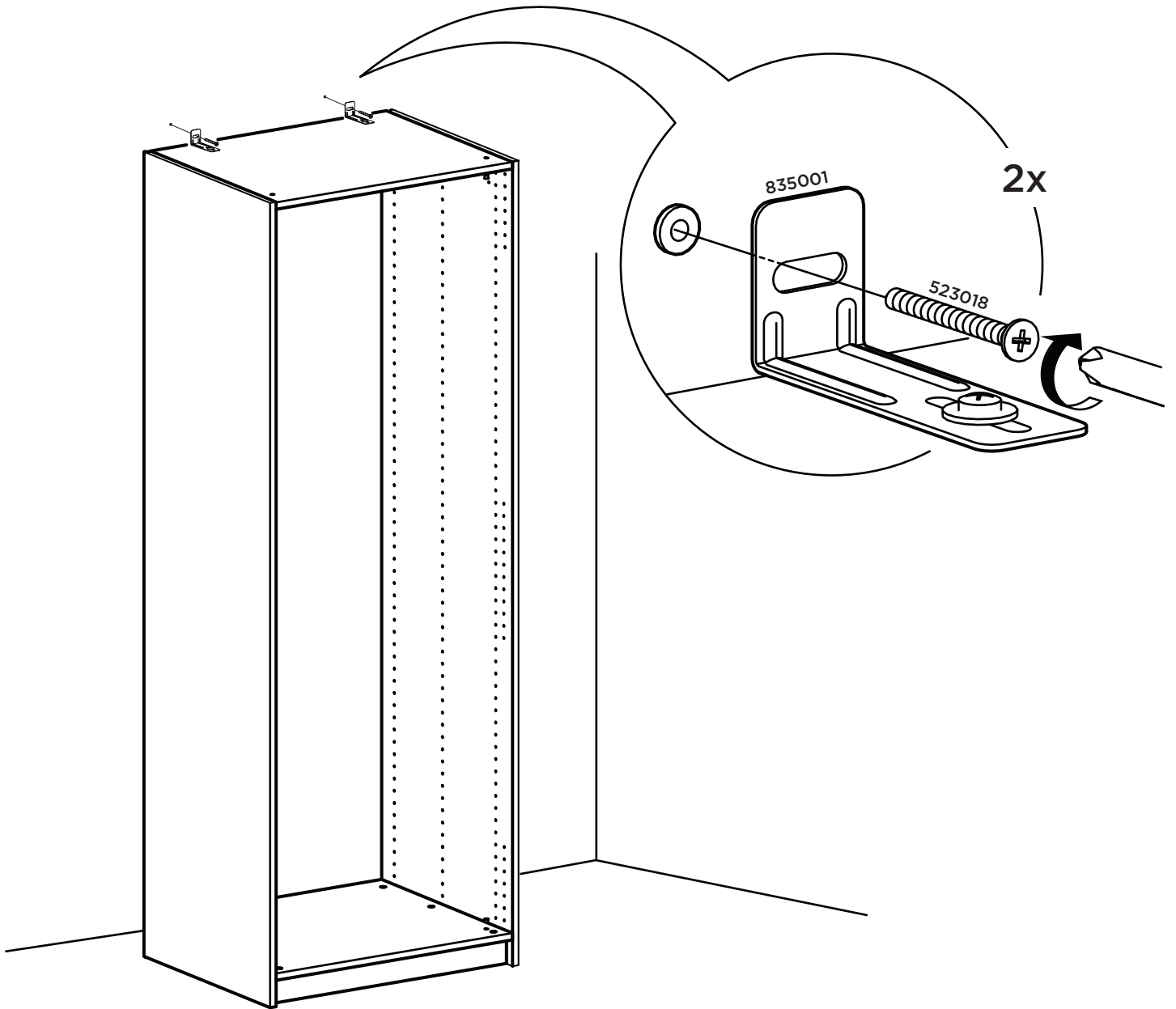




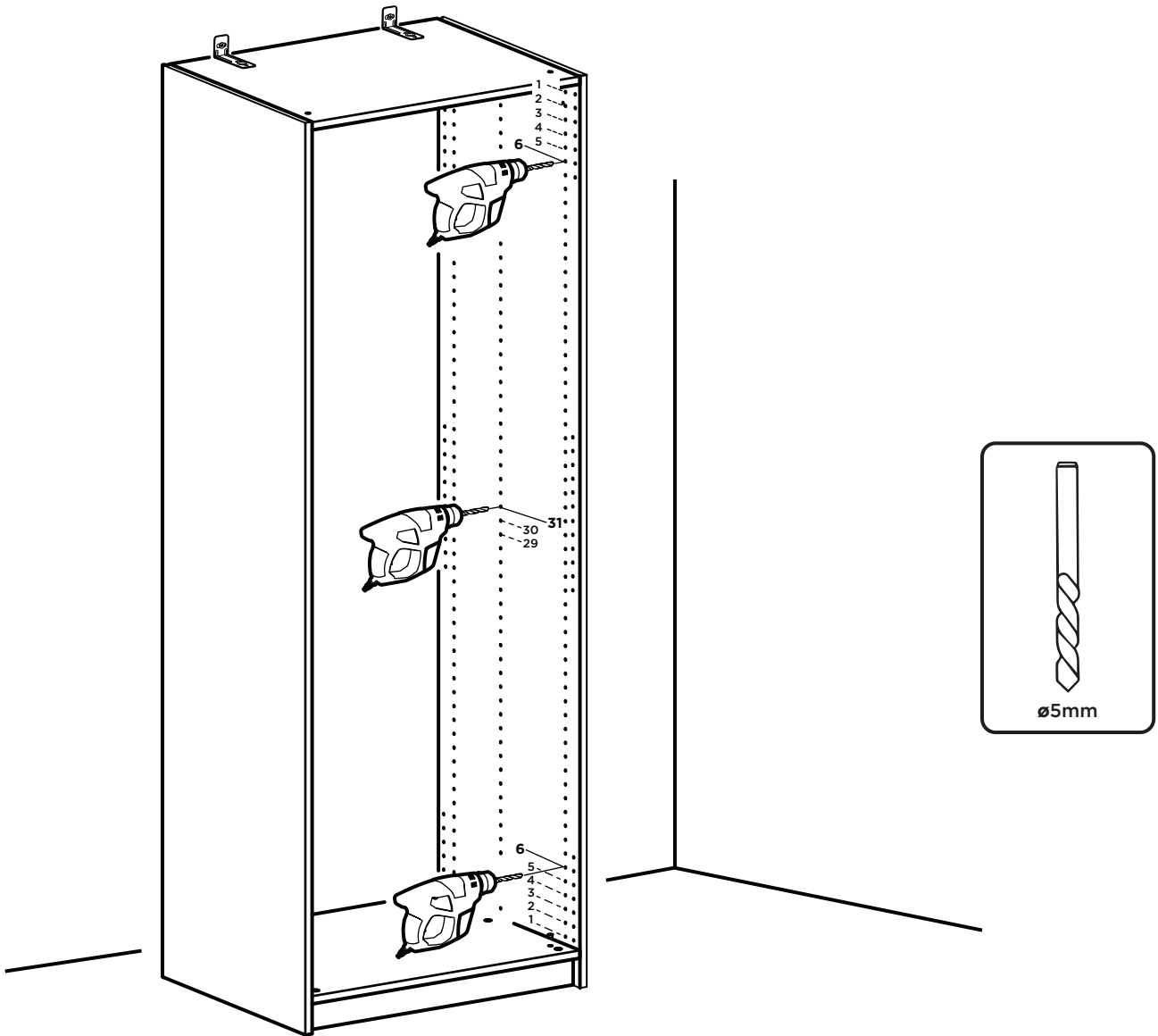


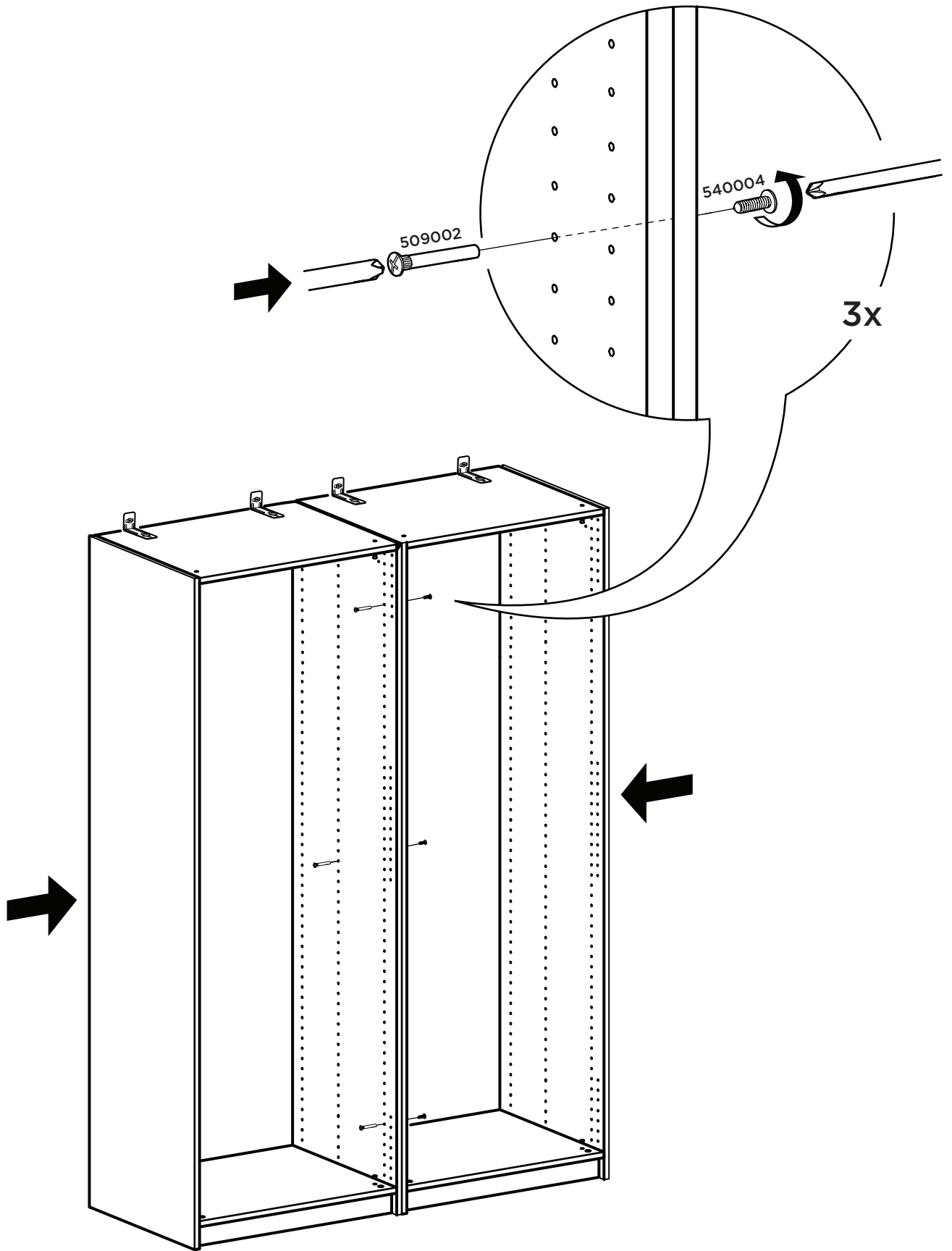


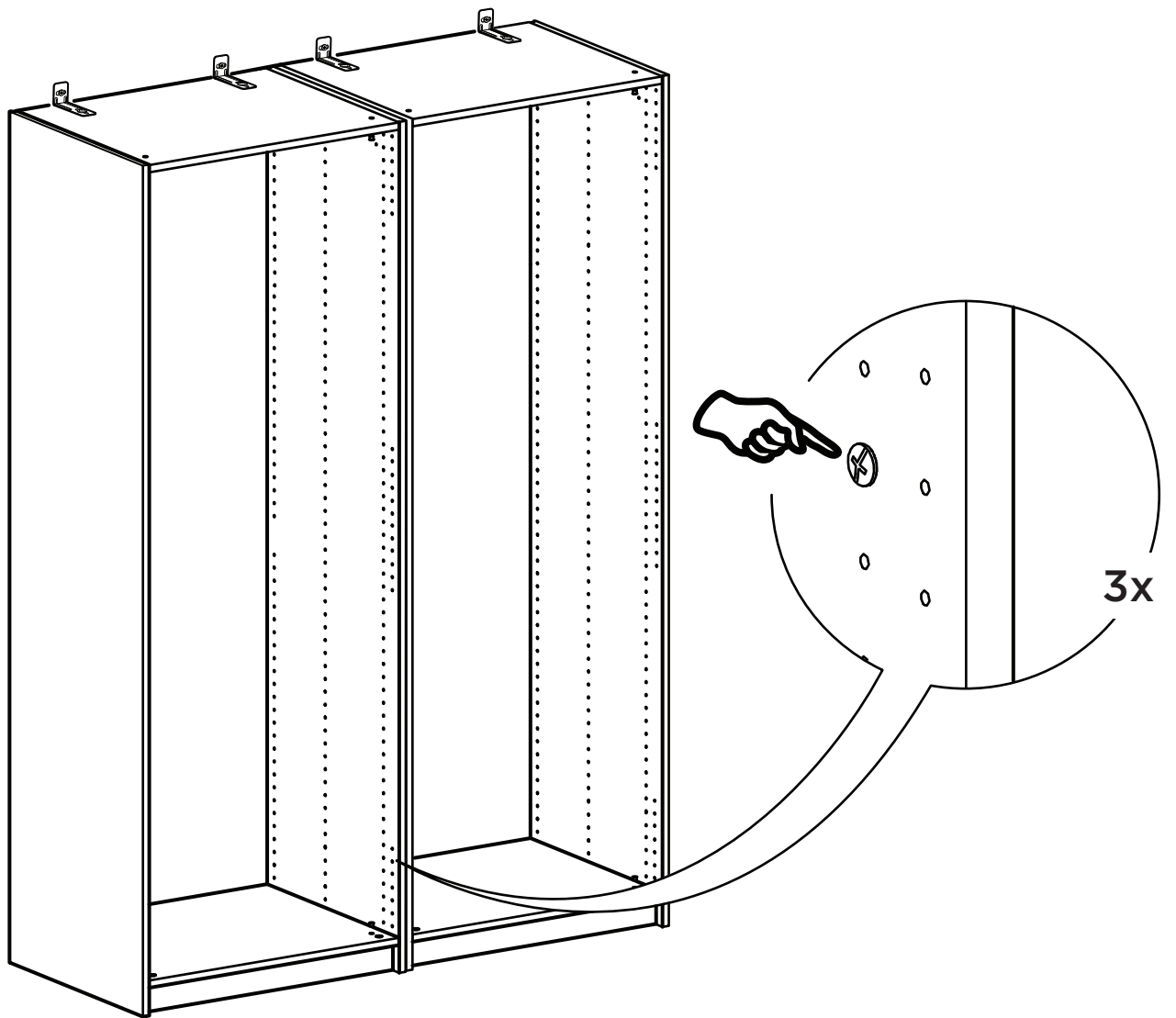












**metercube**