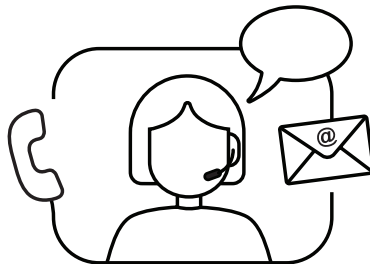
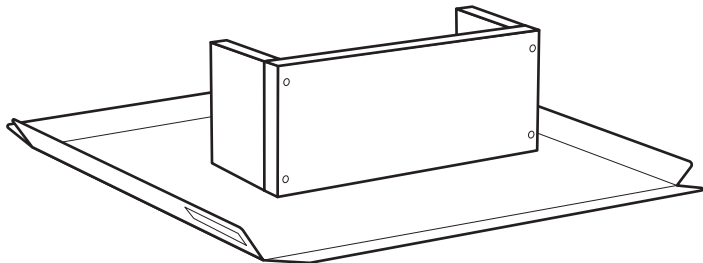
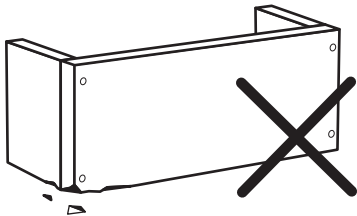
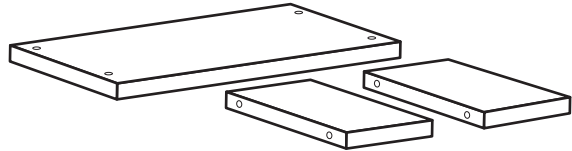
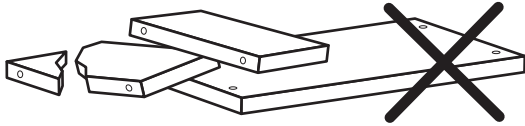
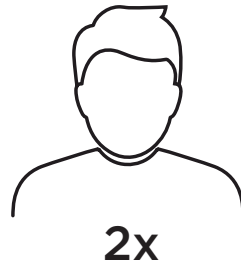
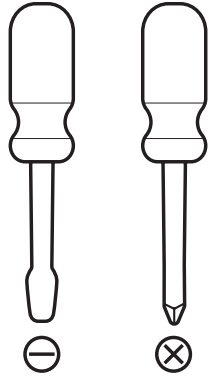


# ambry

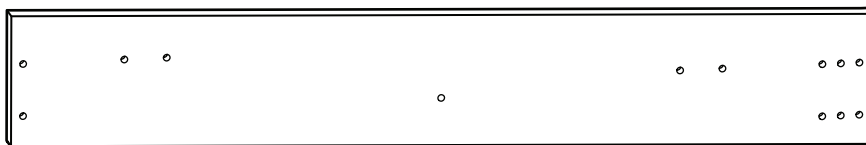
- 135.003.01
- 135.003.02
- 135.003.03
- 135.003.04
- 135.003.05
- 135.003.06
- 135.003.07
- 135.003.08
- 135.003.09
- 135.003.10
- 135.003.11
- 135.003.12

metercube

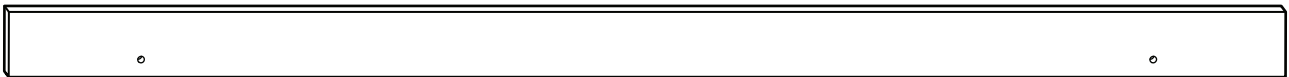




2x



2x



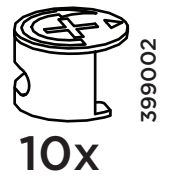
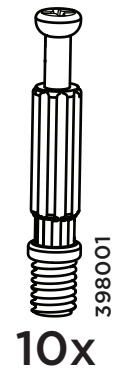
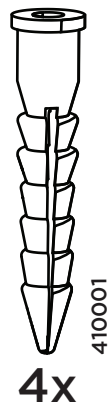
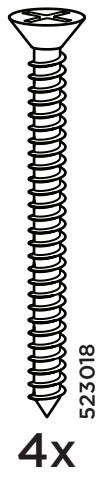
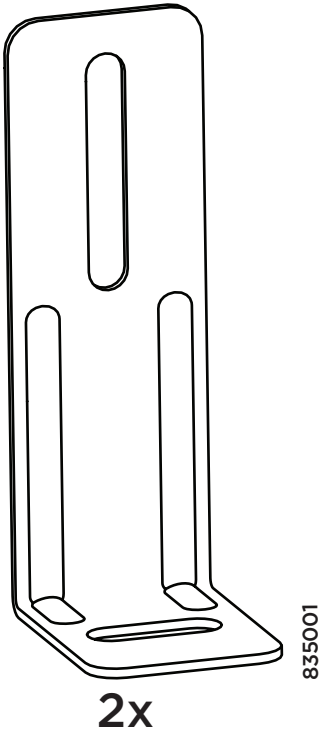
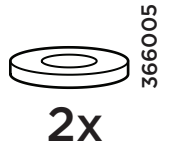
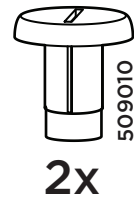
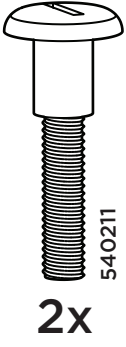
1x



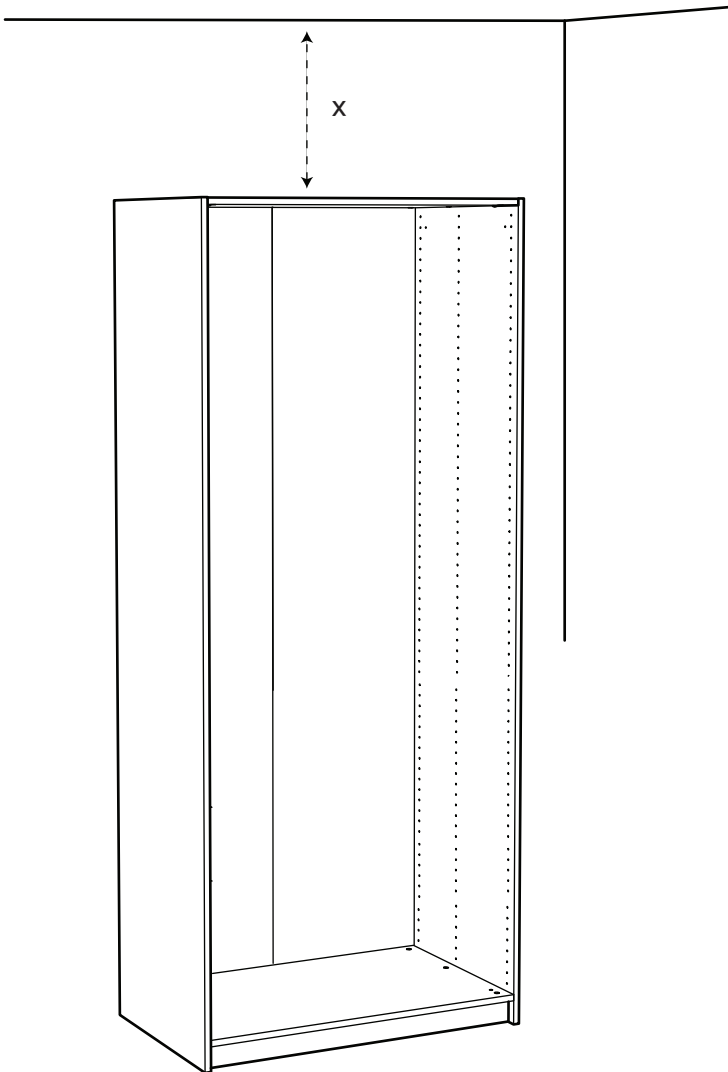
1x



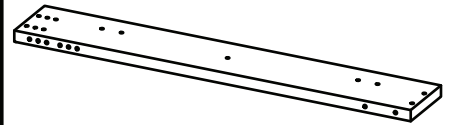
1x



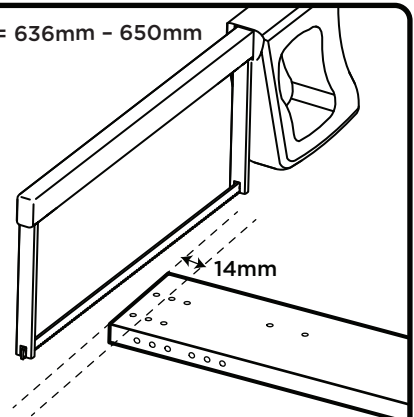
1



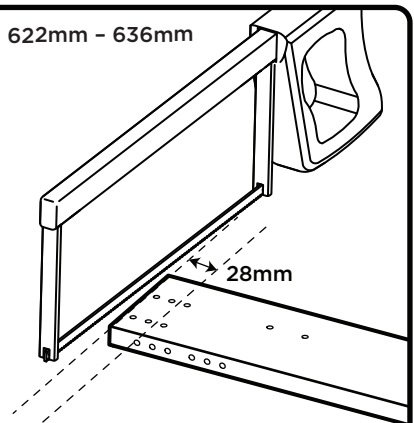
X = 650mm



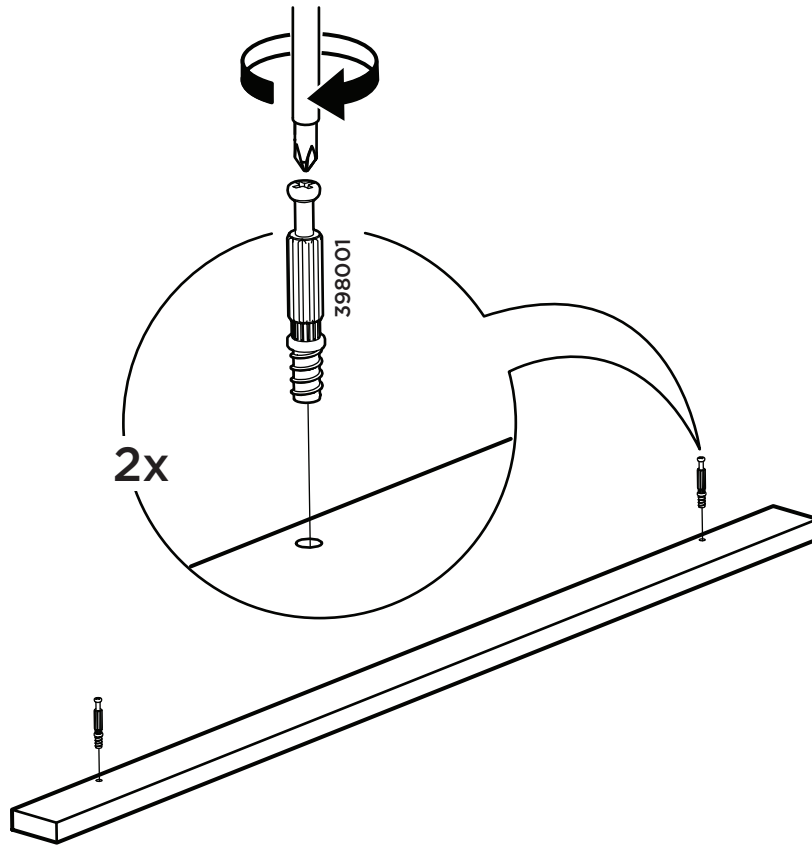
X = 636mm - 650mm



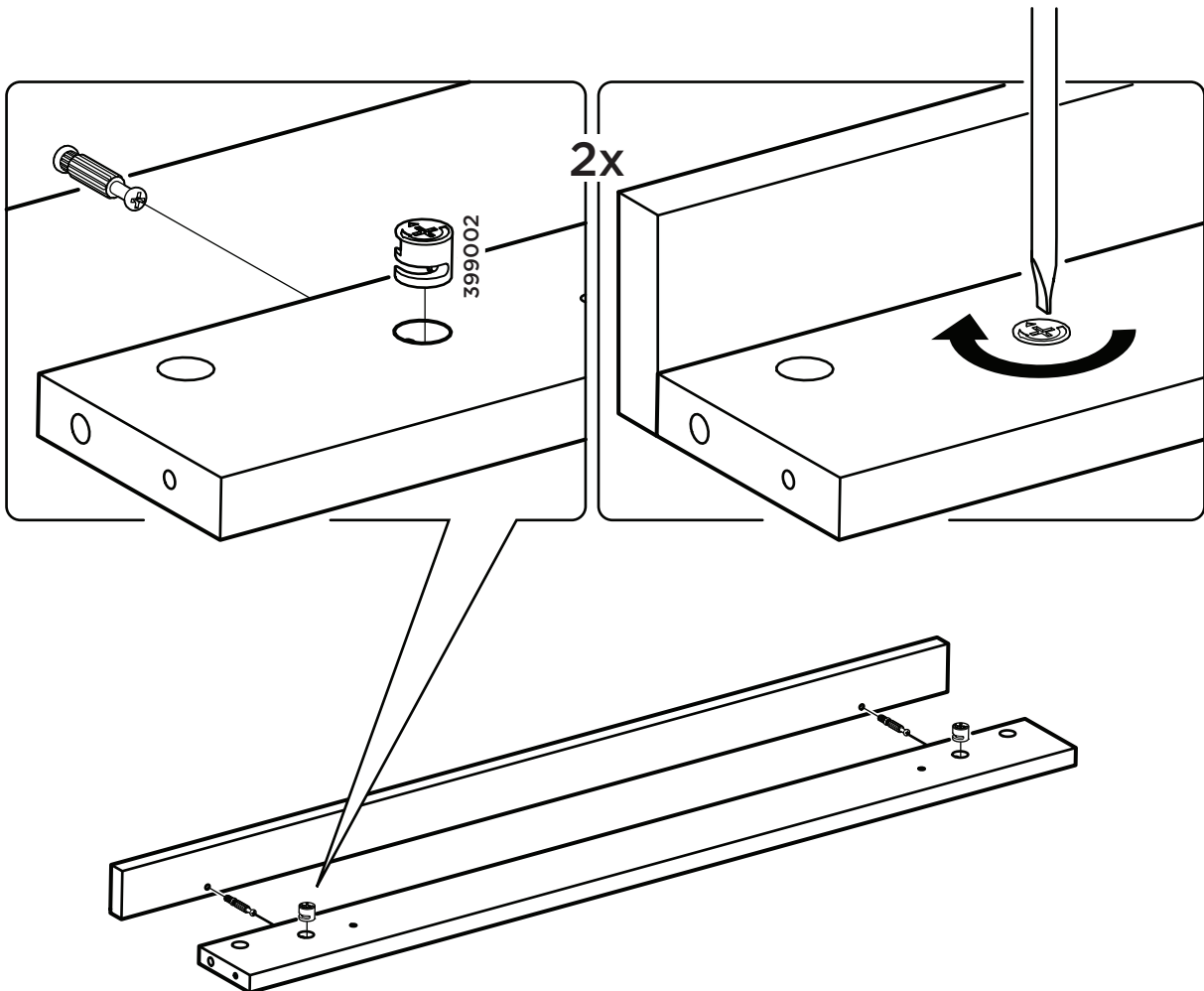
X = 622mm - 636mm



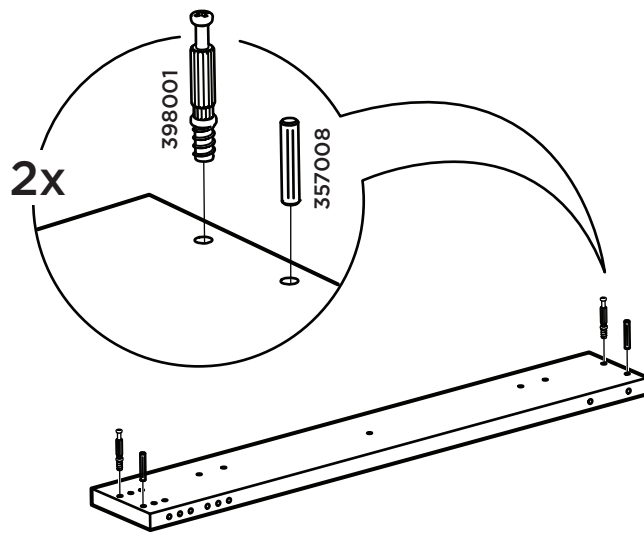
2



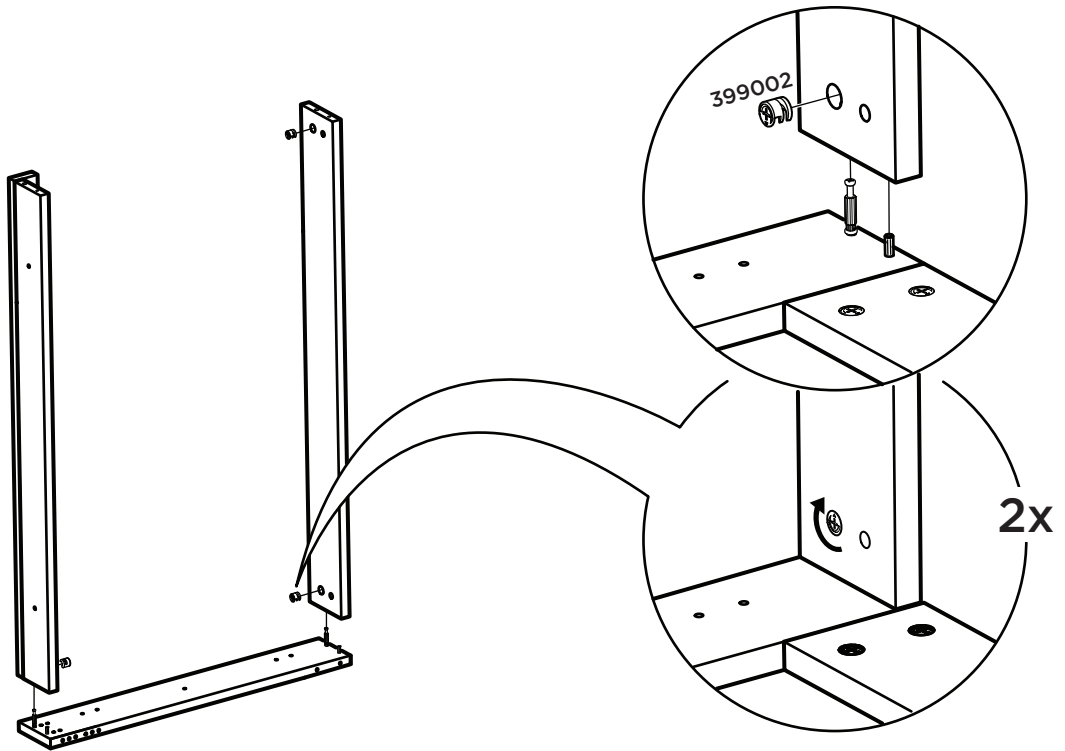
3



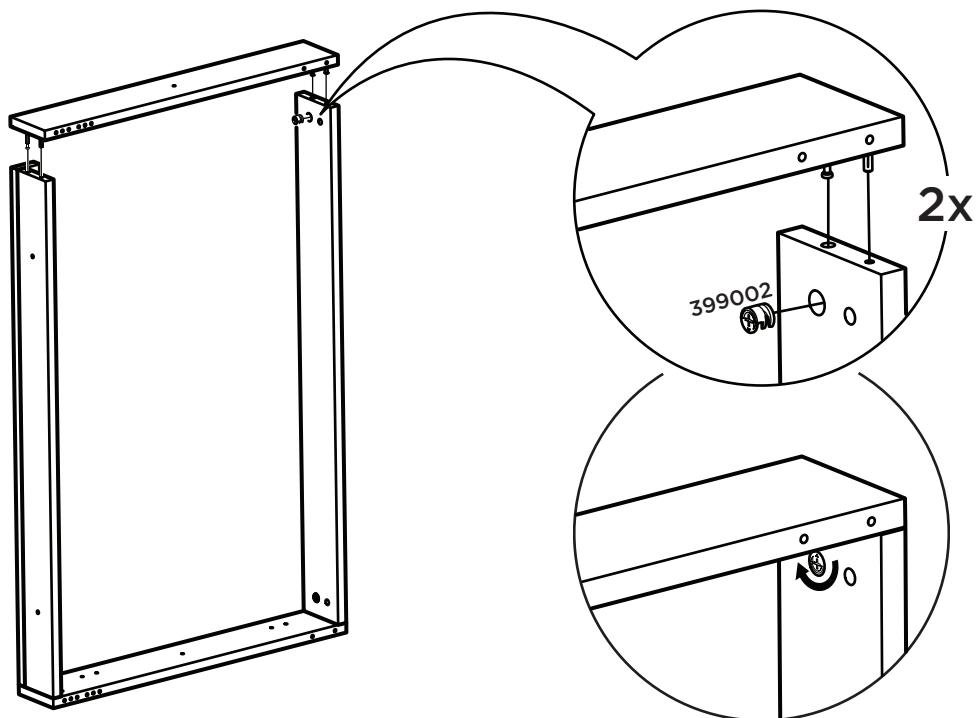
4



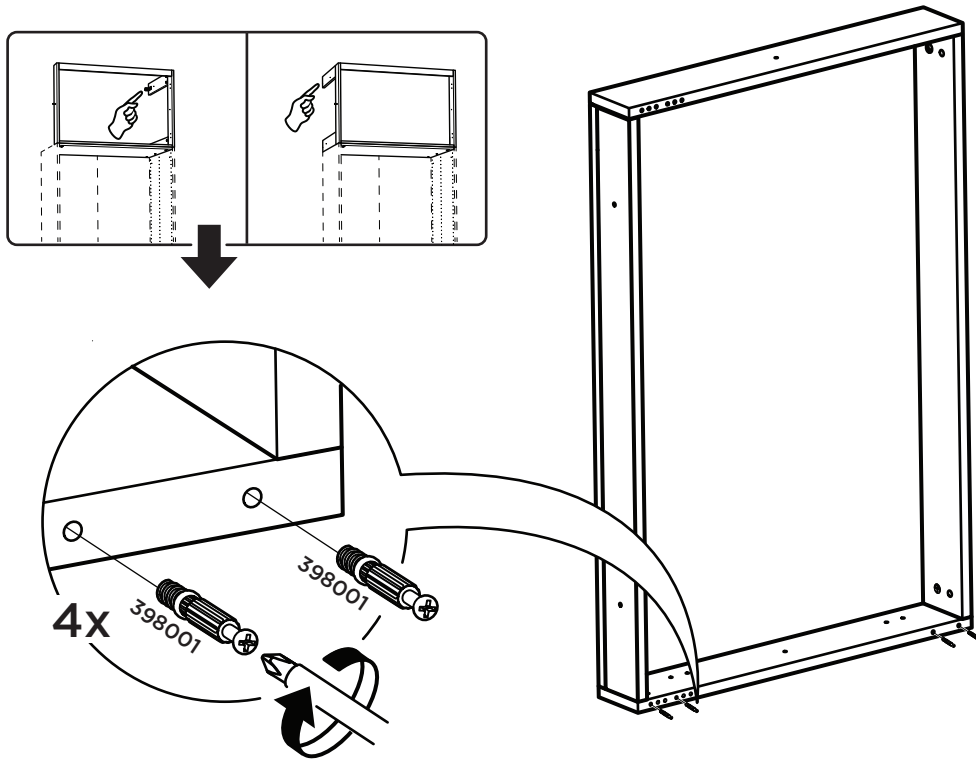
5



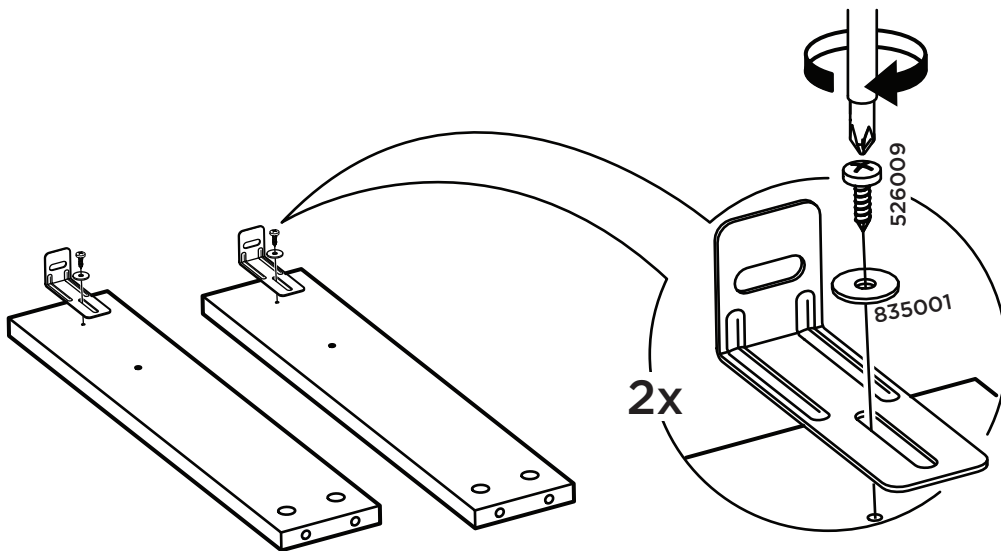
6



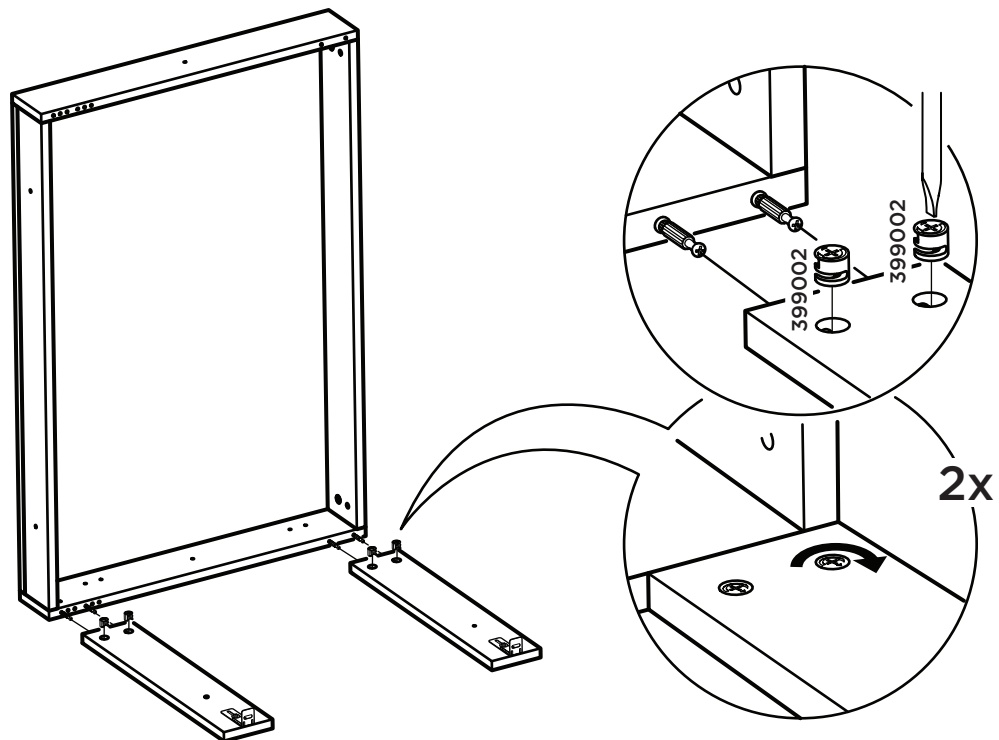
7



8

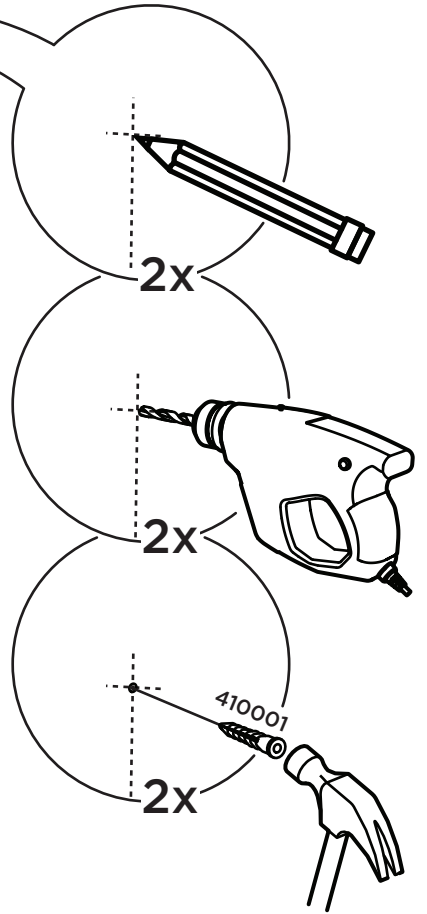
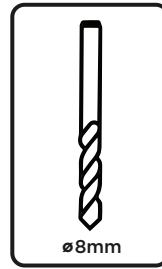
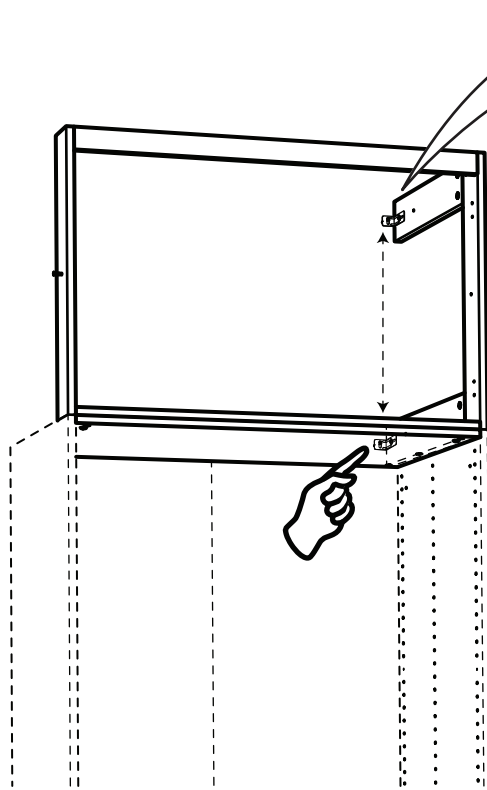
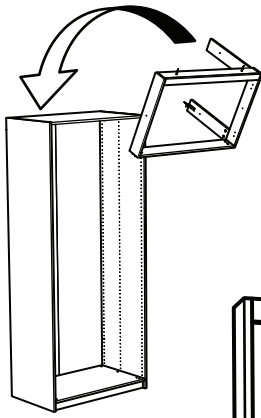


9

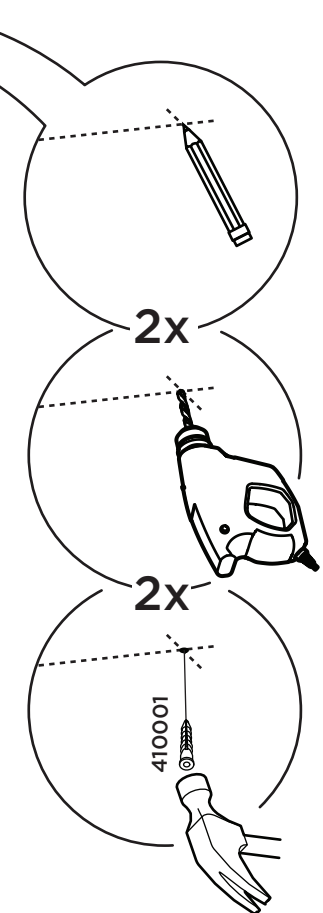
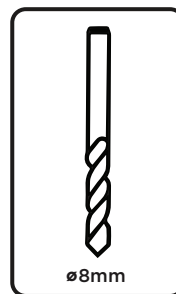
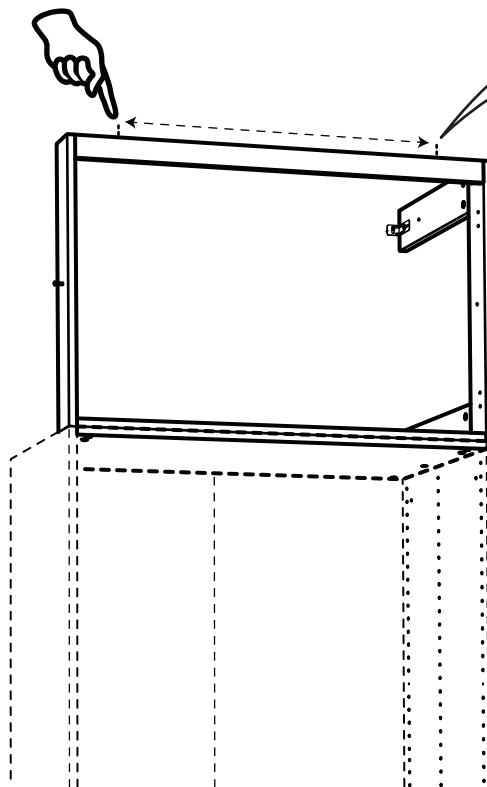




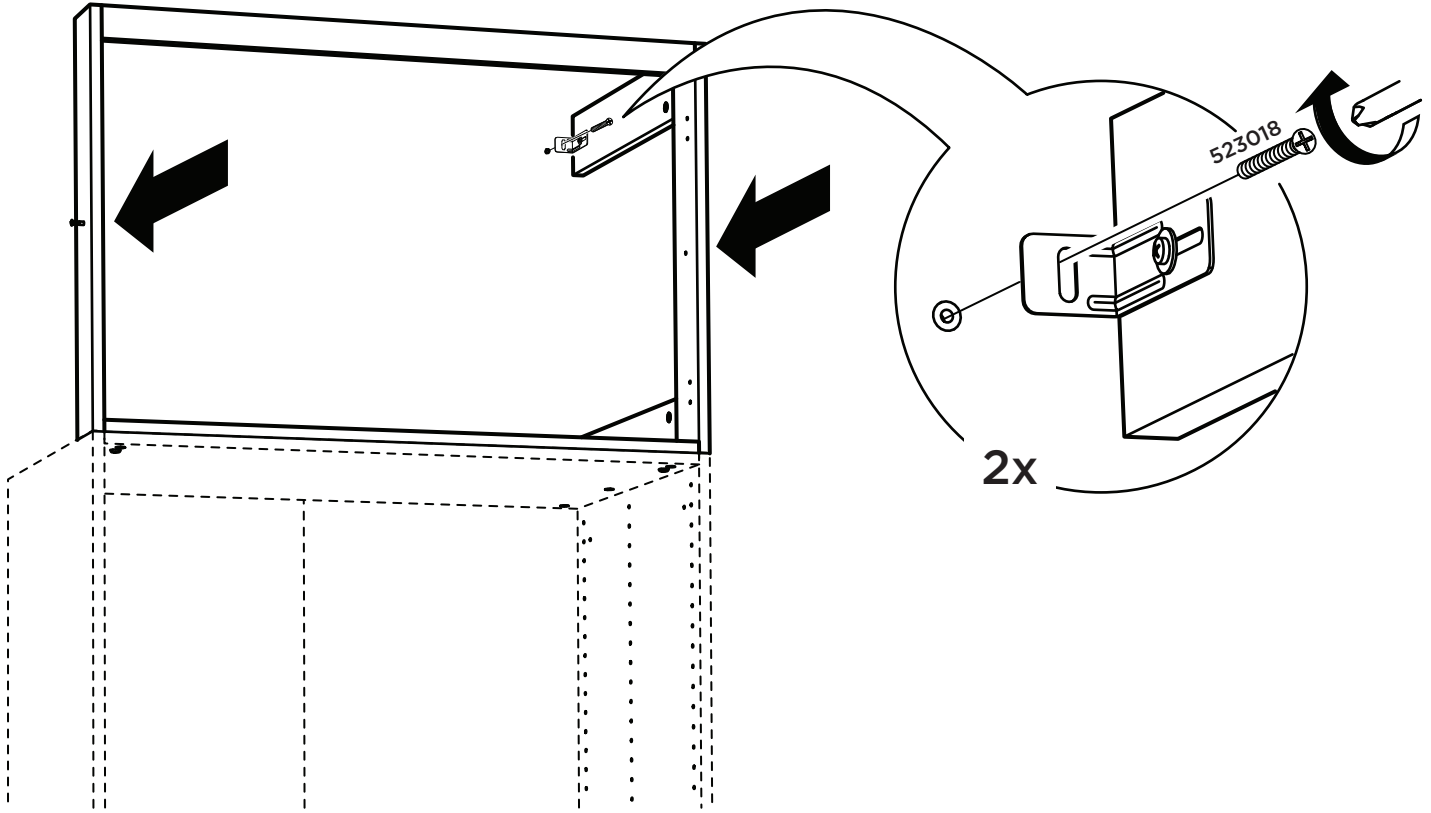
10



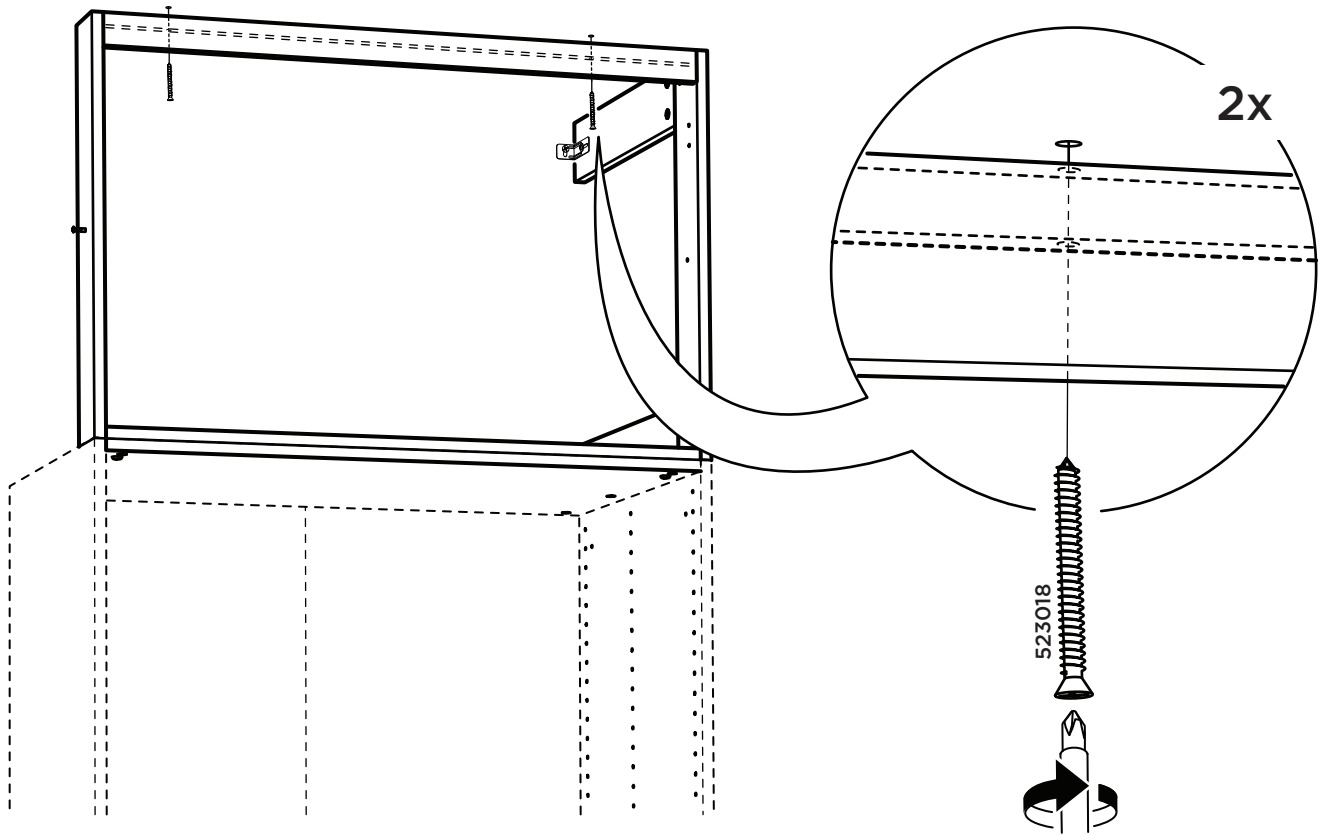
11



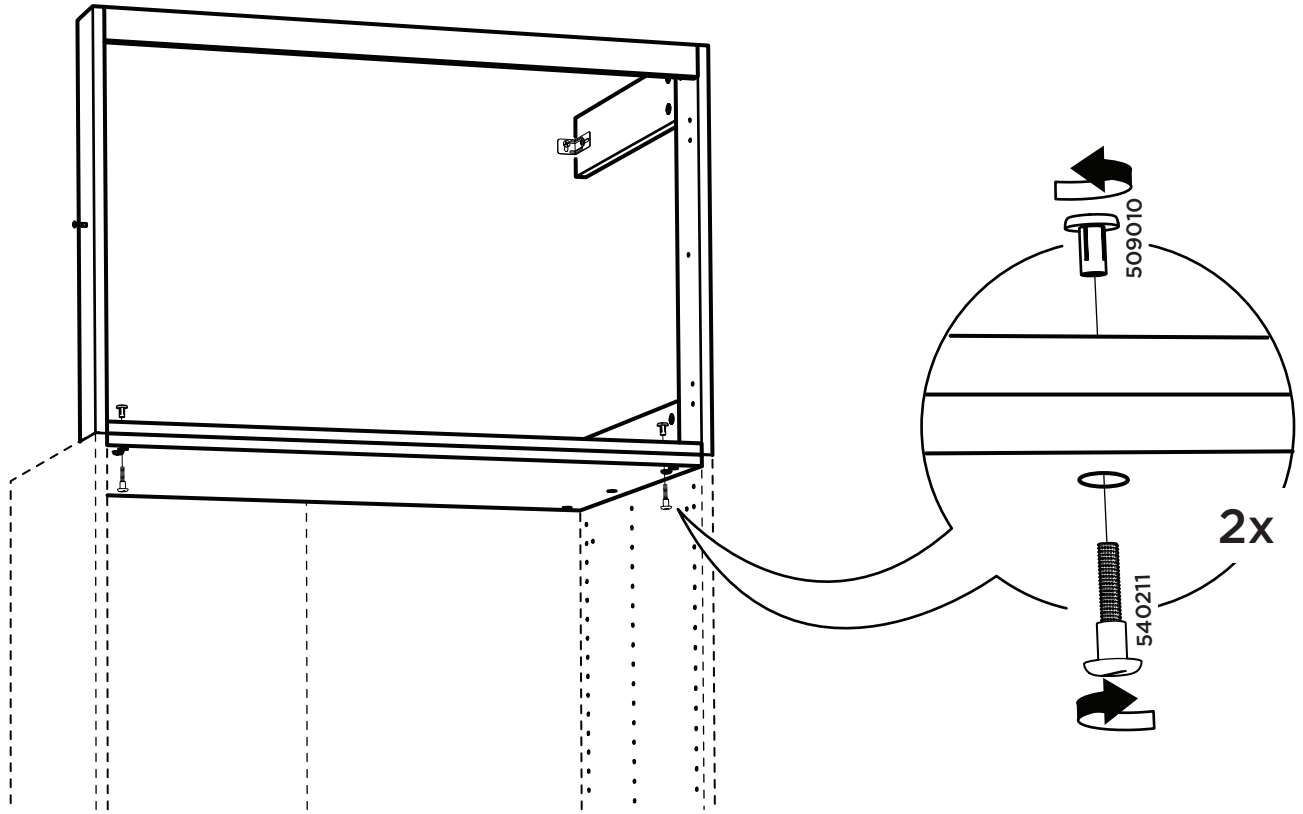
12



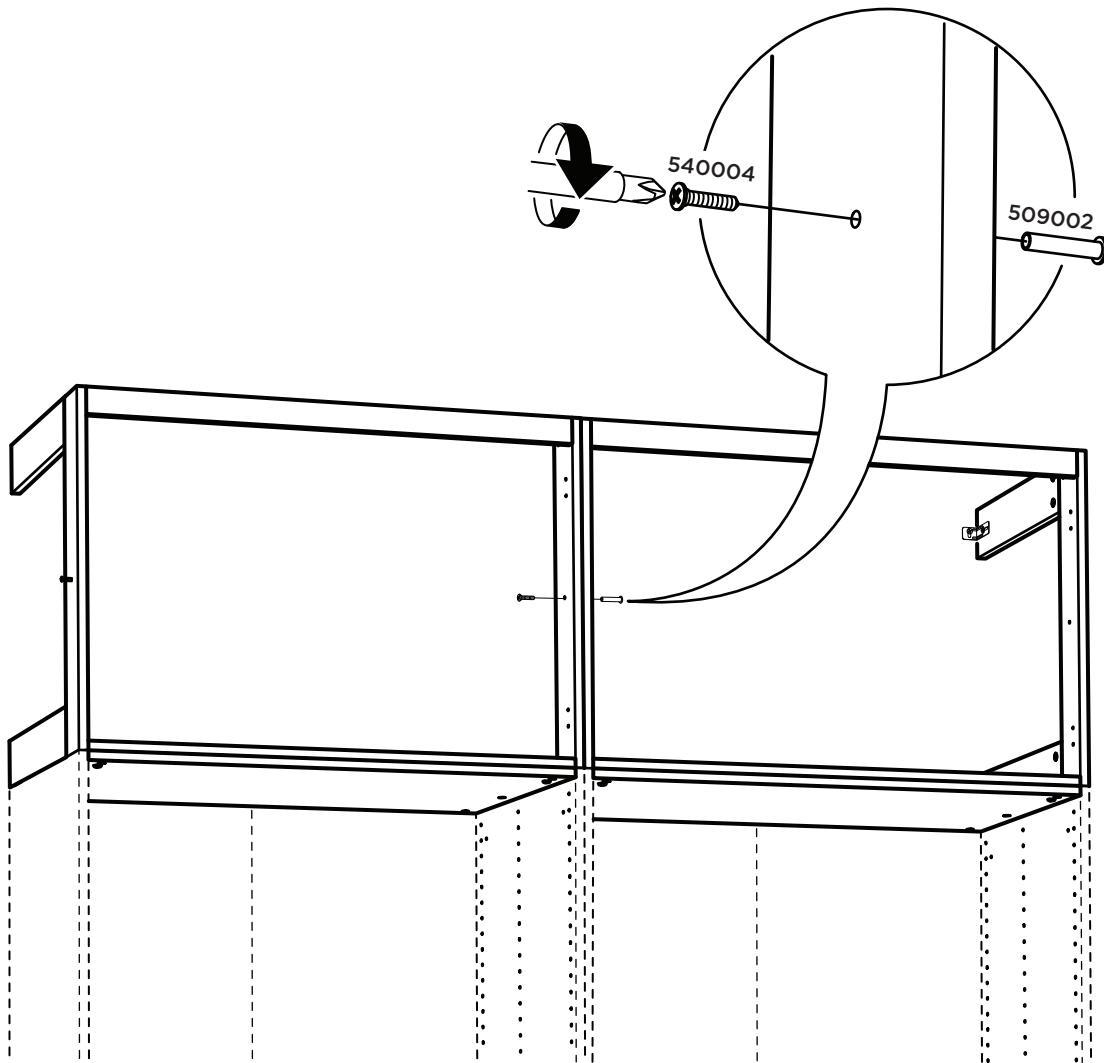
13



14



15



**metercube**