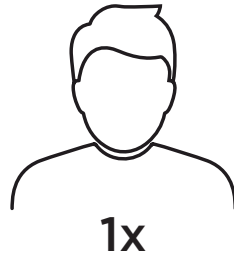


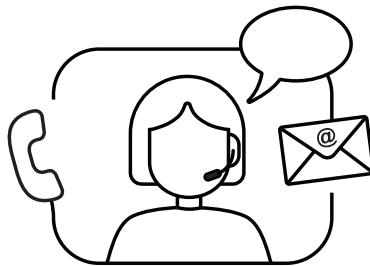
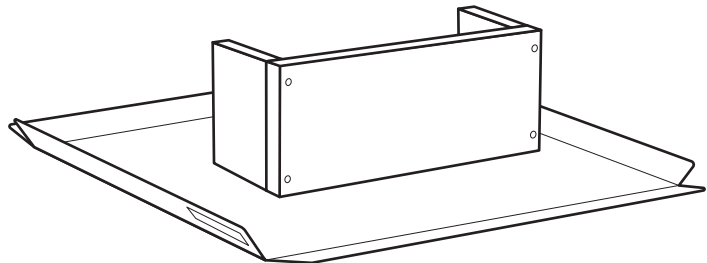
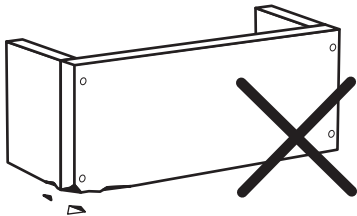
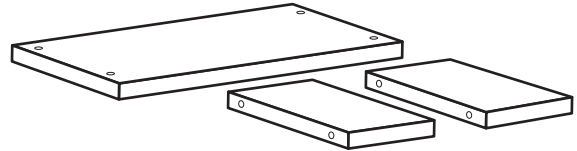
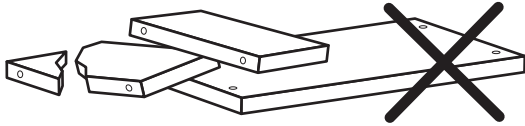
alley

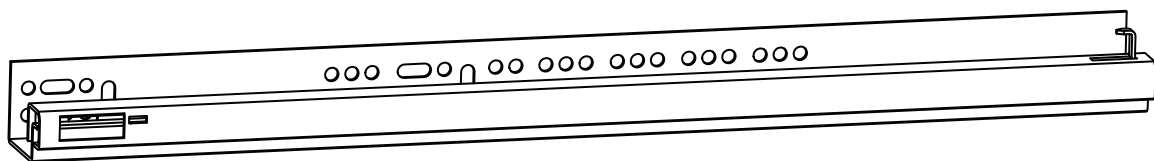
- 158.008.01
- 158.008.02
- 158.008.03
- 158.008.04
- 158.008.05
- 158.008.06
- 158.008.07
- 158.008.08
- 158.008.09
- 158.008.10
- 158.008.11
- 158.008.12

metercube



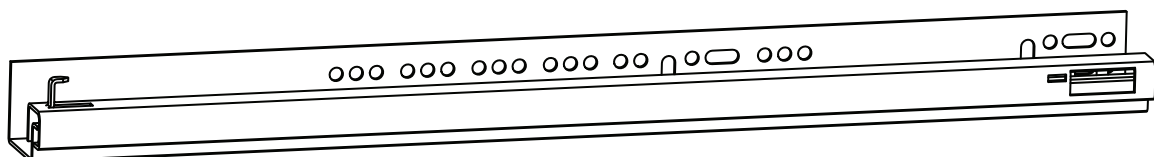
1x





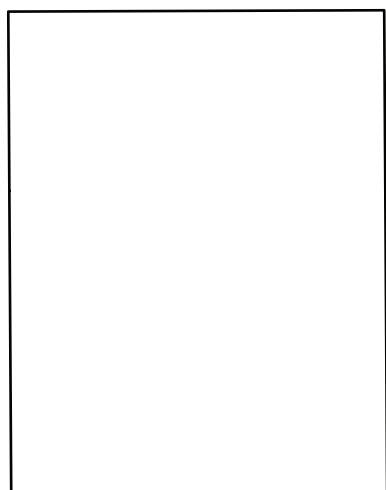
462001

1x

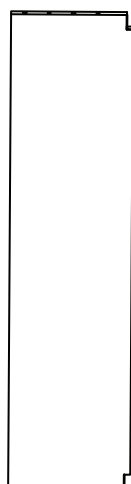


462002

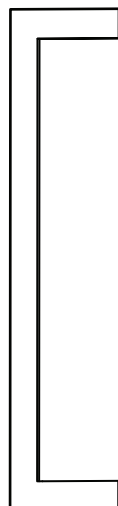
1x



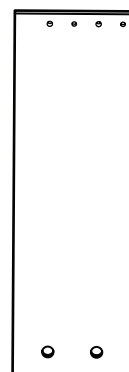
1x



1x



1x

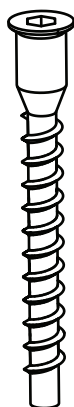


2x



357008

8x



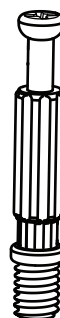
520002

4x



481001

4x



398001

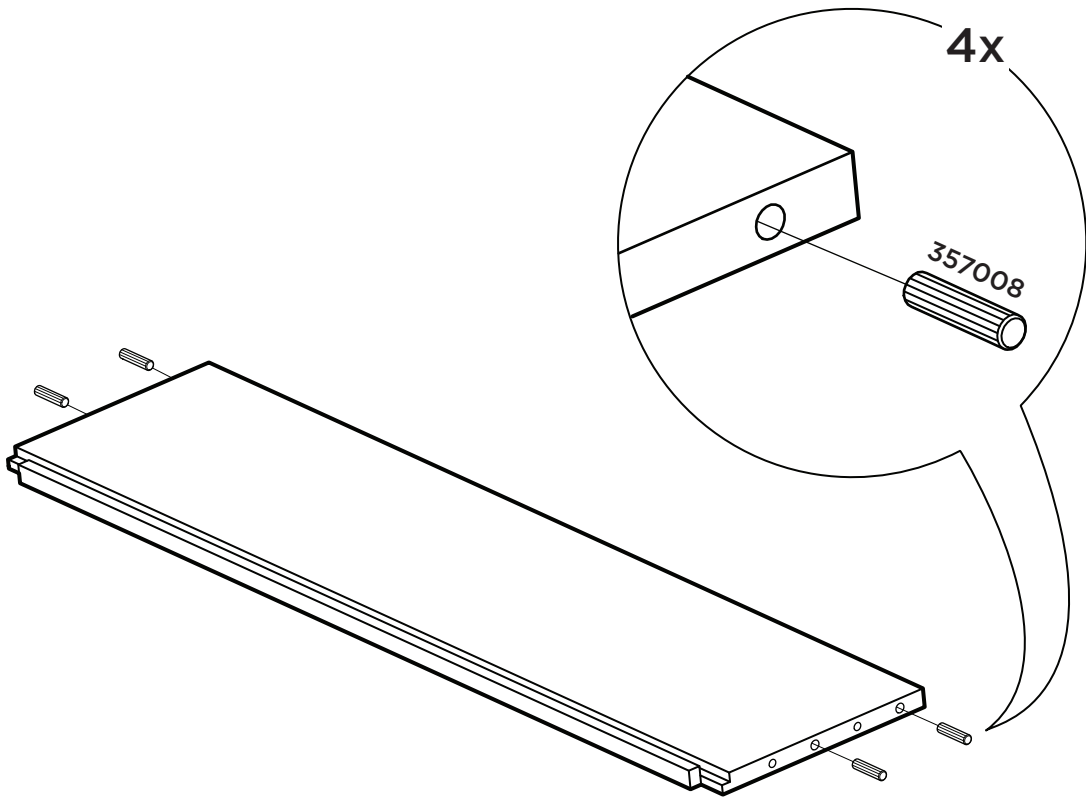
4x



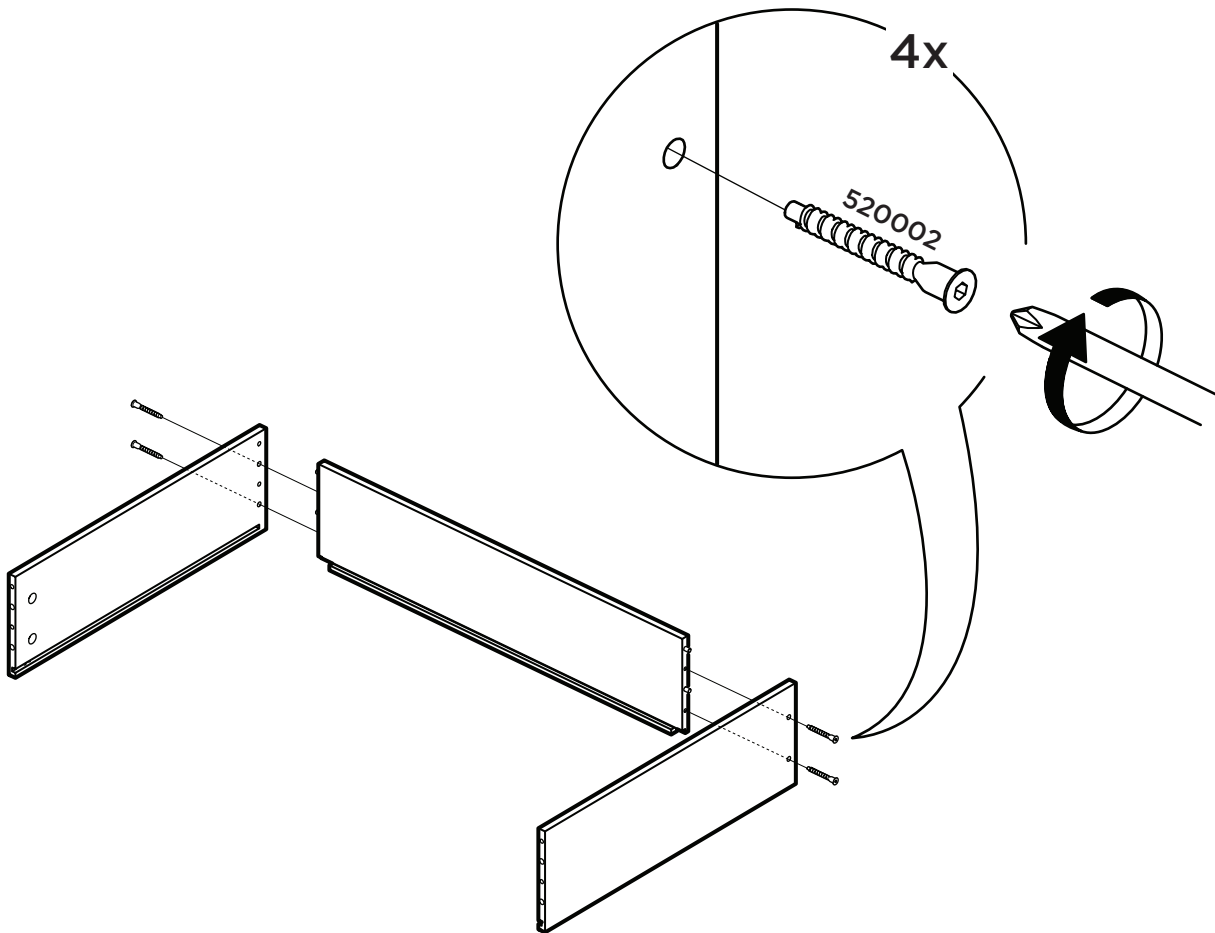
399005

4x

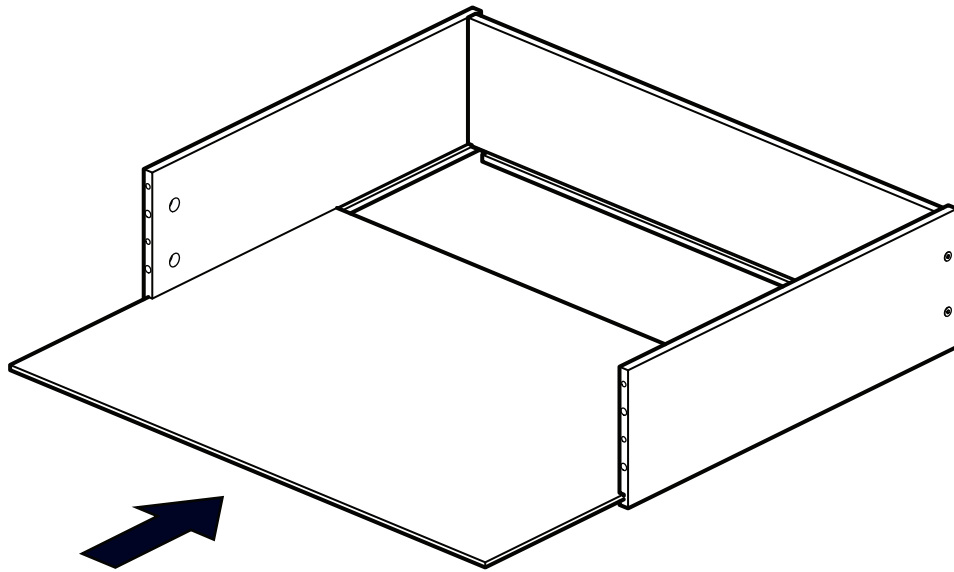
1



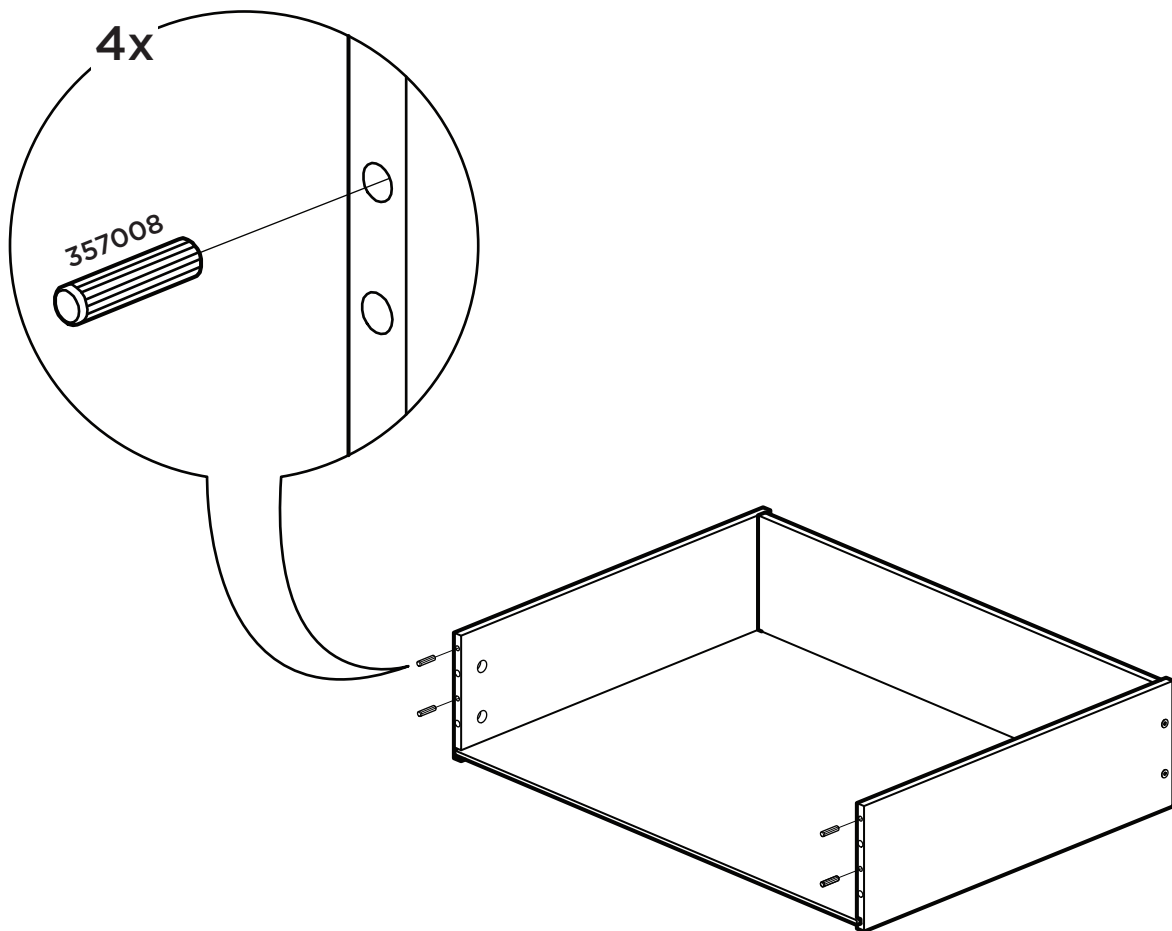
2



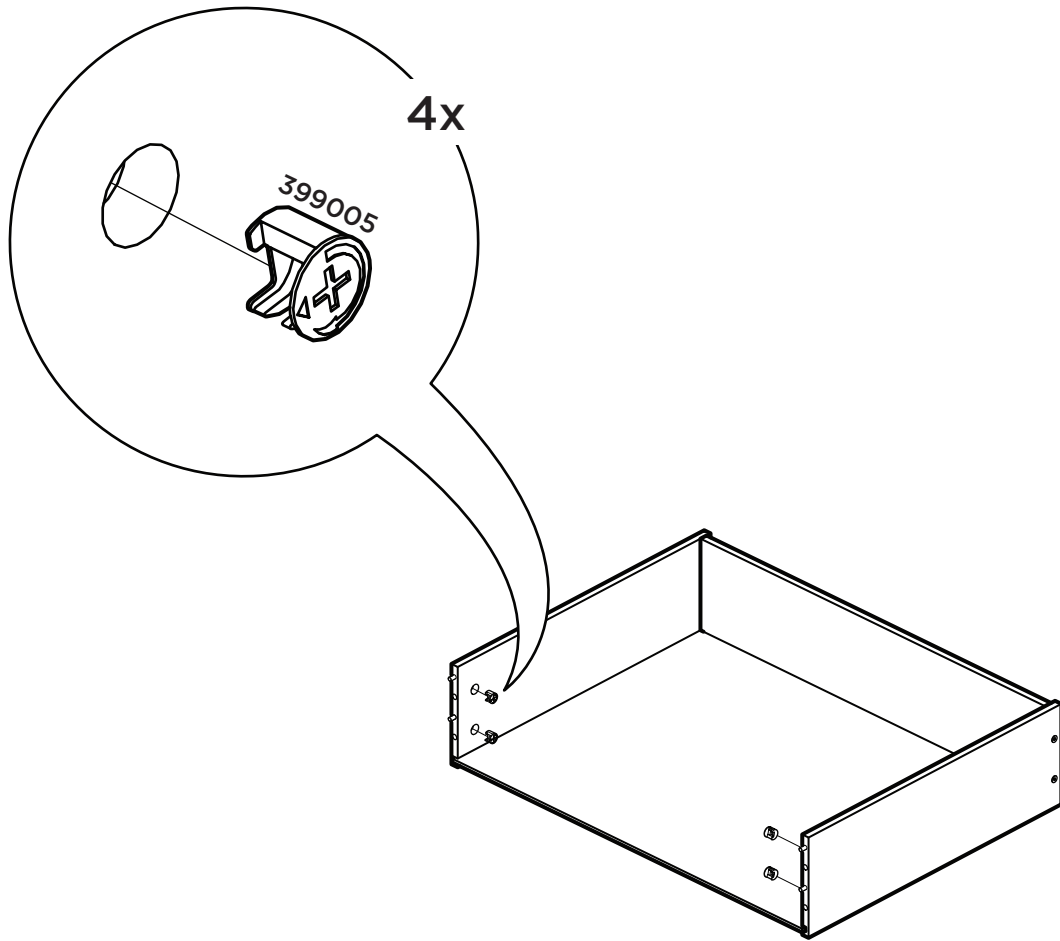
3



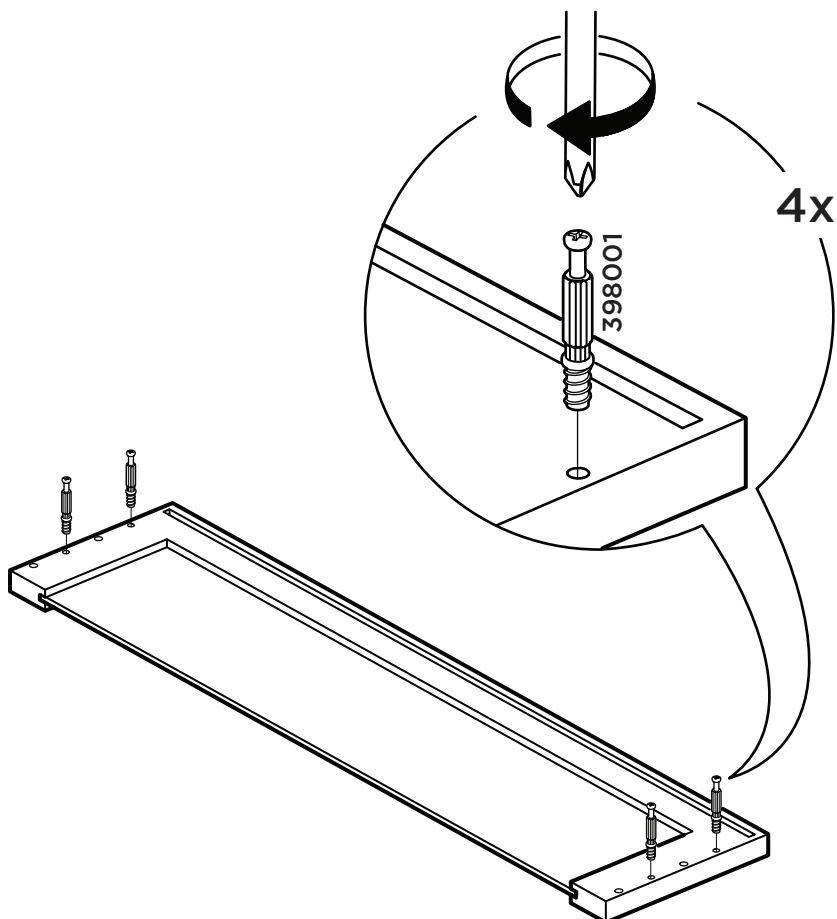
4

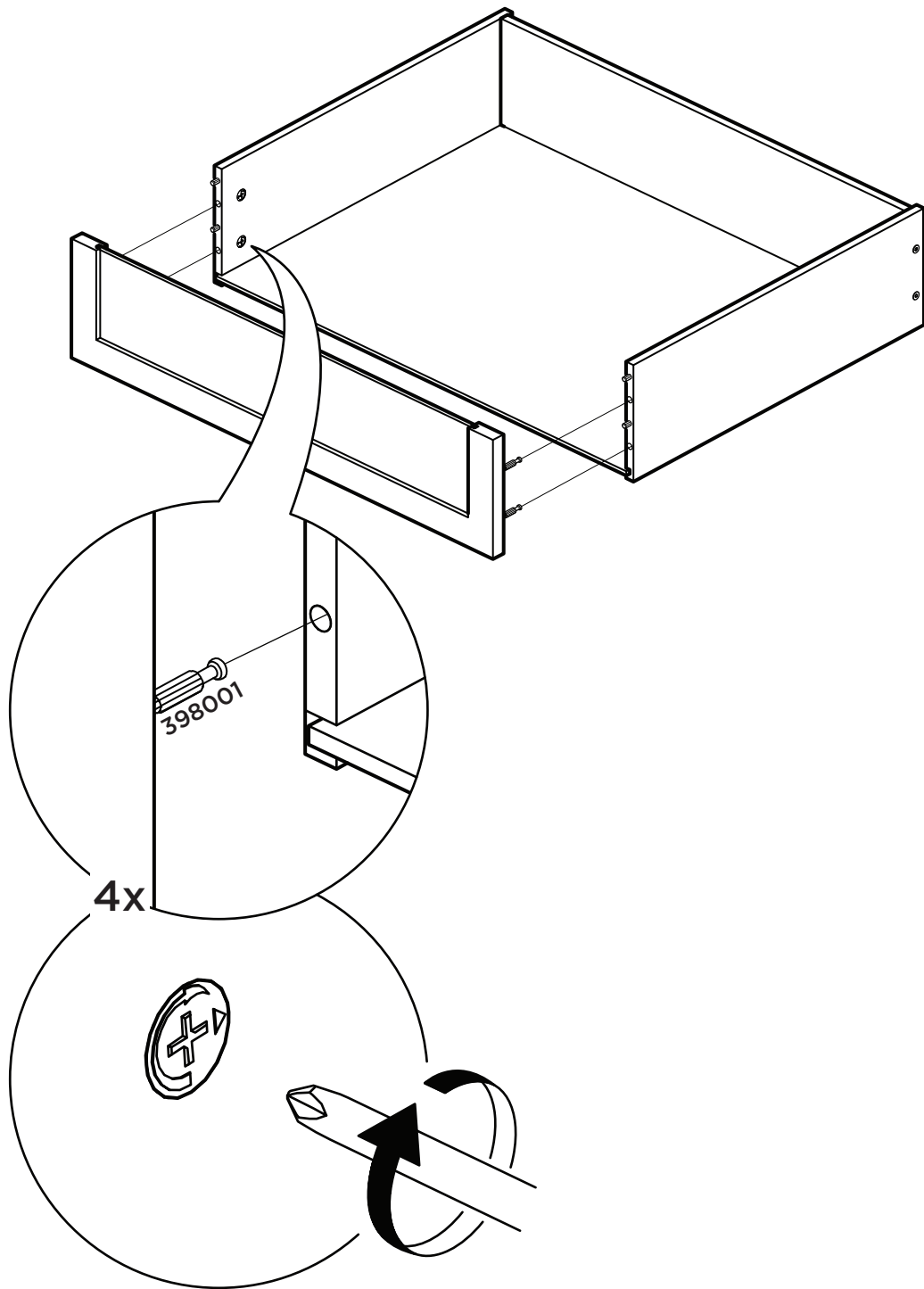


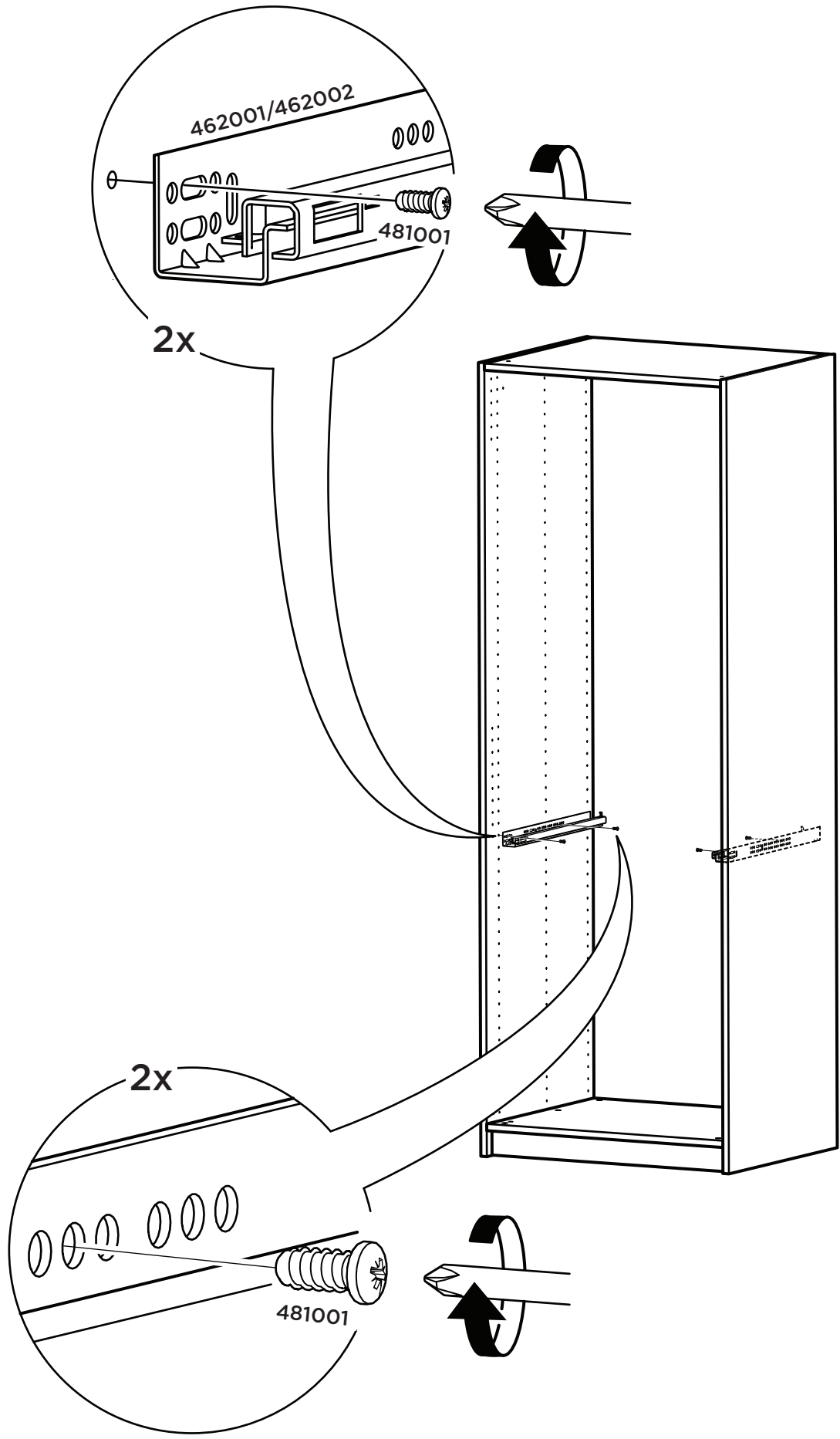
5

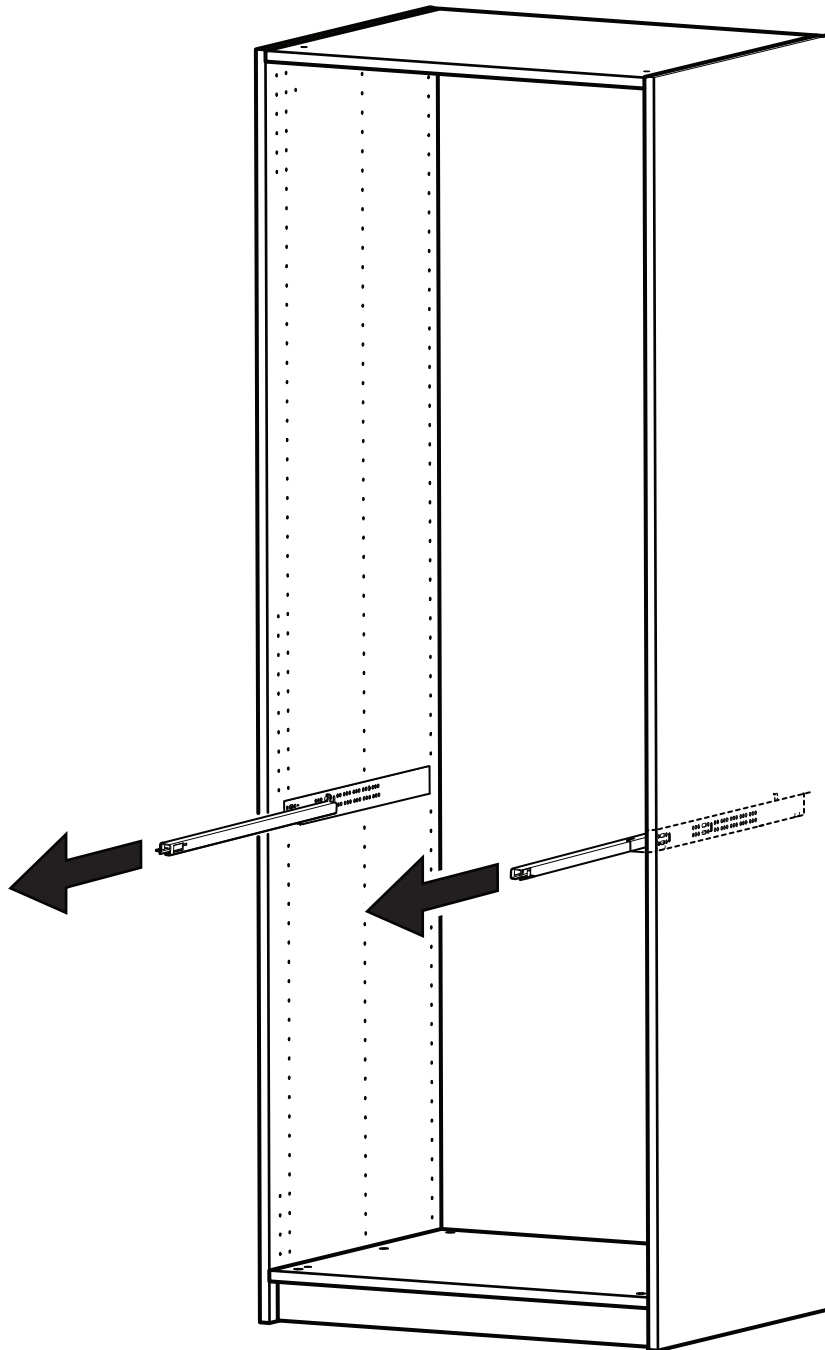


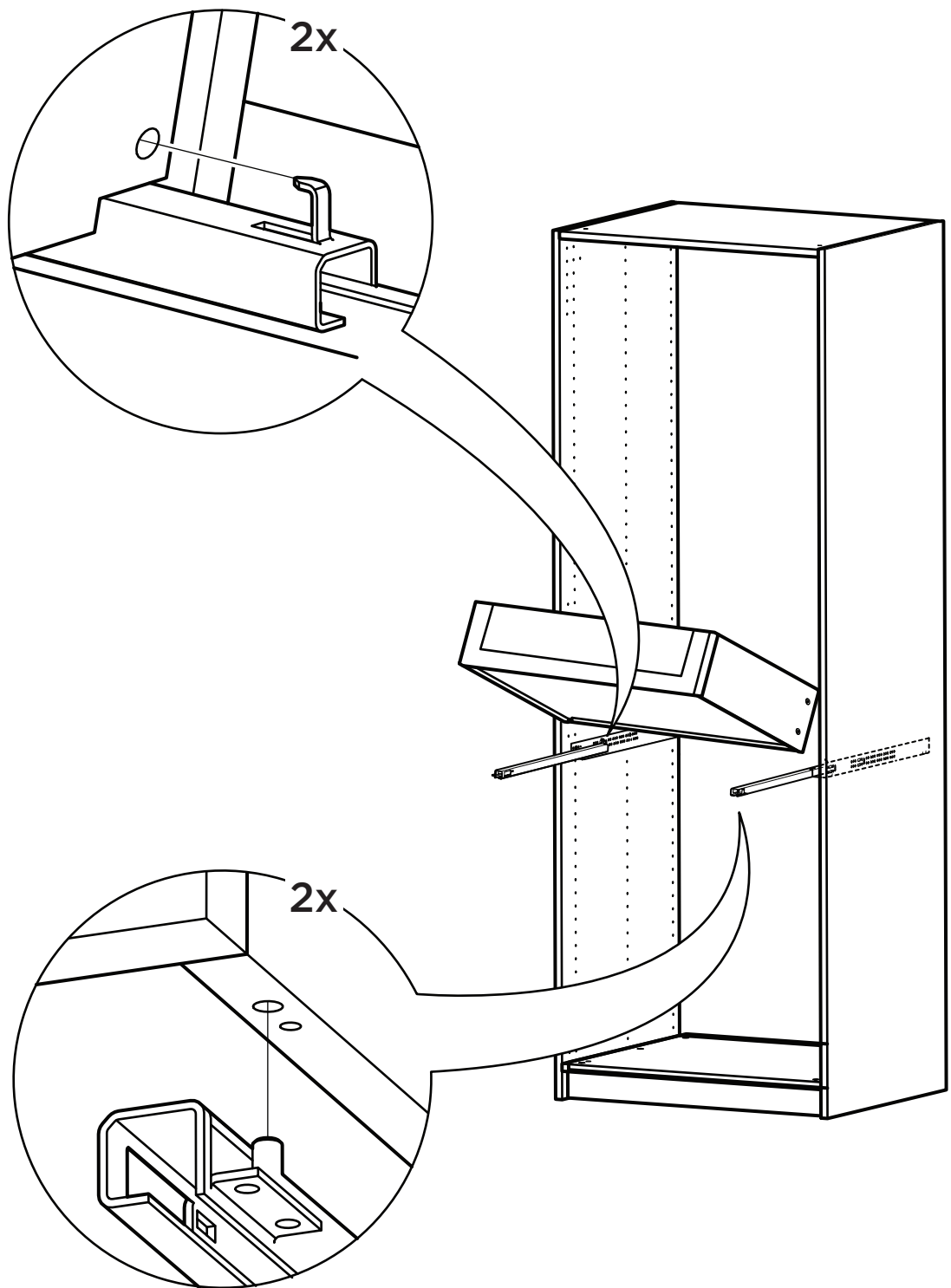
6

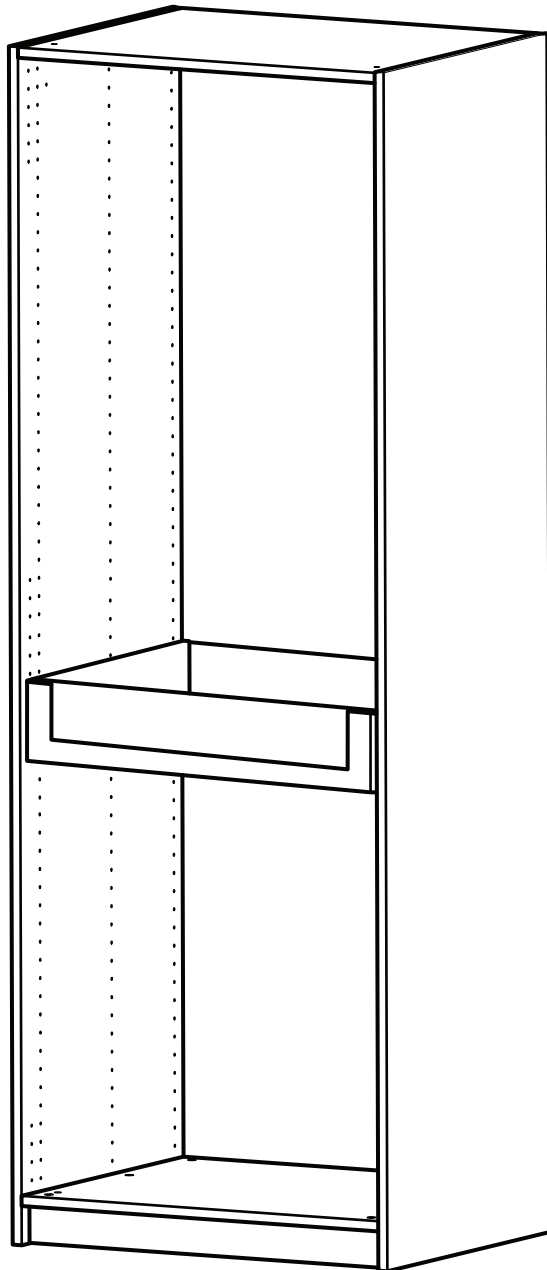












metercube