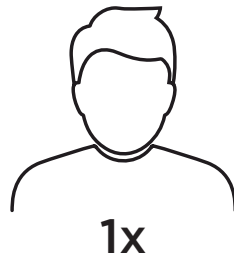


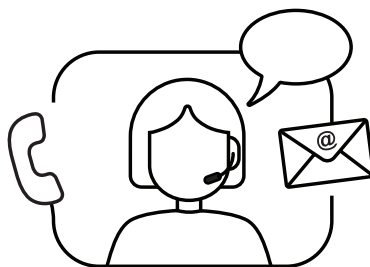
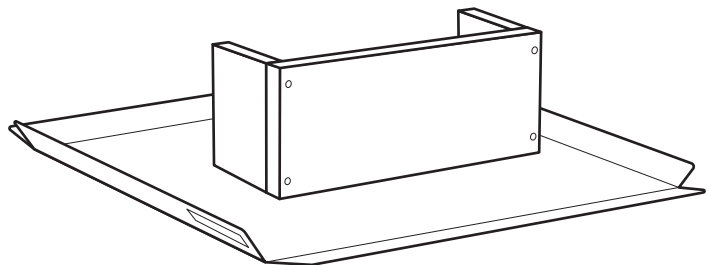
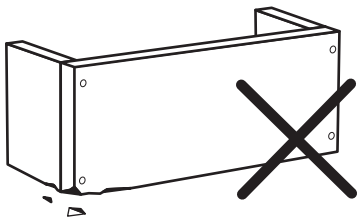
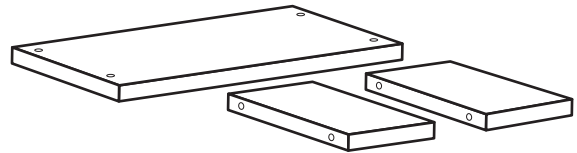
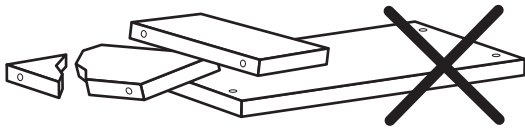
# alley

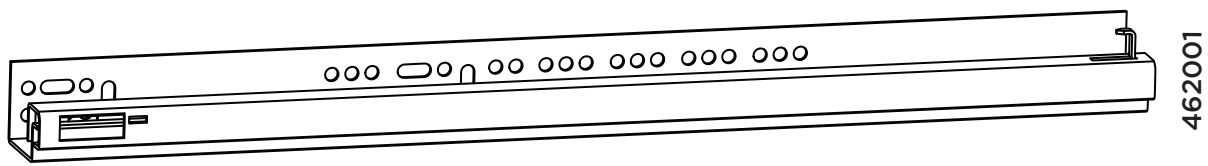
- 158.009.01
- 158.009.02
- 158.009.03
- 158.009.04
- 158.009.05
- 158.009.06
- 158.009.07
- 158.009.08
- 158.009.09
- 158.009.10
- 158.009.11
- 158.009.12

metercube

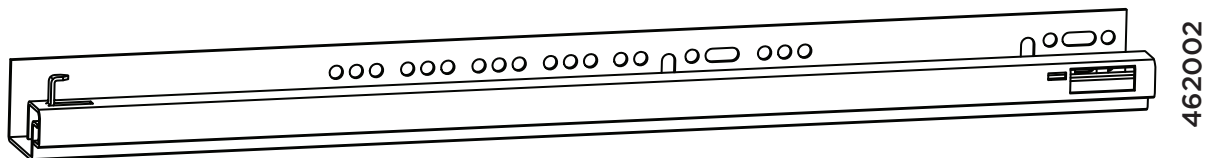


1x

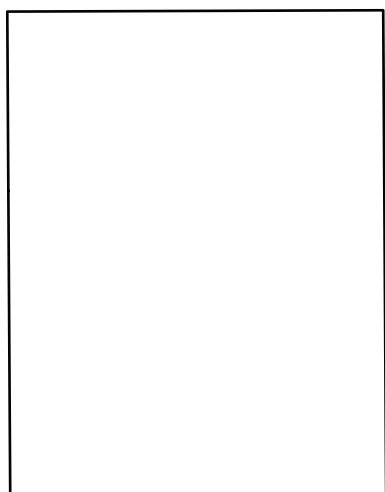




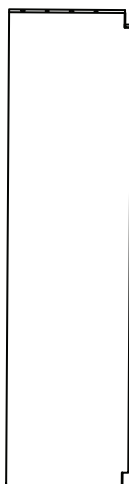
1x



1x



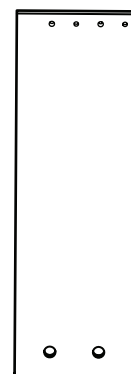
1x



1x



1x

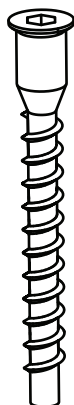


2x



357008

8x



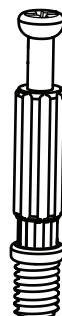
520002

4x



481001

4x



398001

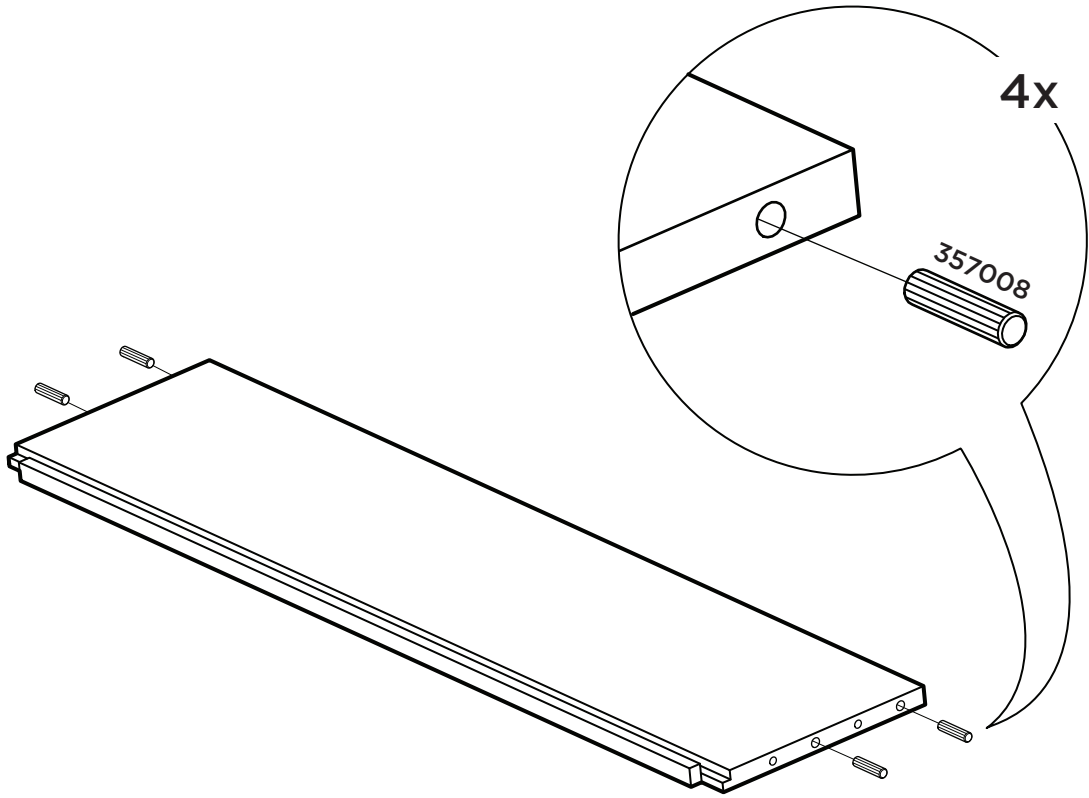
4x



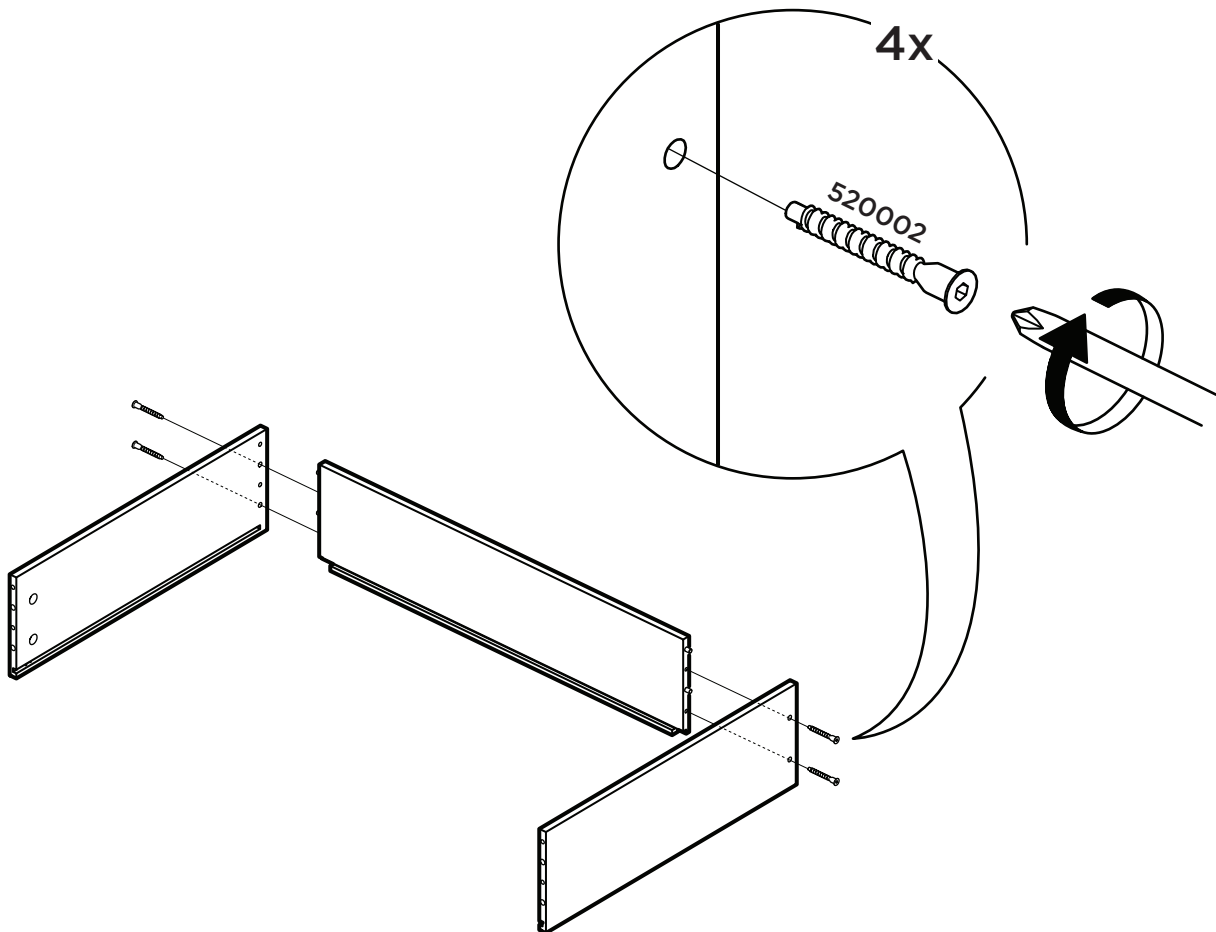
399005

4x

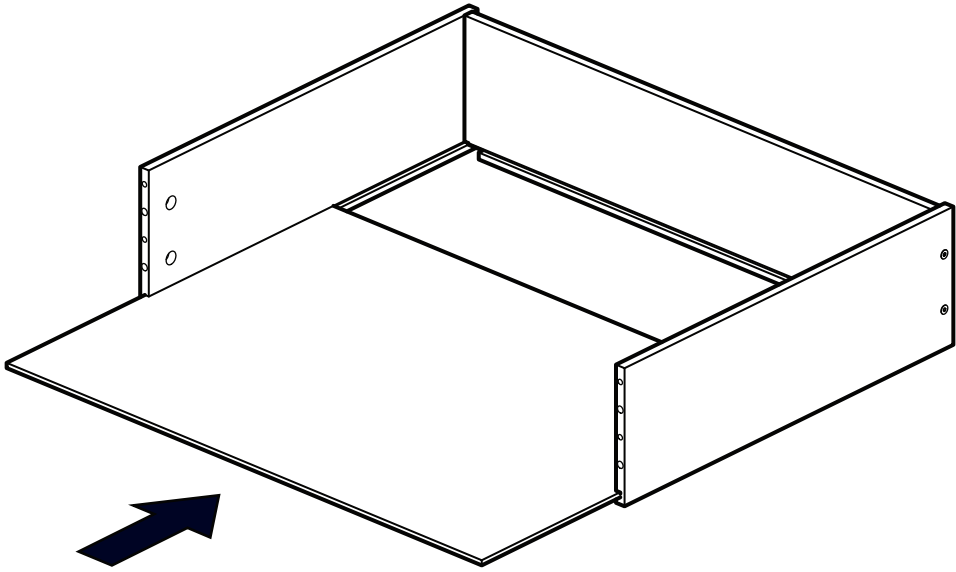
1



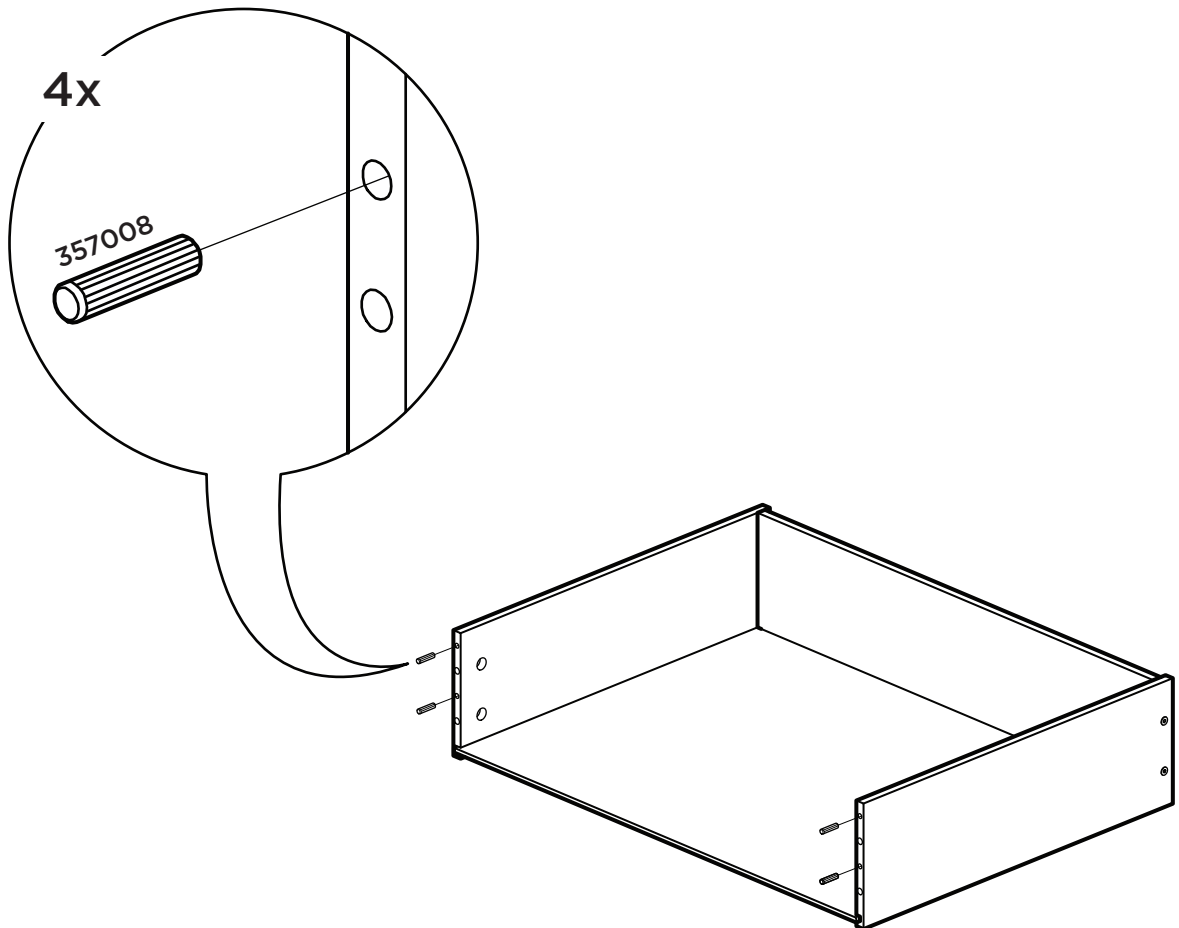
2



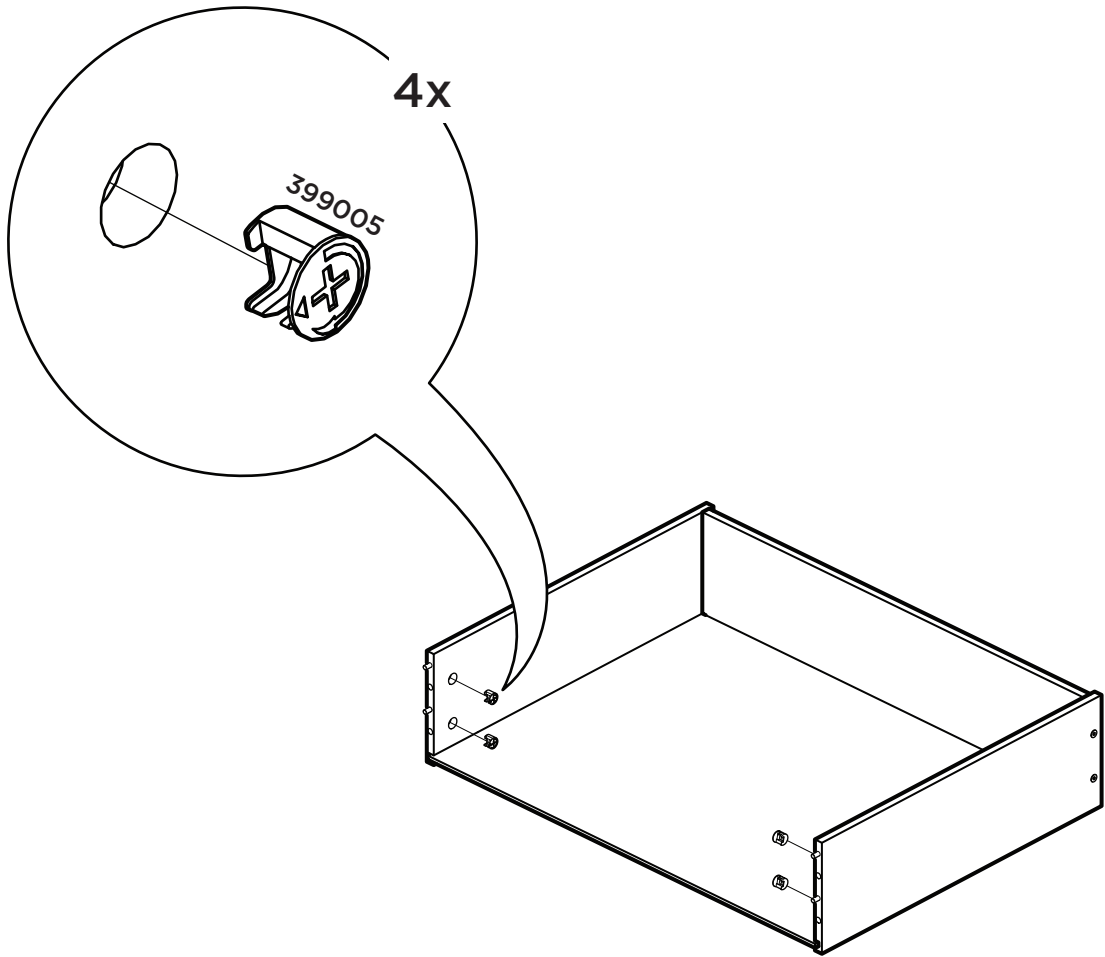
3



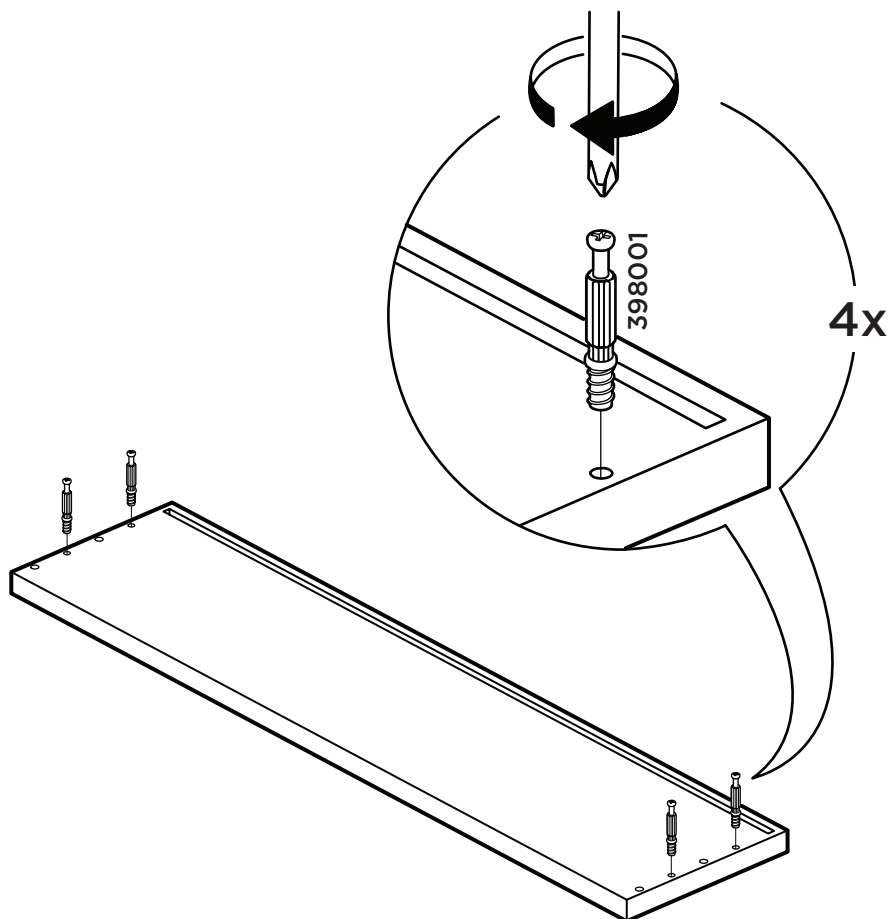
4

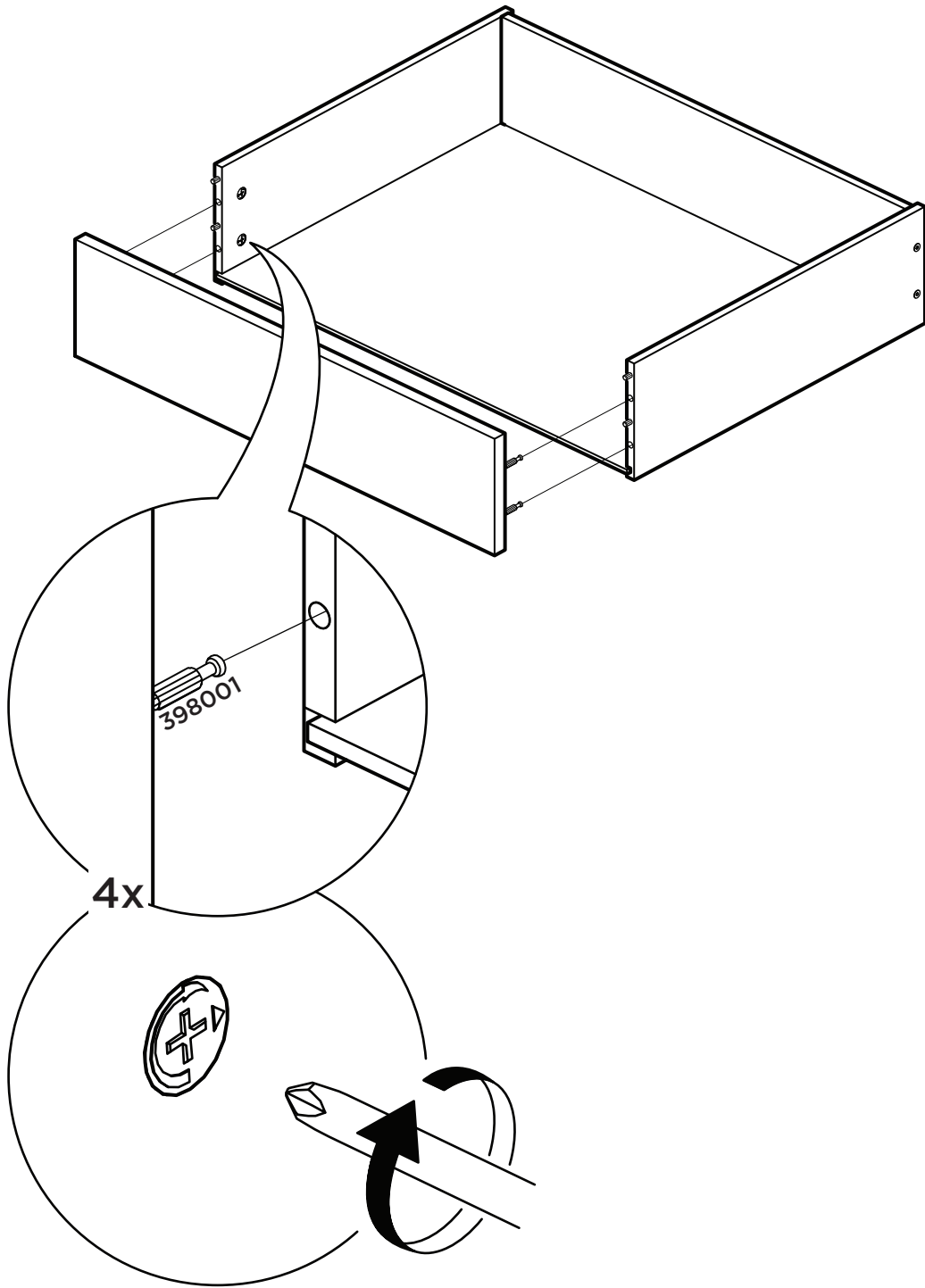


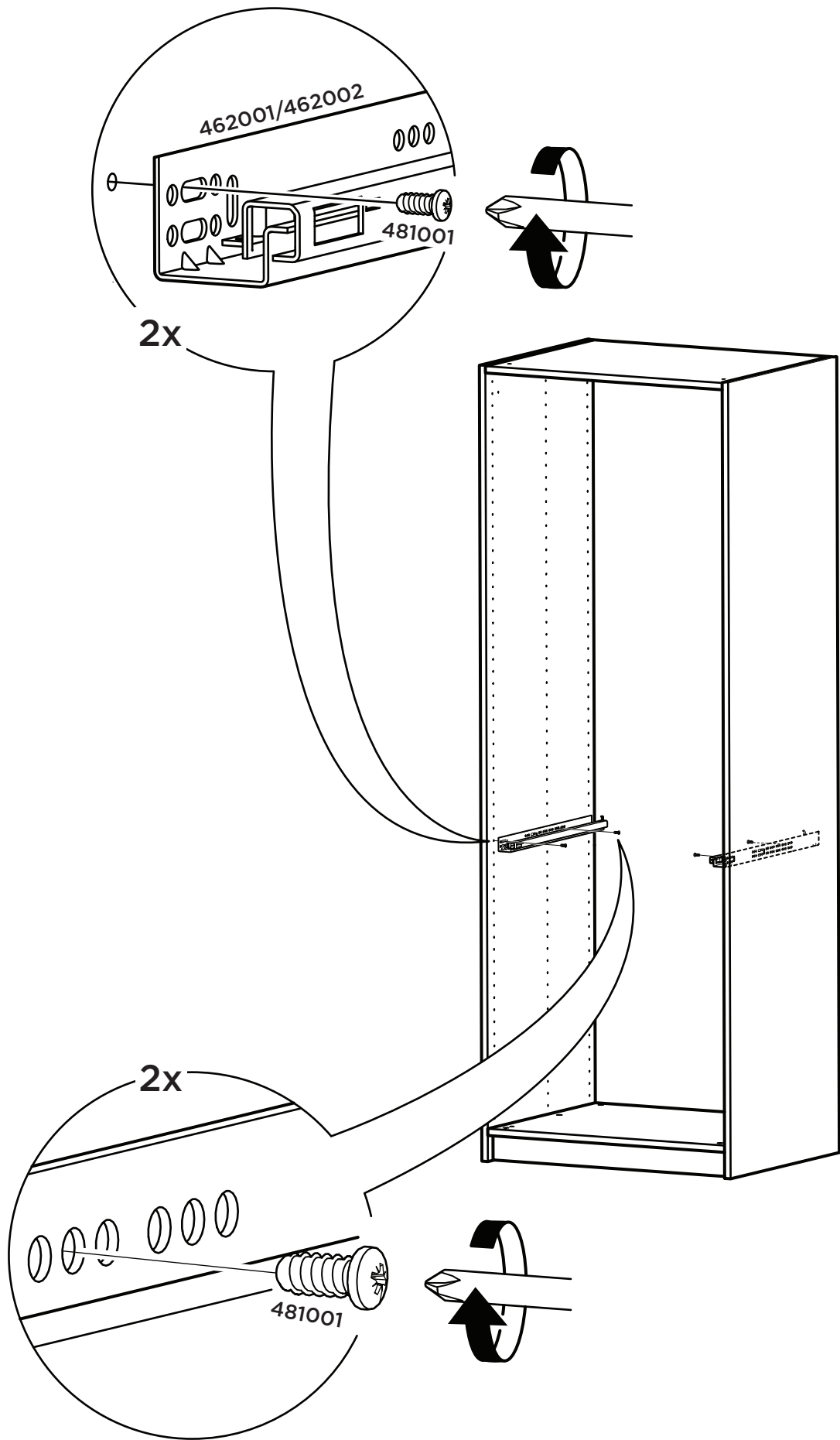
5



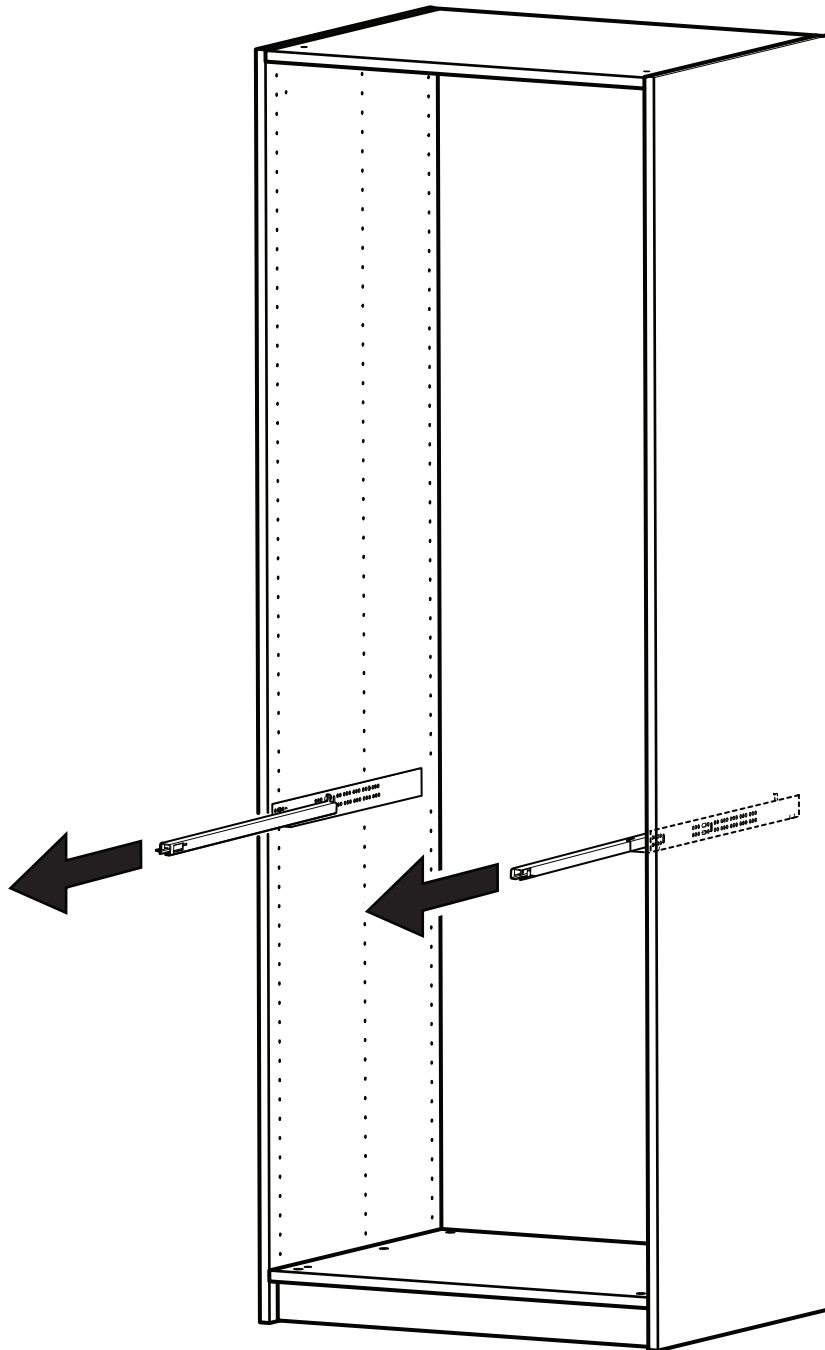
6

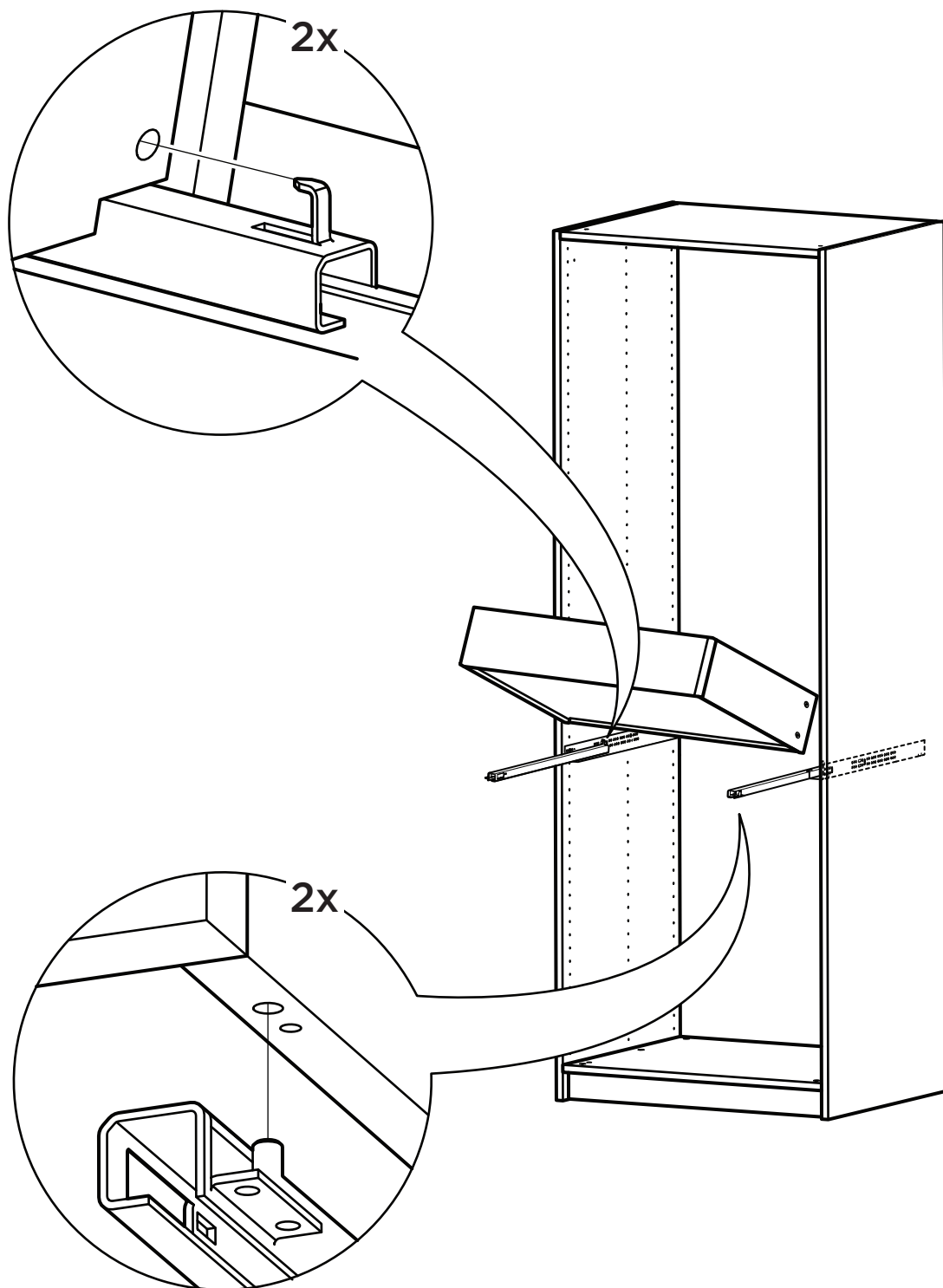


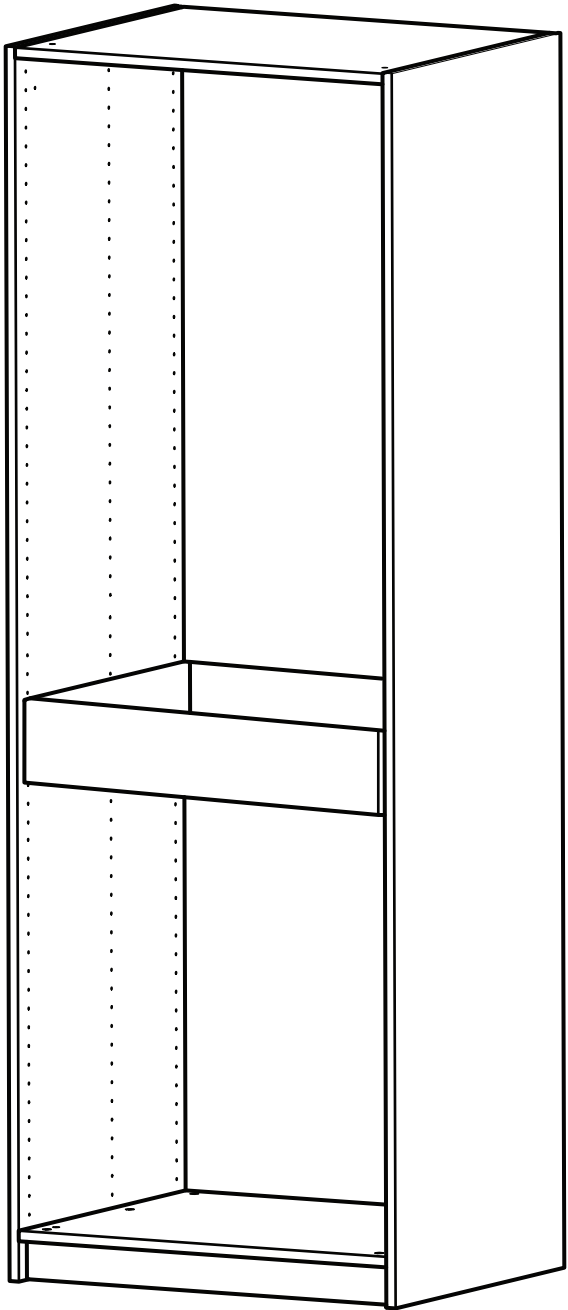












**metercube**