

alley

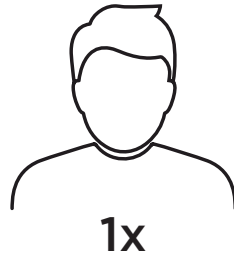
158.010.01

158.010.03

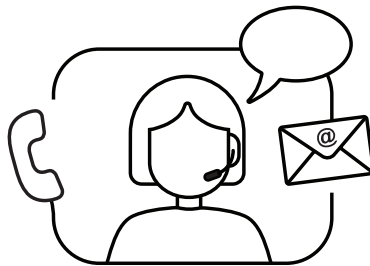
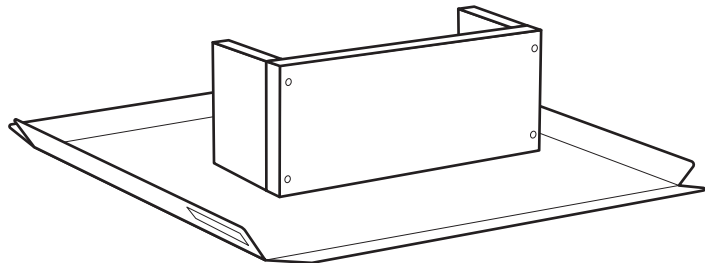
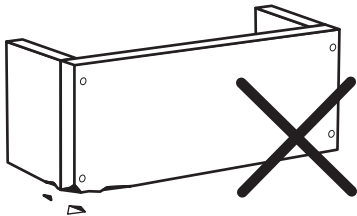
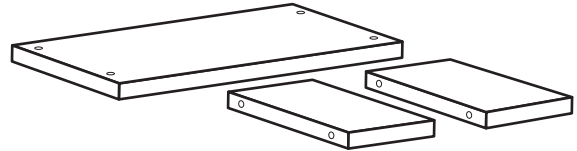
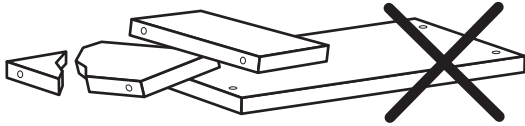
158.010.05

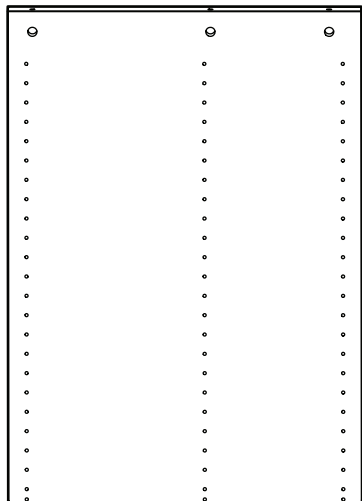
158.010.07

metercube

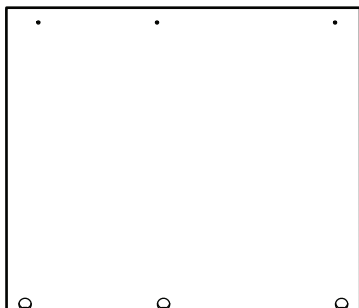


1x

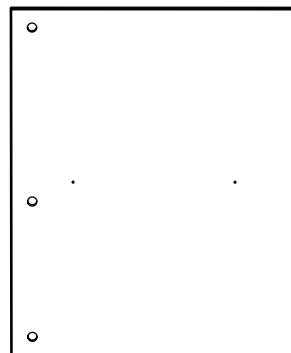




1x



1x



1x



526010

2x



391002

3x



398001

6x



399004

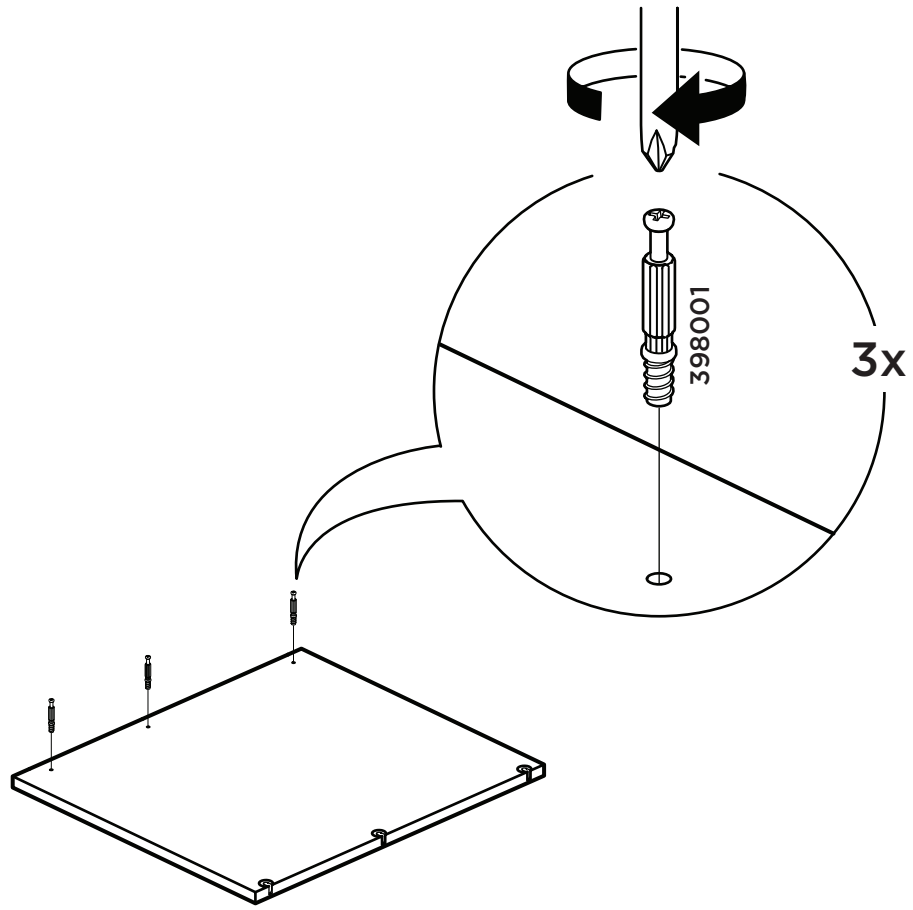
3x



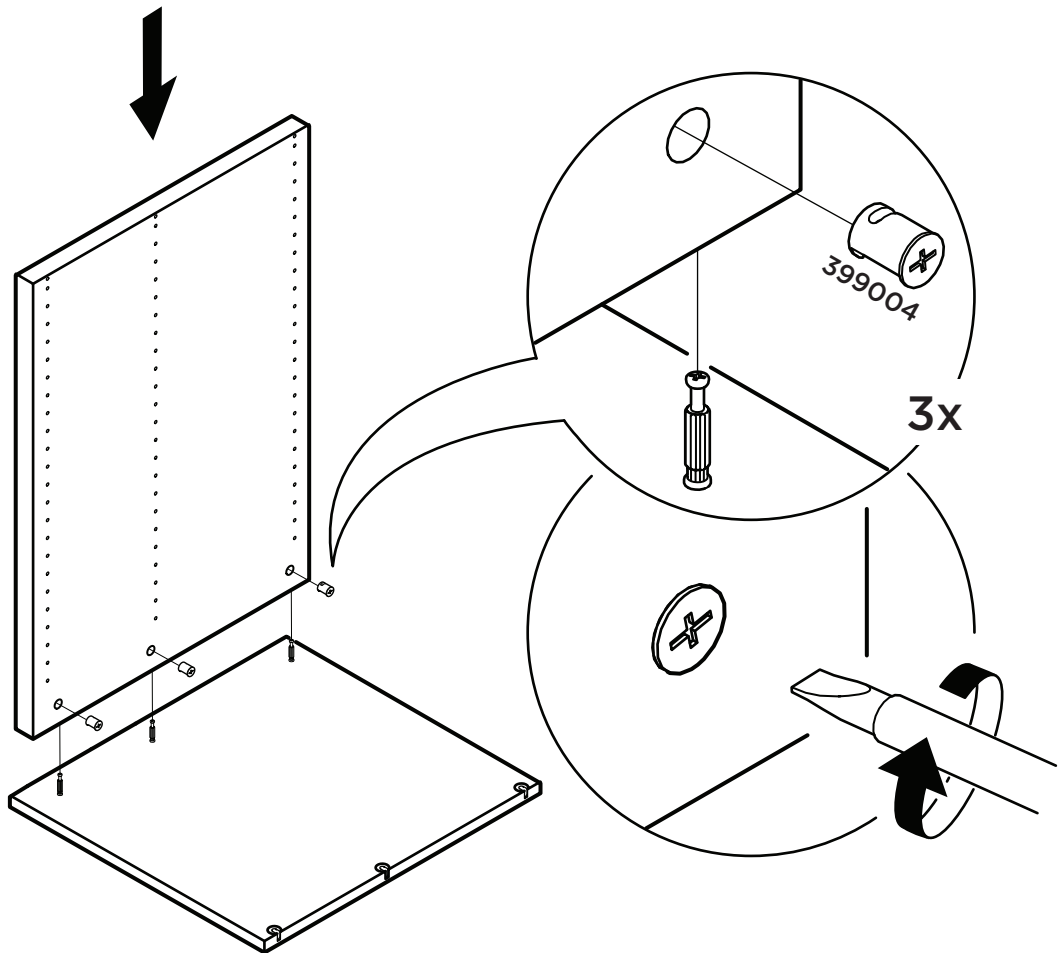
399005

3x

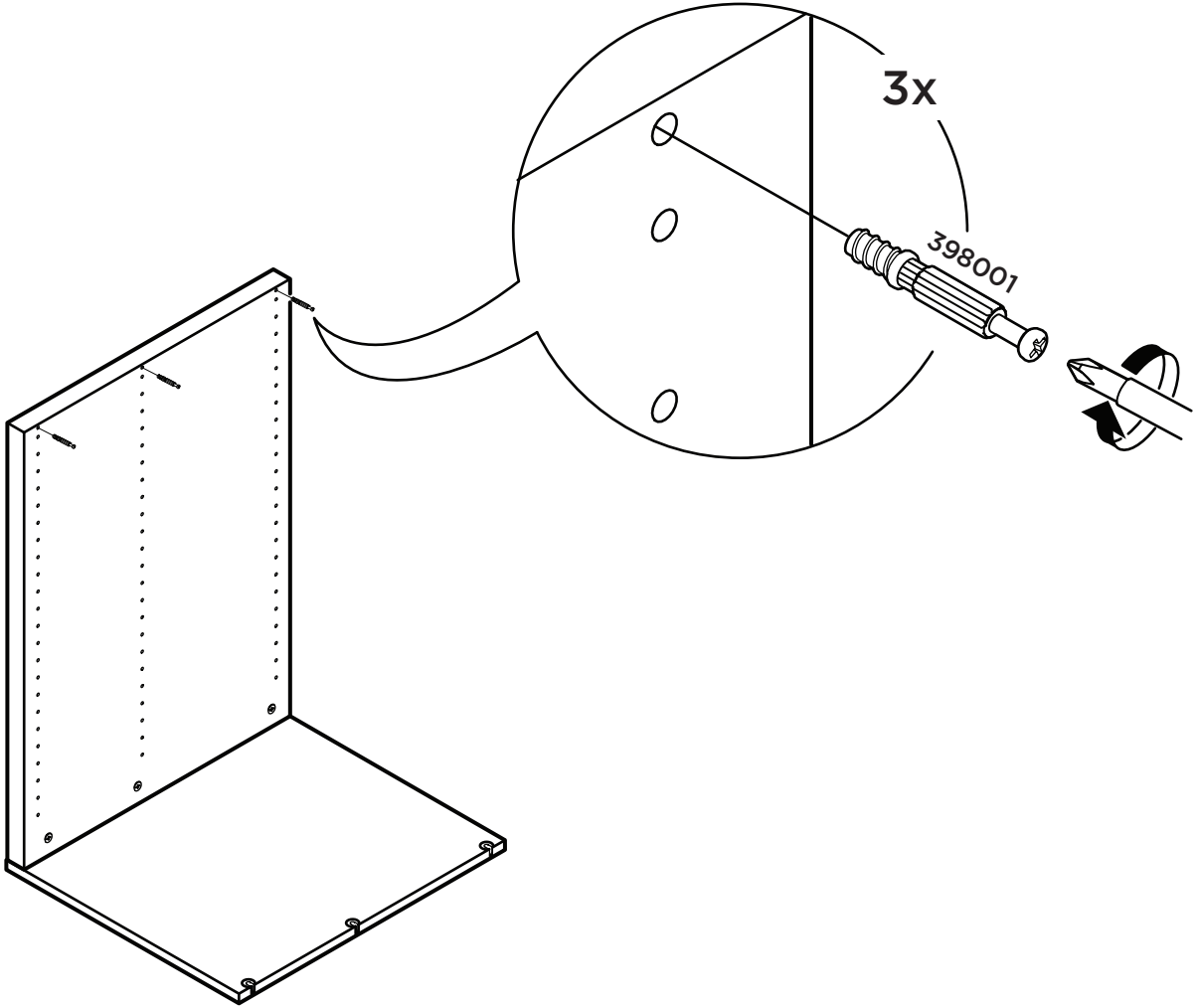
1



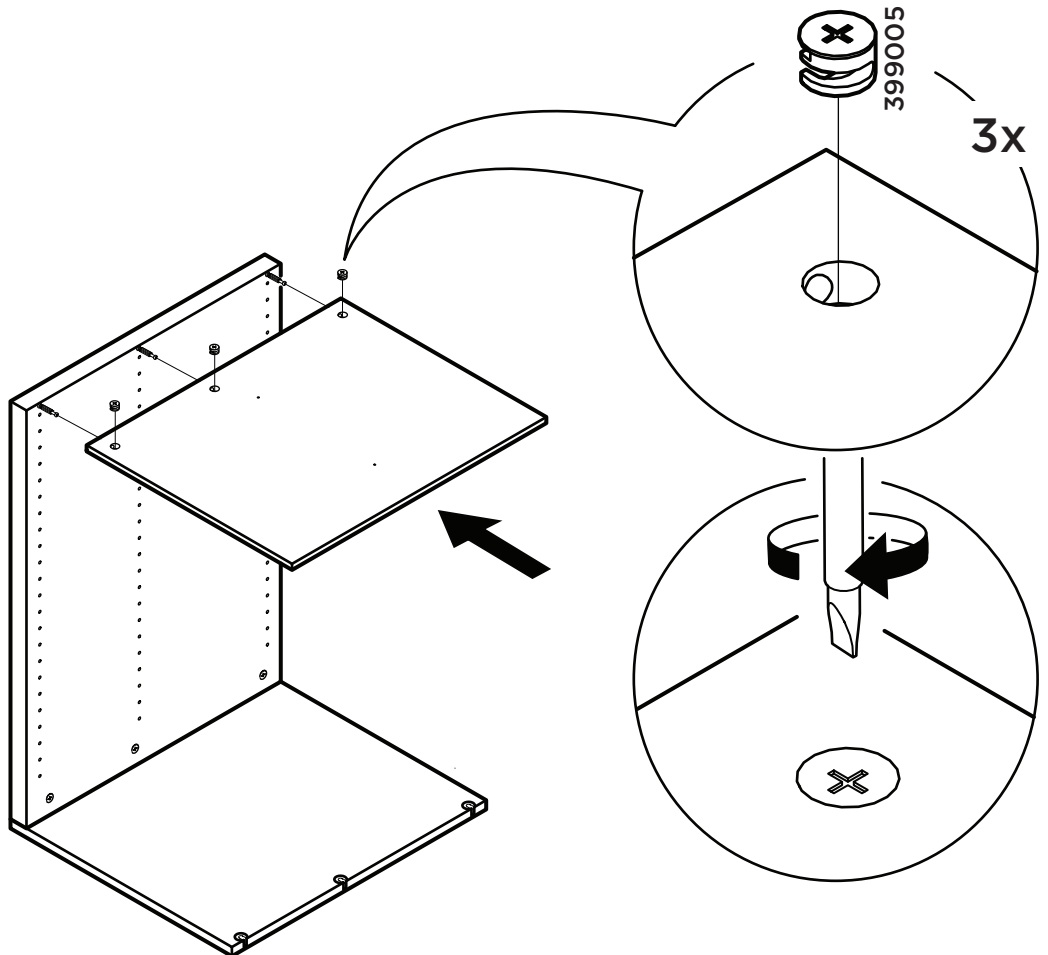
2



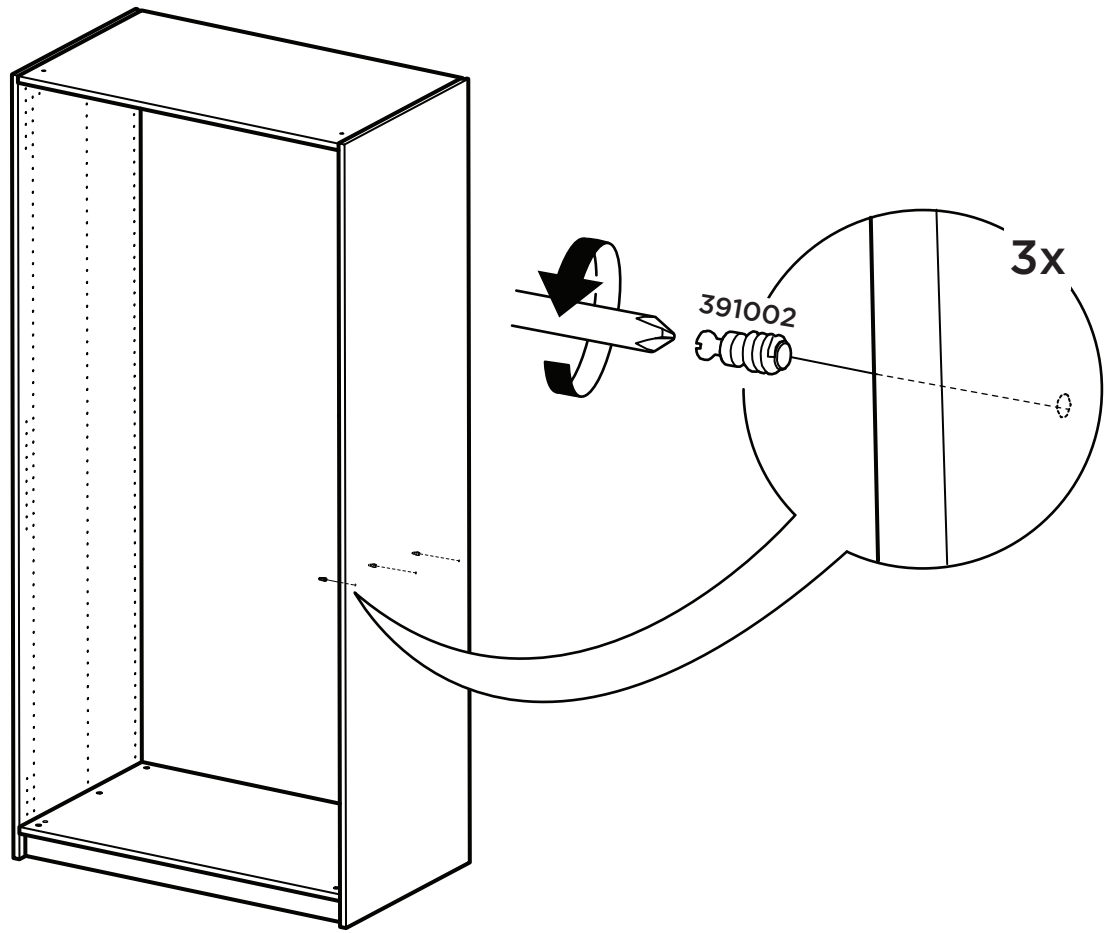
3



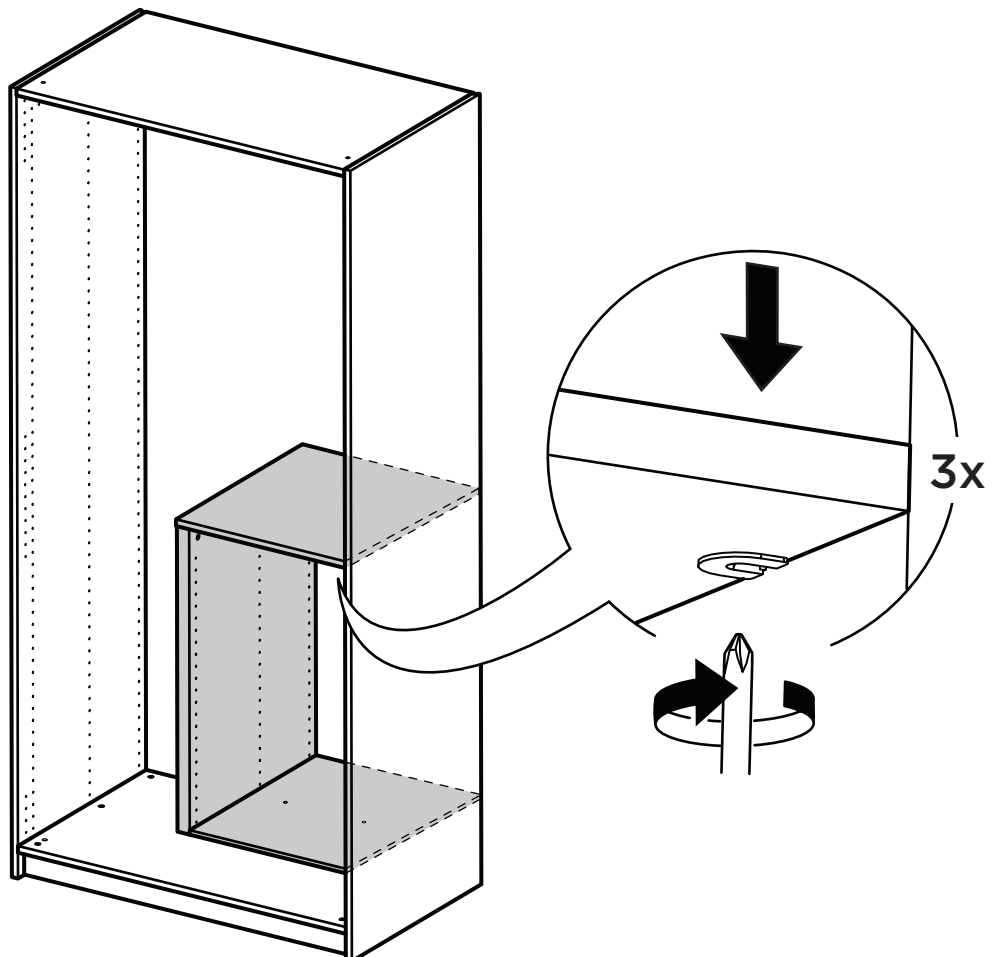
4

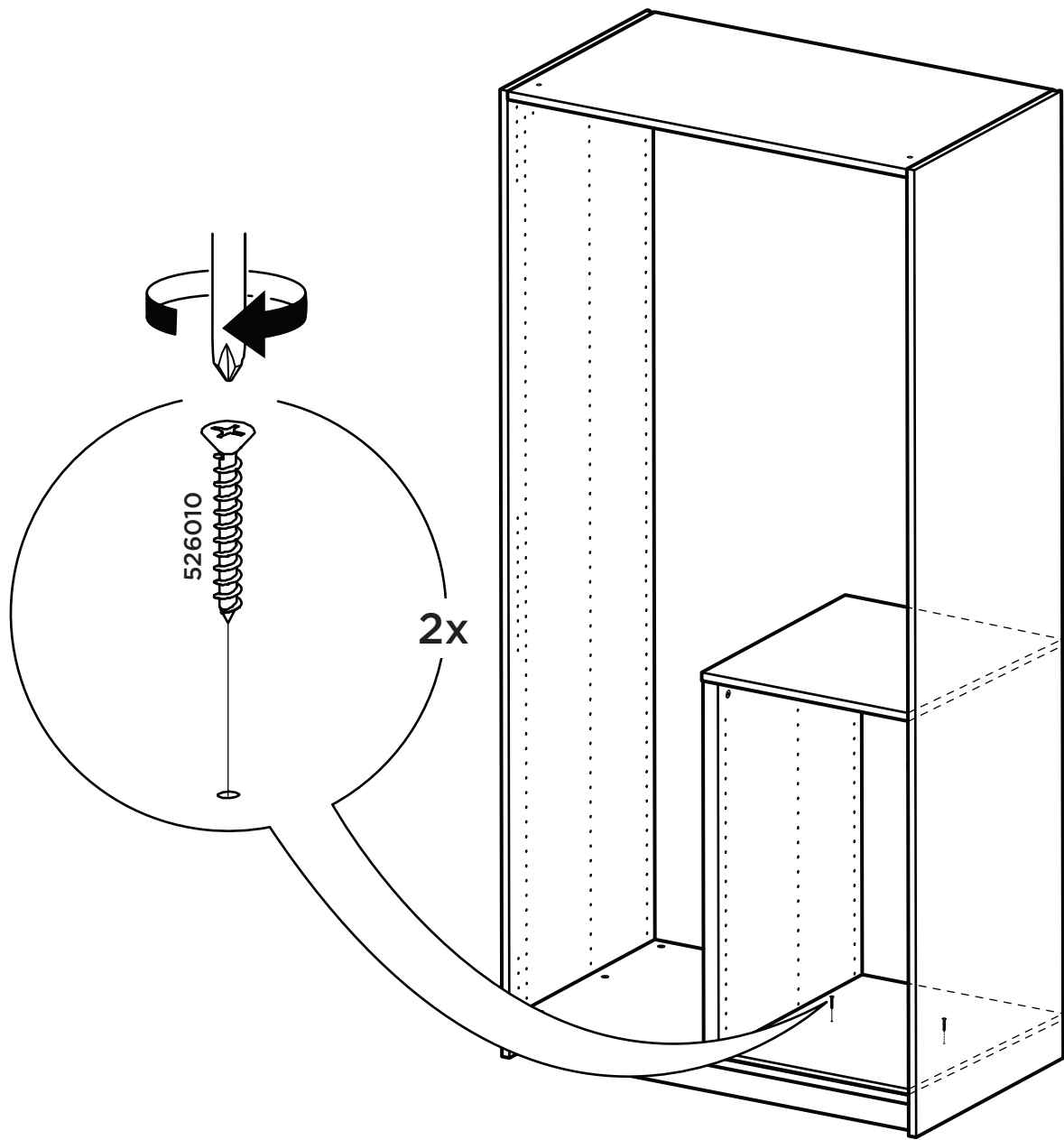


5



6





metercube