

# alley

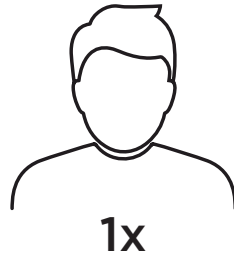
158.010.02

158.010.04

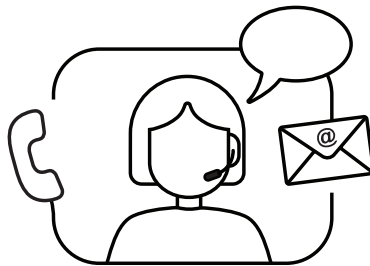
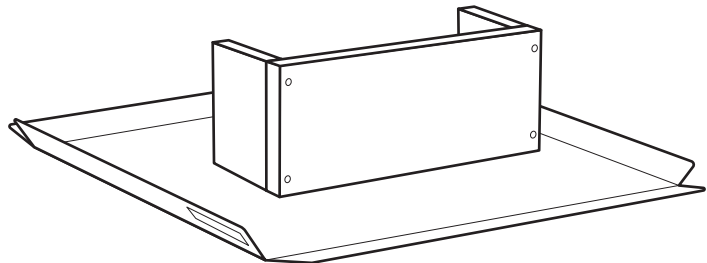
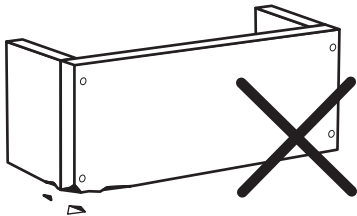
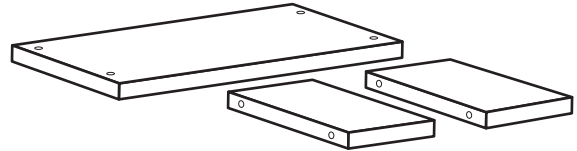
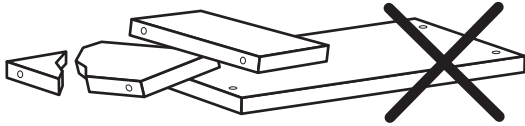
158.010.06

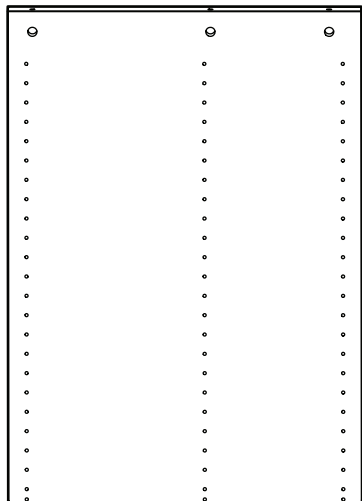
158.010.08

metercube

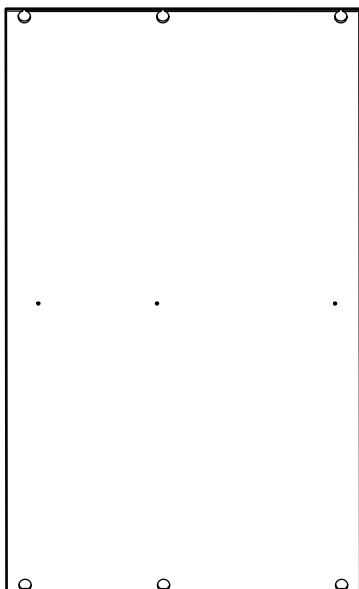


1x

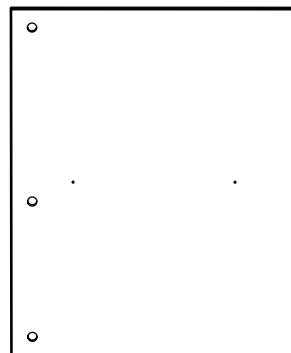




1x



1x



1x



526010

2x



391002

6x



398001

6x



399004

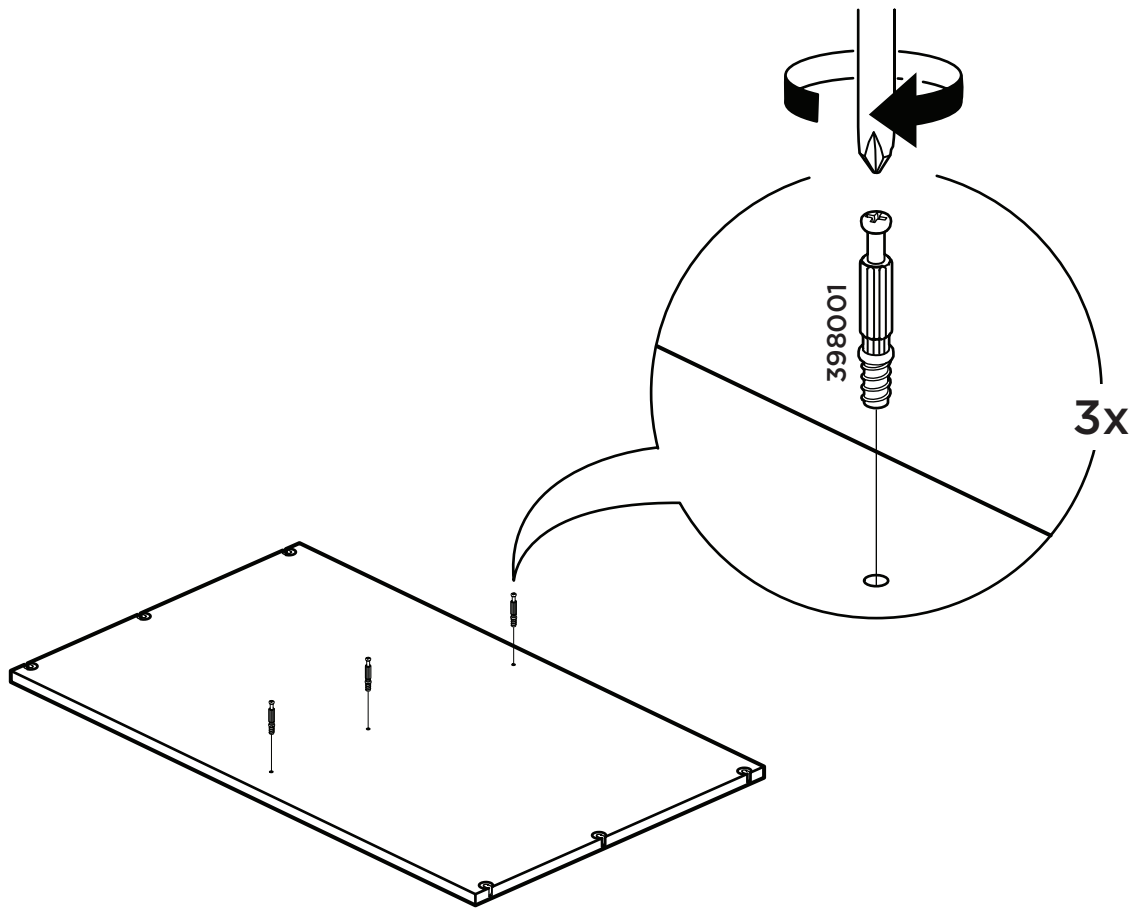
3x



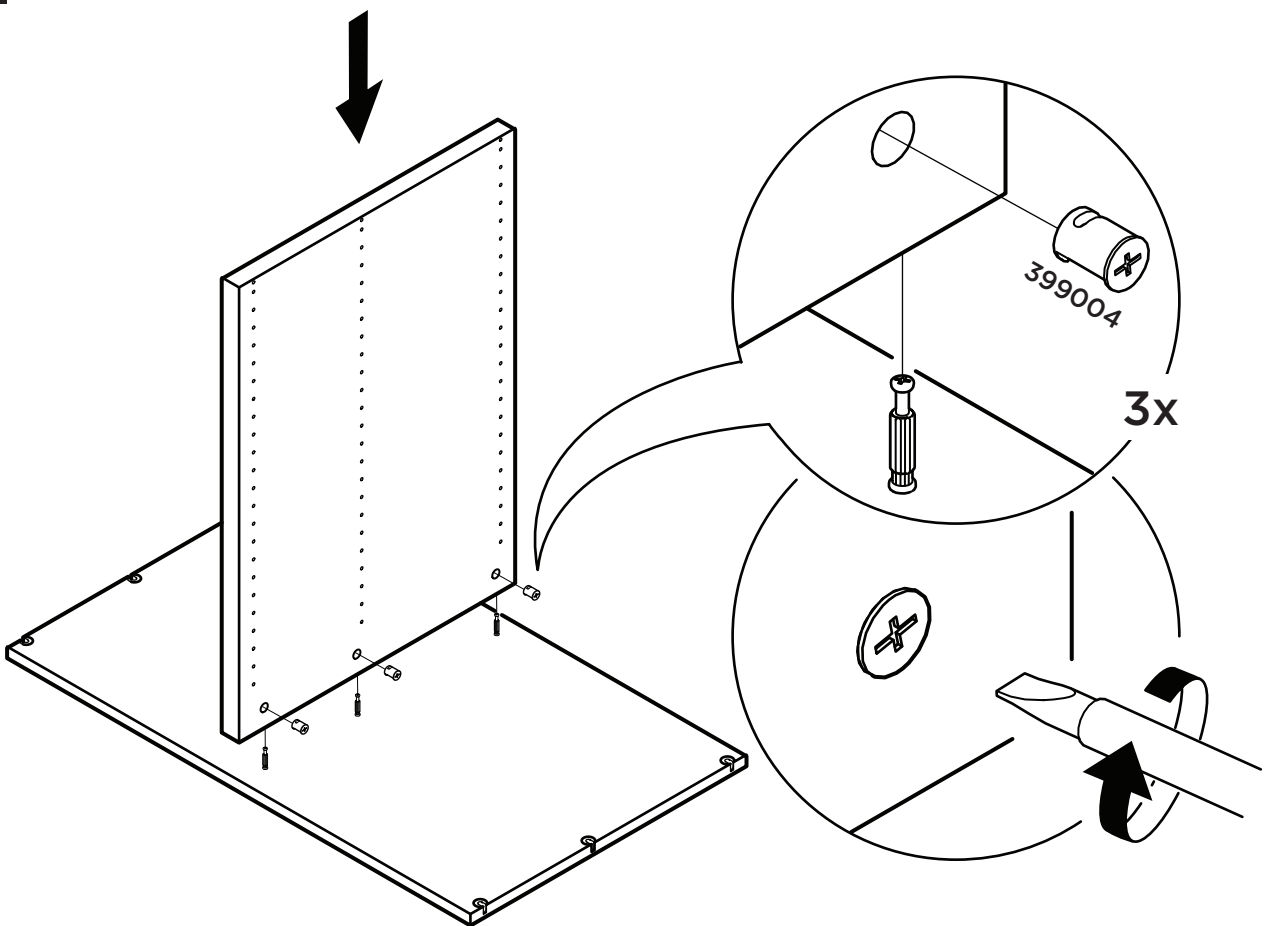
399005

3x

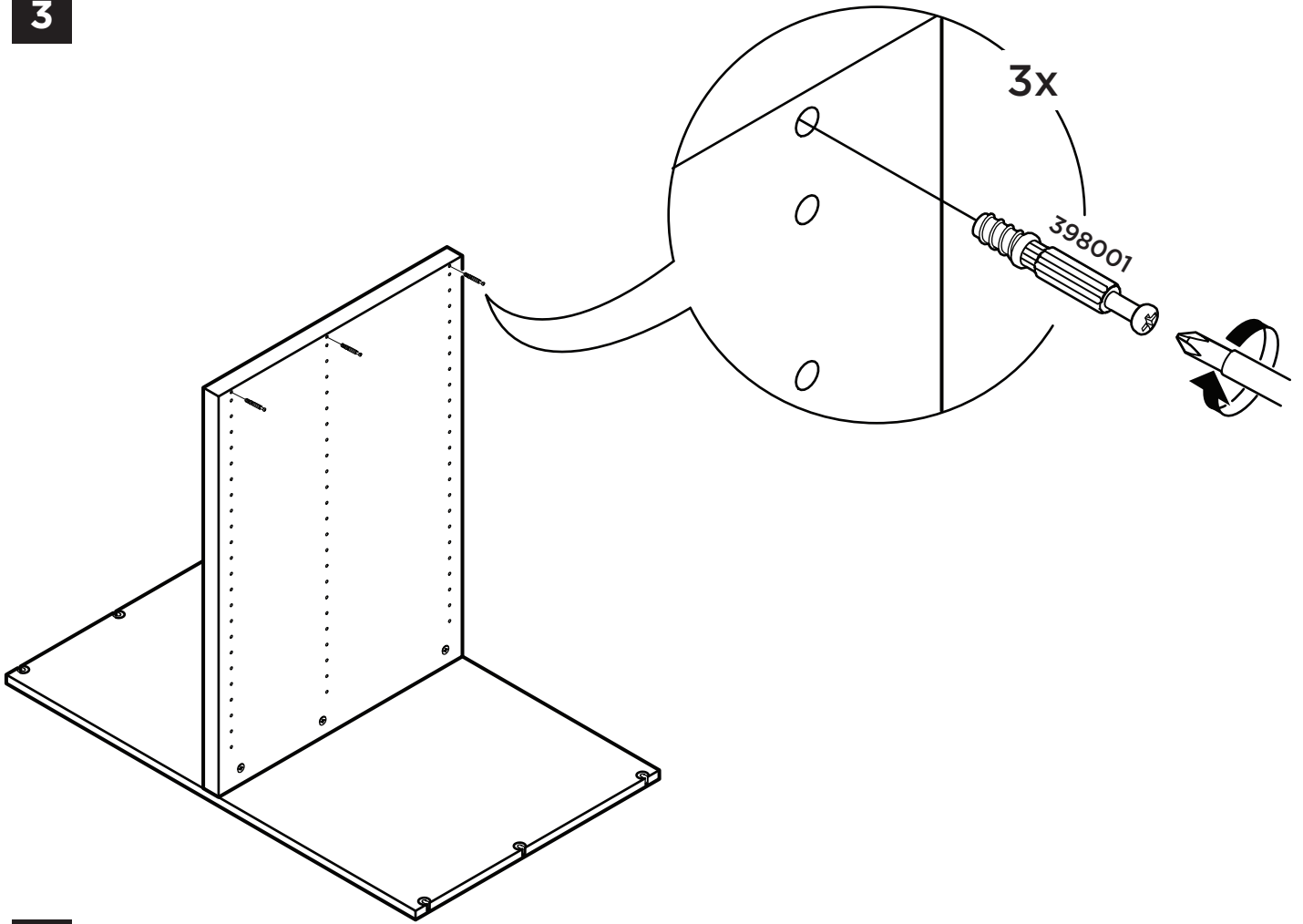
1



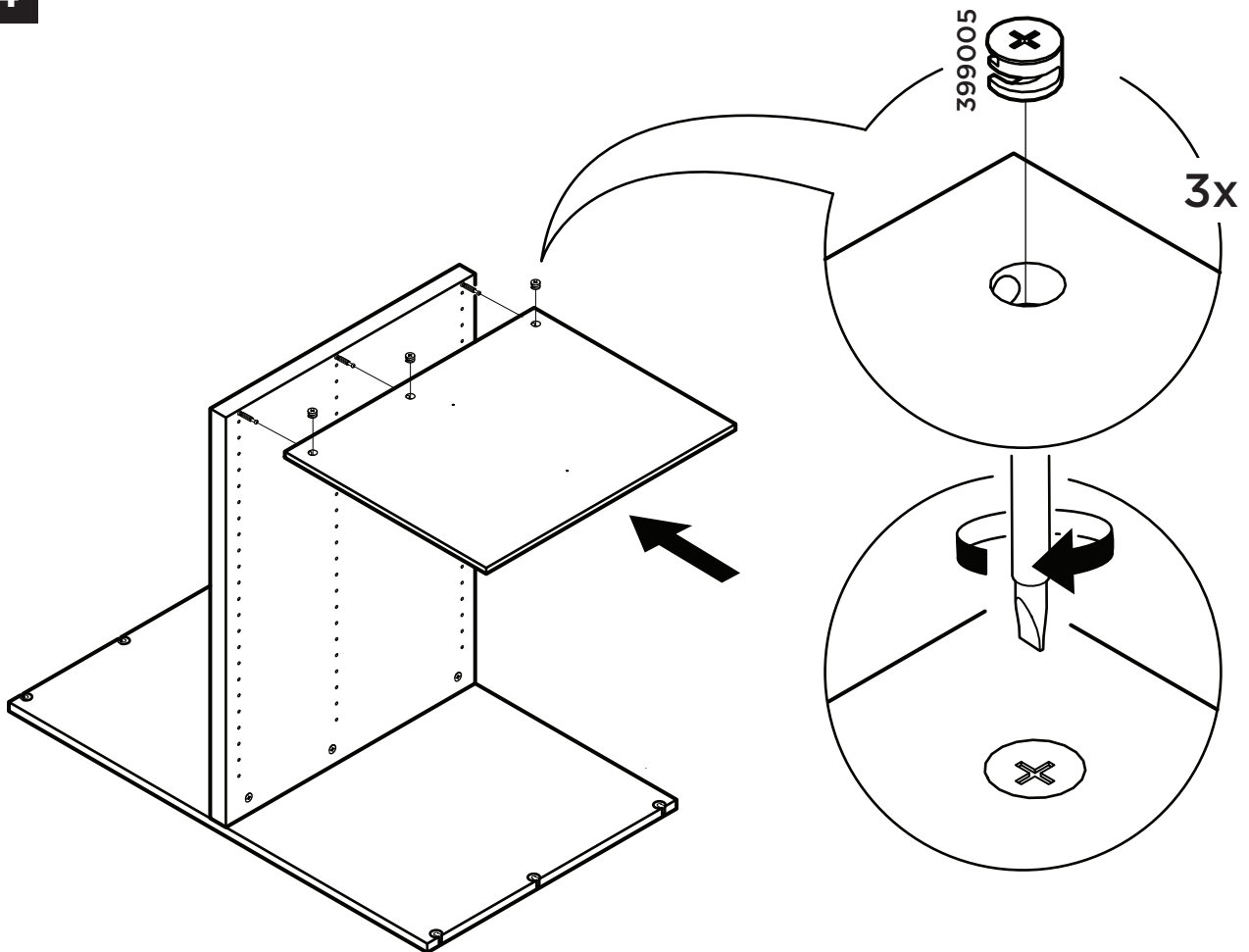
2



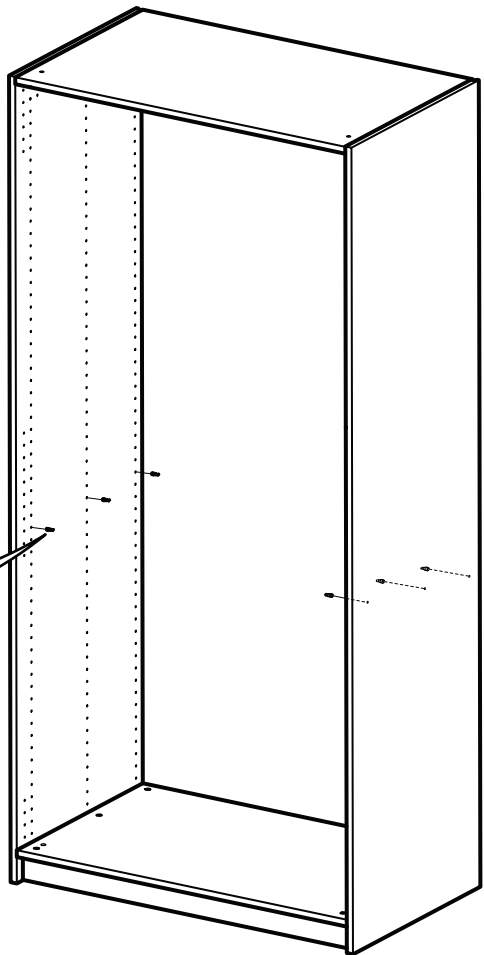
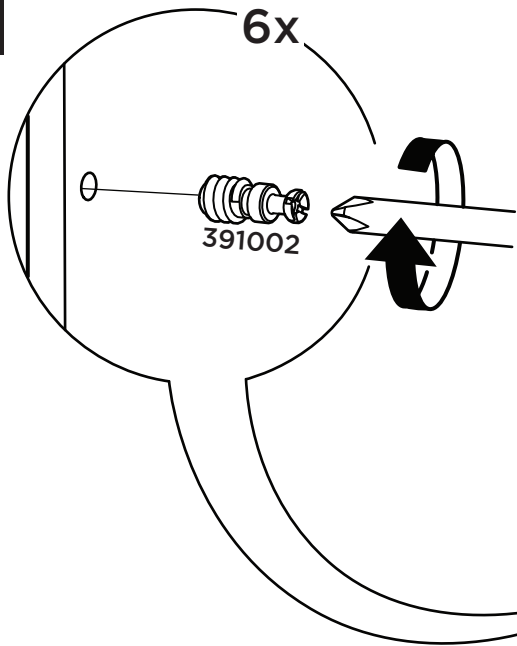
3



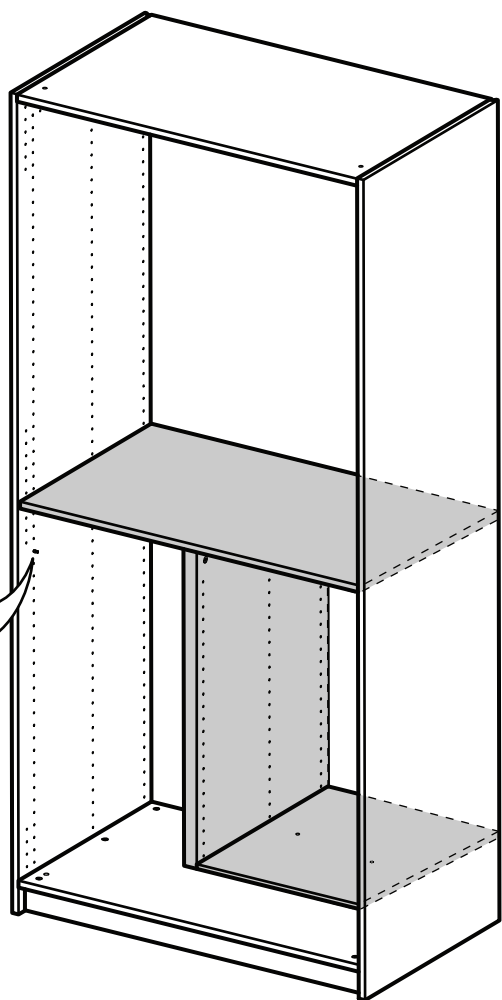
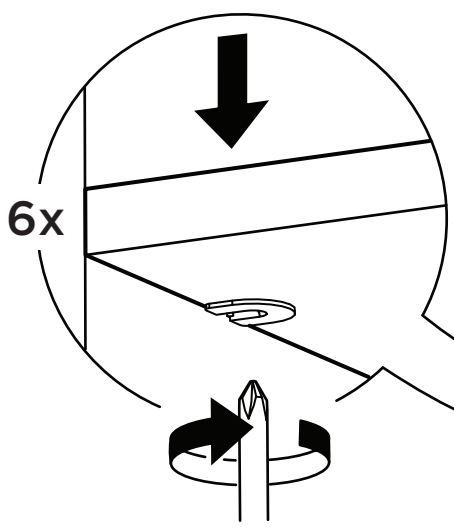
4

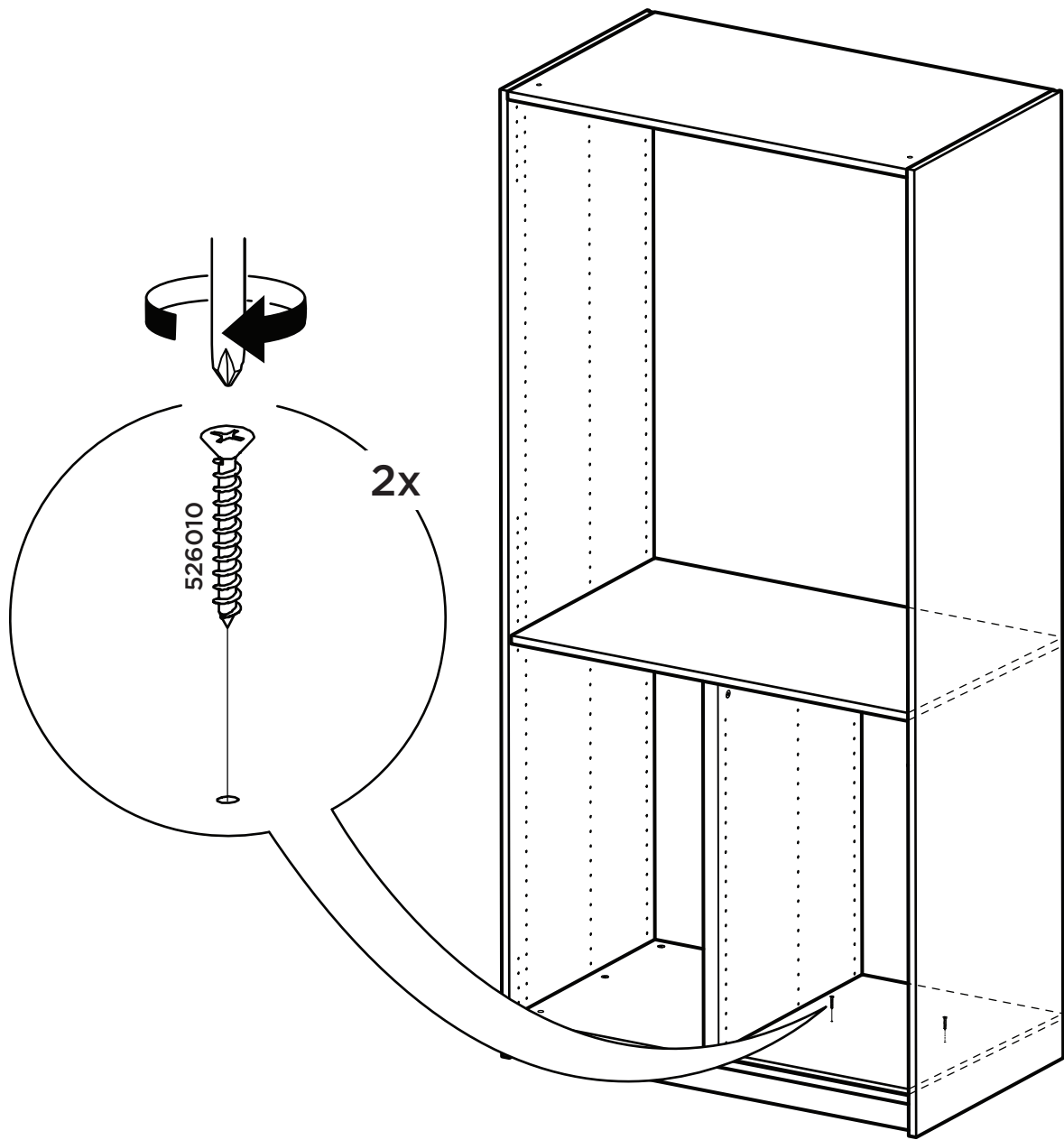


5



6





**metercube**