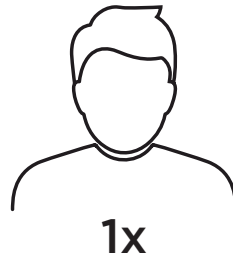


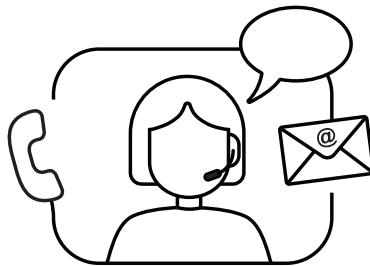
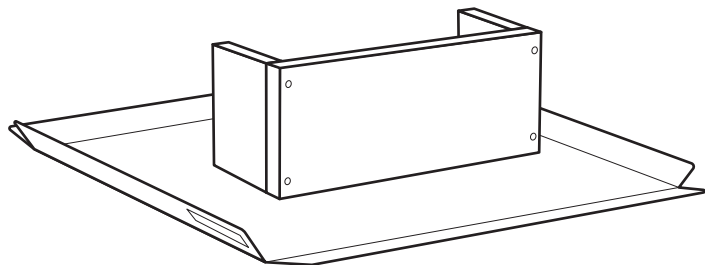
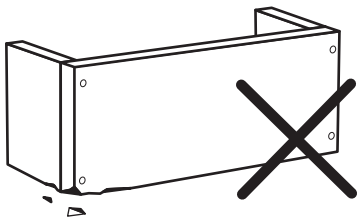
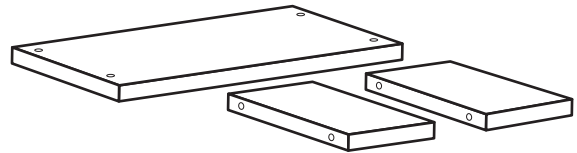
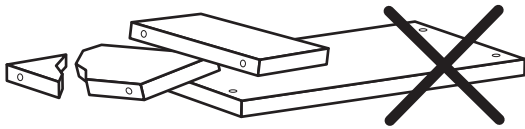
alley

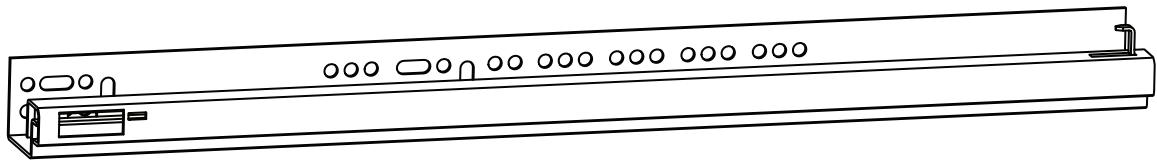
- 158.012.01
- 158.012.02
- 158.012.03
- 158.012.04
- 158.012.05
- 158.012.06
- 158.012.07
- 158.012.08
- 158.012.09
- 158.012.10
- 158.012.11
- 158.012.12

metercube



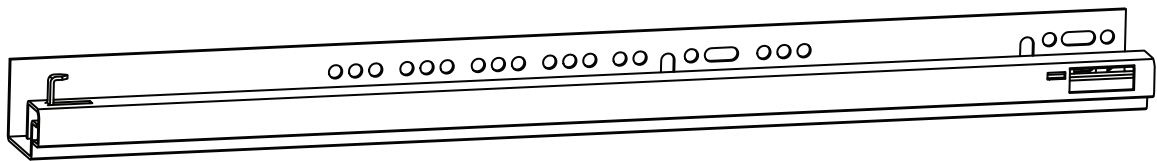
1x





462001

1x



462002

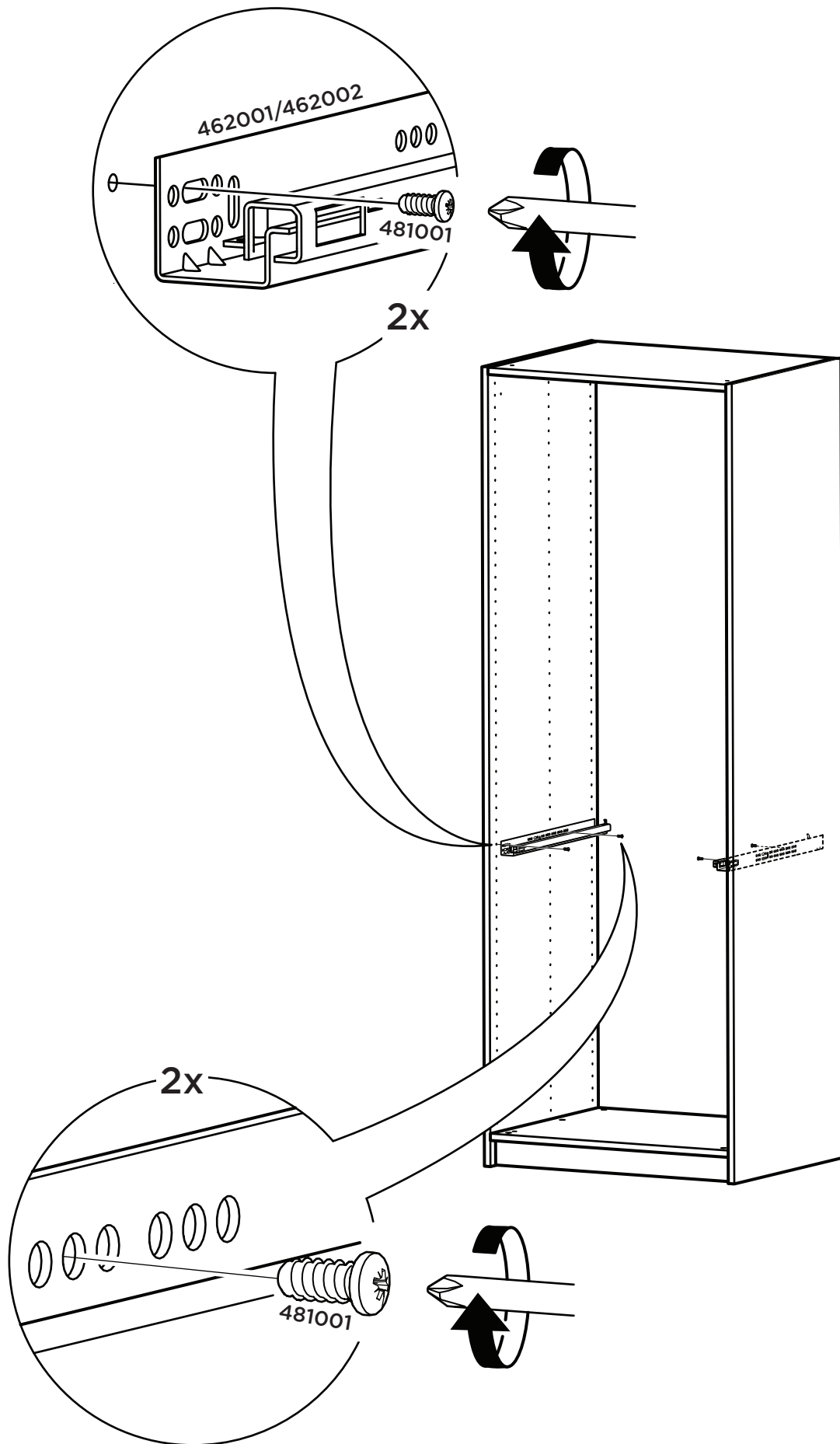
1x

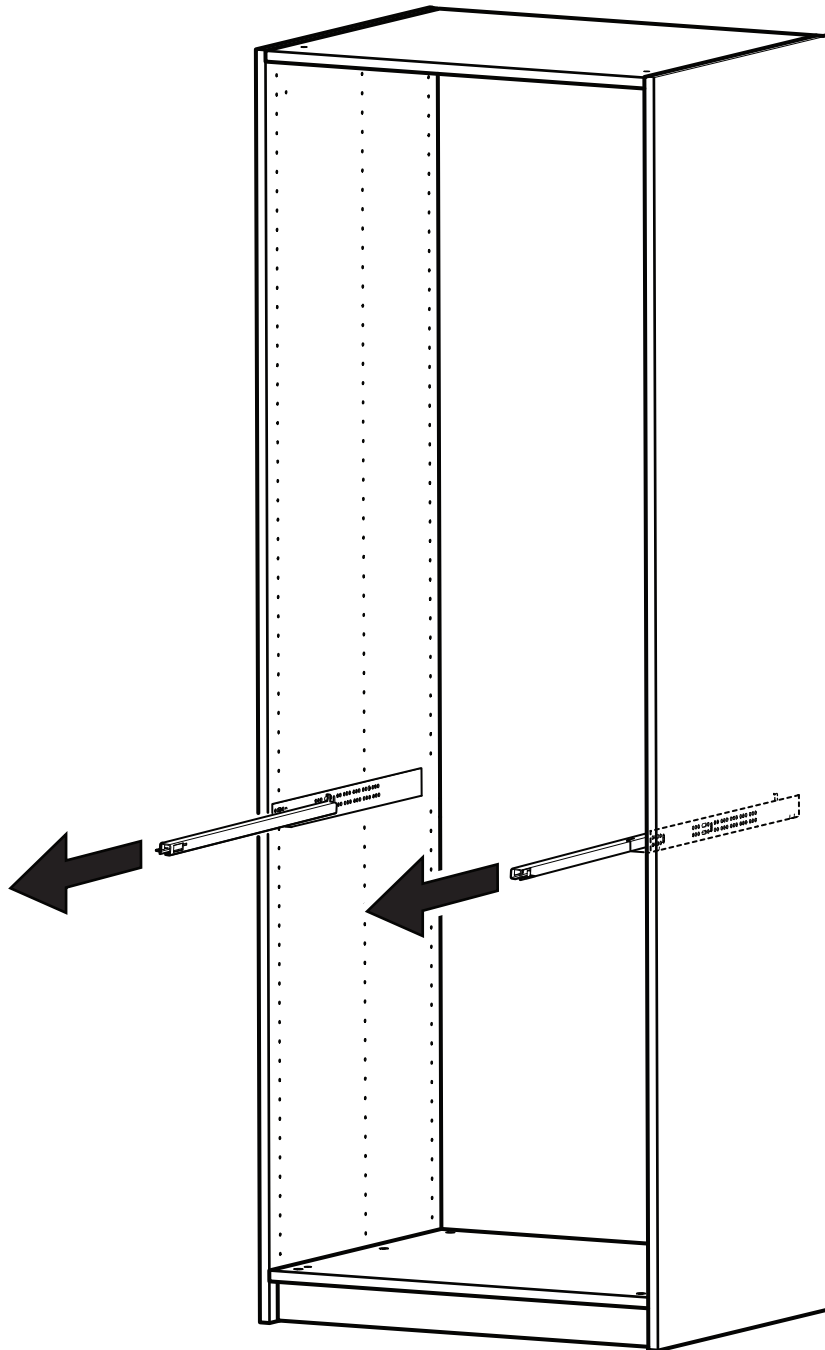


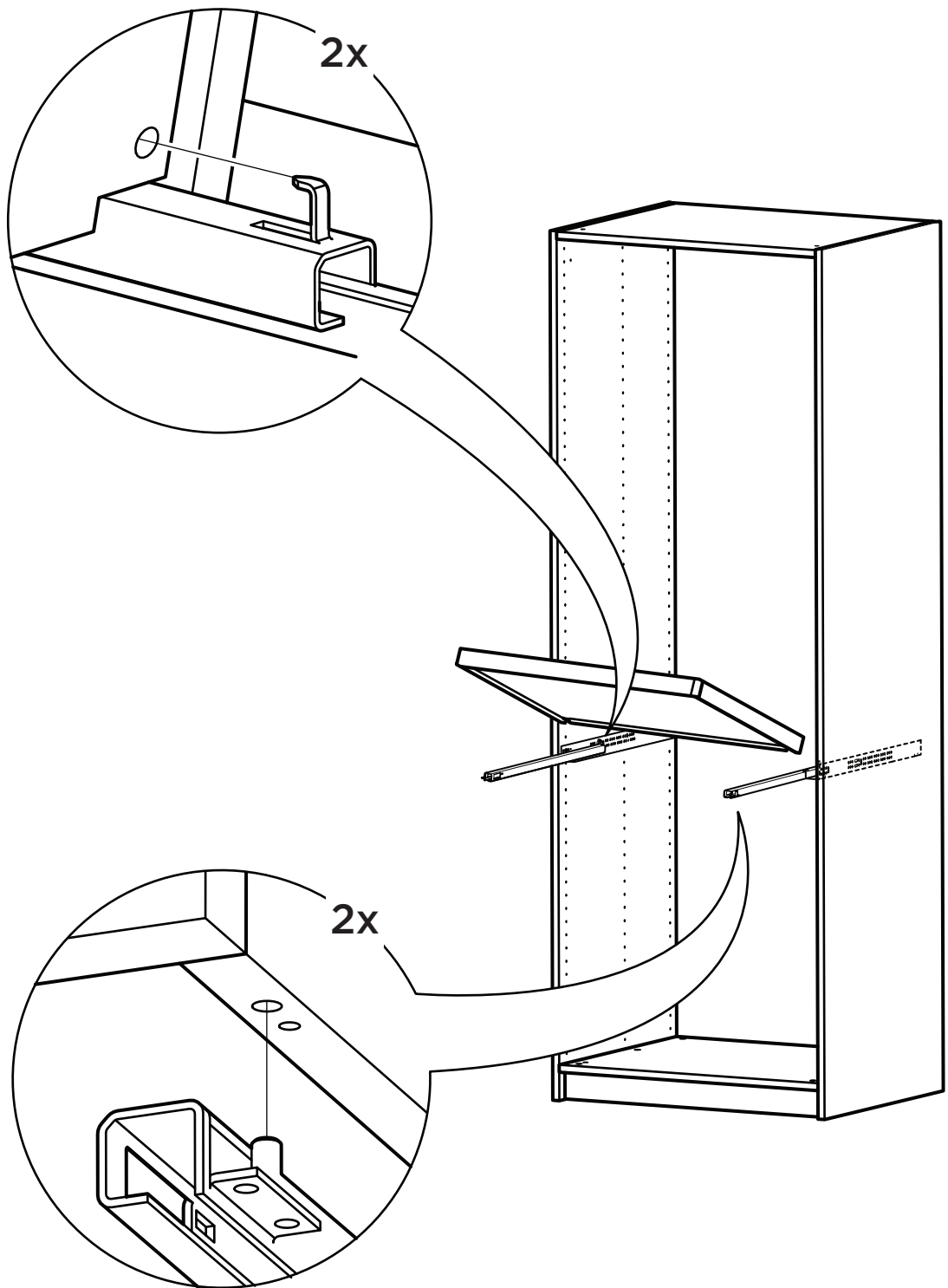
481001

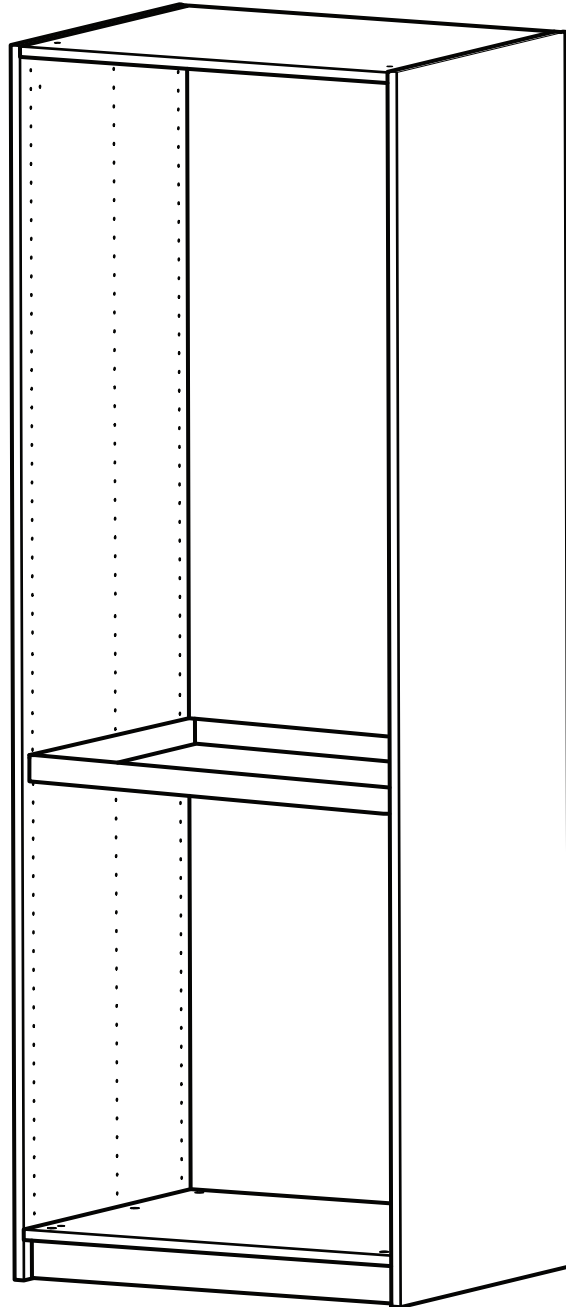
4x

1









metercube