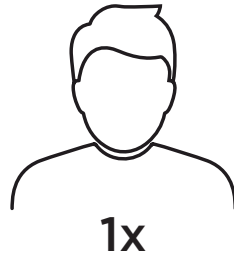


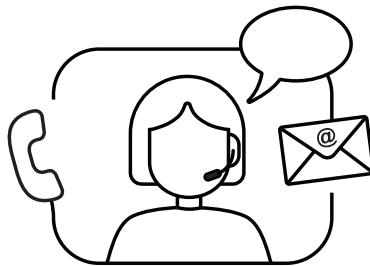
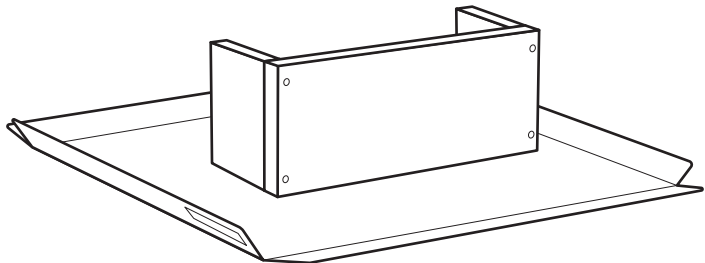
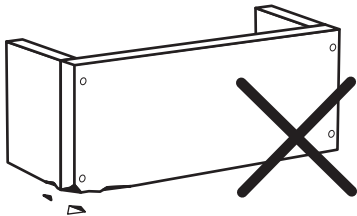
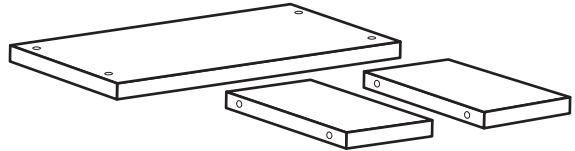
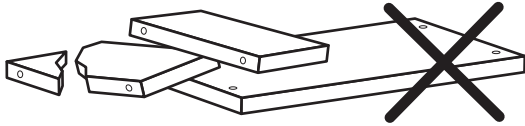
alley

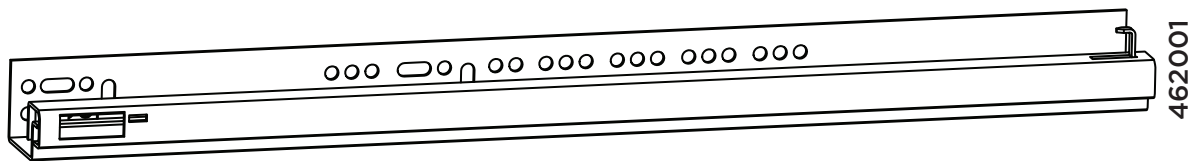
- 158.020.01
- 158.020.02
- 158.020.03
- 158.020.04
- 158.020.05
- 158.020.06
- 158.020.07
- 158.020.08
- 158.020.09
- 158.020.10
- 158.020.11
- 158.020.12

metercube



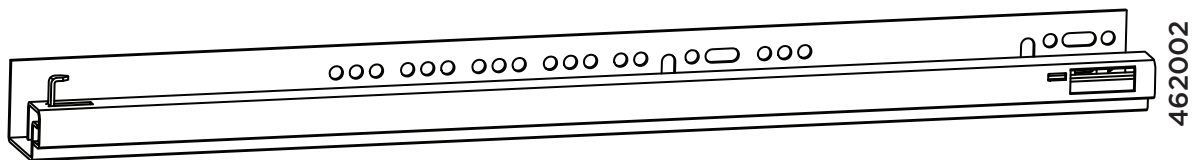
1x





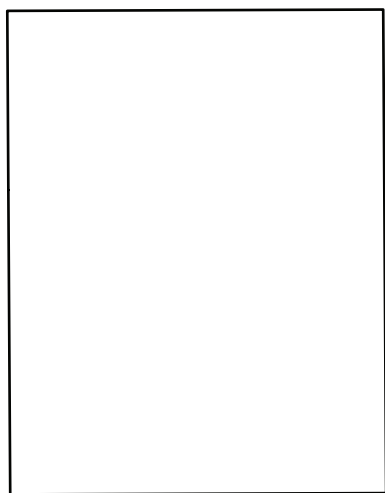
462001

1x

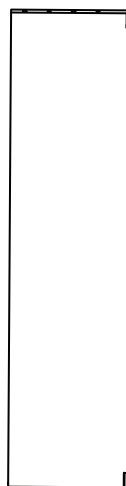


462002

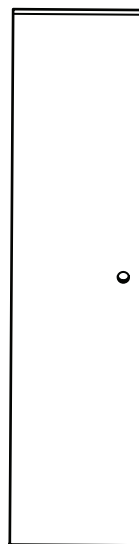
1x



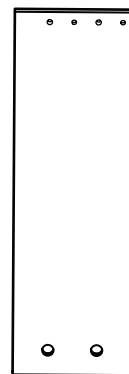
1x



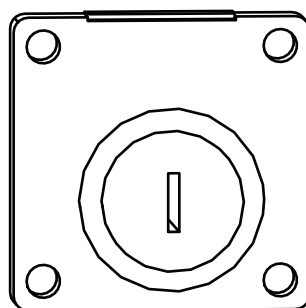
1x



1x

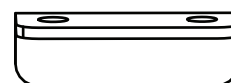


2x



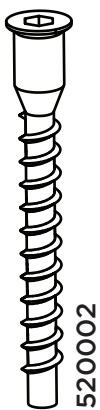
438001

1x



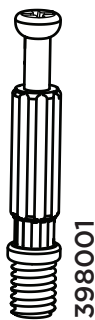
247001

1x



520002

4x



398001

4x



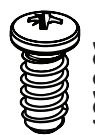
357008

8x



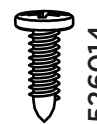
523011

4x



481001

4x



526014

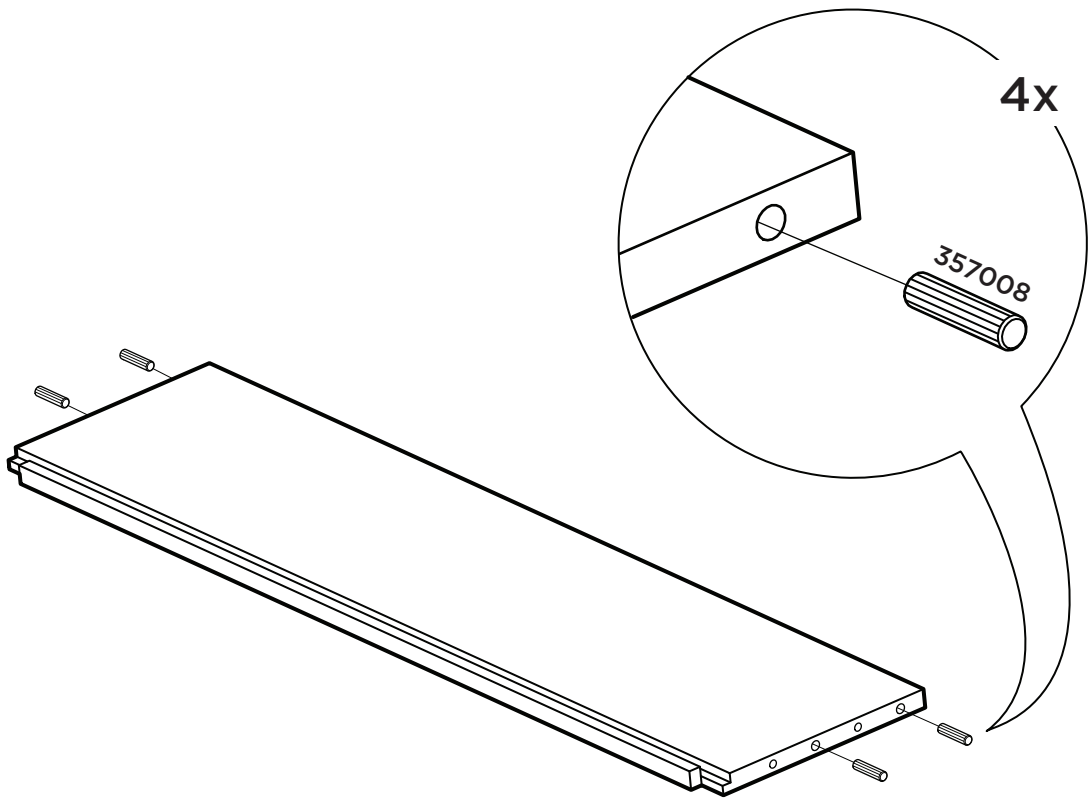
2x



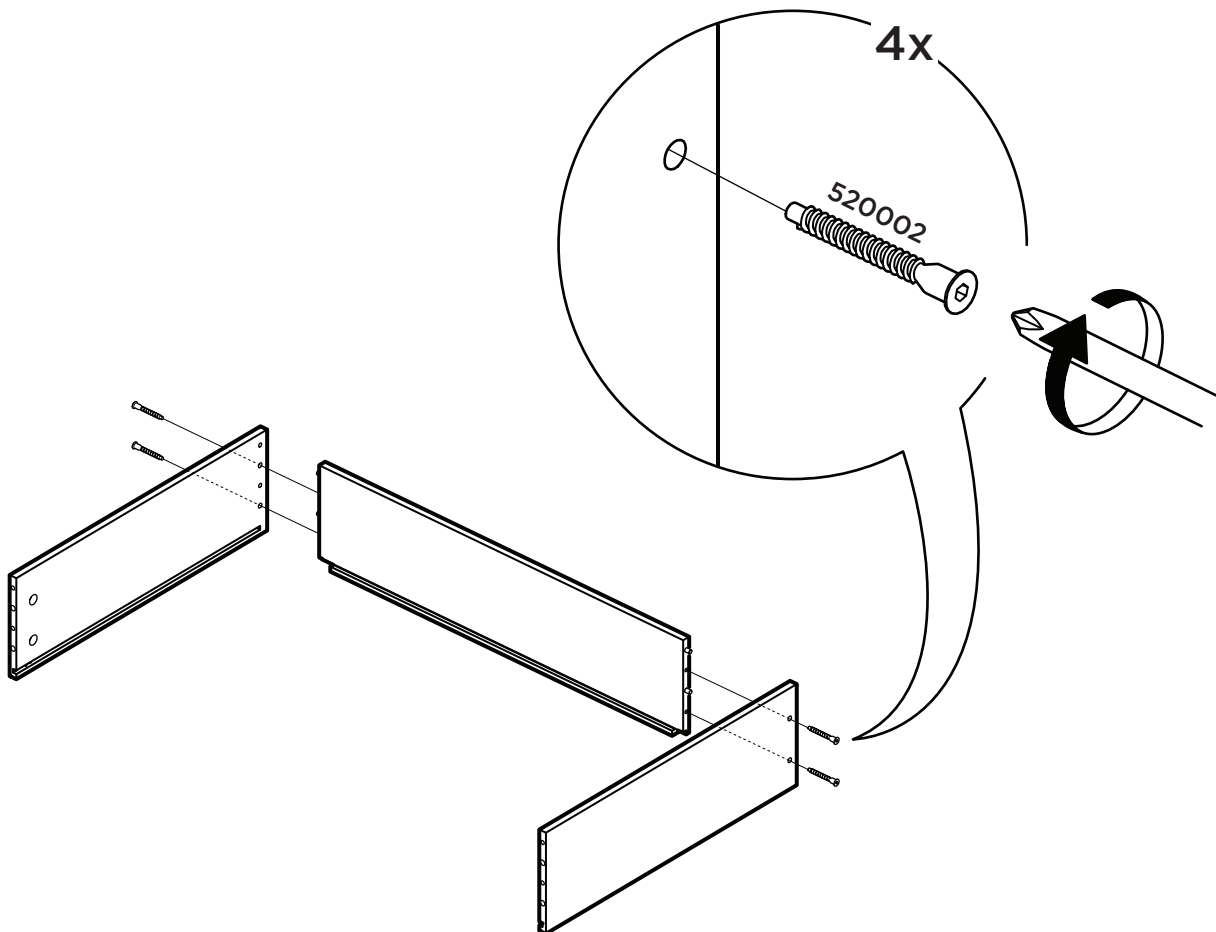
399005

4x

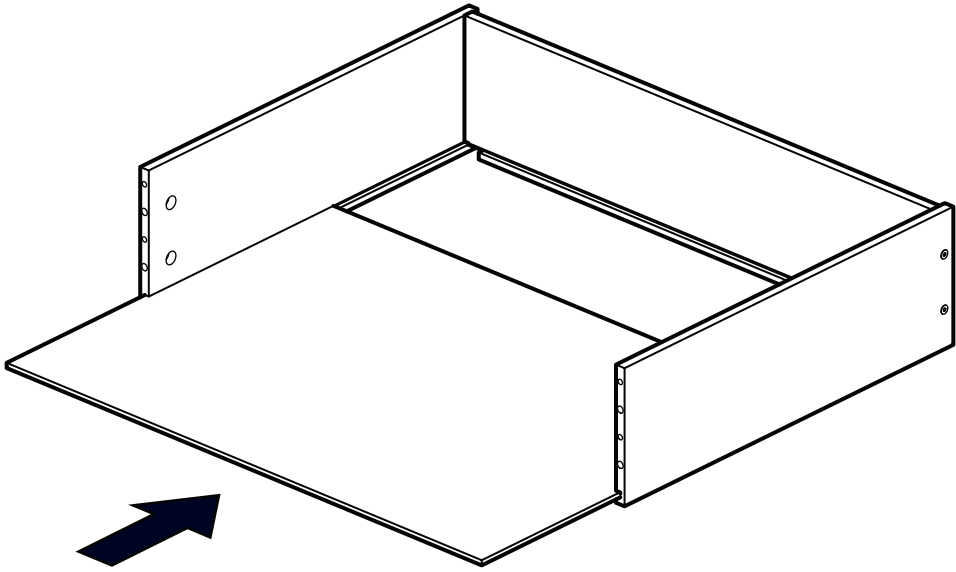
1



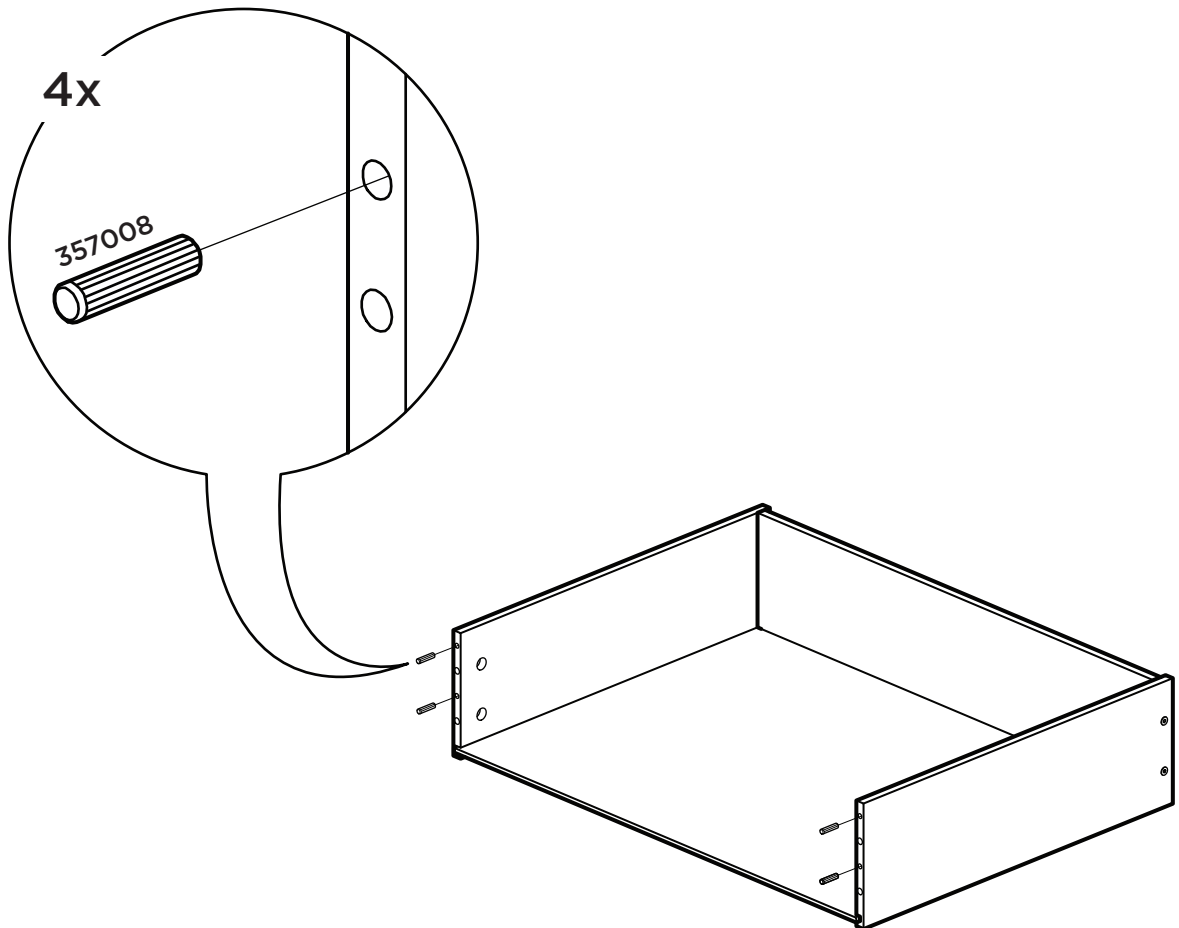
2



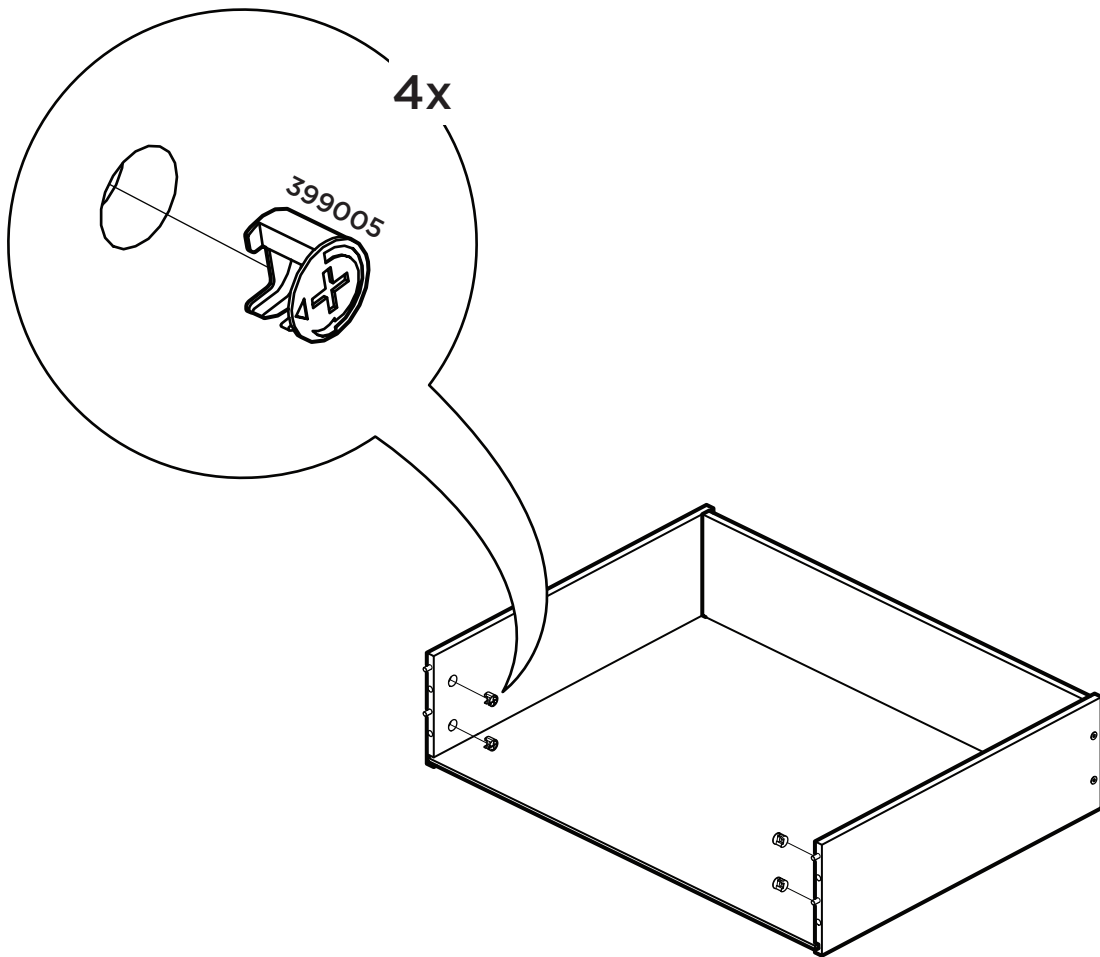
3



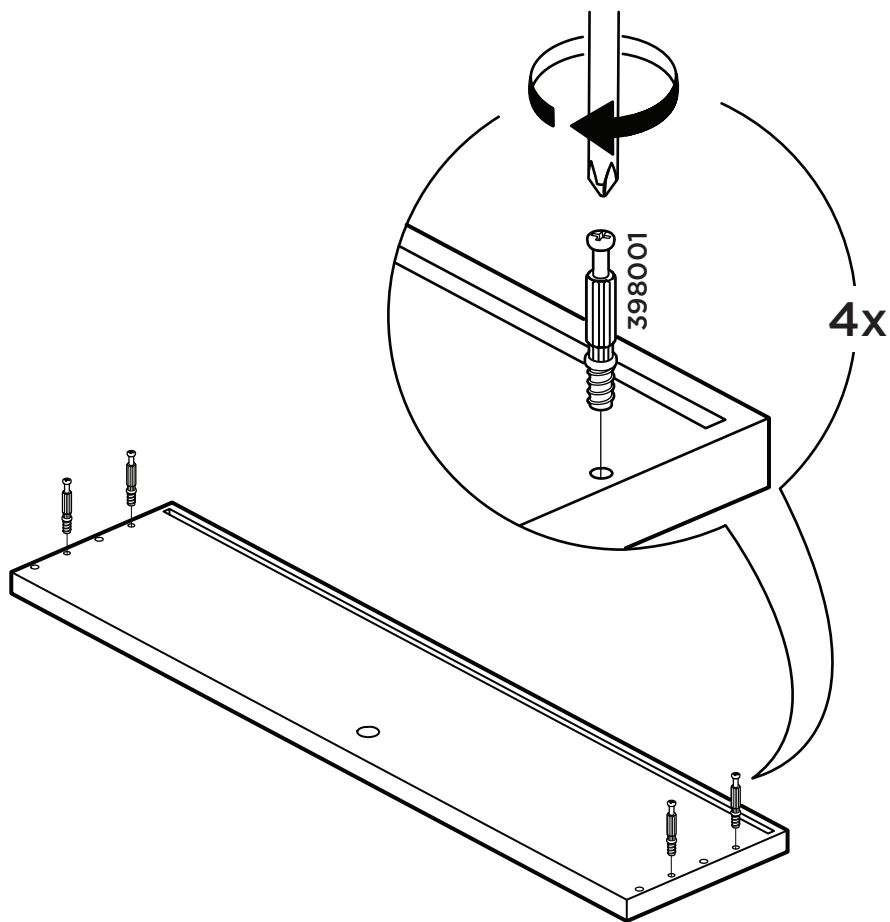
4

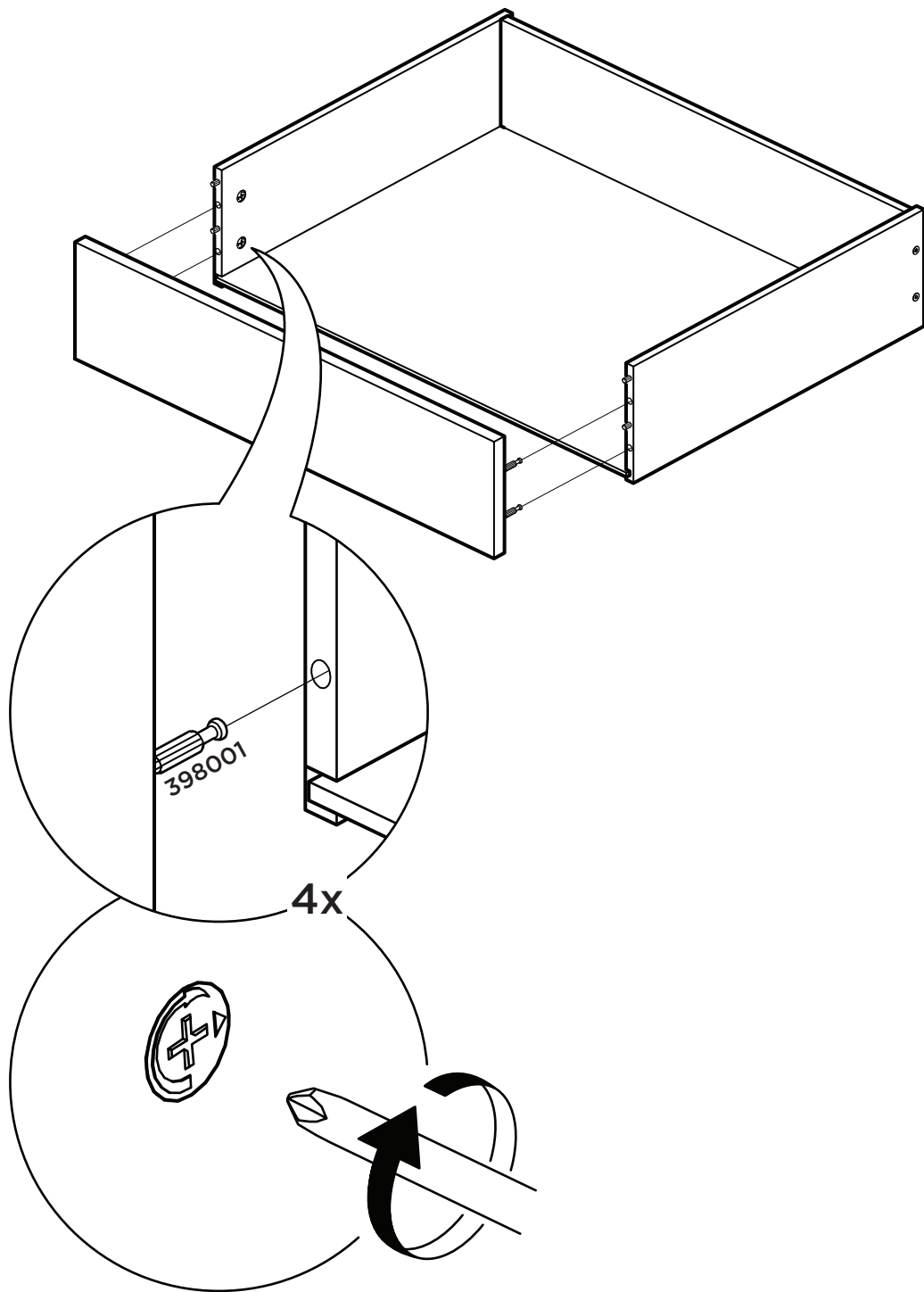


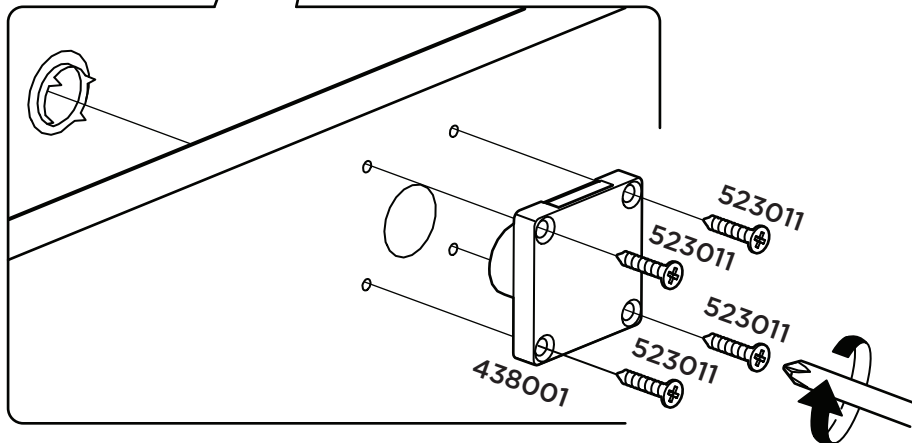
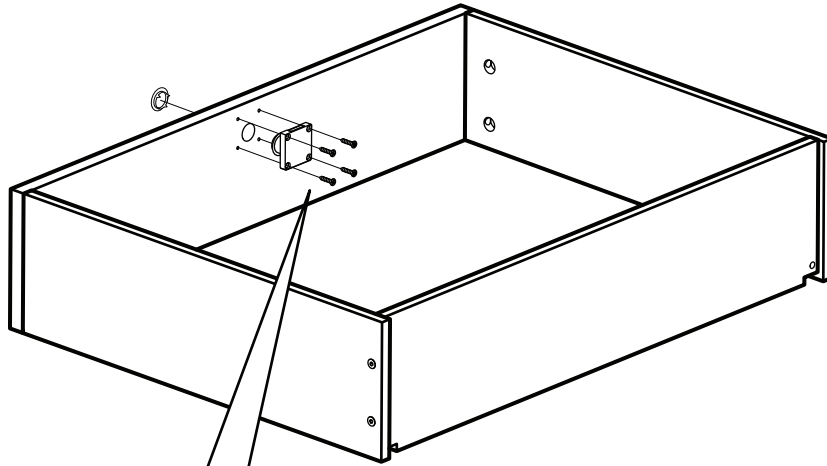
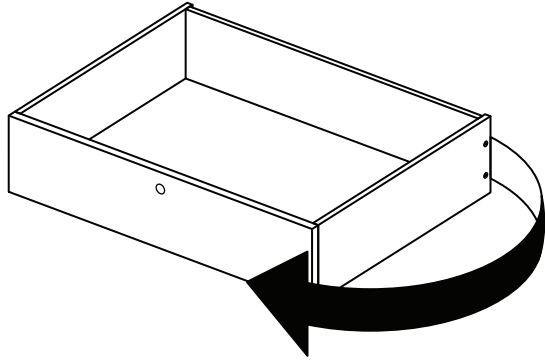
5

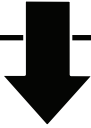
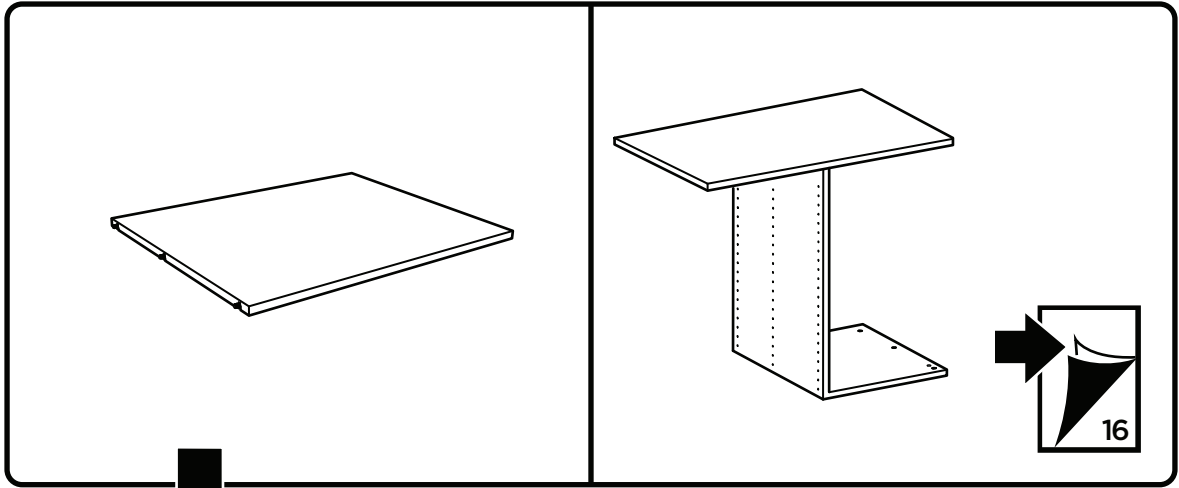


6

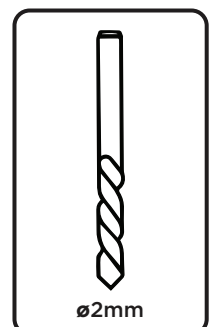
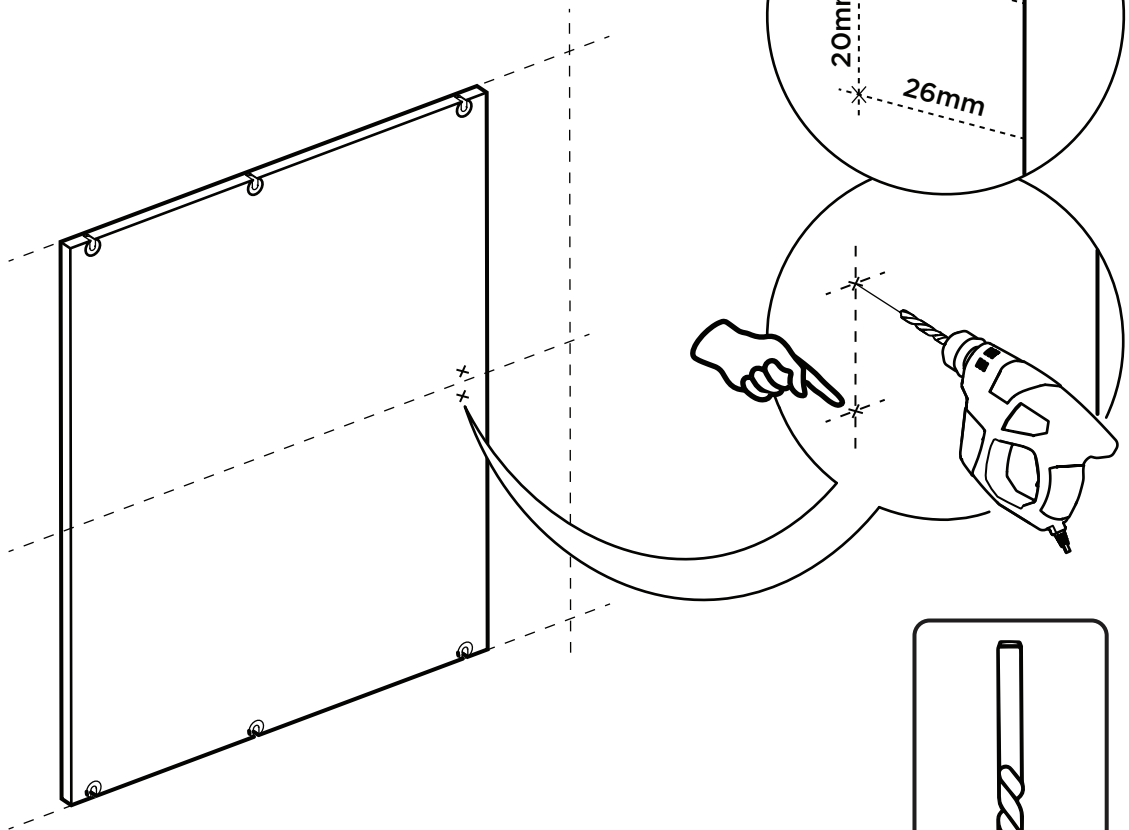
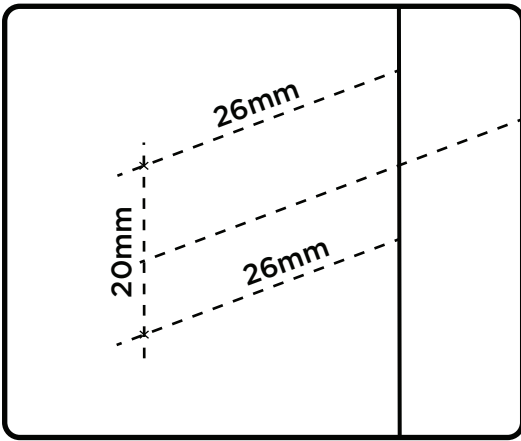


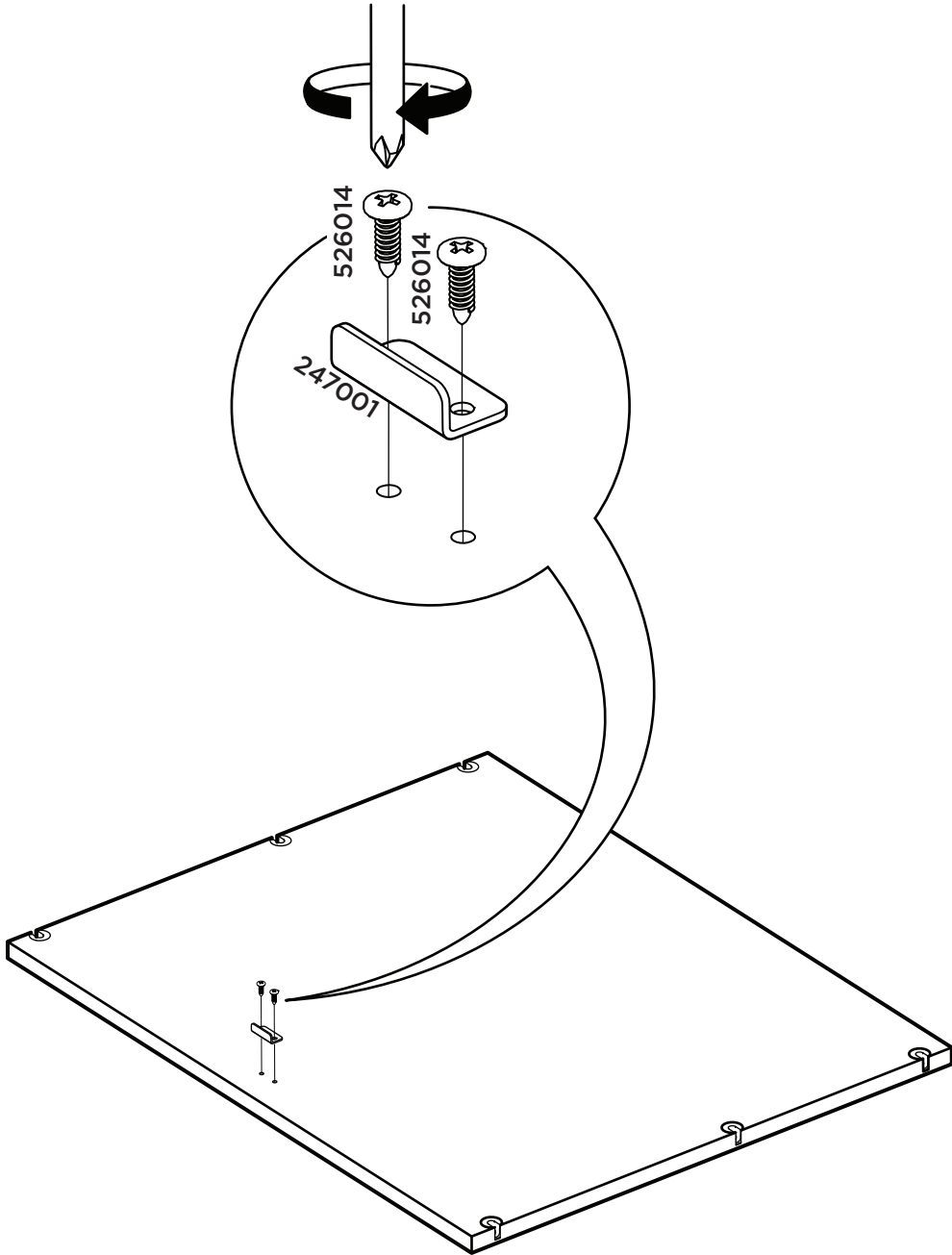


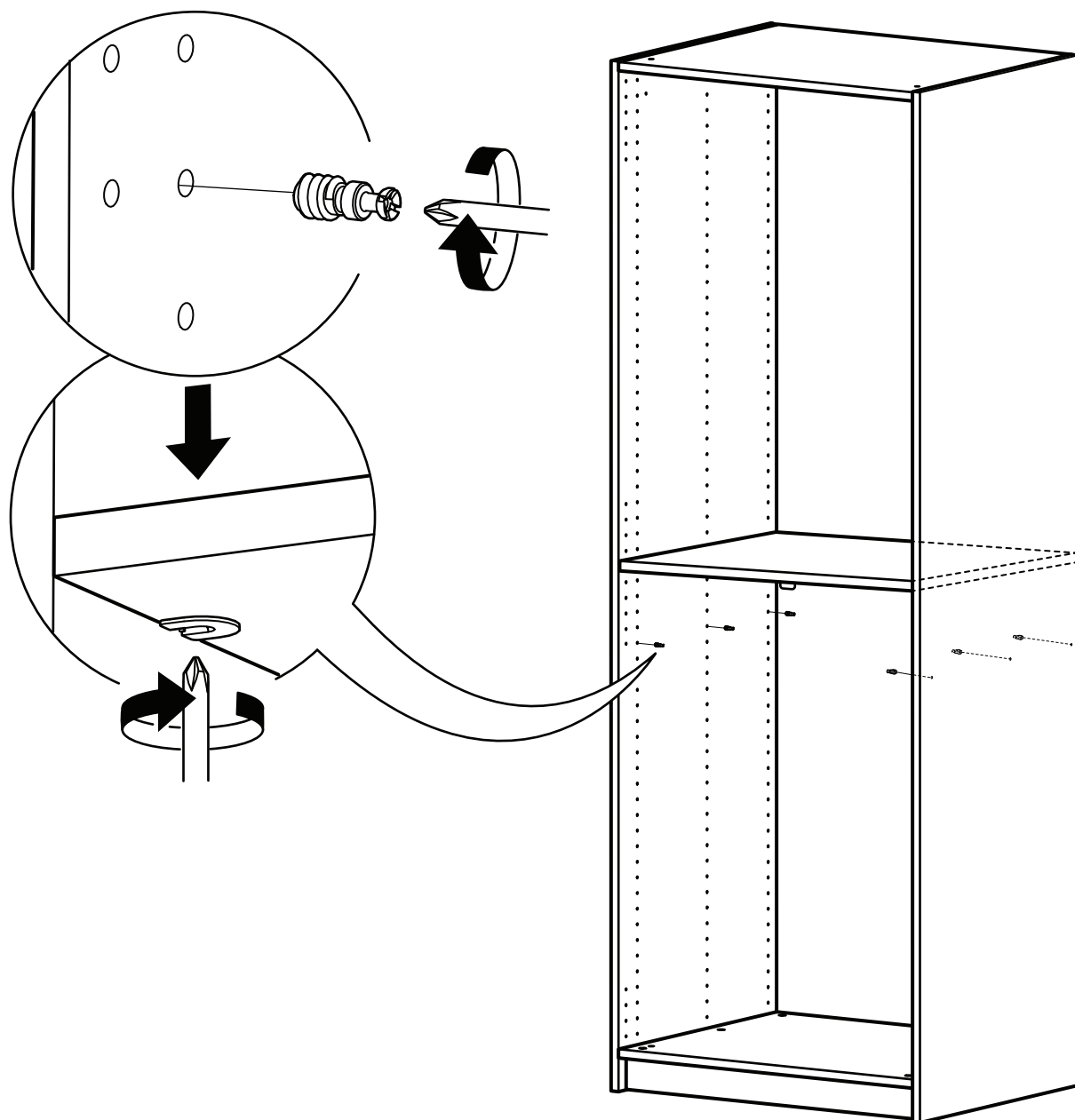


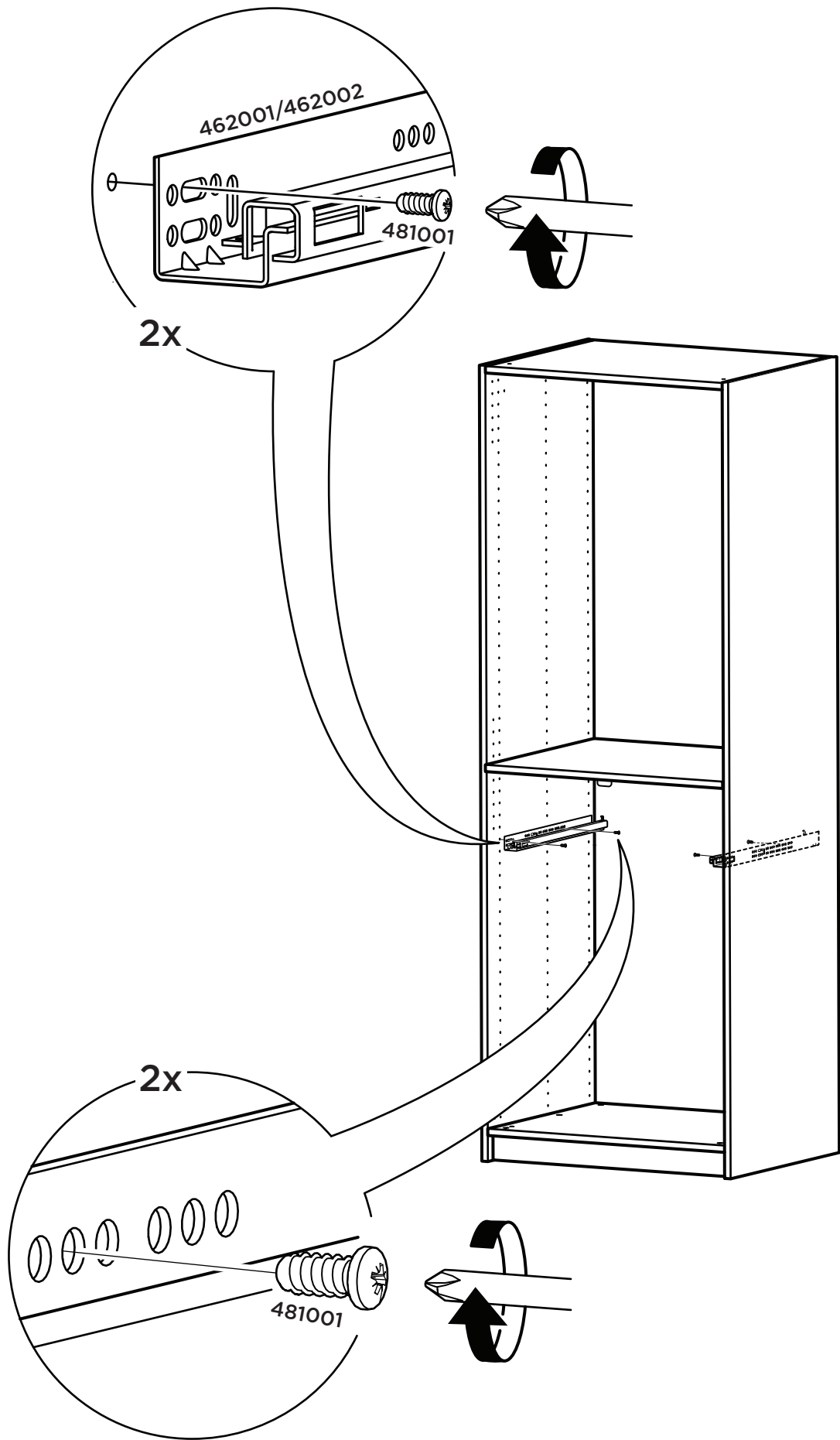


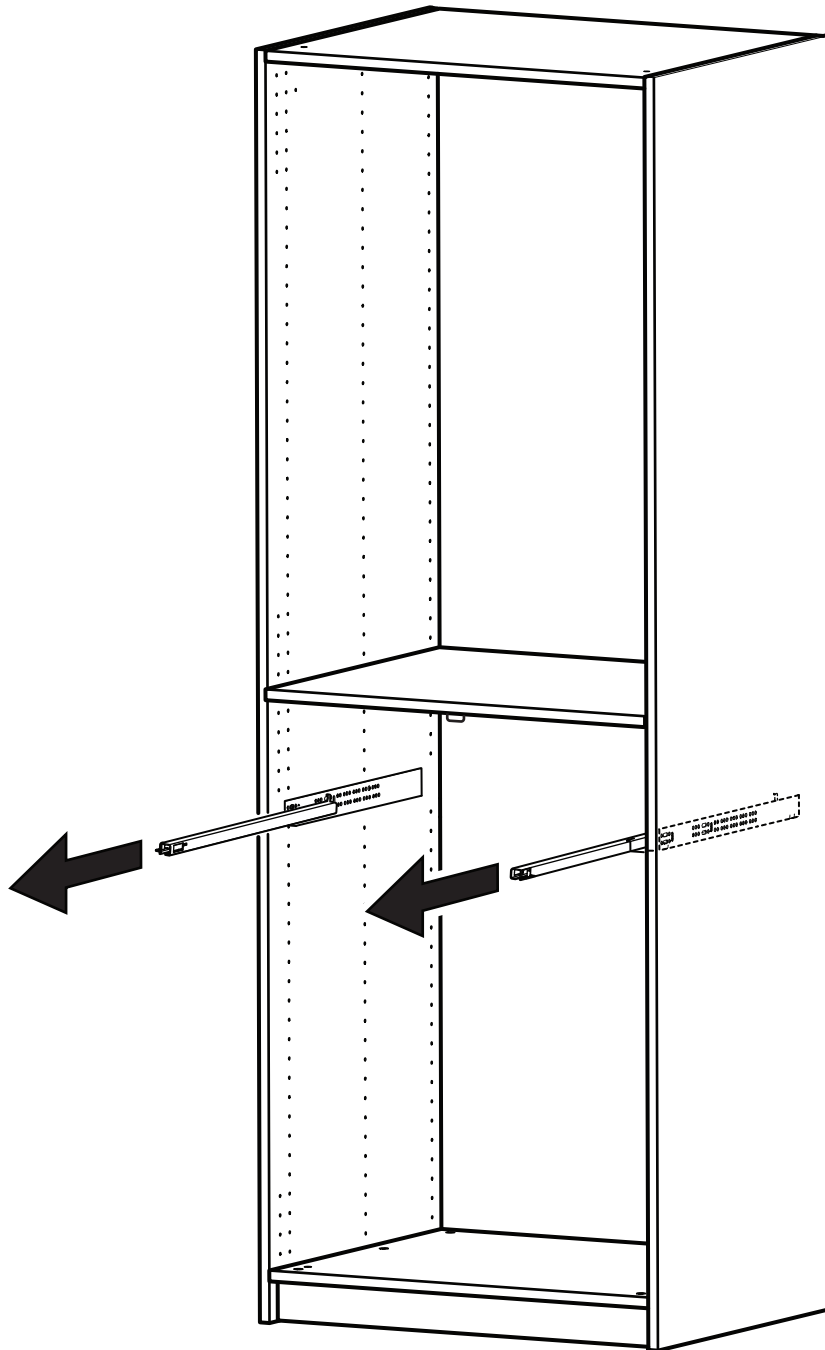
9

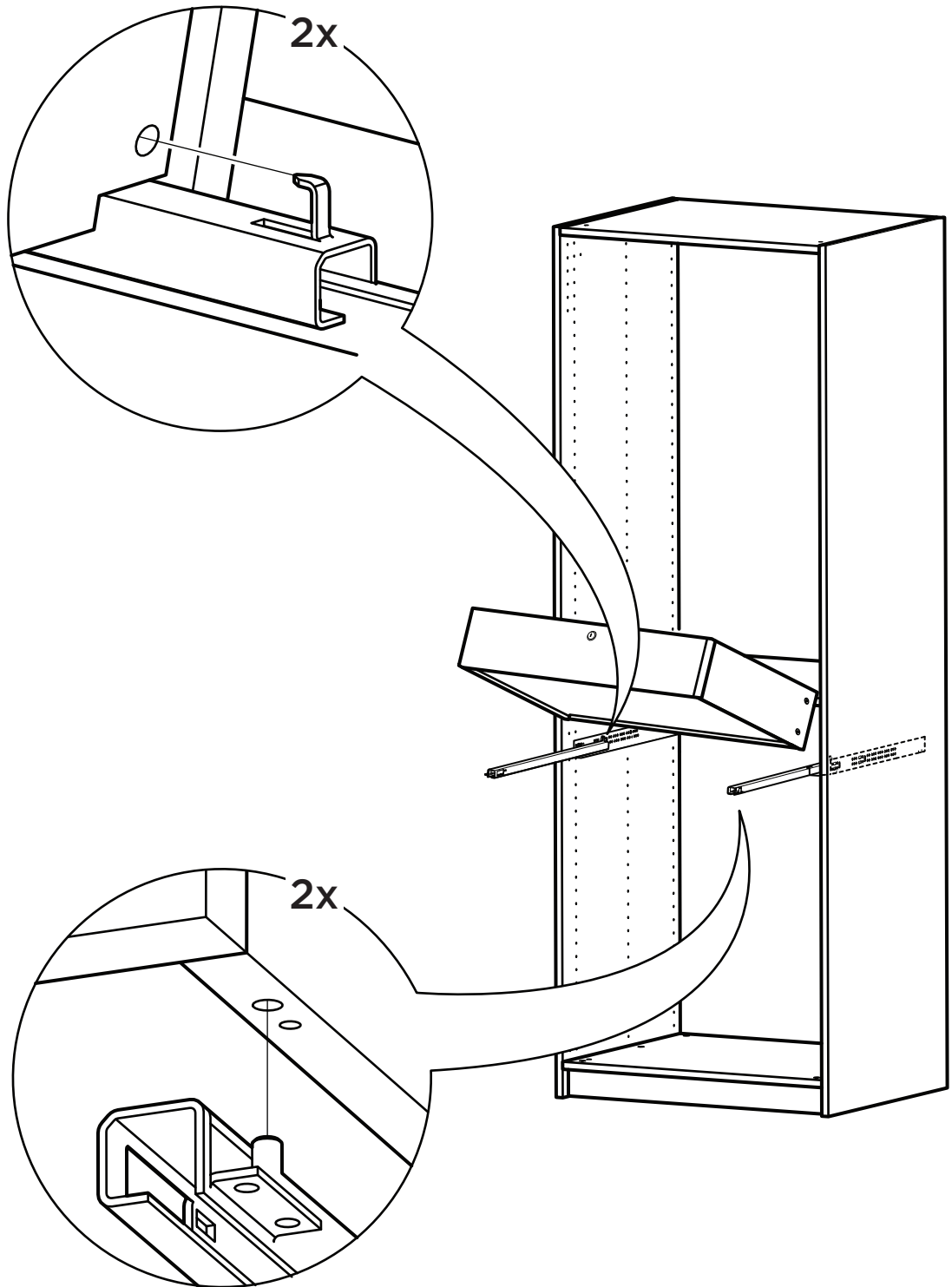


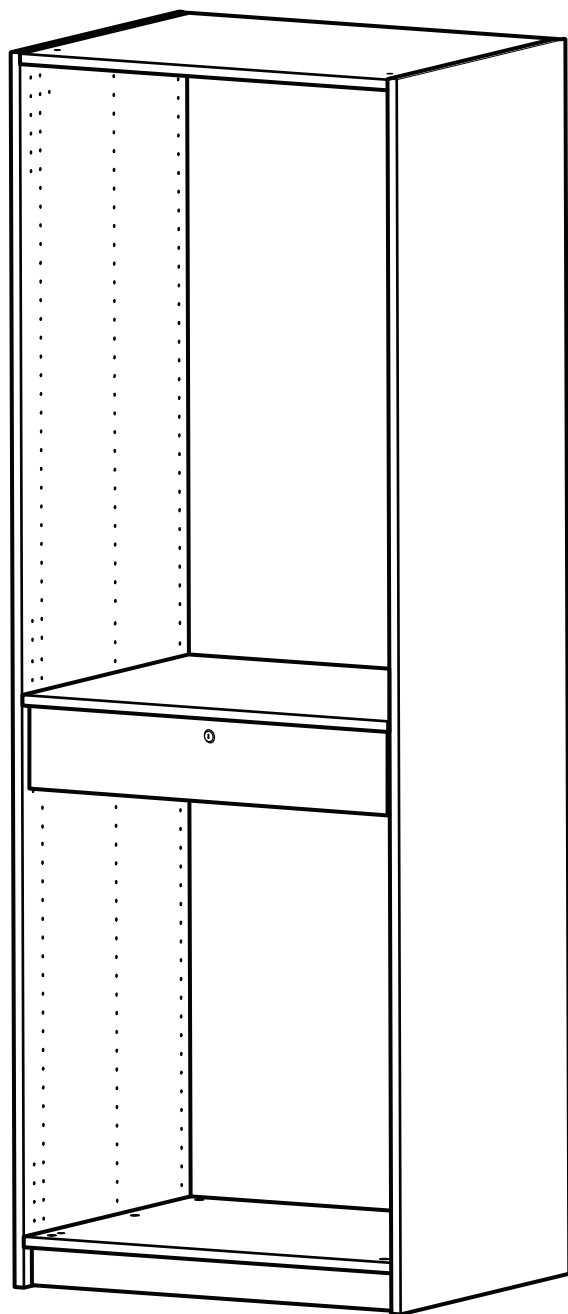


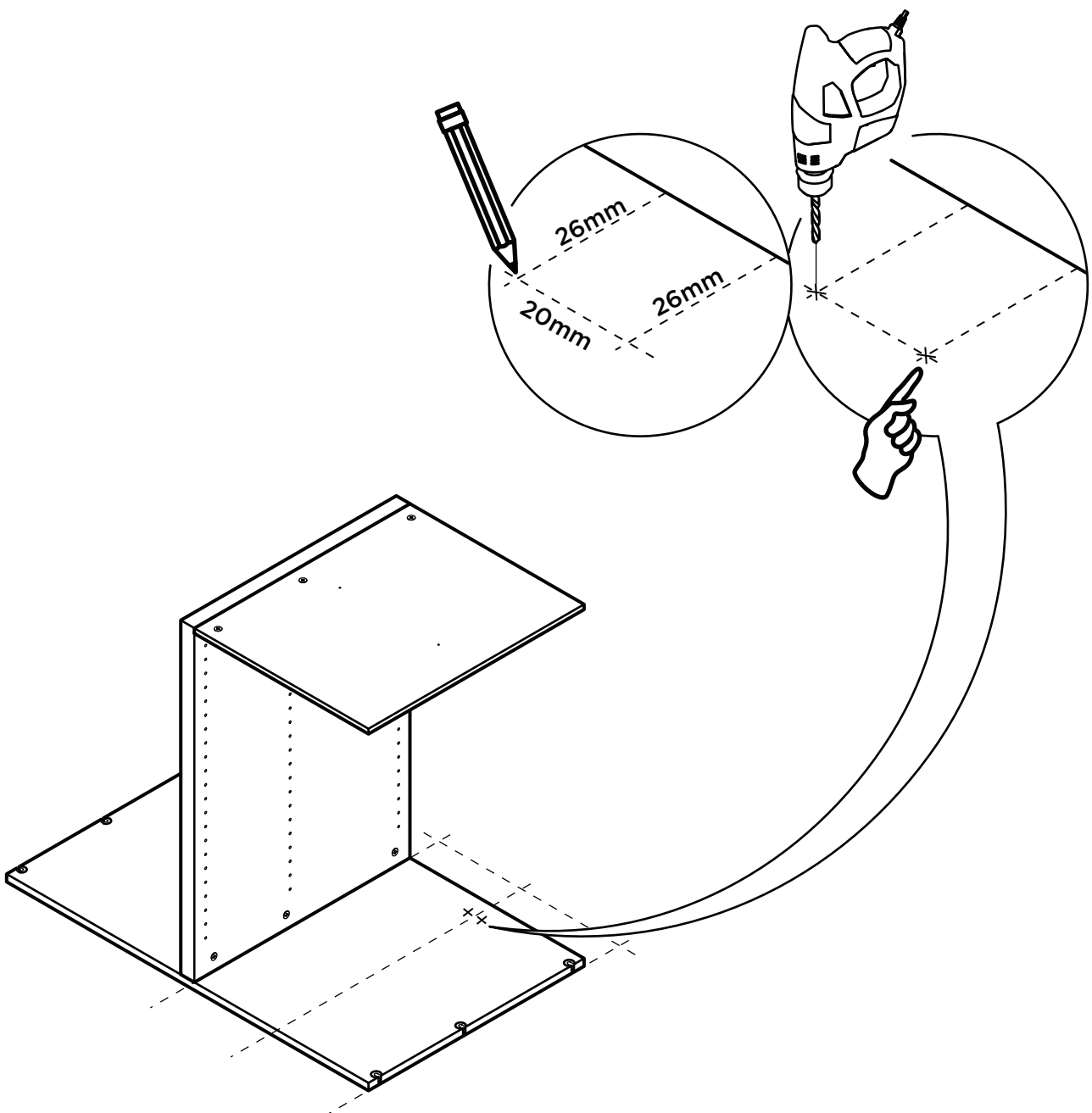
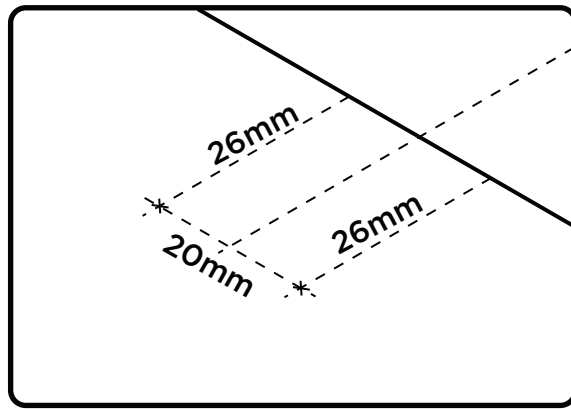




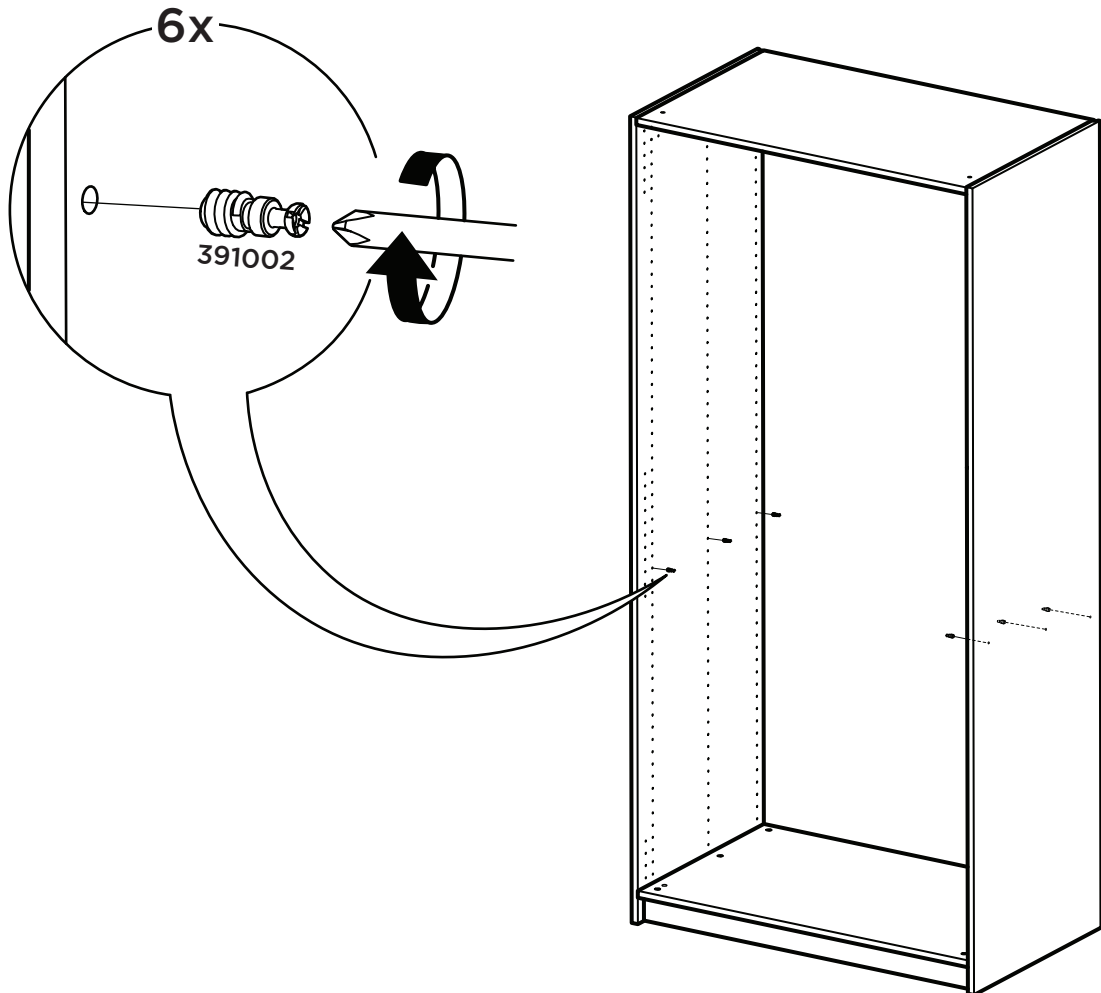
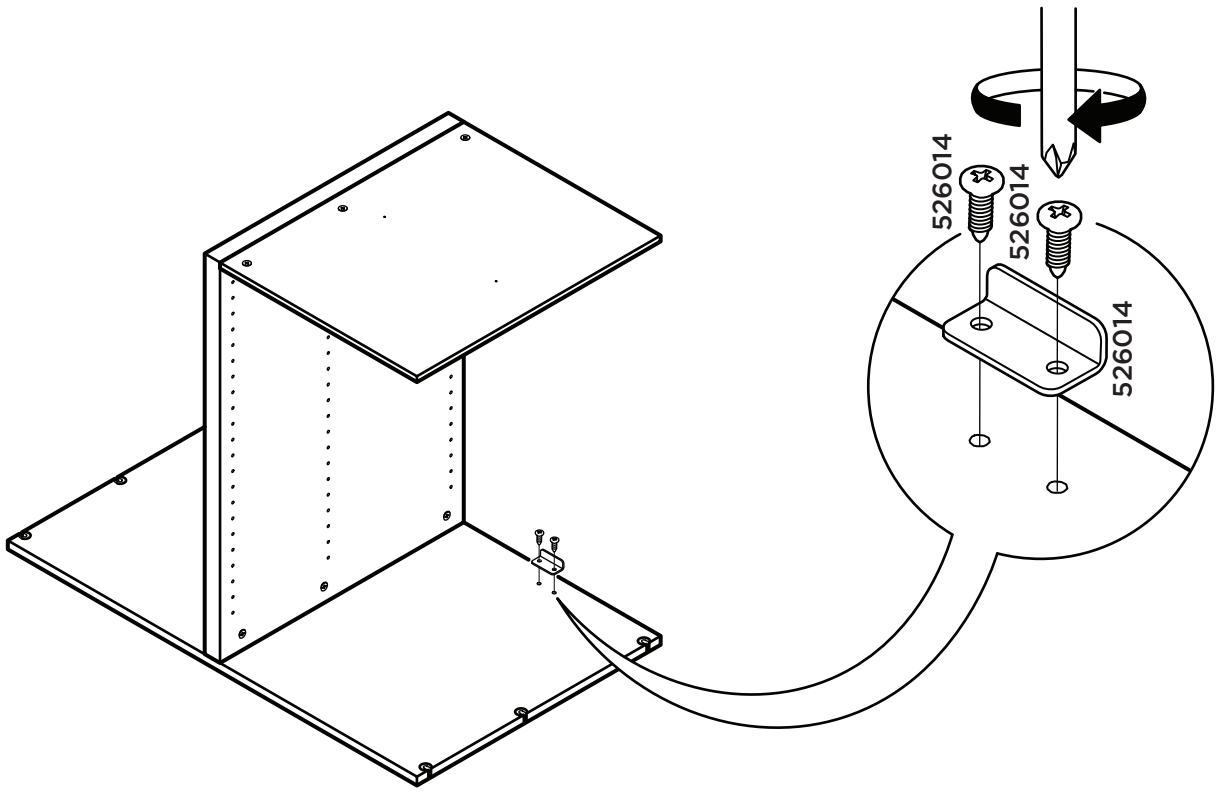


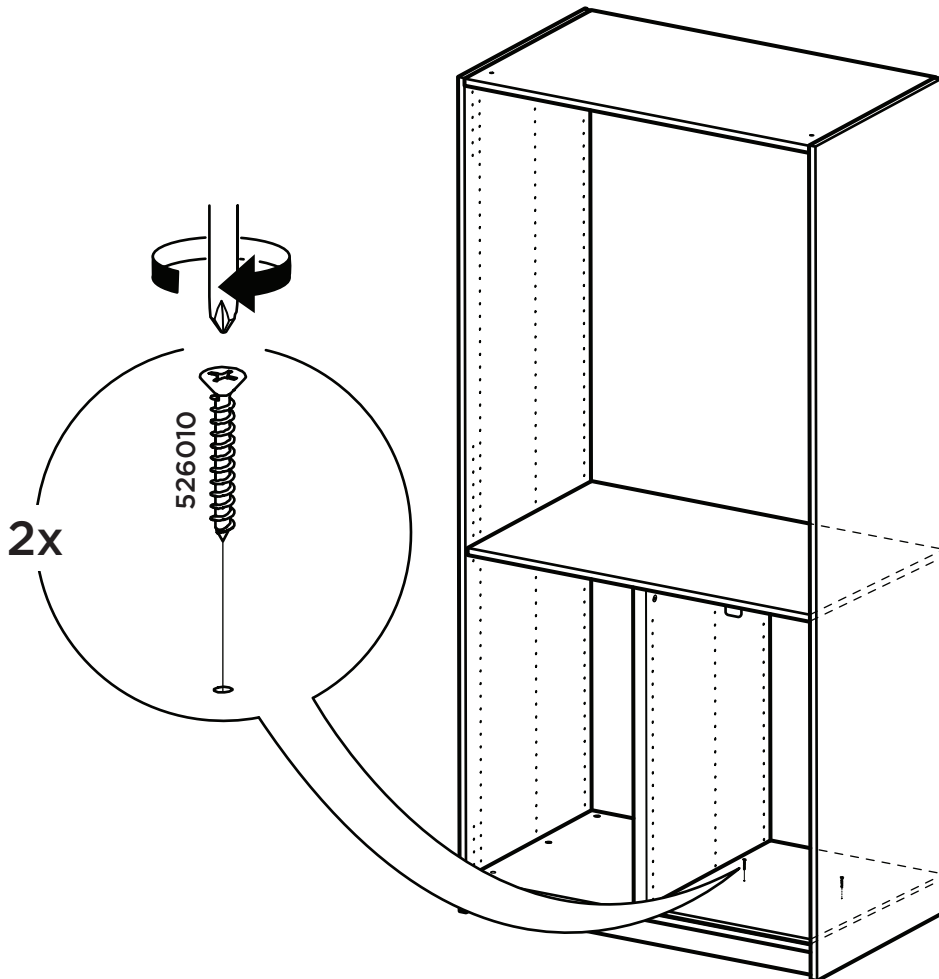
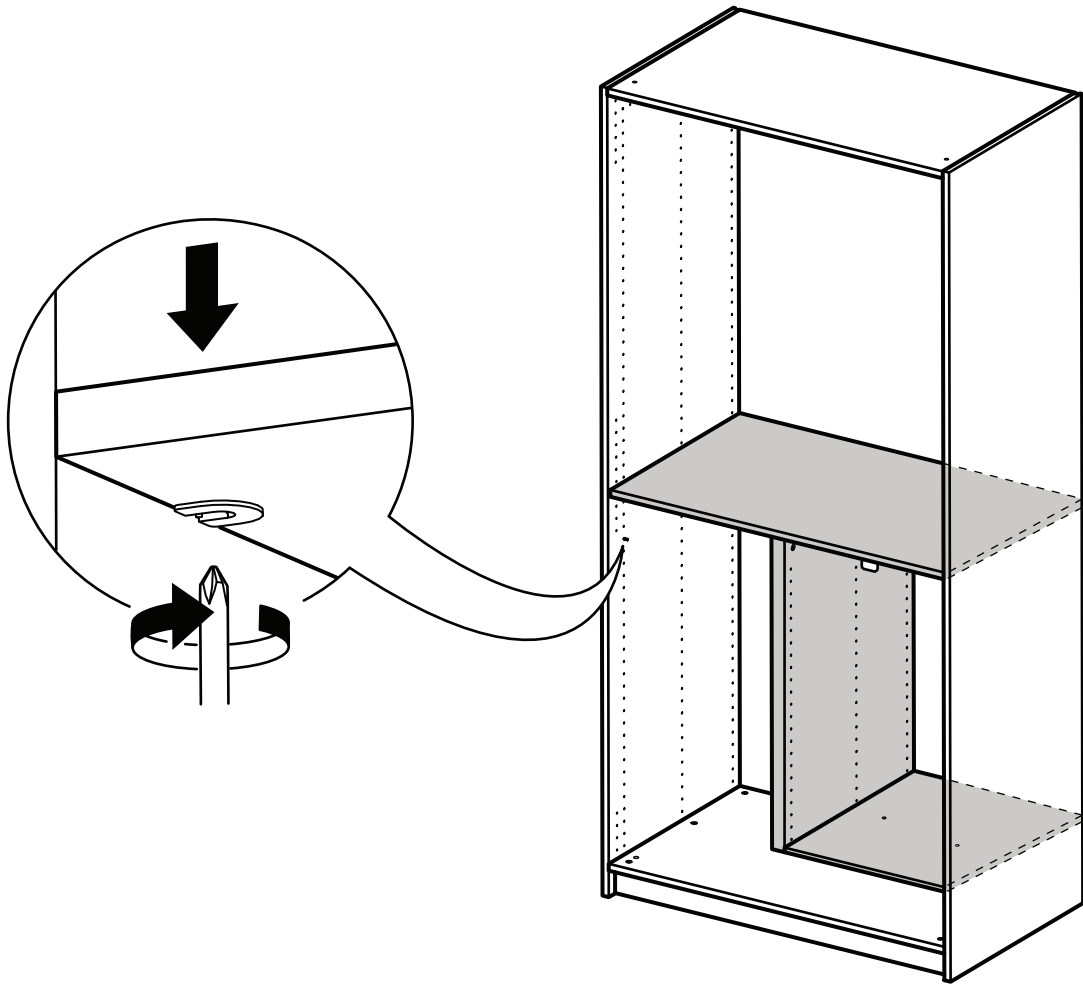


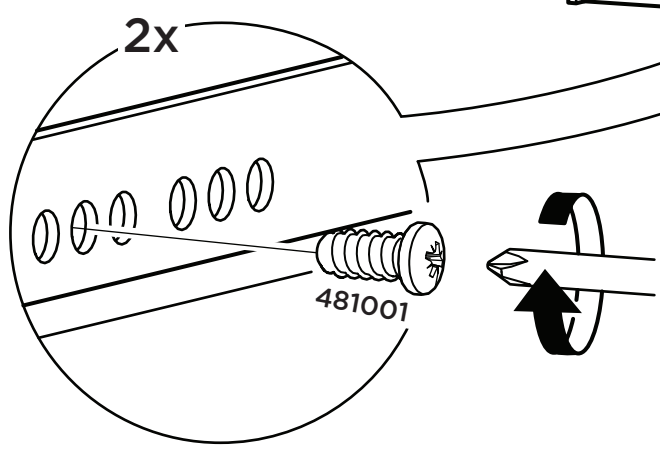
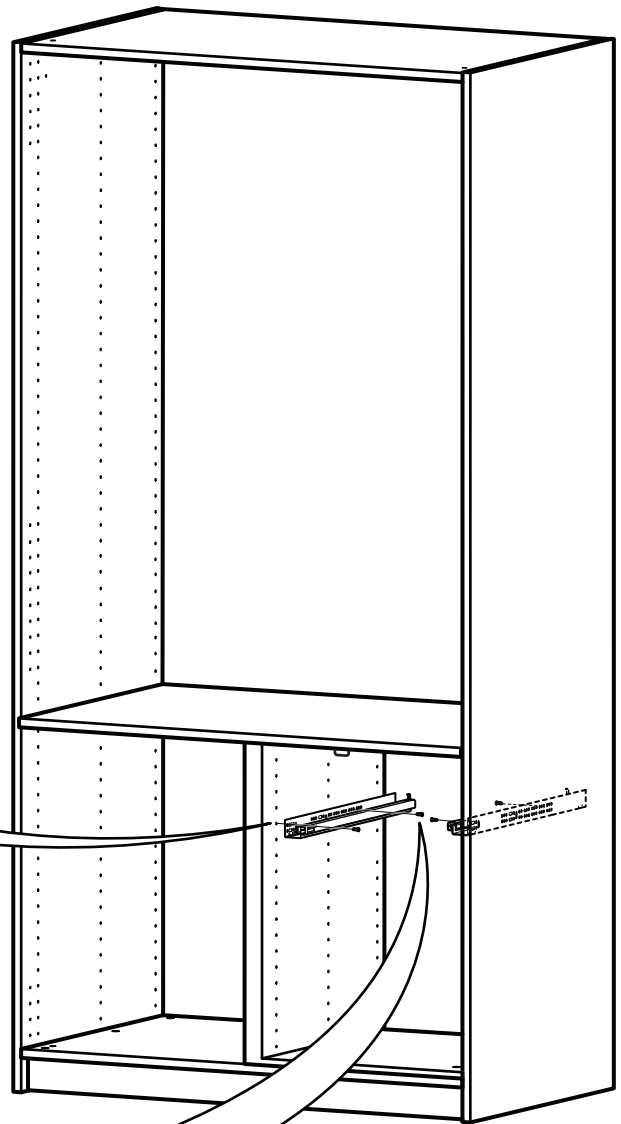
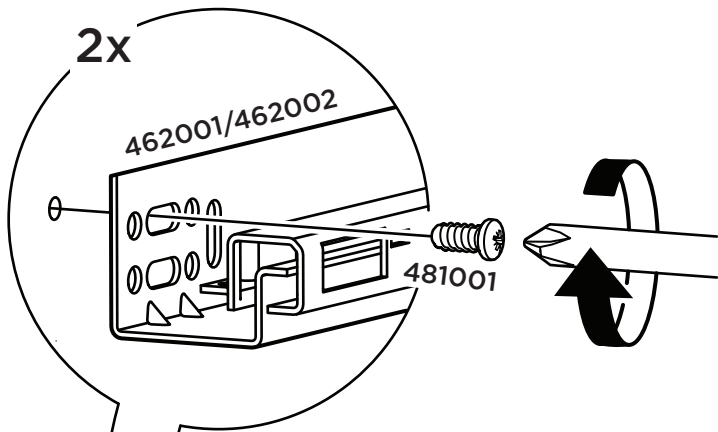


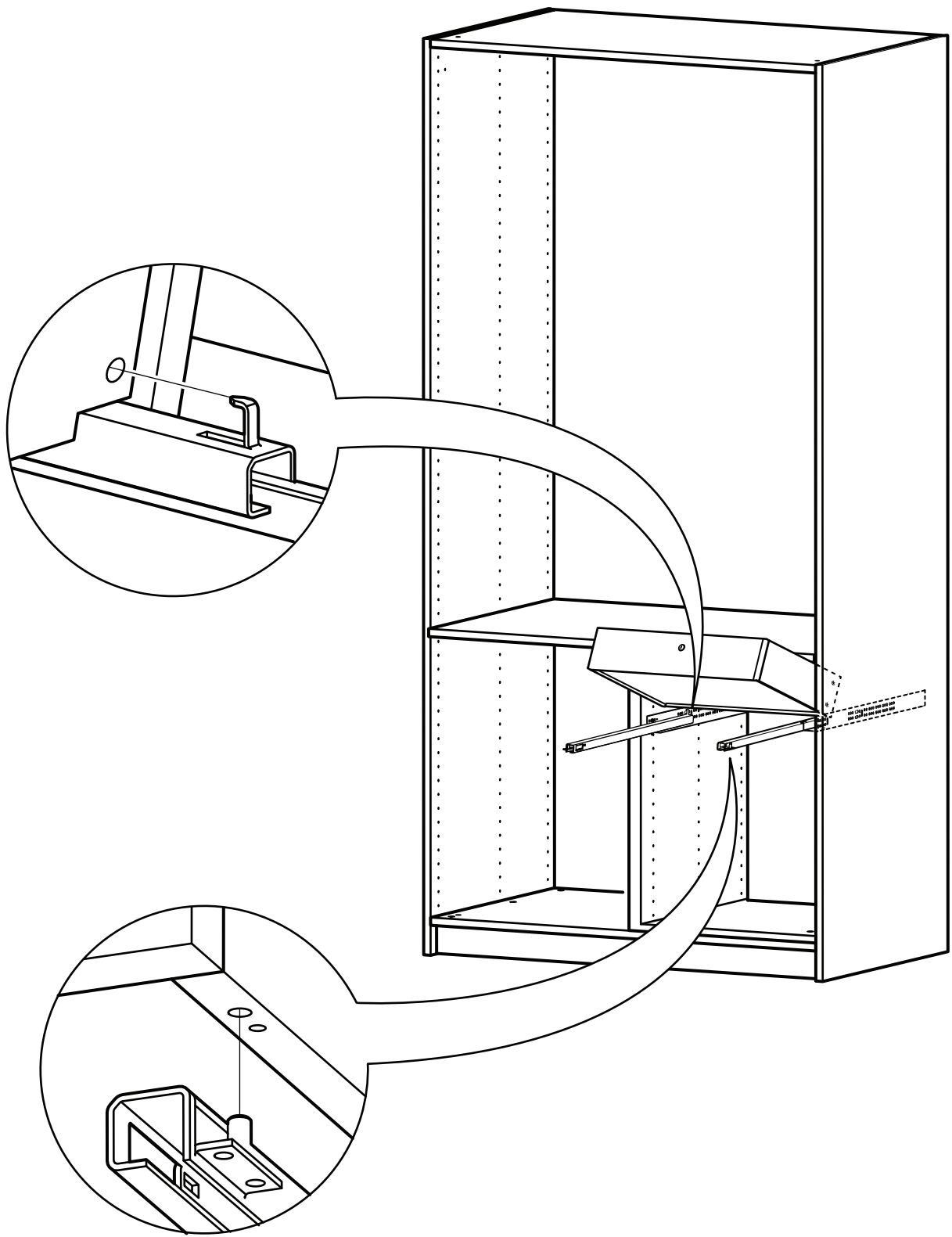


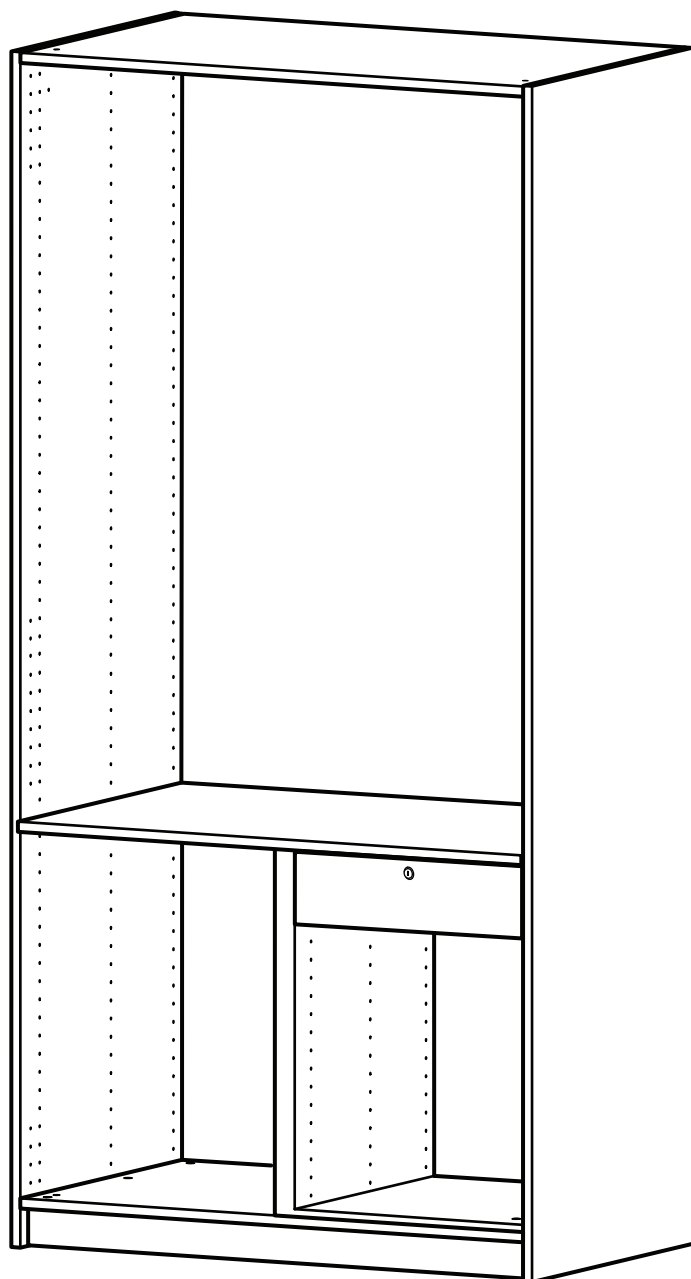
15











metercube