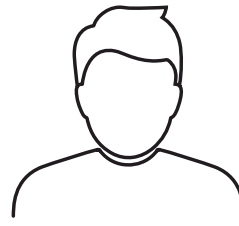
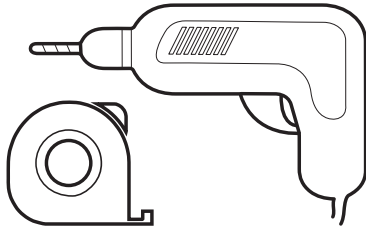


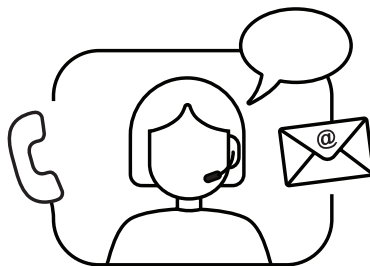
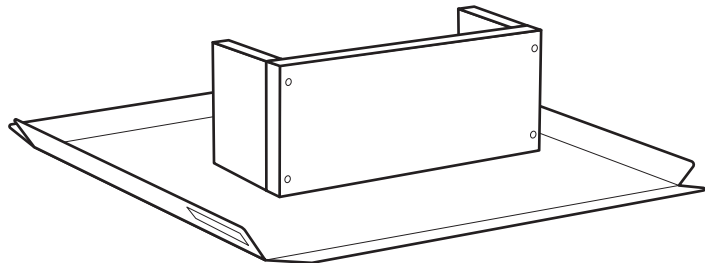
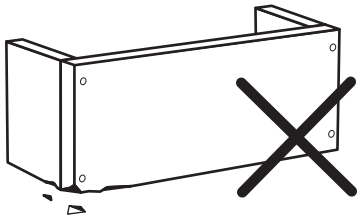
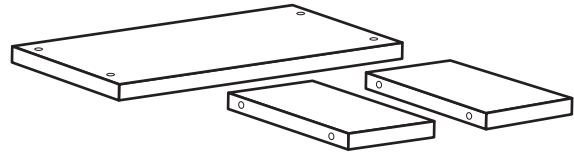
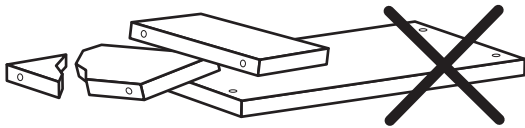
# **dwin**

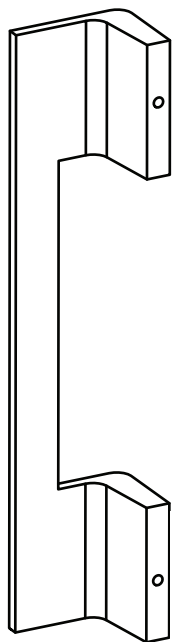
167.001.05  
167.001.06  
167.001.07  
167.001.08

metercube



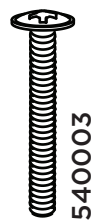
1x





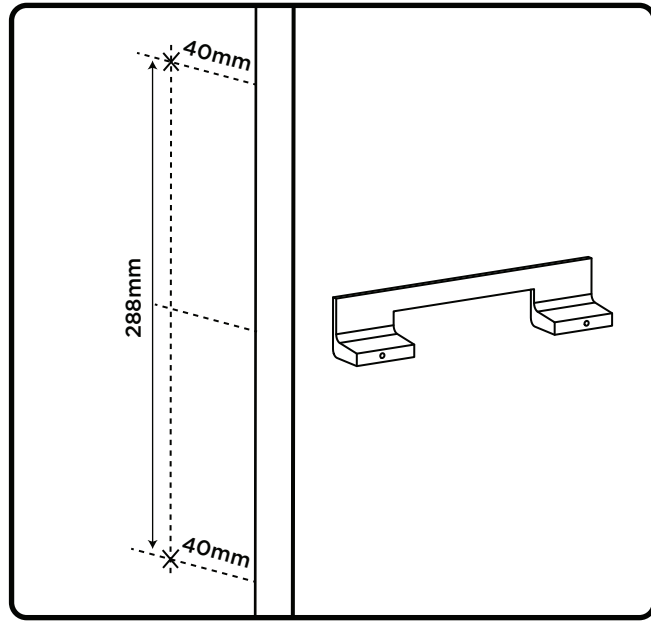
193305  
193105  
193005  
193205

**1x**

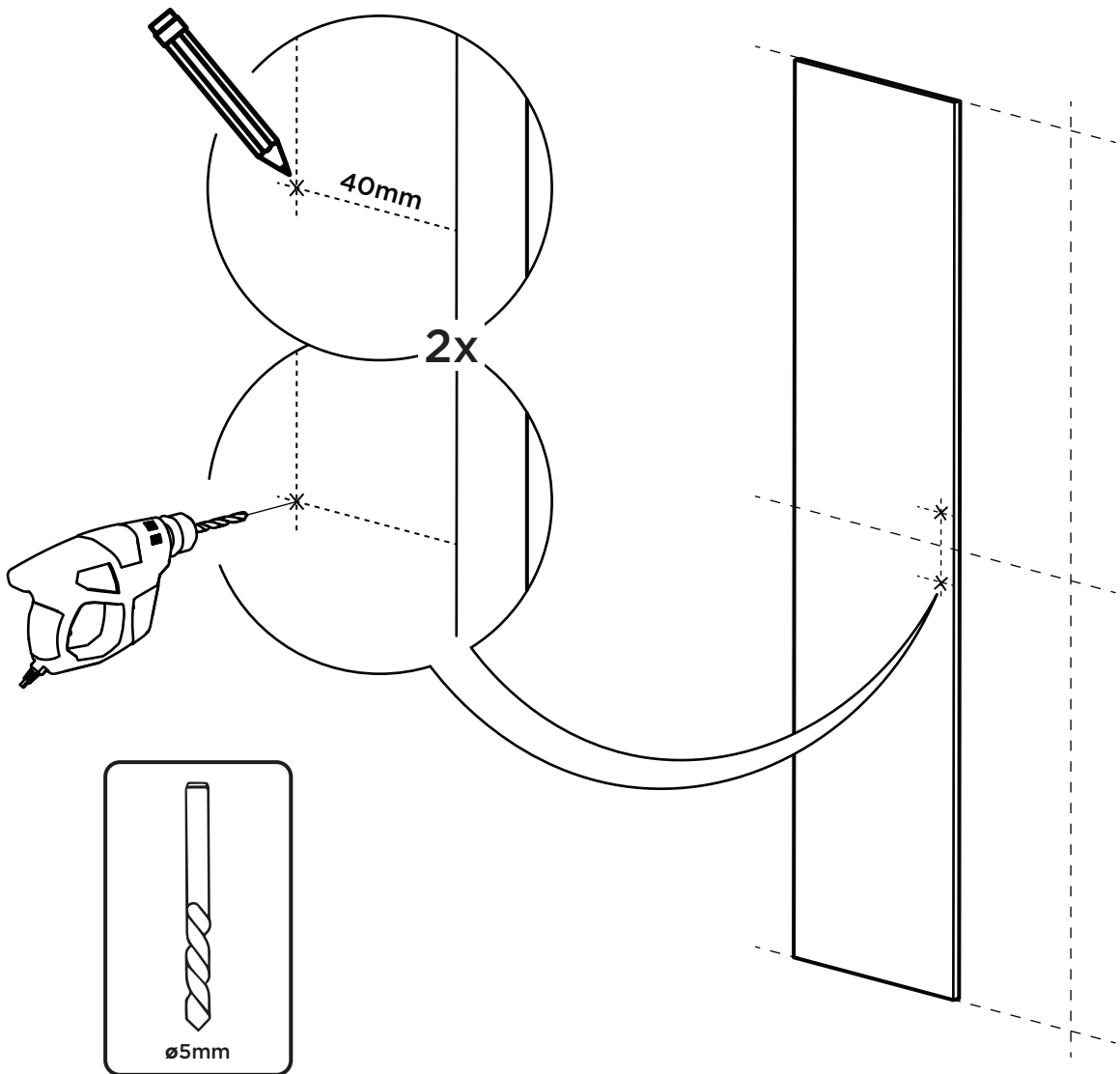


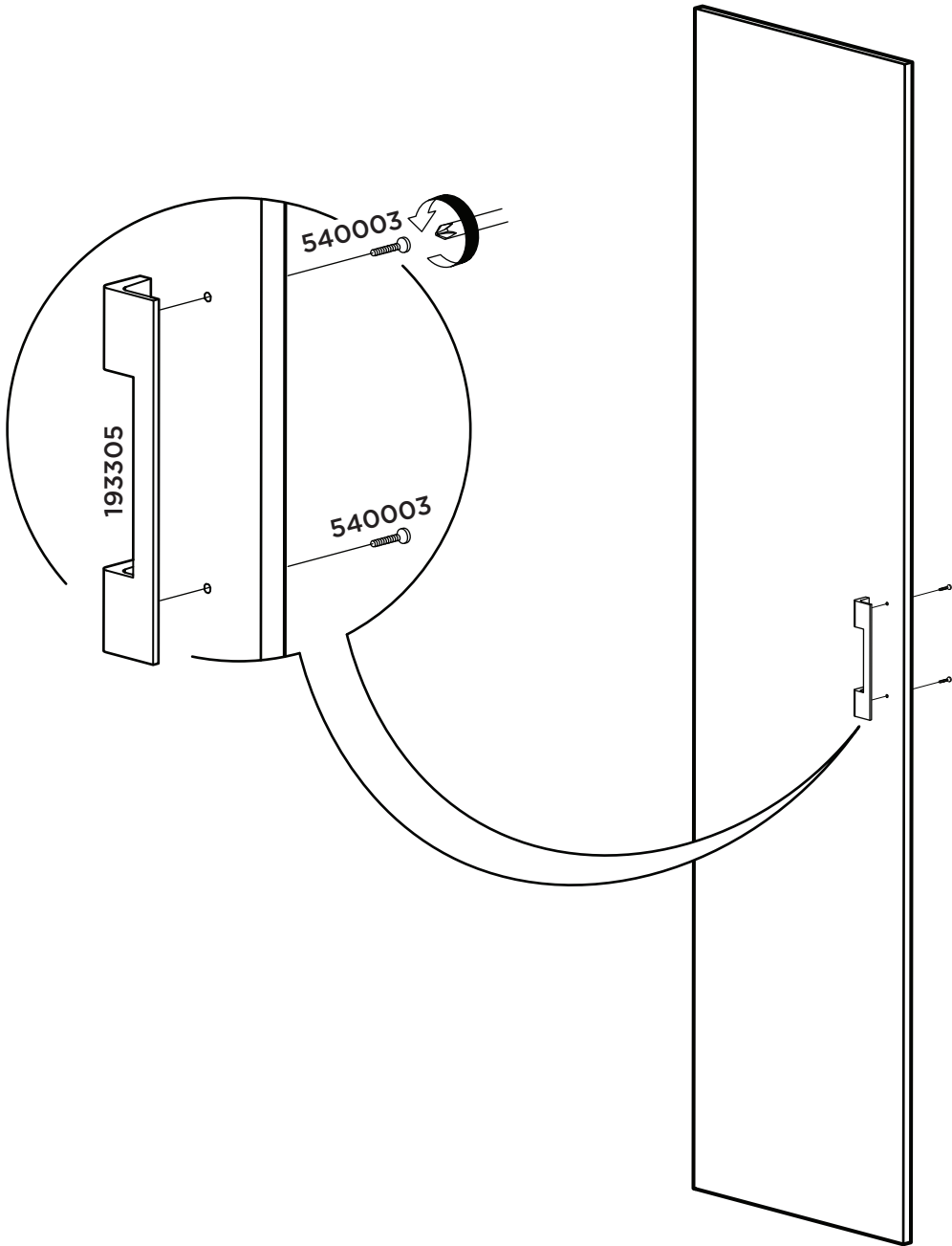
540003

**2x**



1









**metercube**