



dwin

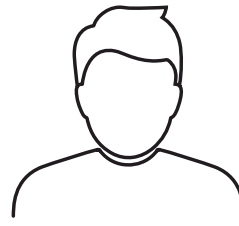
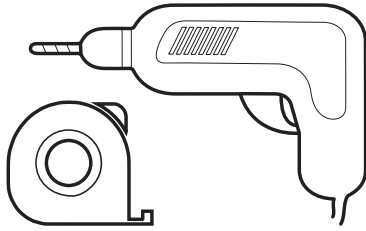
167.002.01

167.002.02

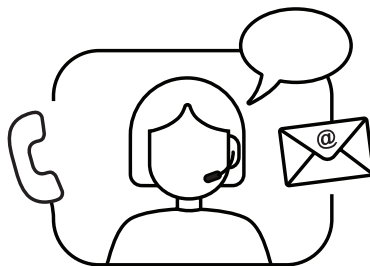
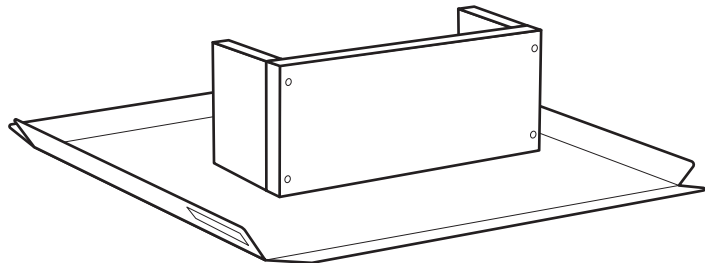
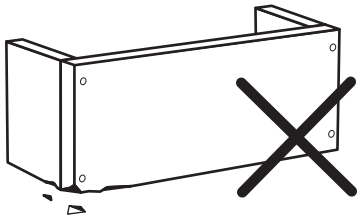
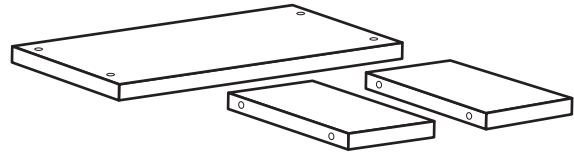
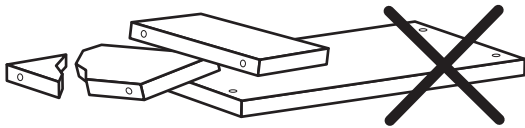
167.002.03

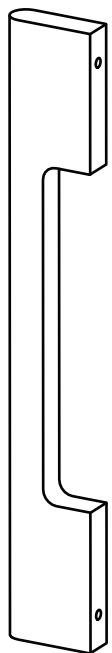
167.002.04

metercube



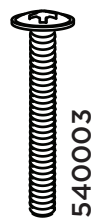
1x





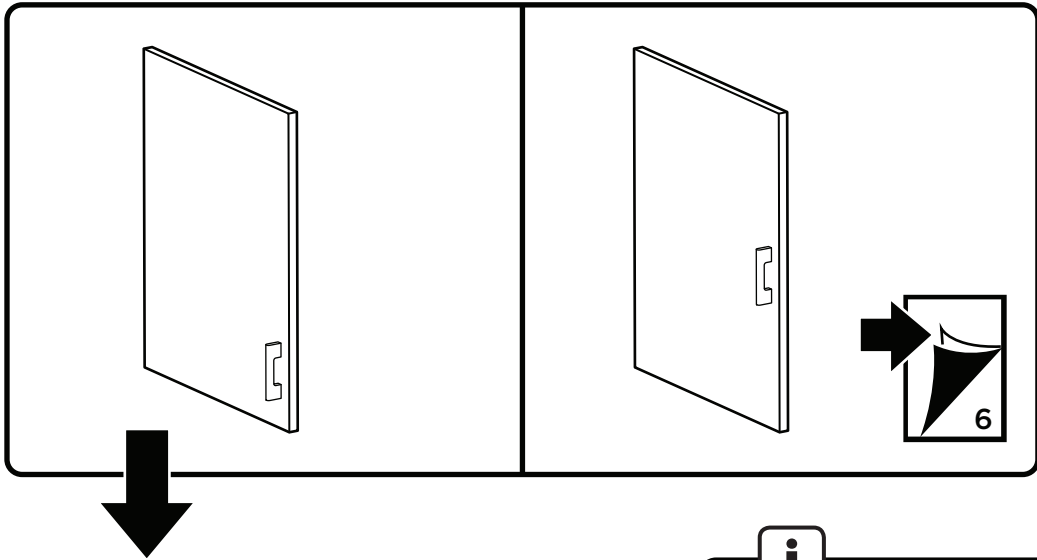
193306
193106
193006
193206

1x

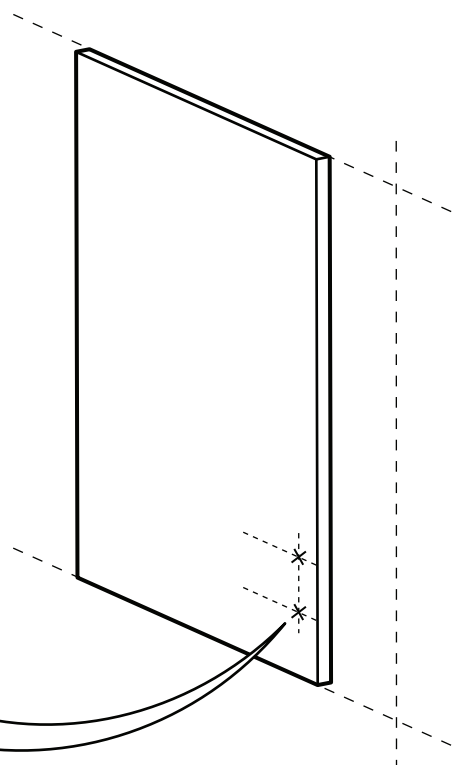
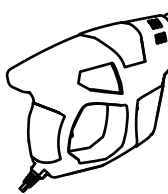
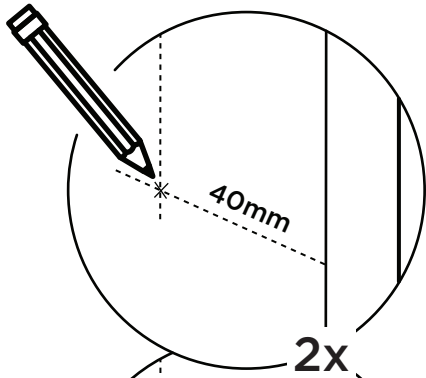
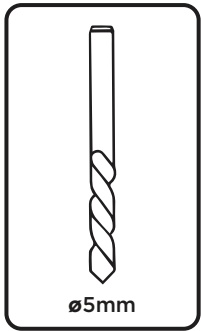
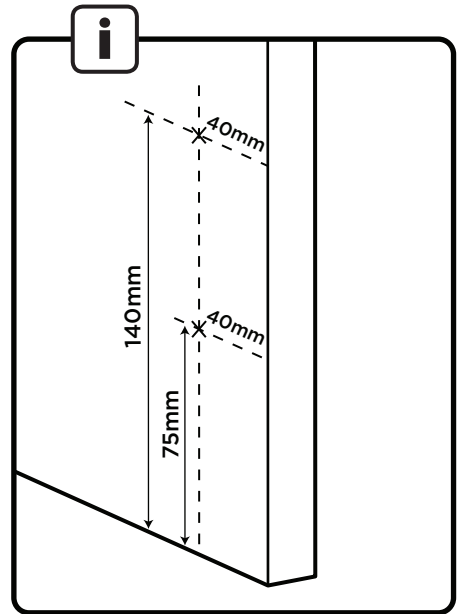


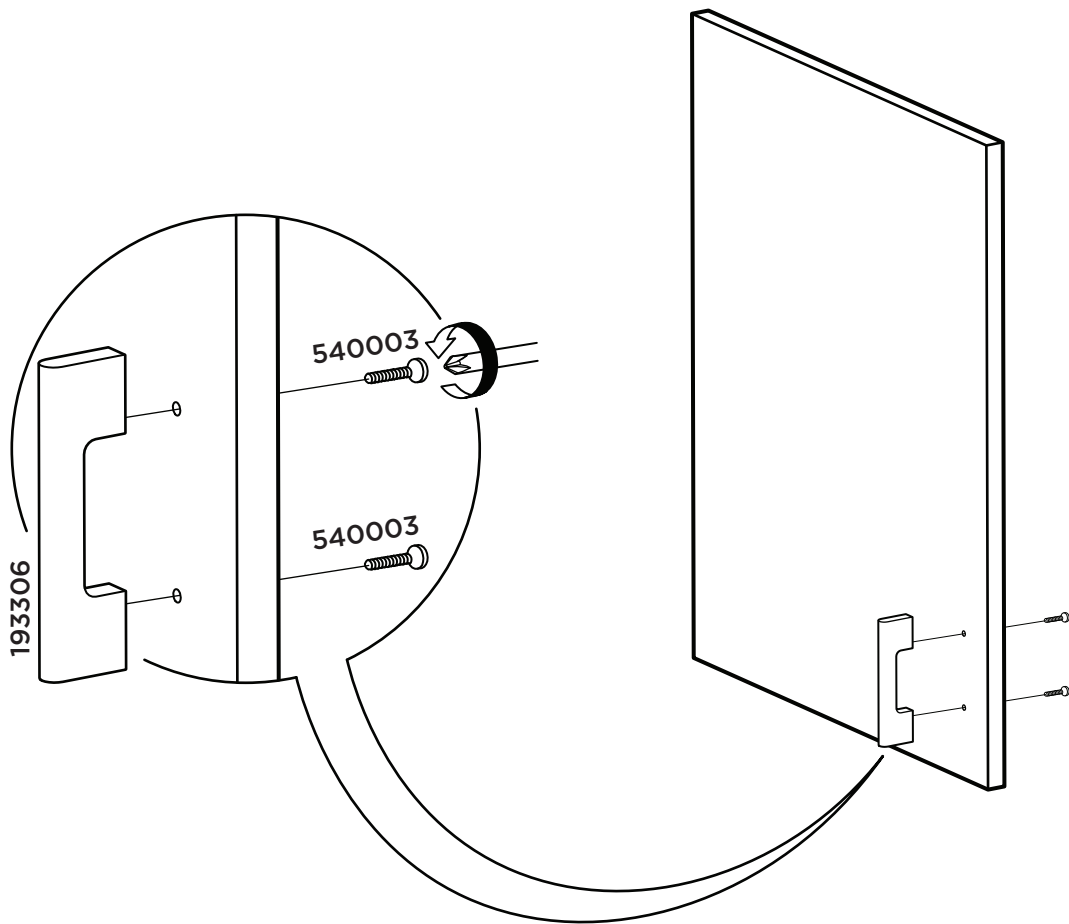
540003

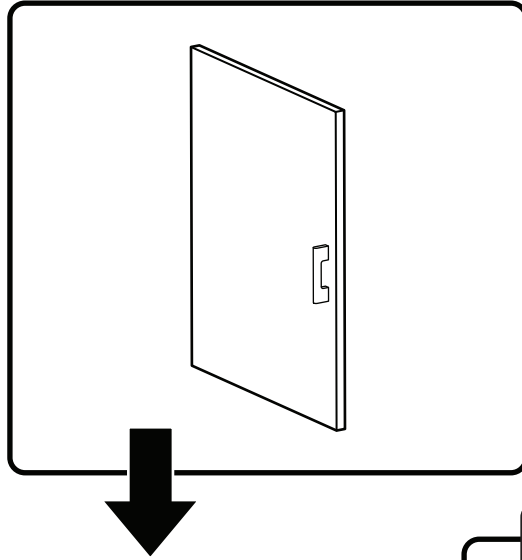
2x



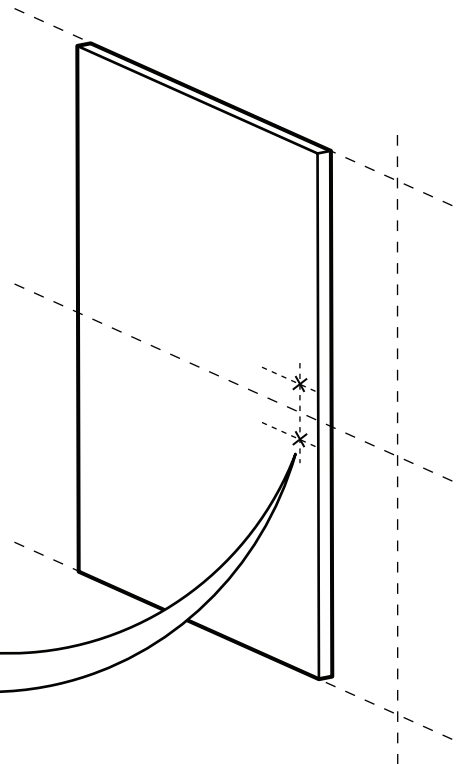
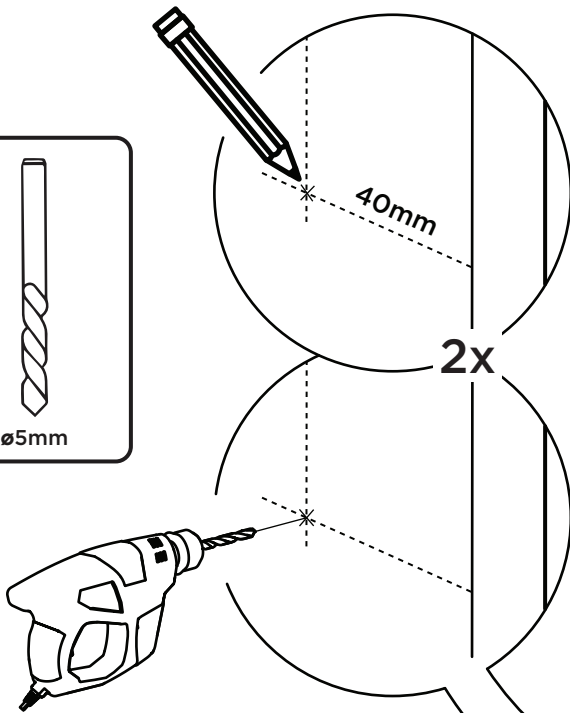
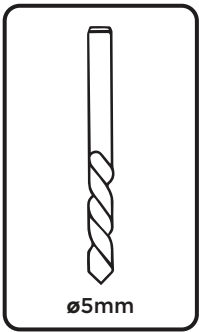
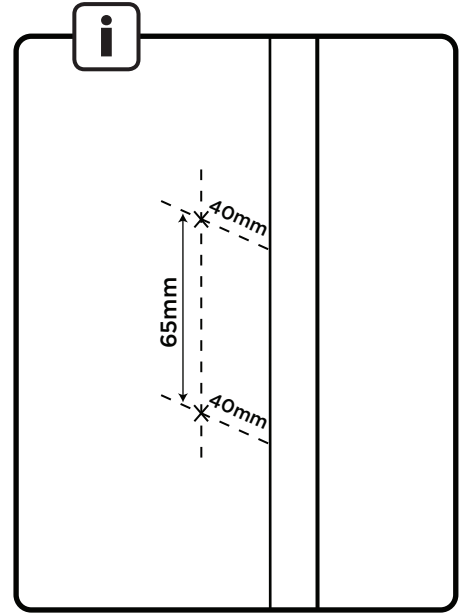
1

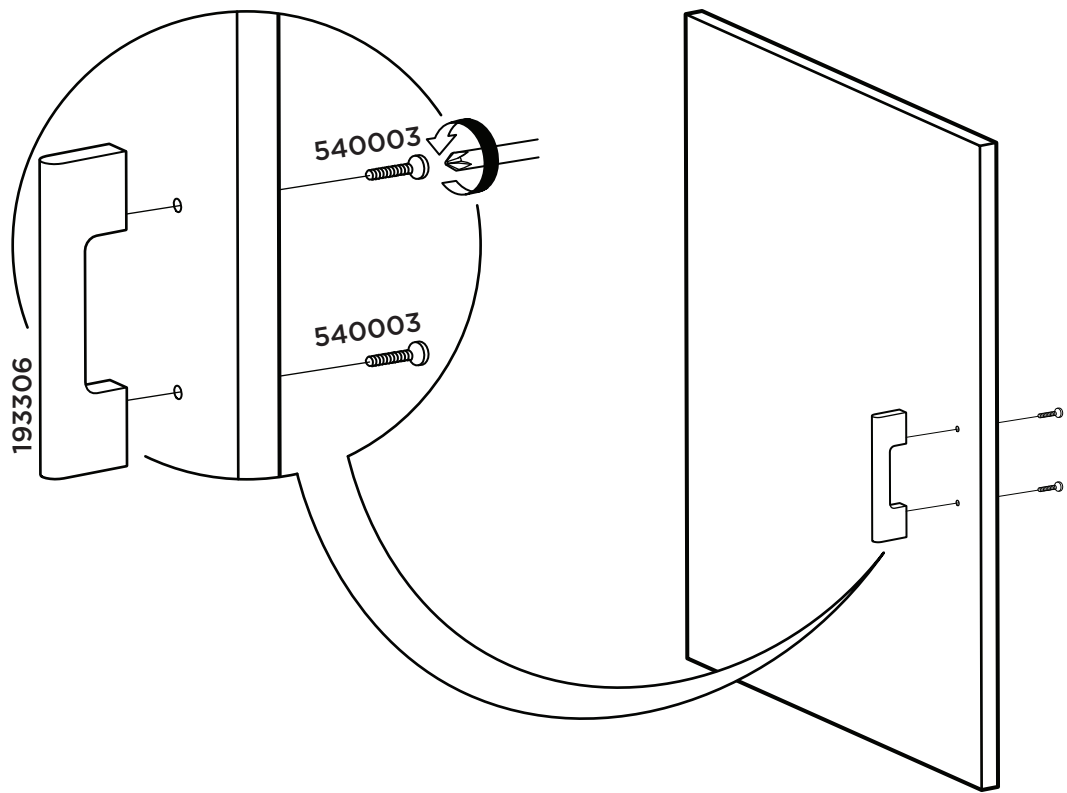






3





metercube