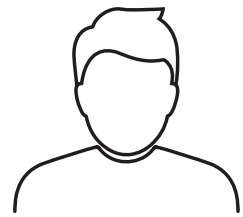
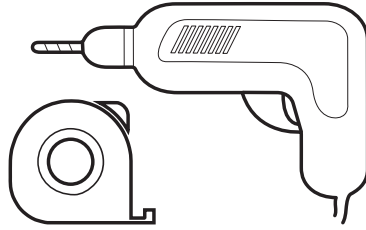
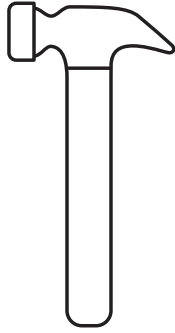
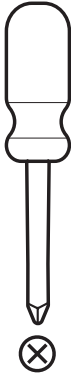


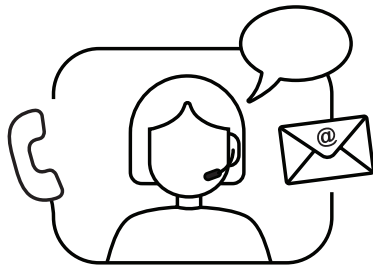
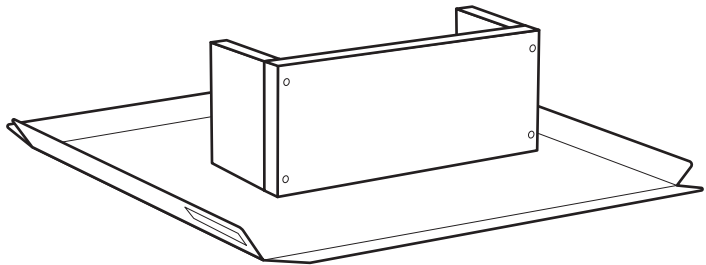
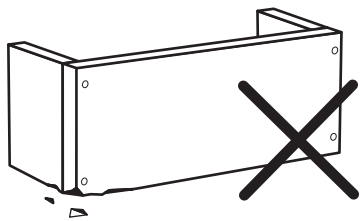
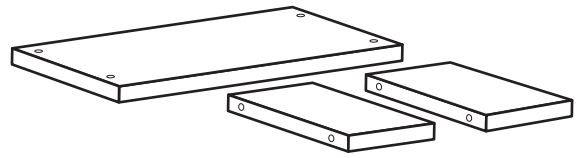
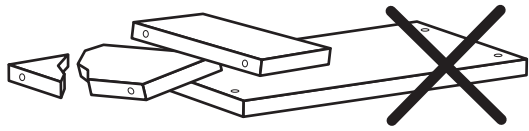
# apparent

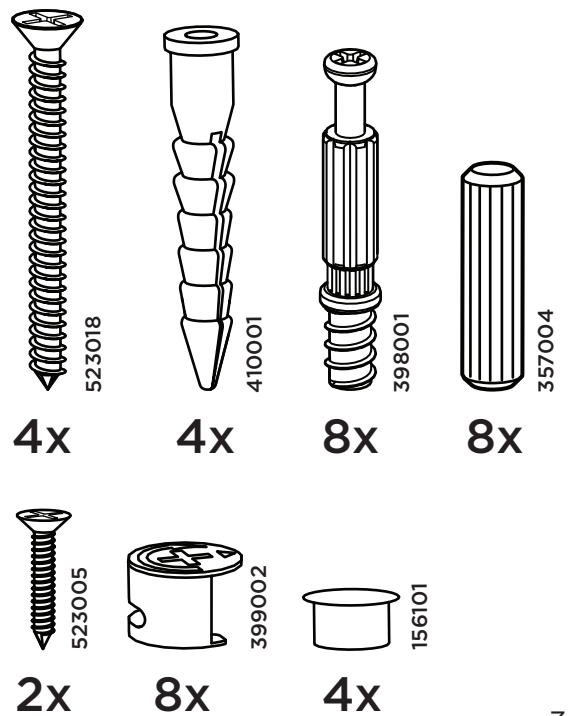
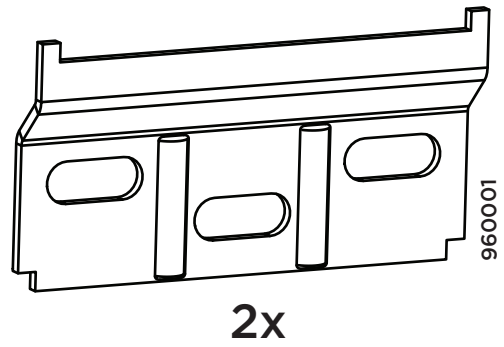
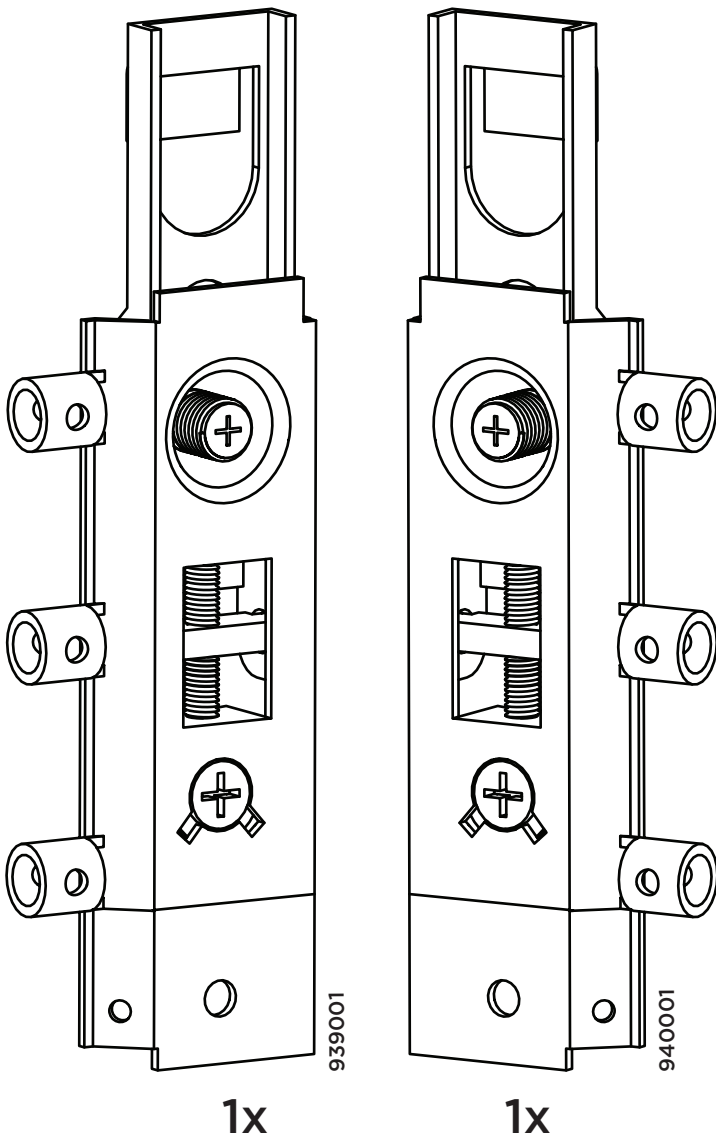
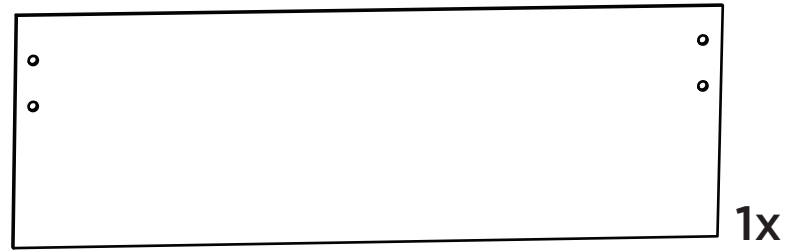
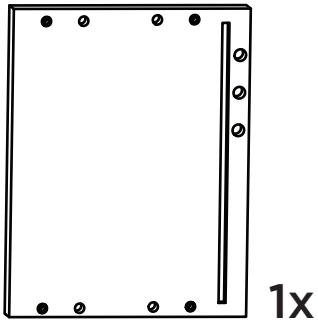
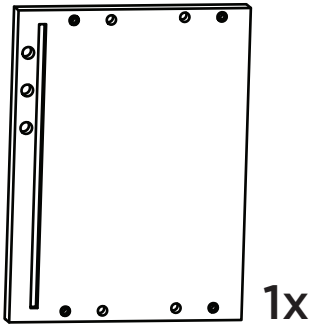
182.002.05

metercube

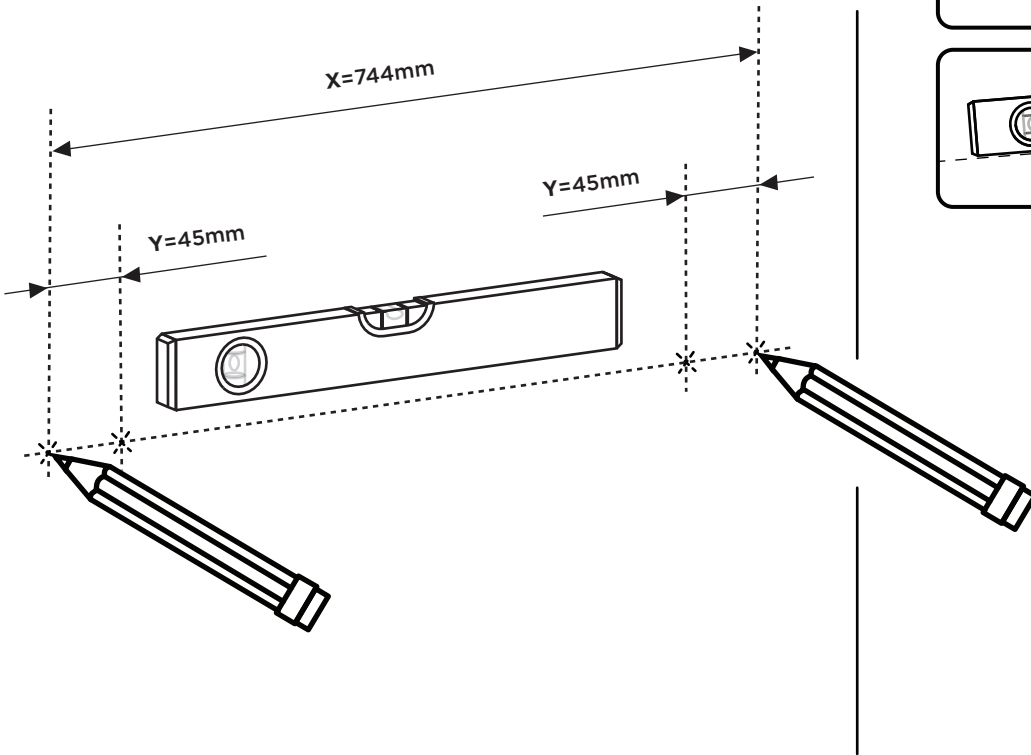


1x

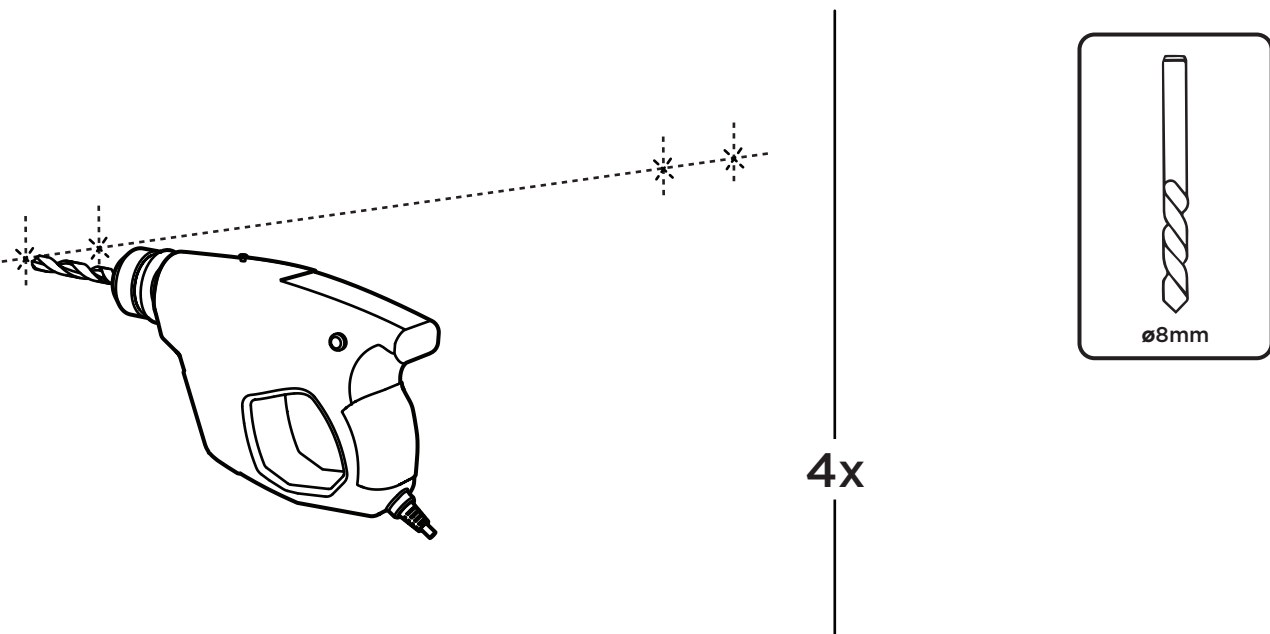




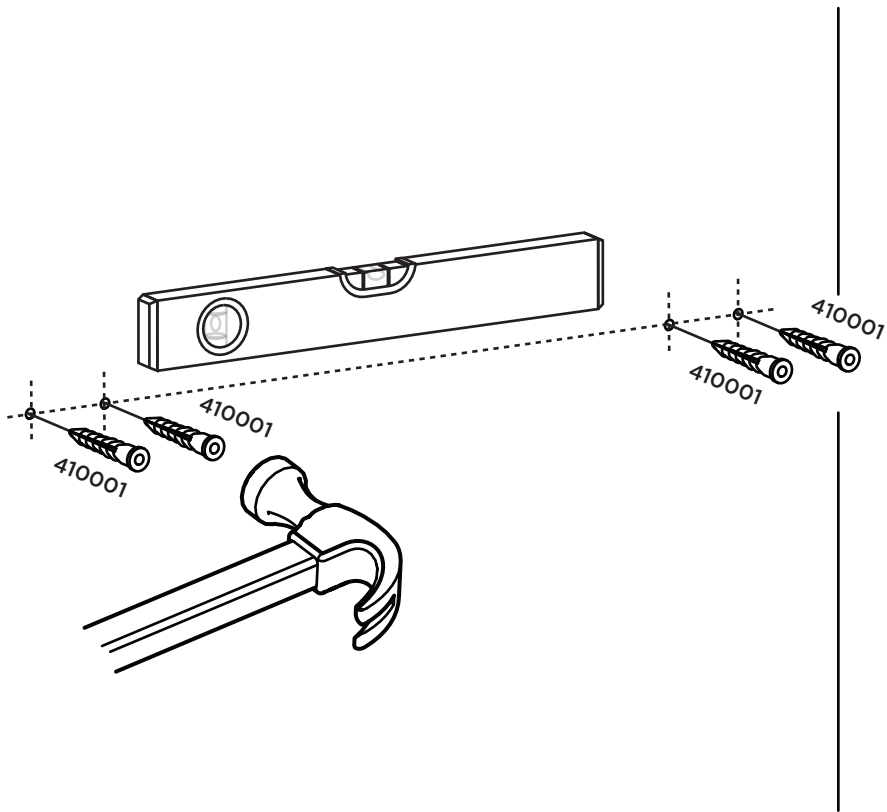
1



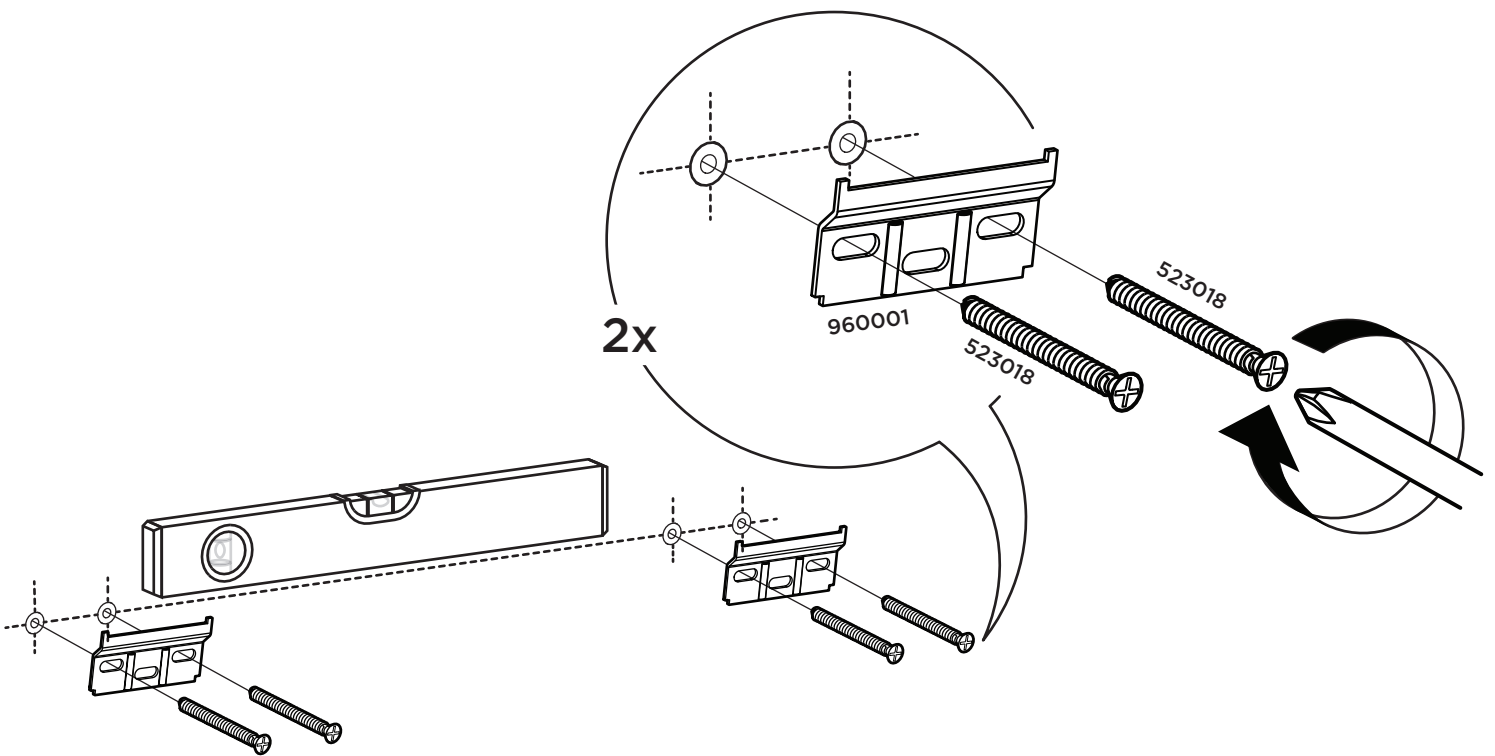
2



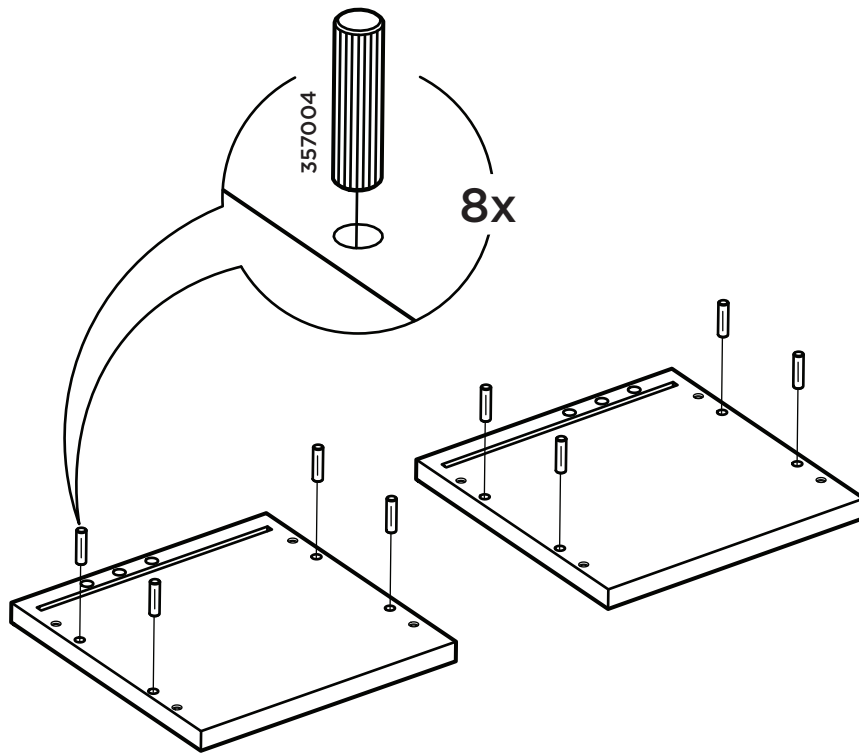
3



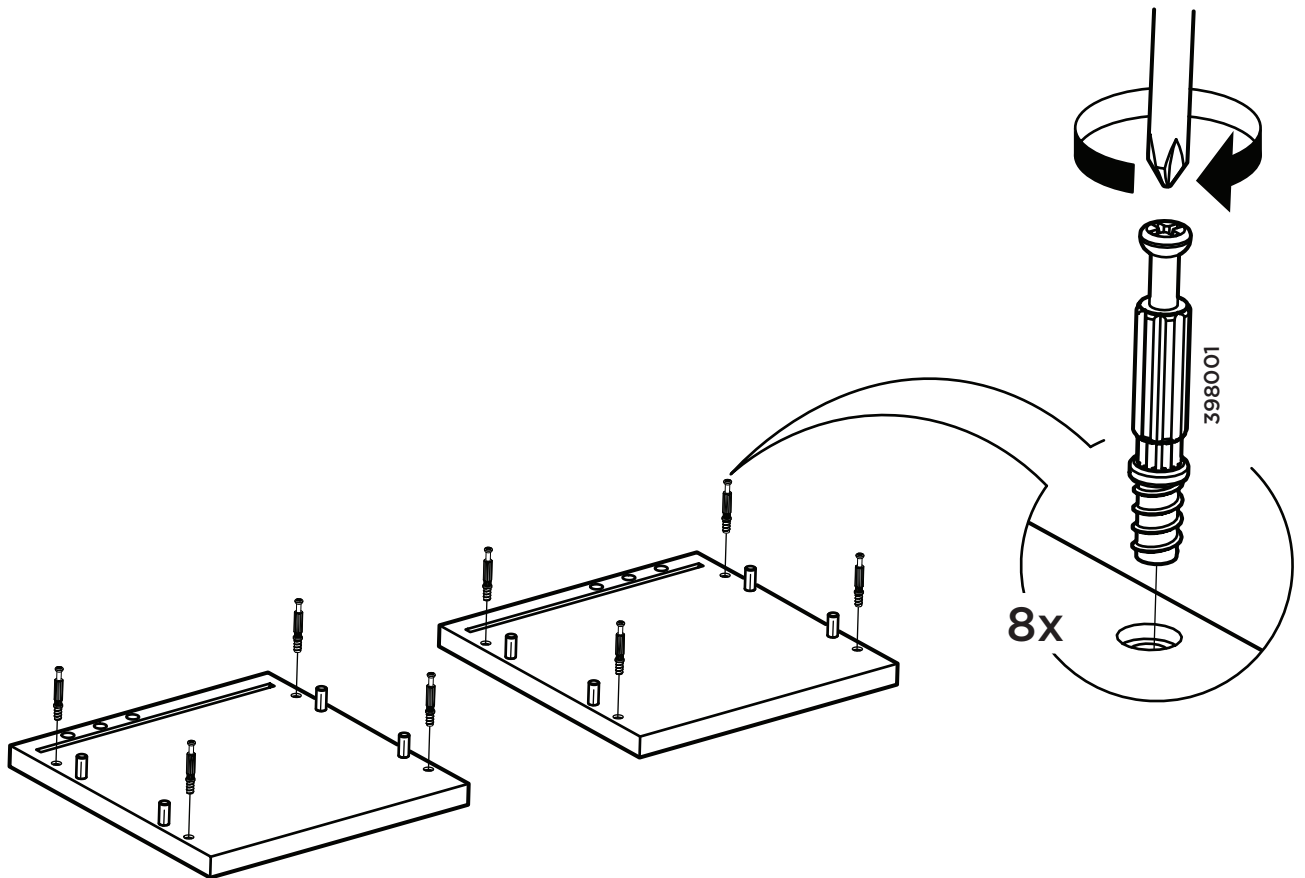
4



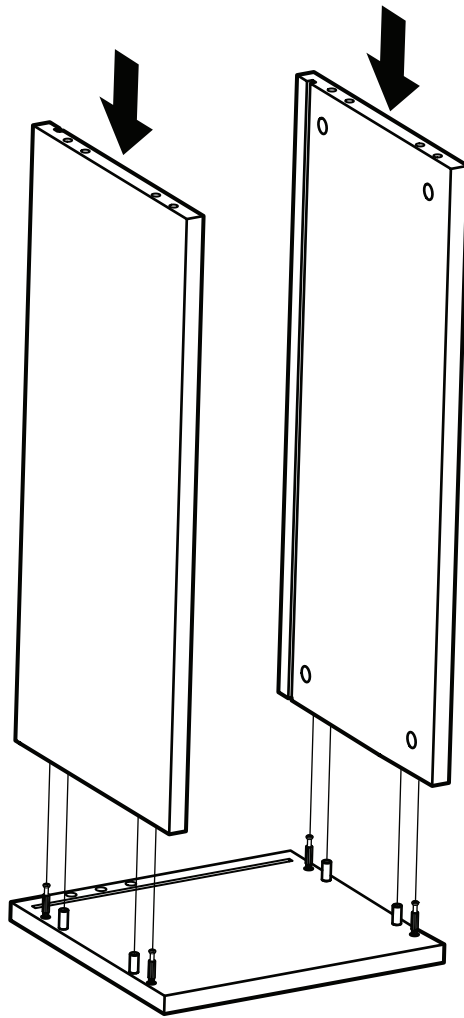
5



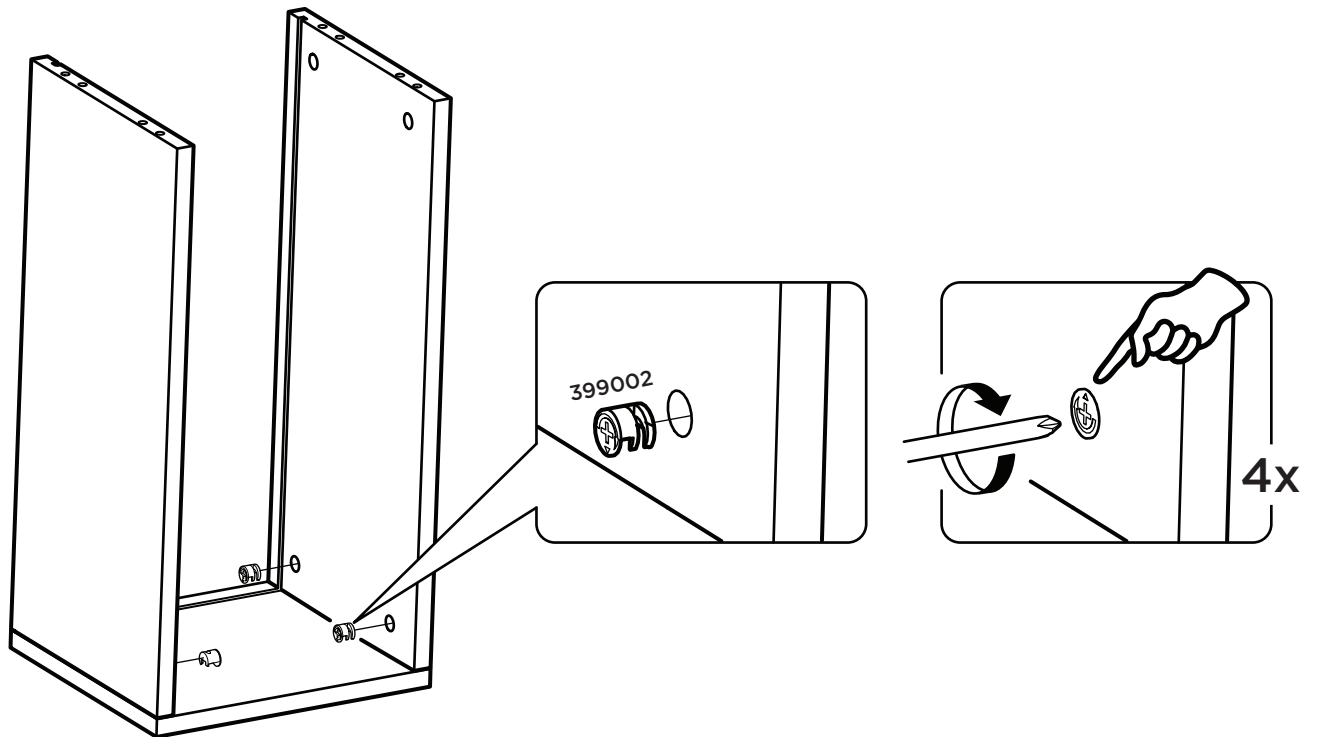
6



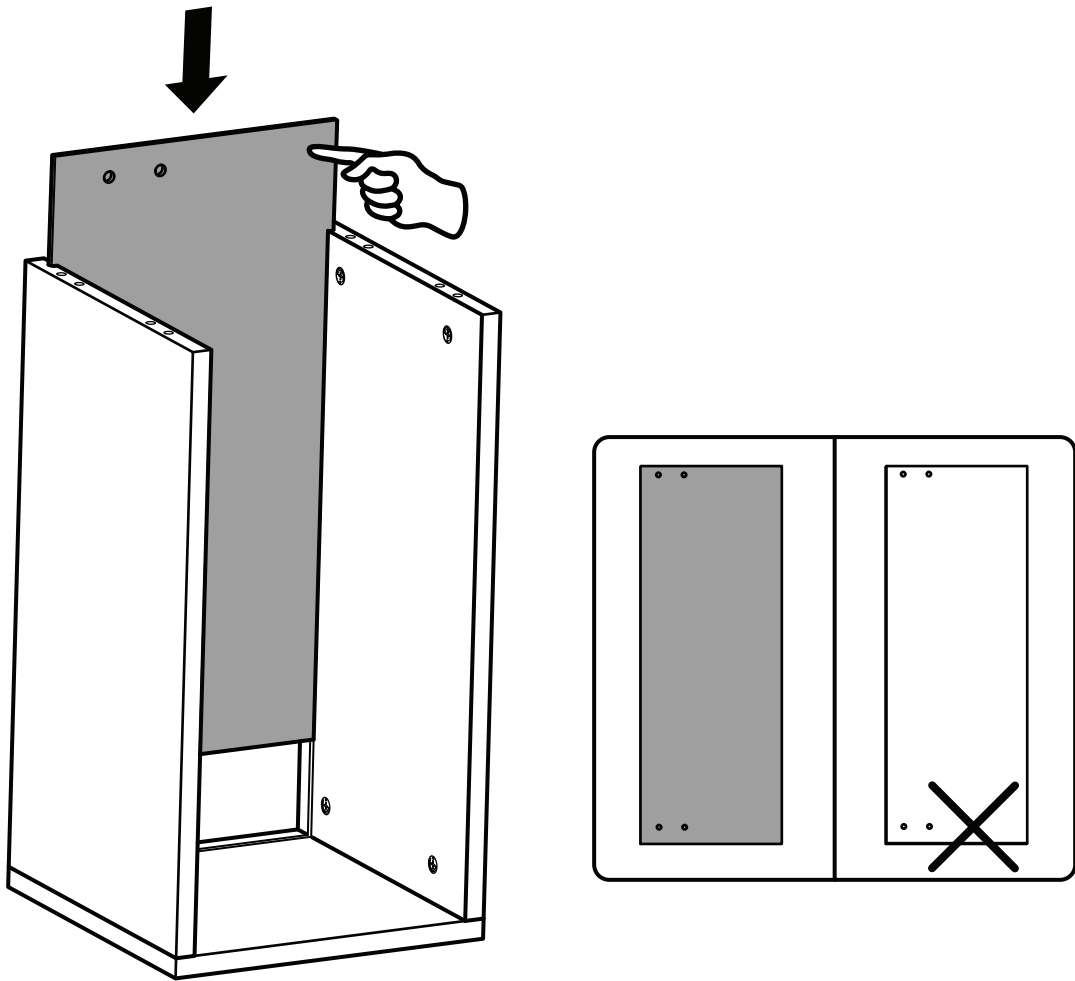
7



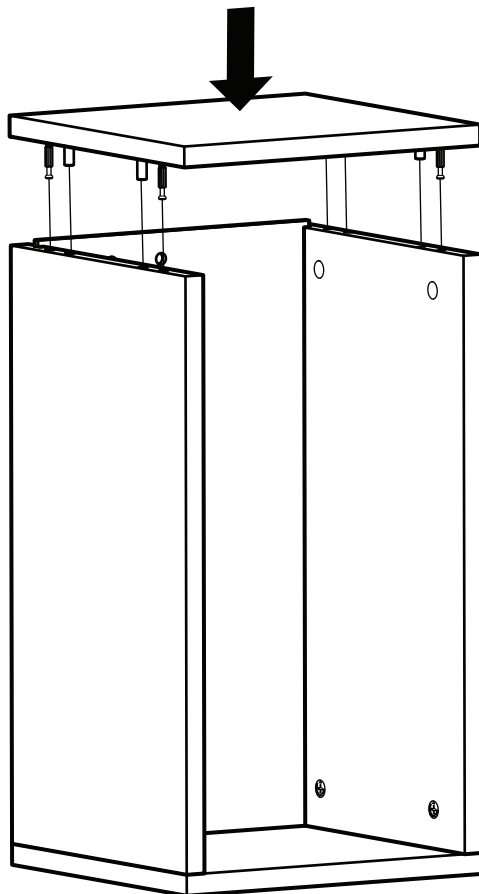
8



9

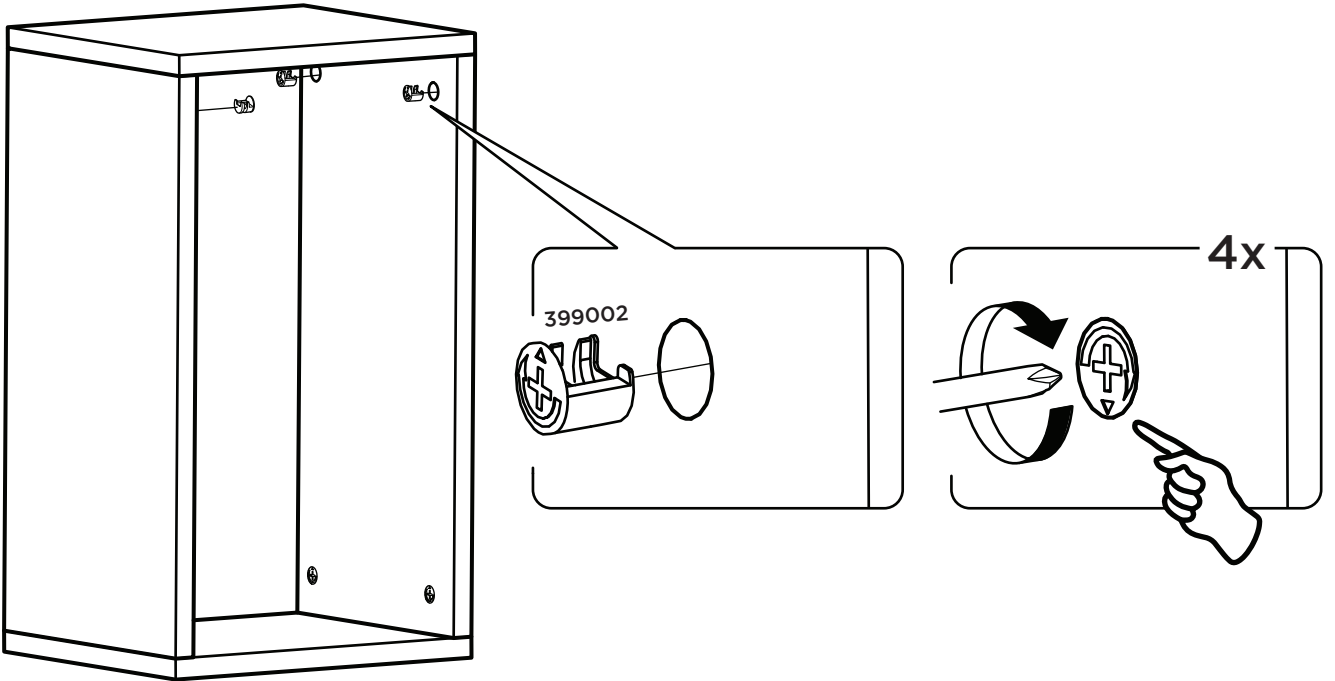


10

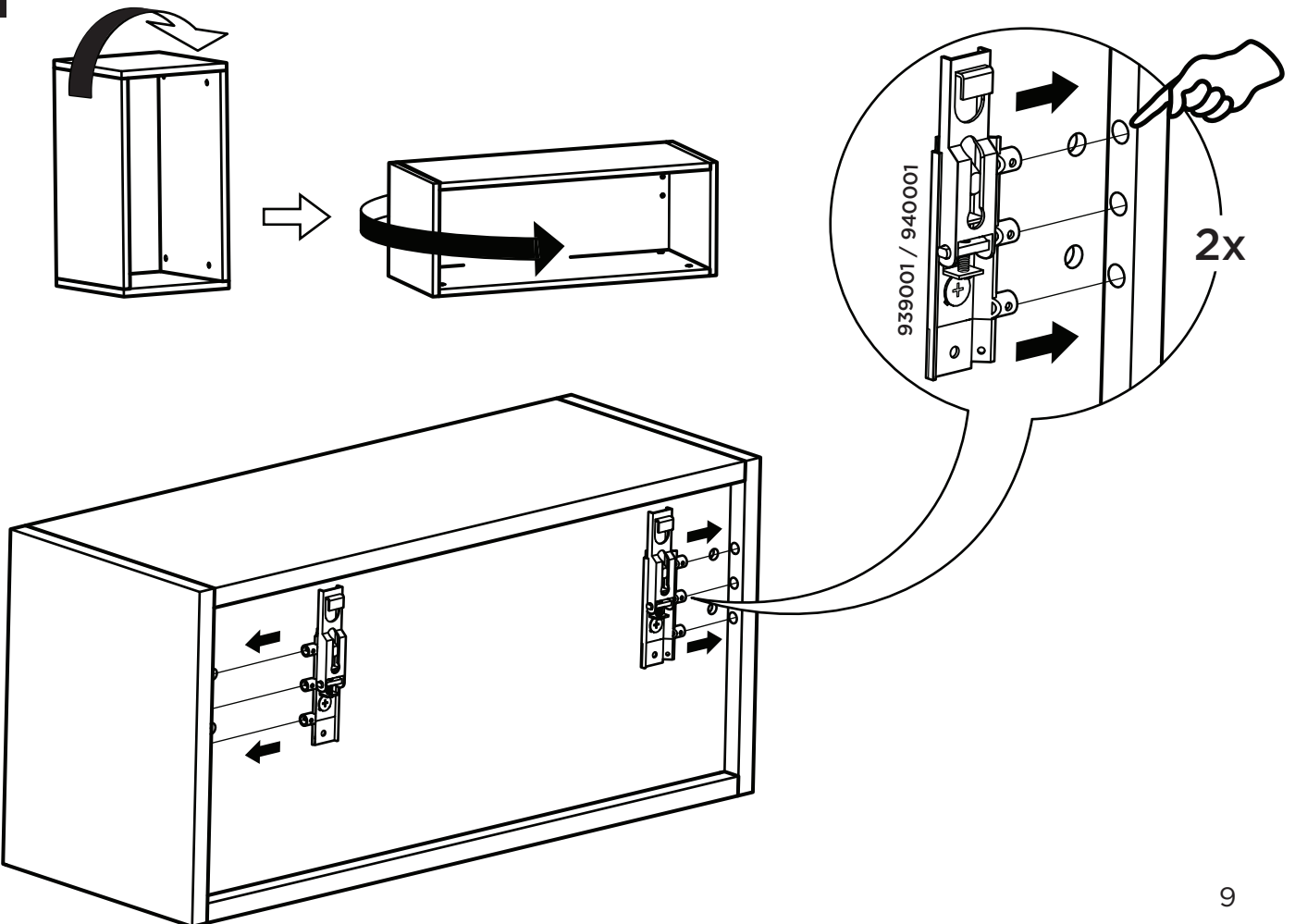




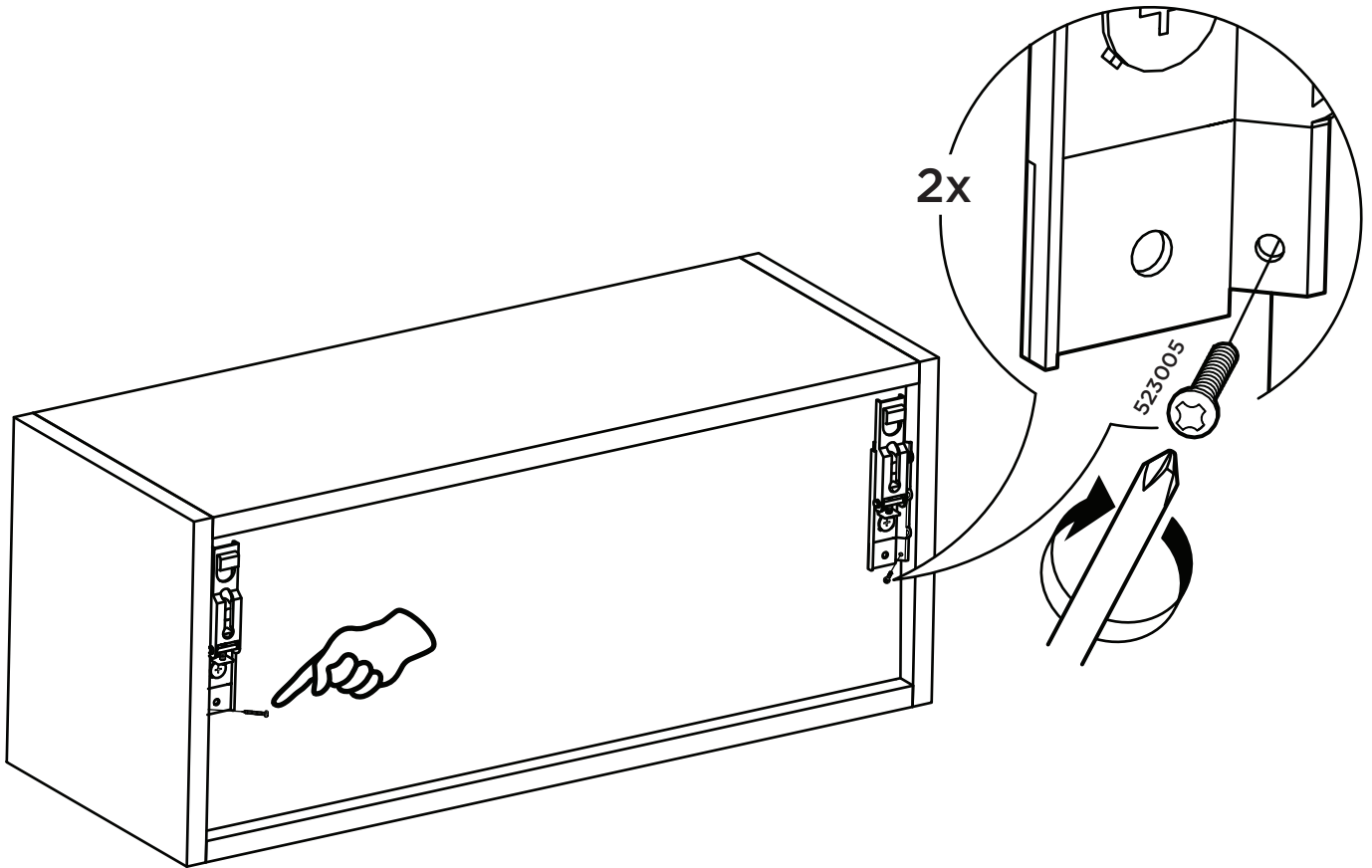
11



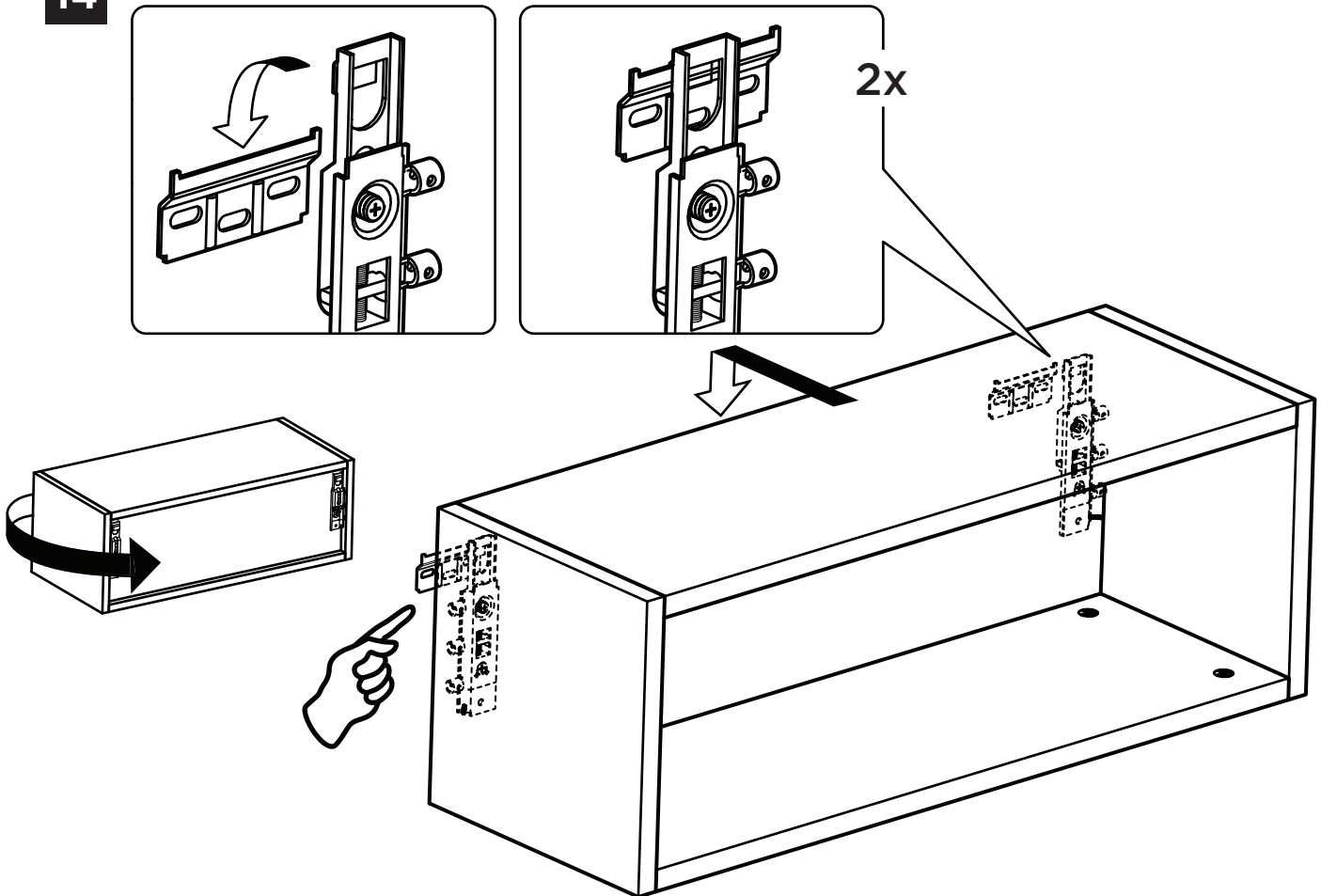
12



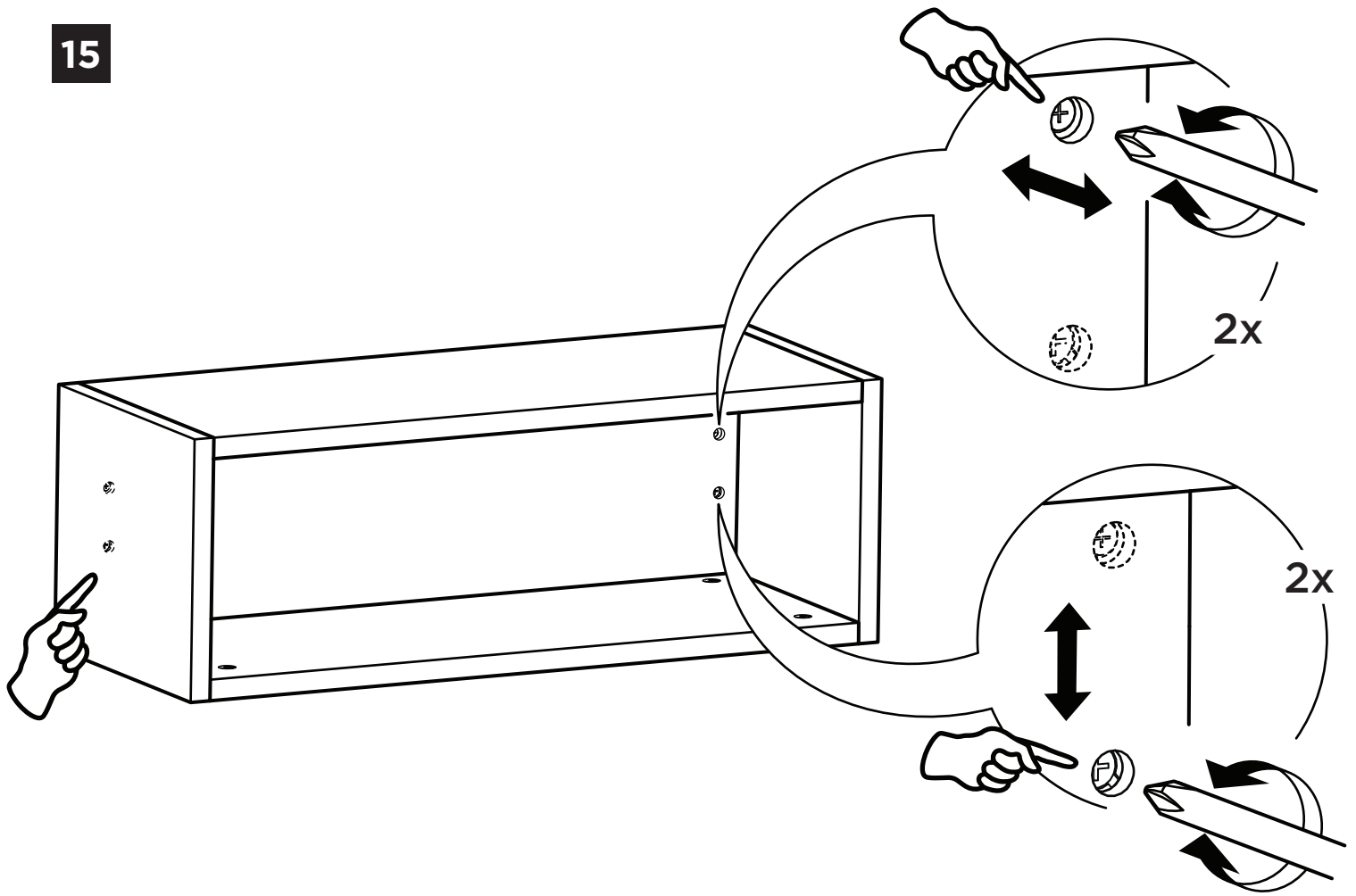
13



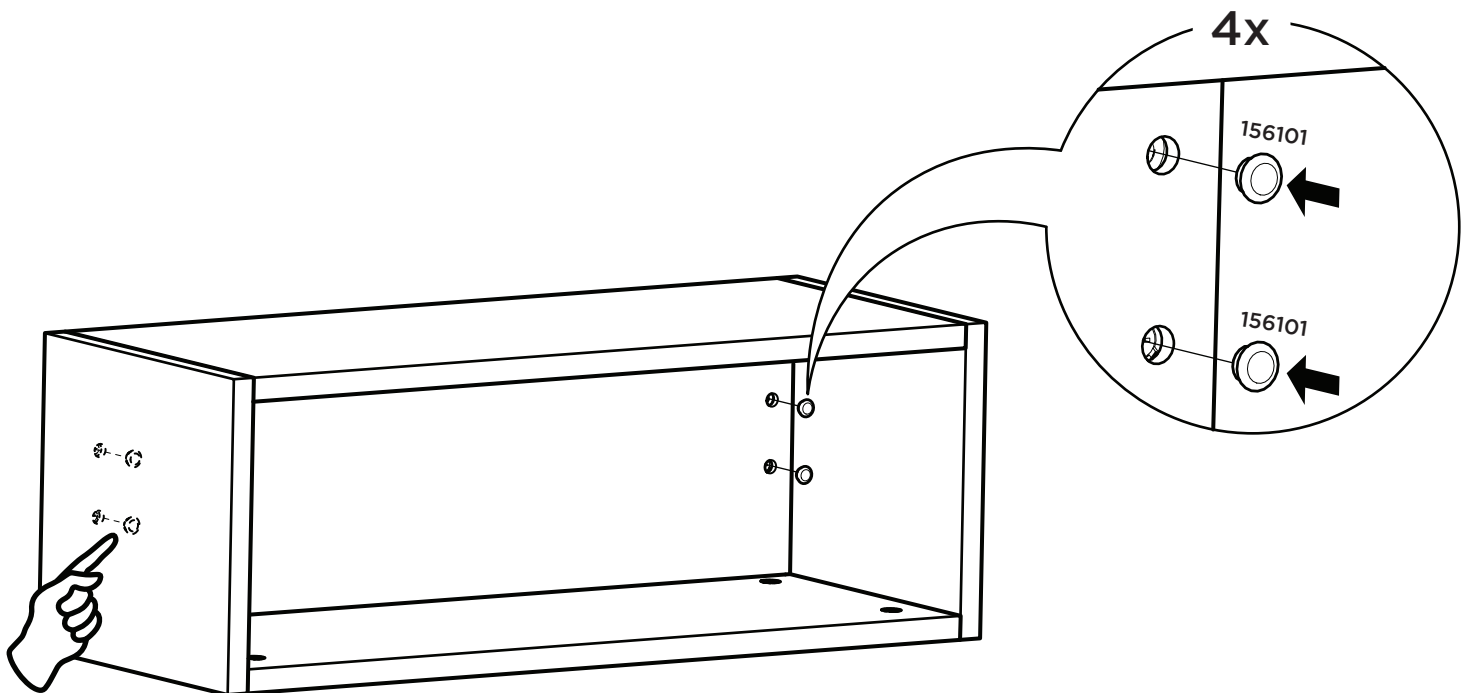
14



15



16



**metercube**