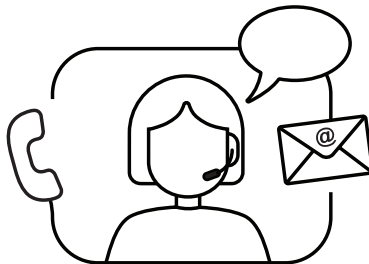
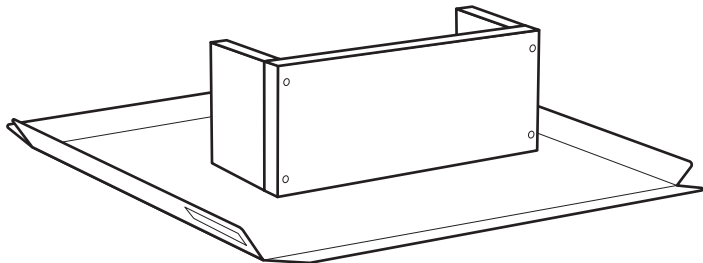
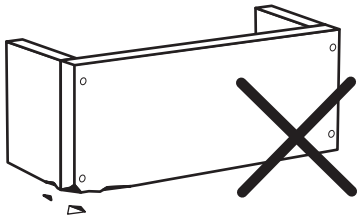
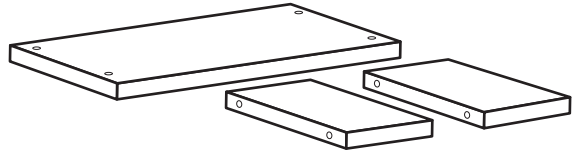
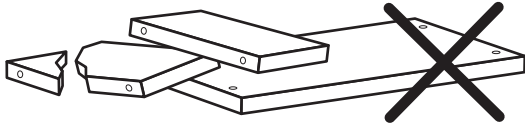
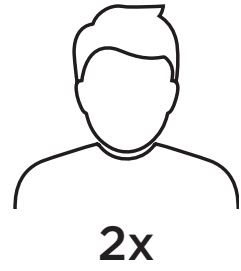
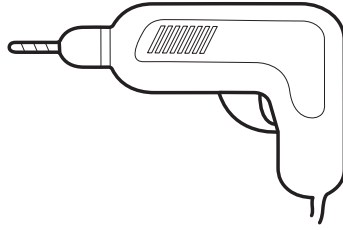
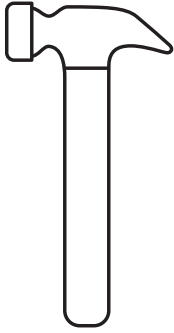


irma

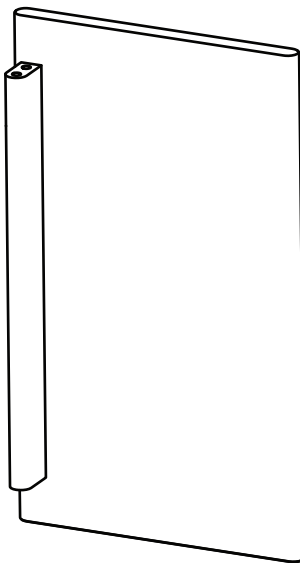
254.002.01
254.002.02

metercube

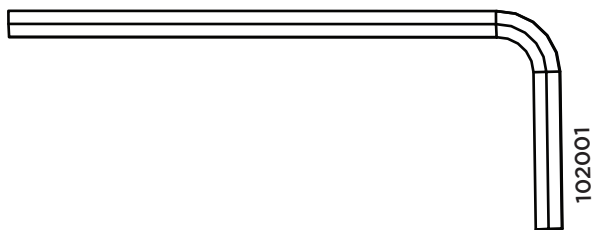




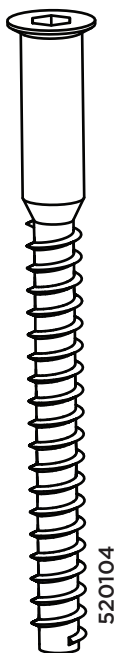
2x



3x

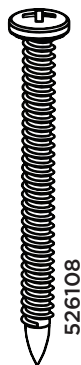


1x



6x

520104



4x

526108



4x

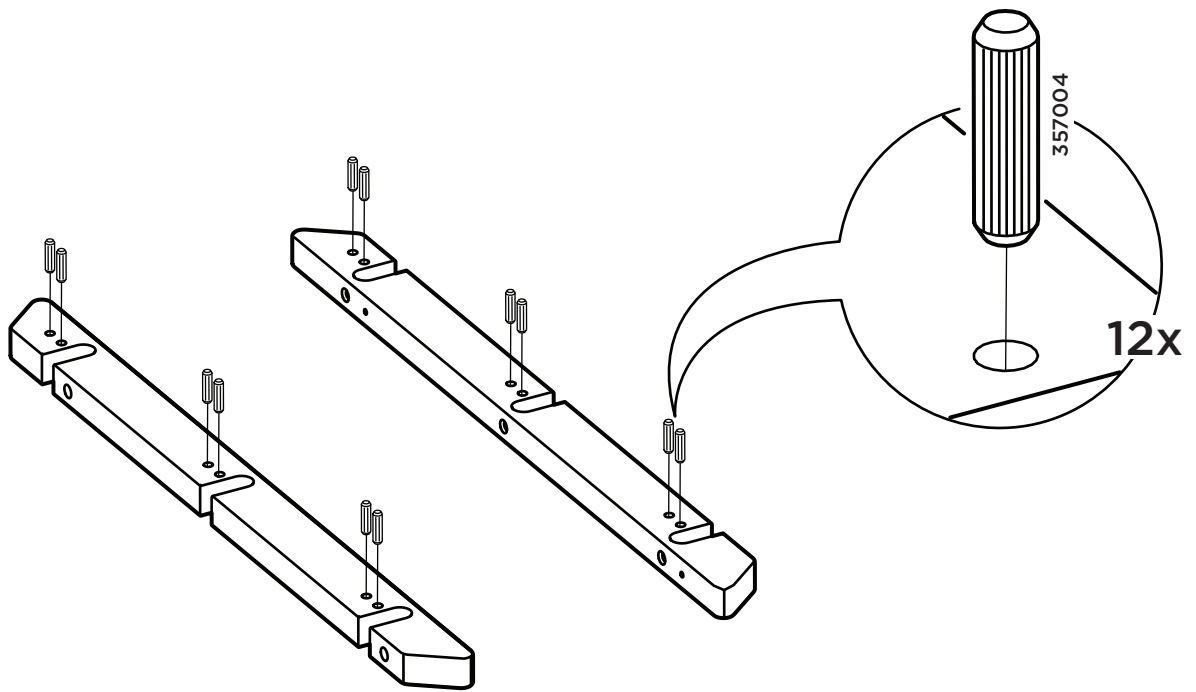
410001



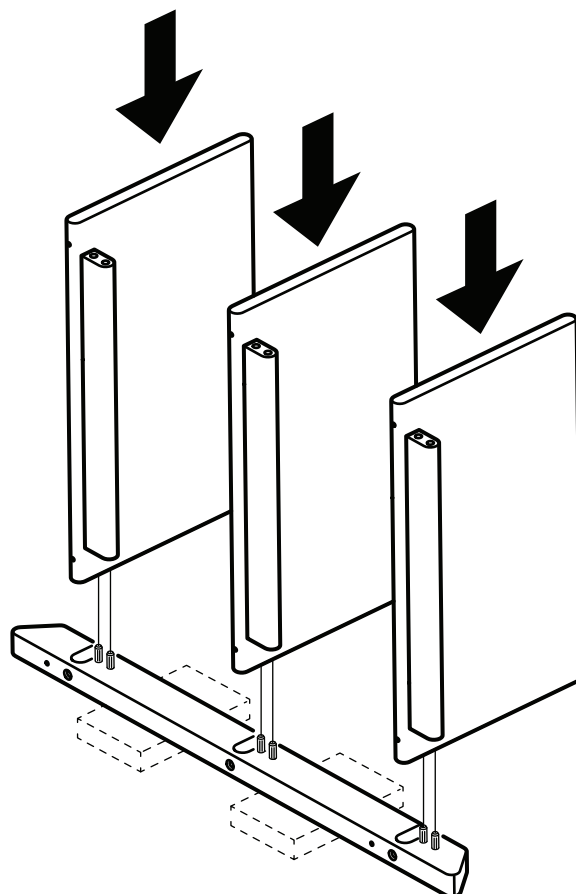
12x

357004

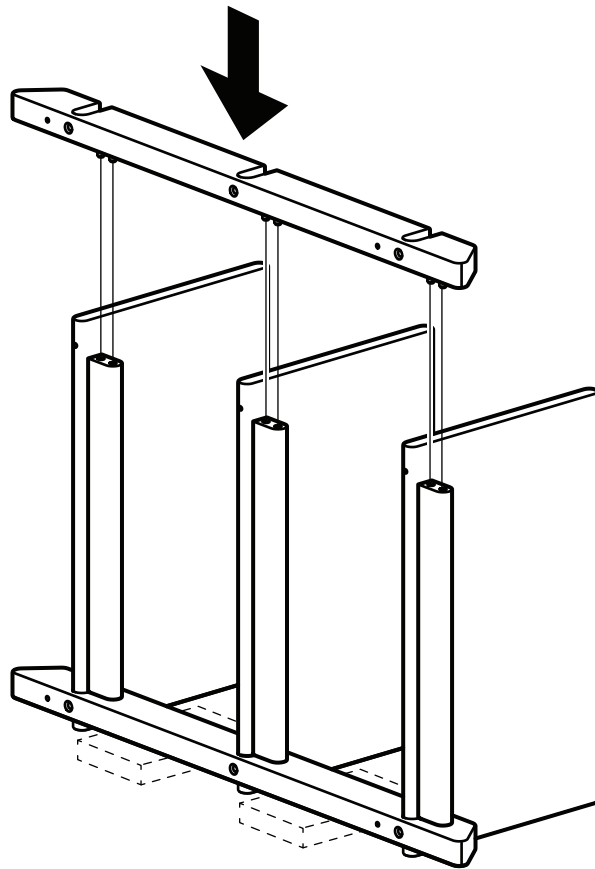
1



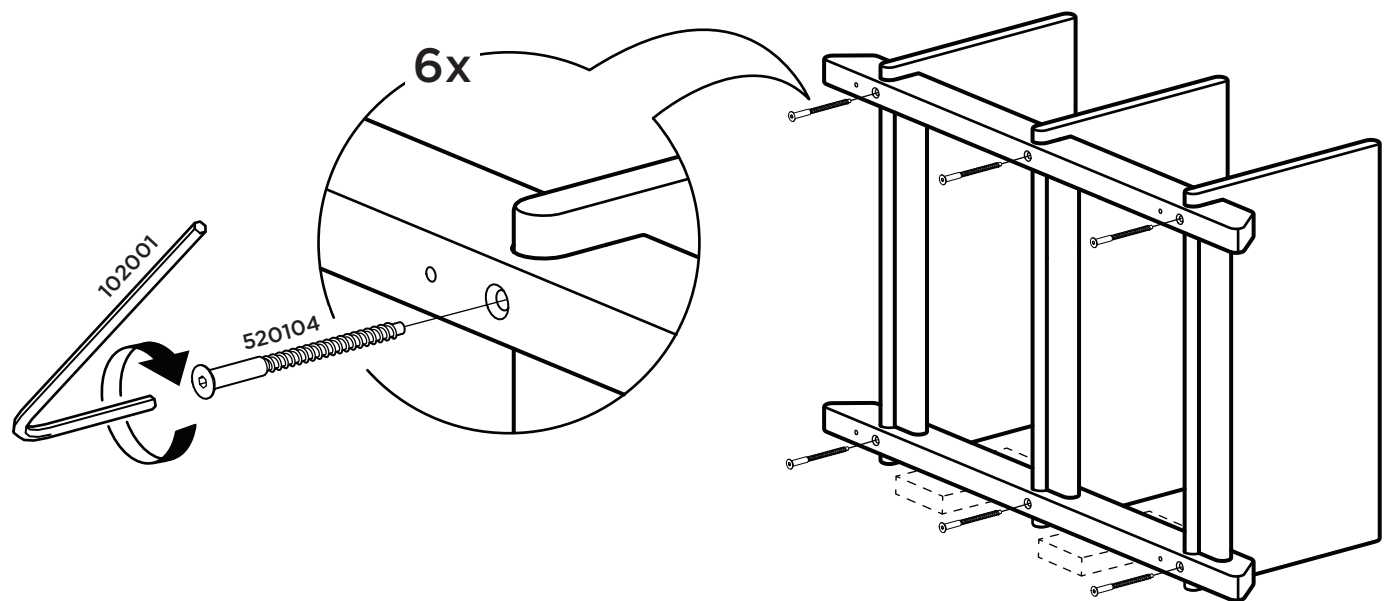
2

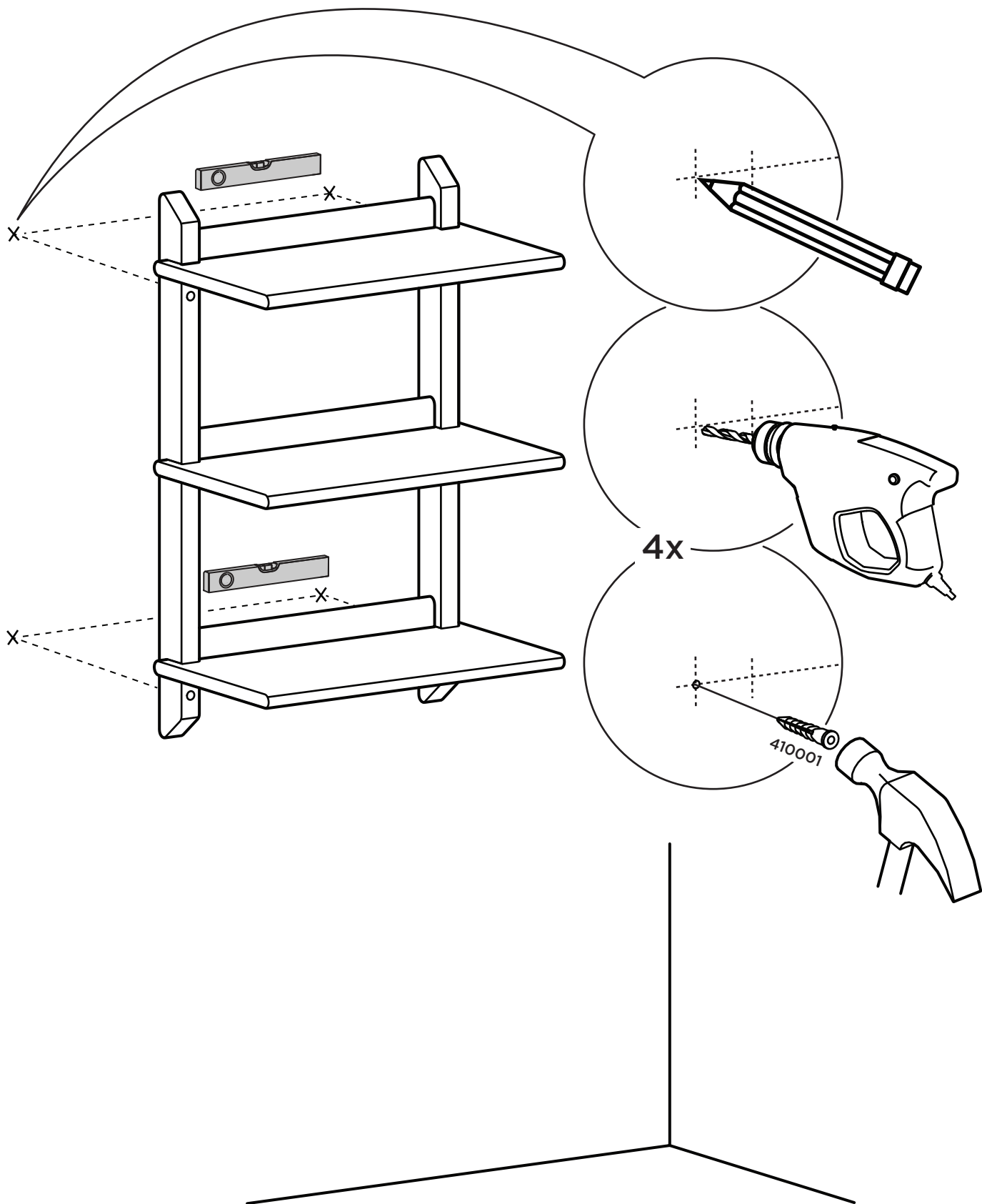


3

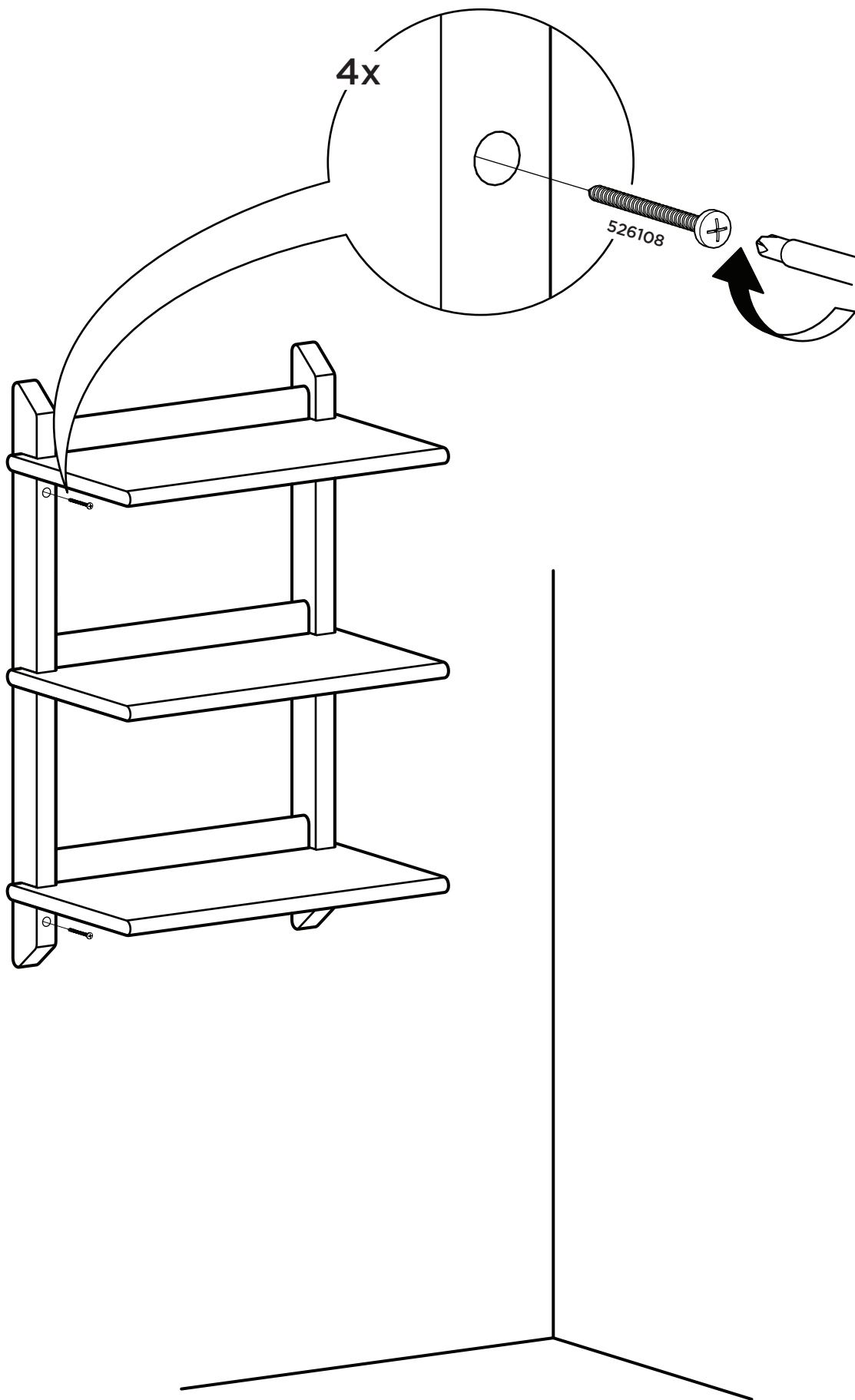


4





6



metercube