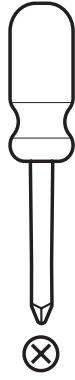


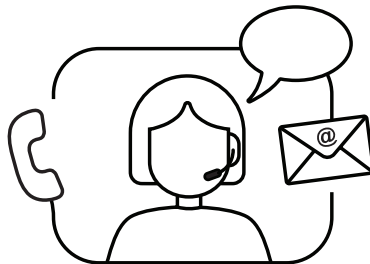
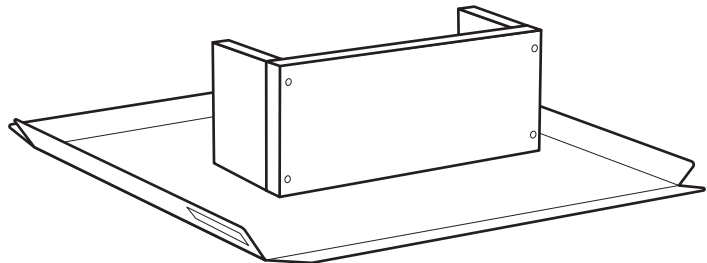
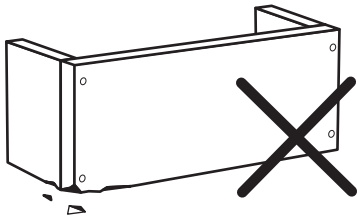
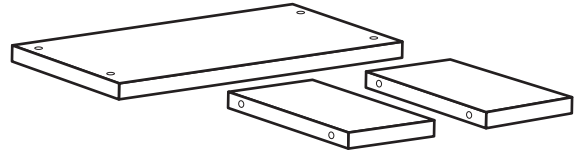
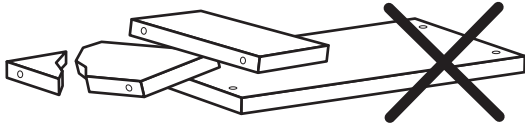
**alt**

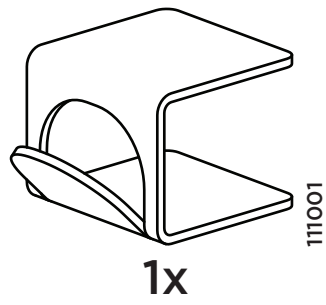
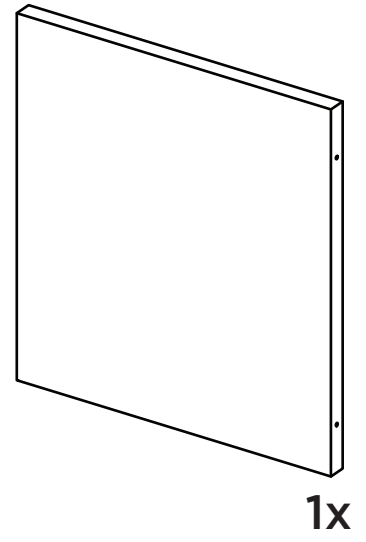
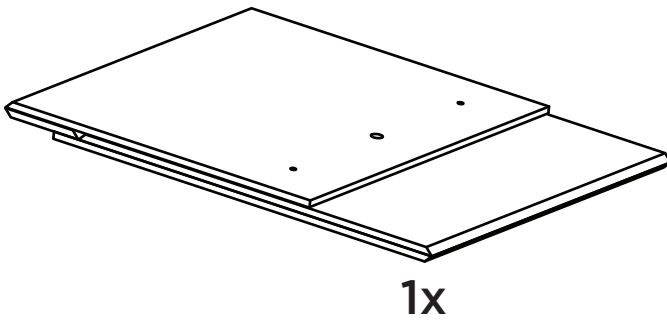
256.011.01  
256.011.02  
256.011.03

metercube

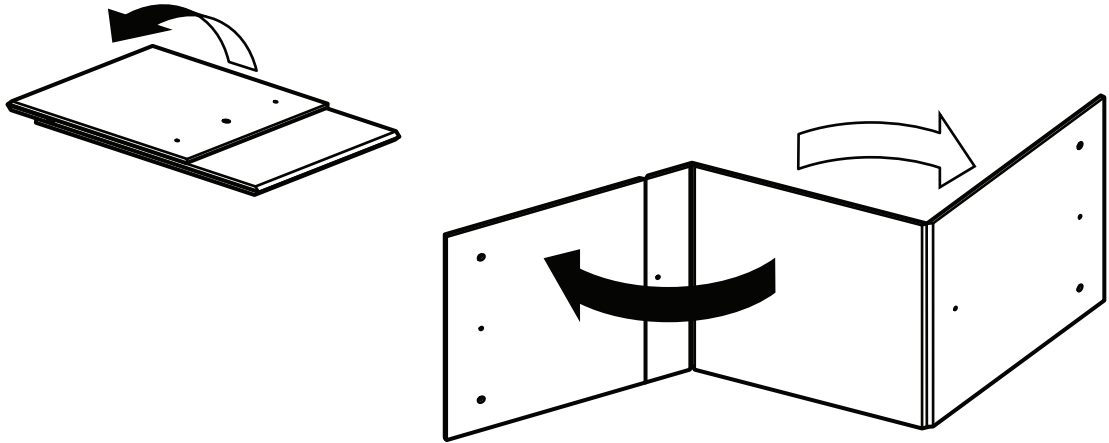


1x

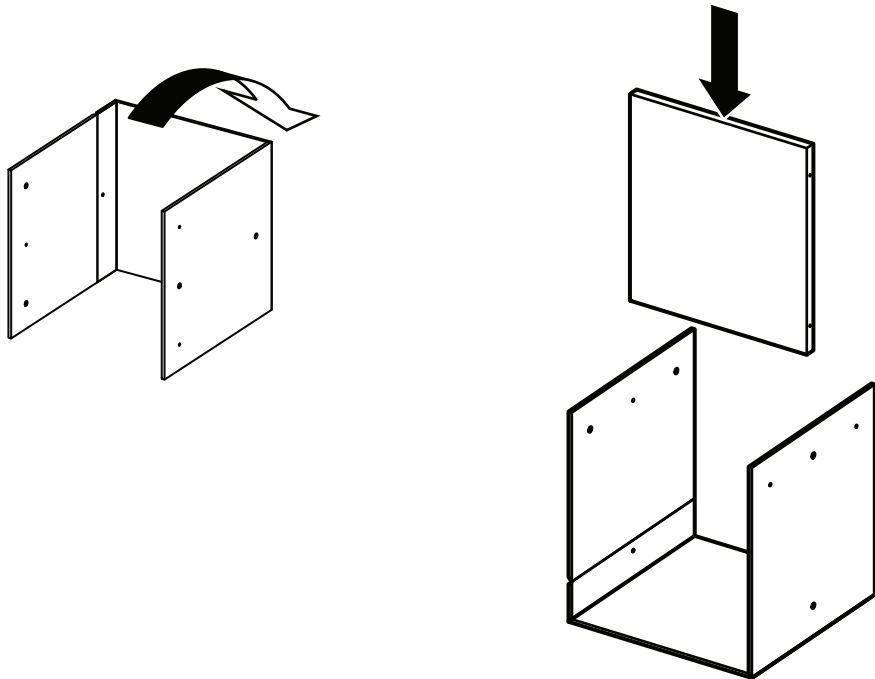




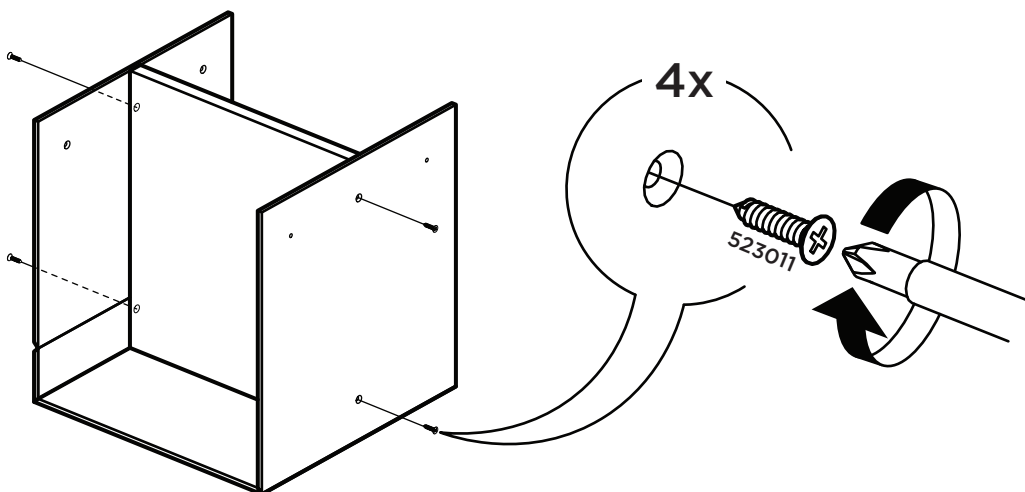
1

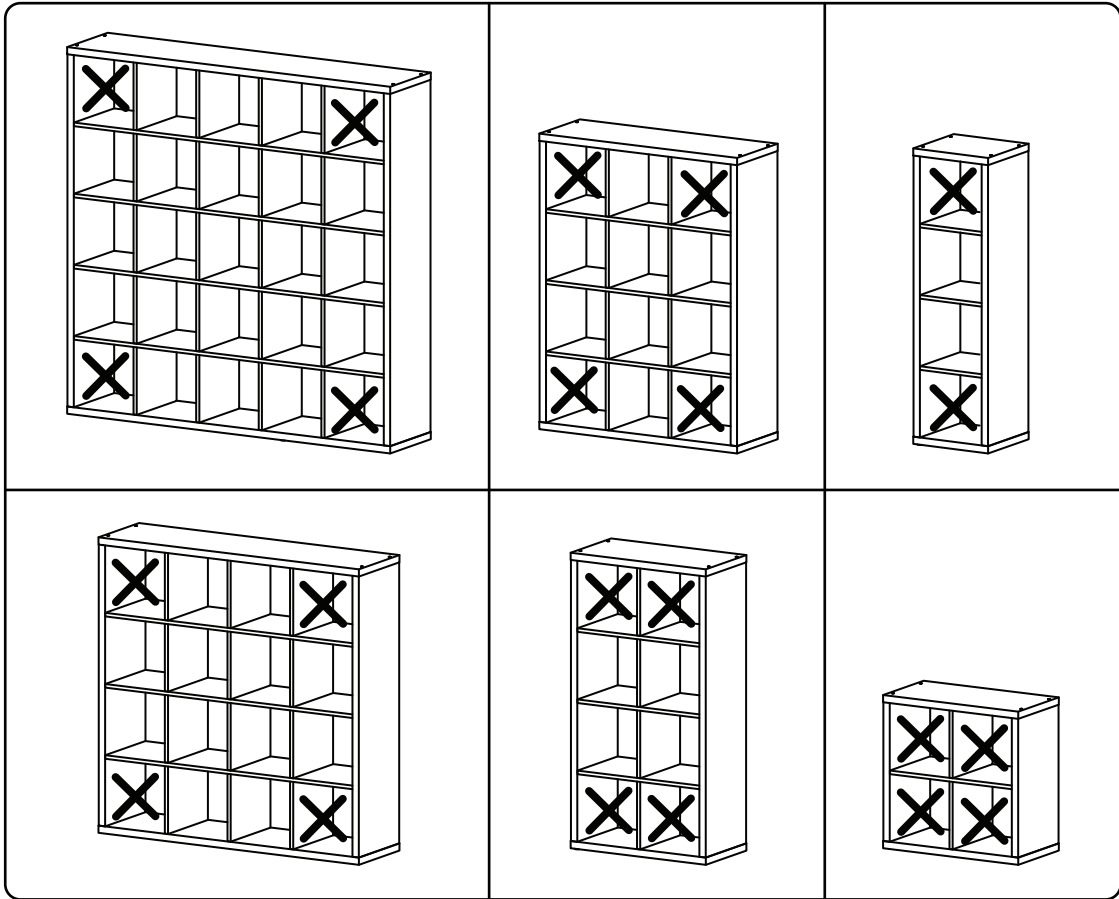


2

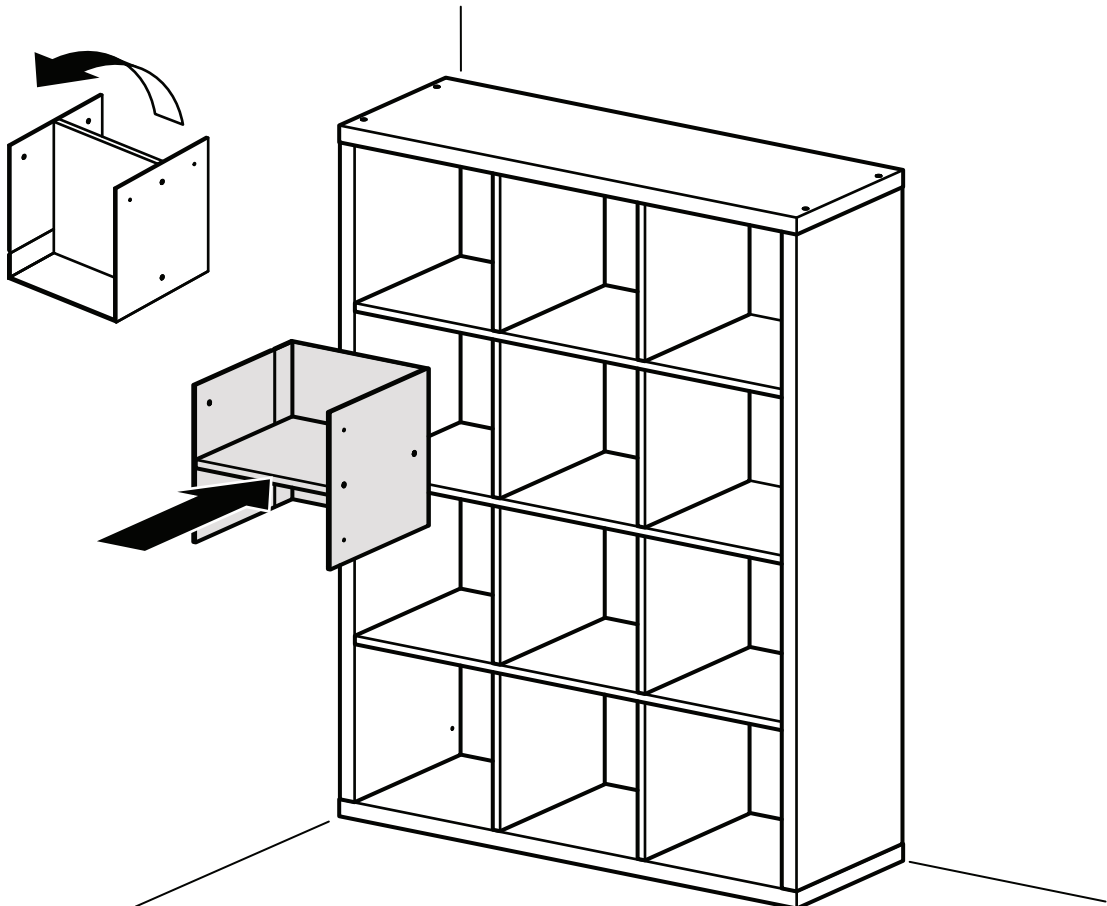


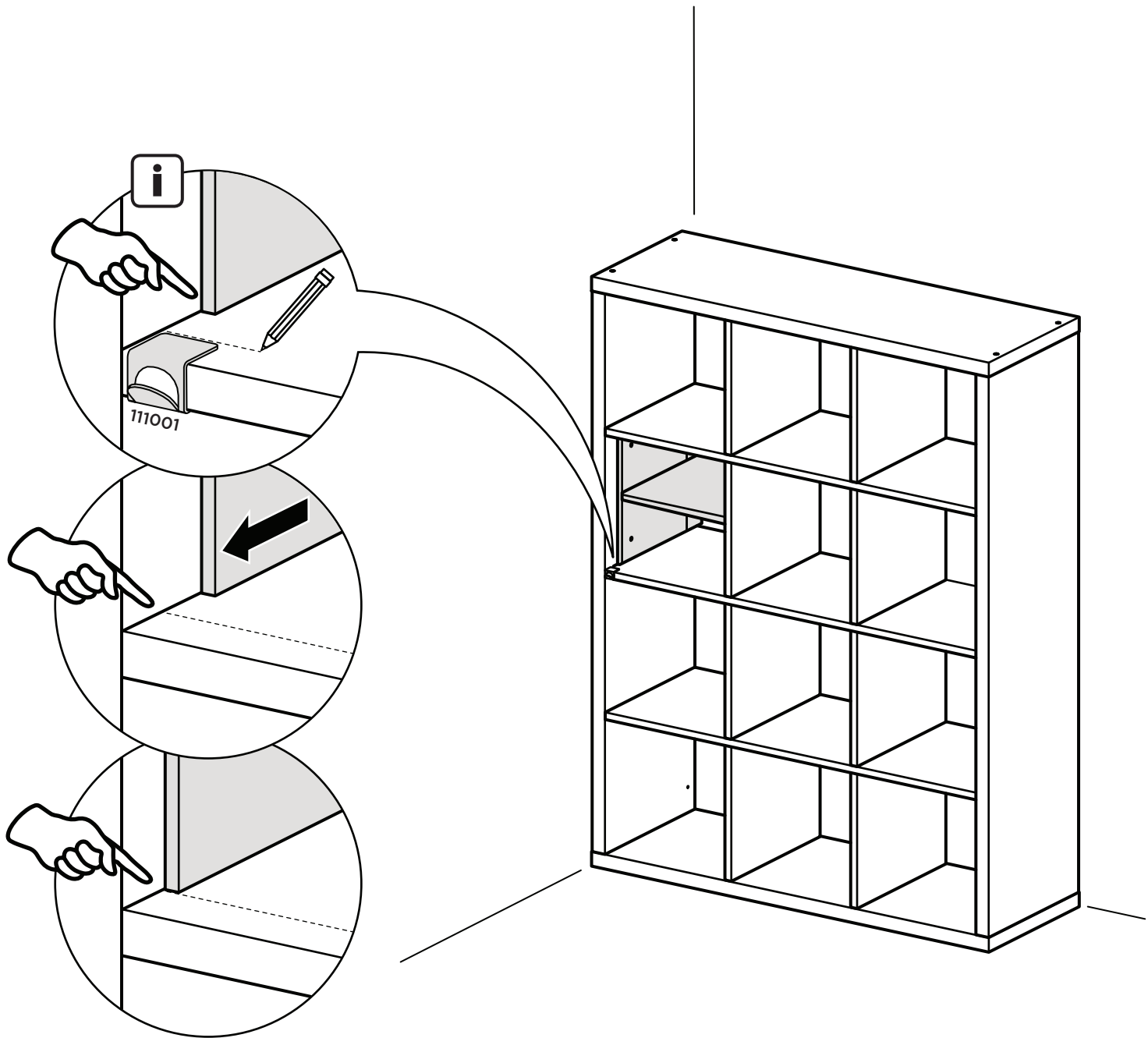
3



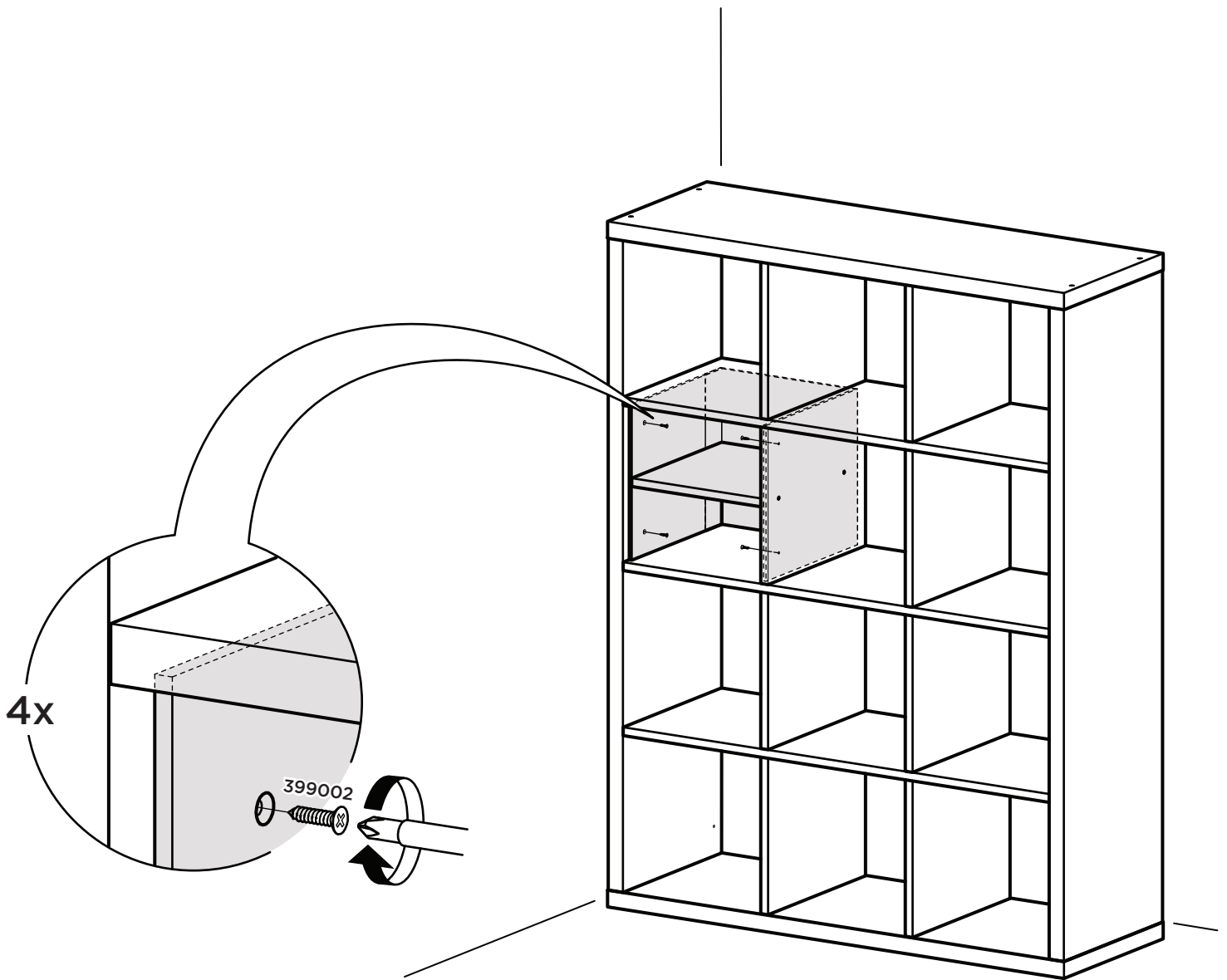


4





6



**metercube**