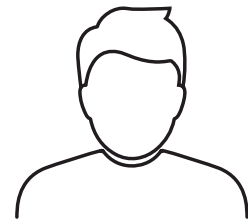
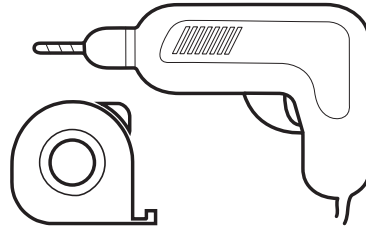
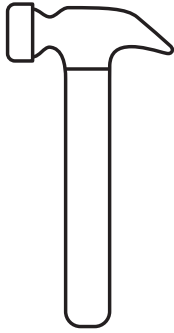
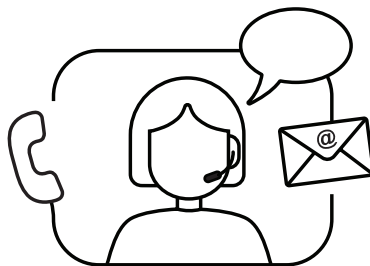
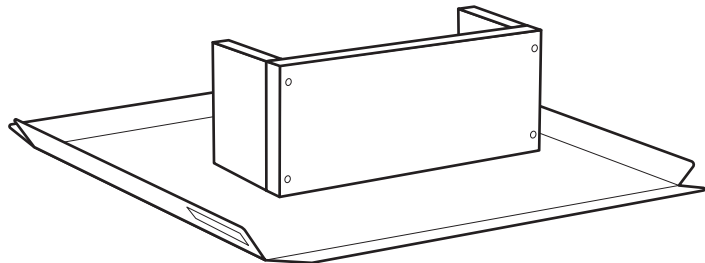
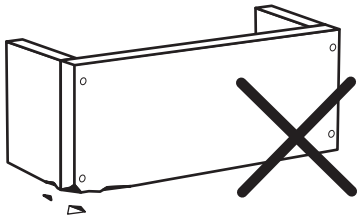
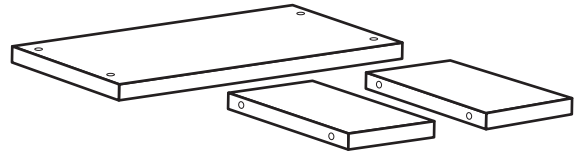
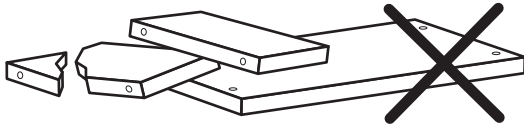


# scarla

257.004.01  
257.004.02  
257.004.03

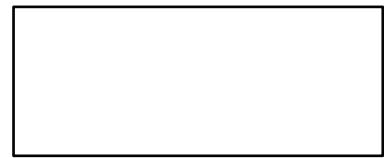


2x

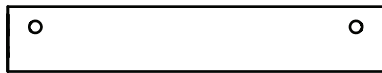




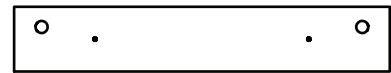
2x



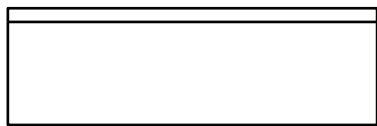
4x



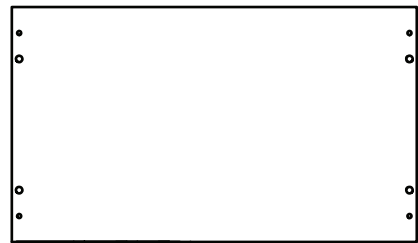
1x



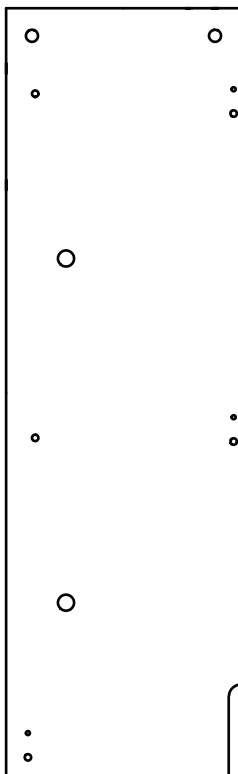
2x



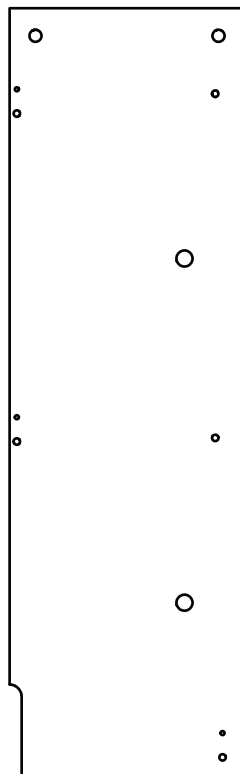
2x



1x



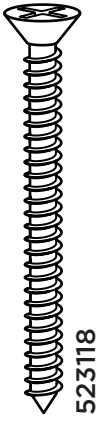
1x



1x



2x



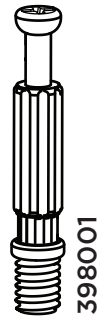
523118

4x



410001

4x



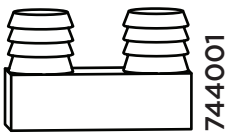
398001

10x



357004

10x



744001

4x



399002

10x



526011

12x



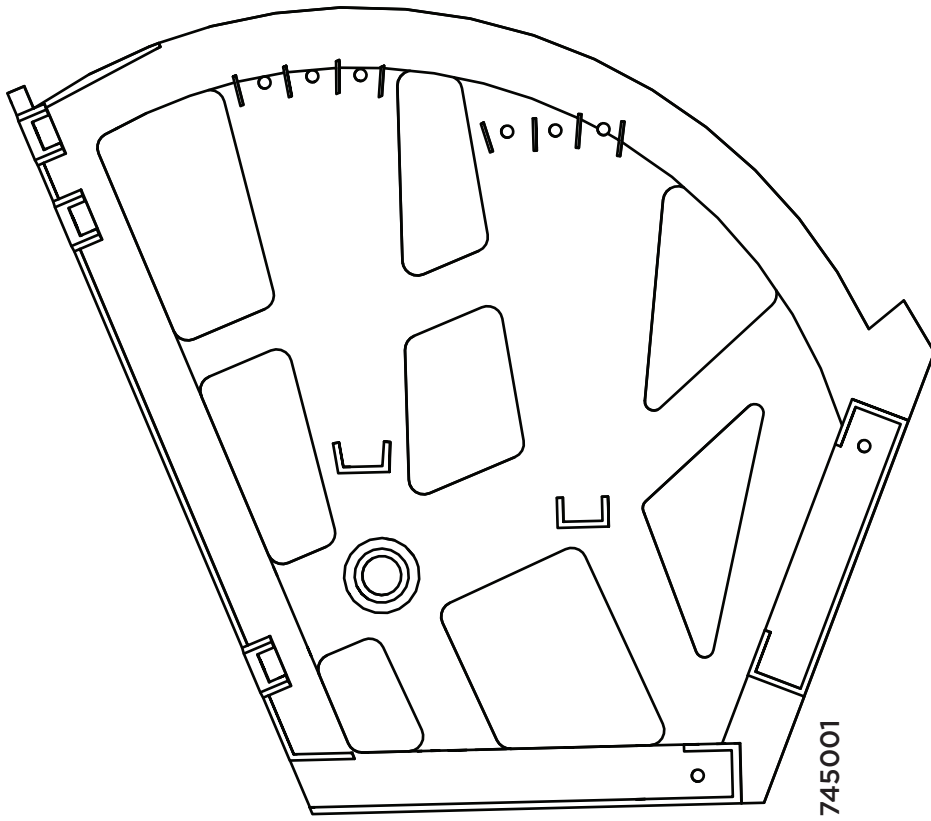
523021

20x



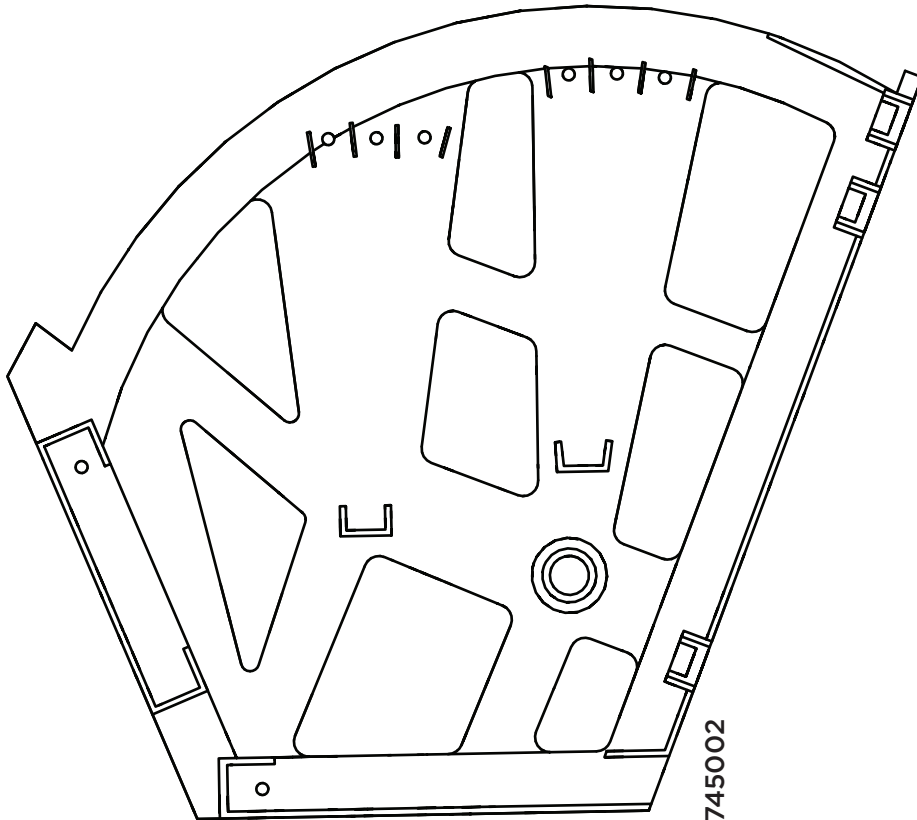
743001

4x



2x

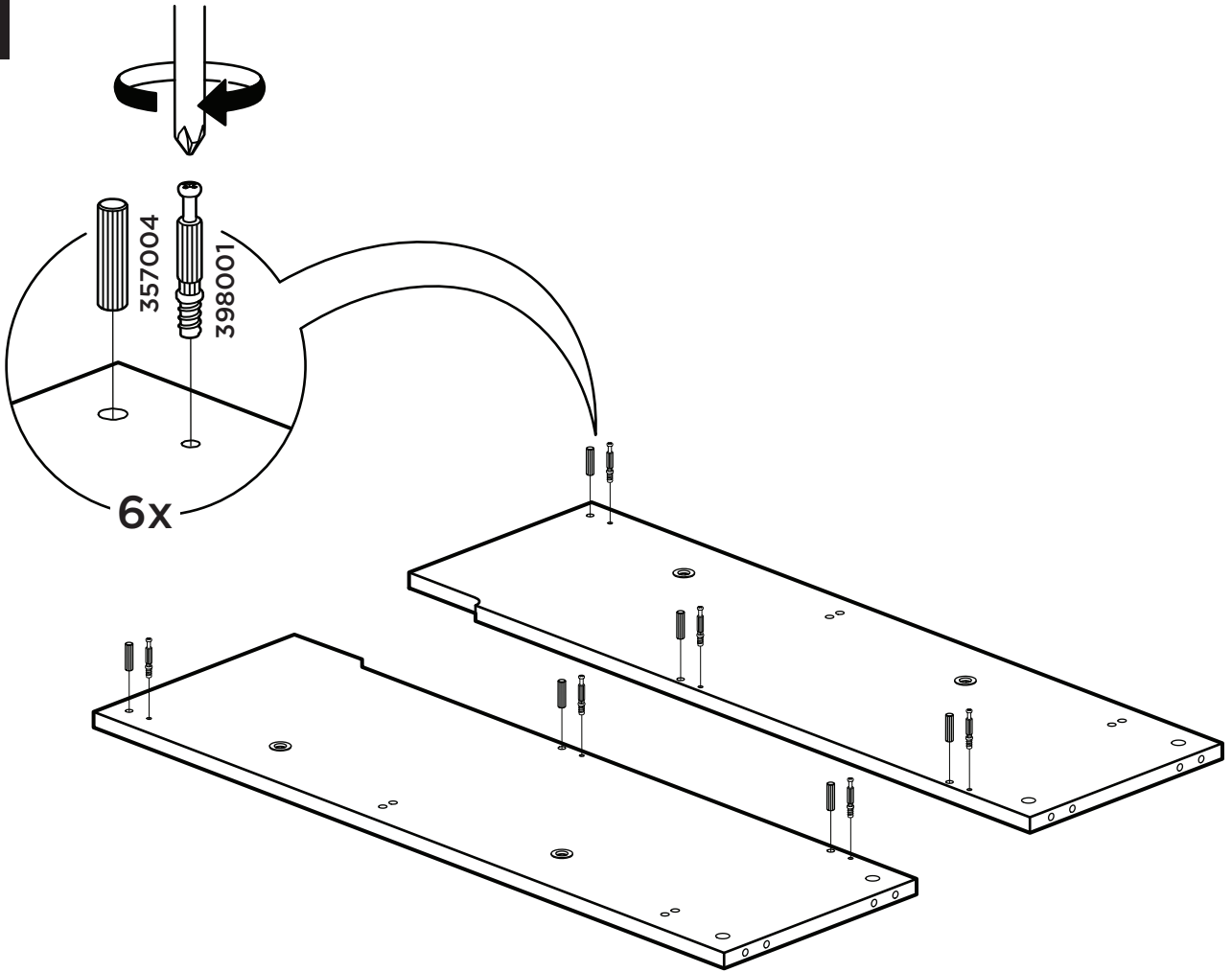
745001



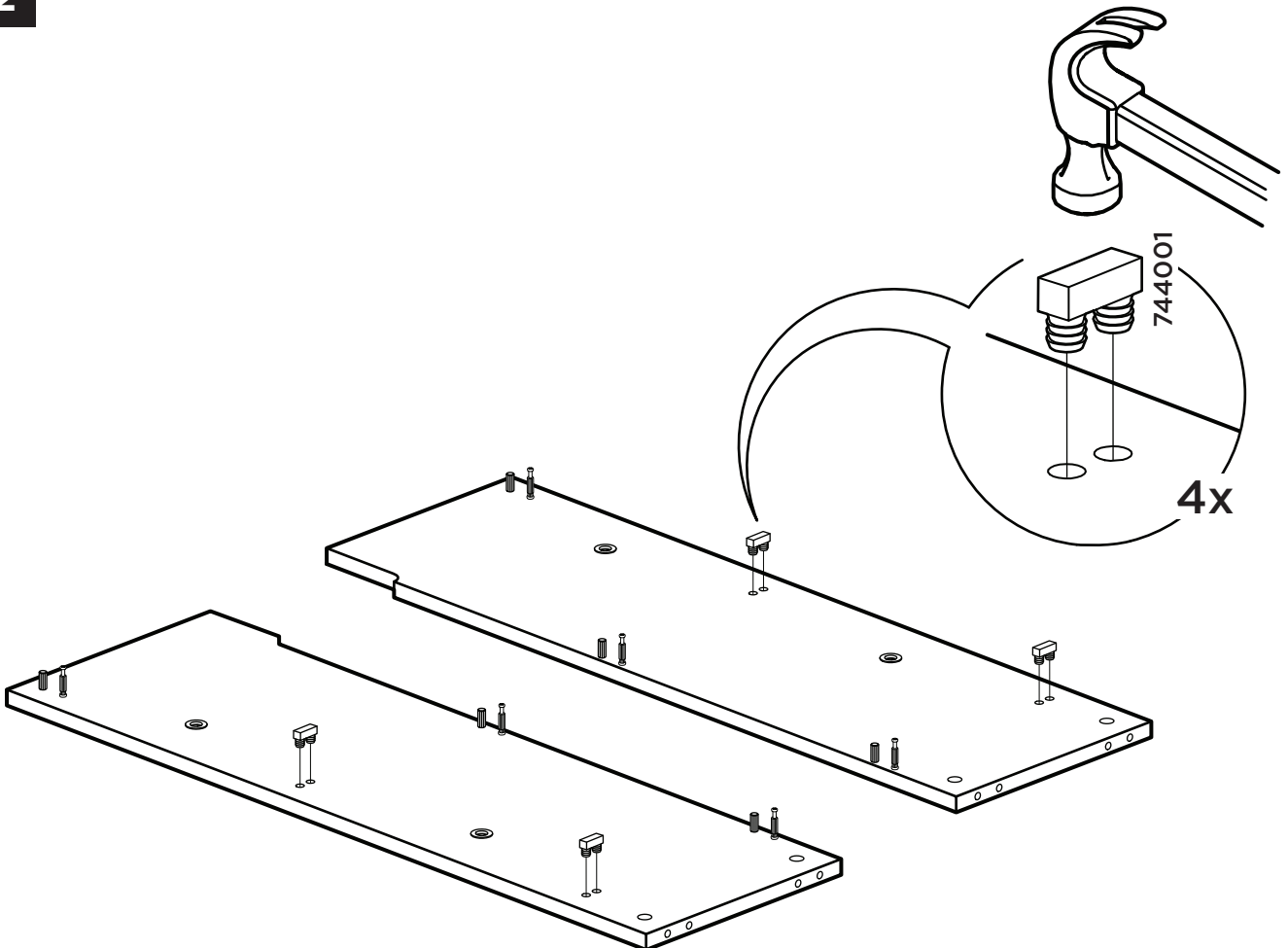
2x

745002

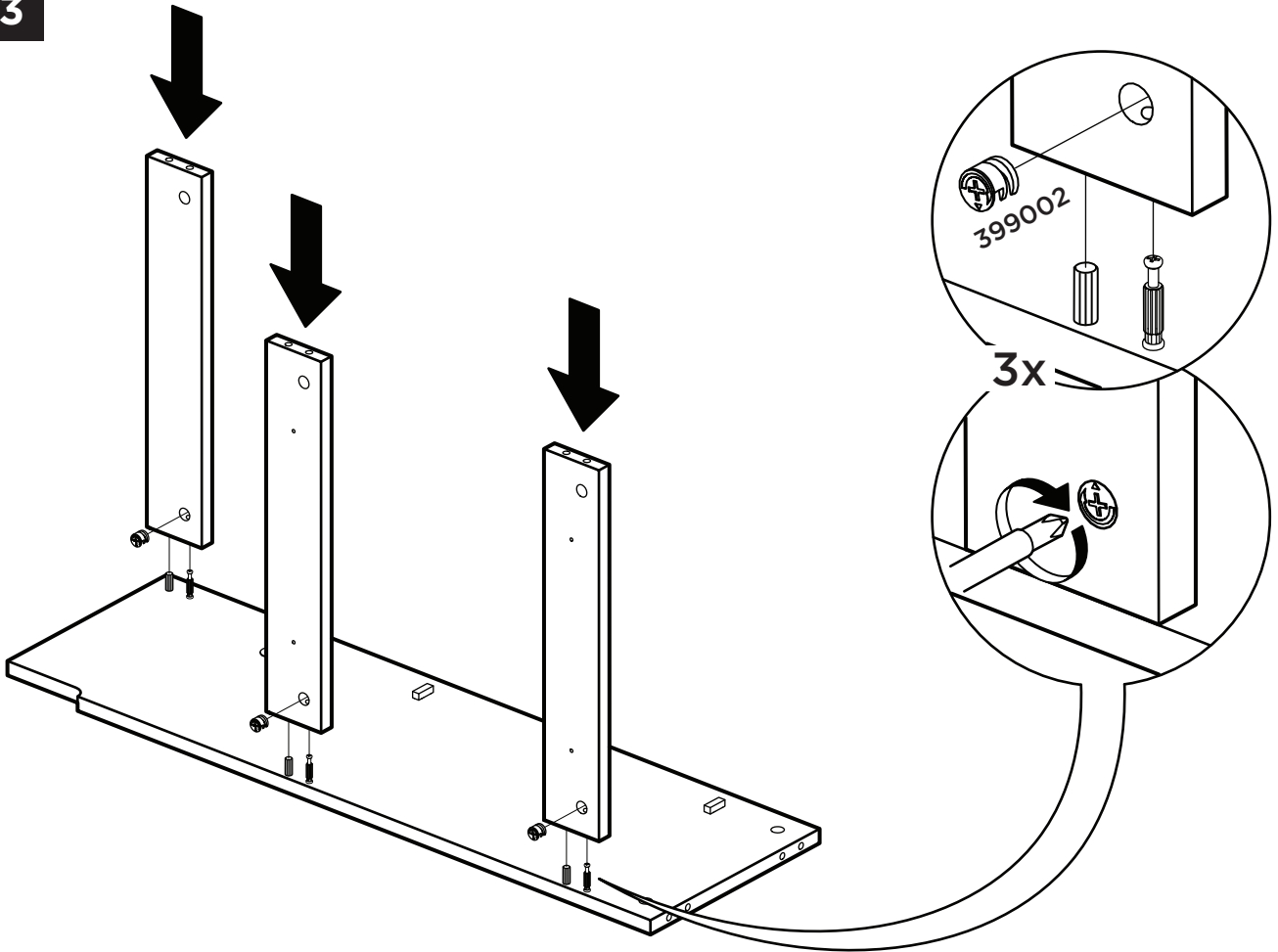
1



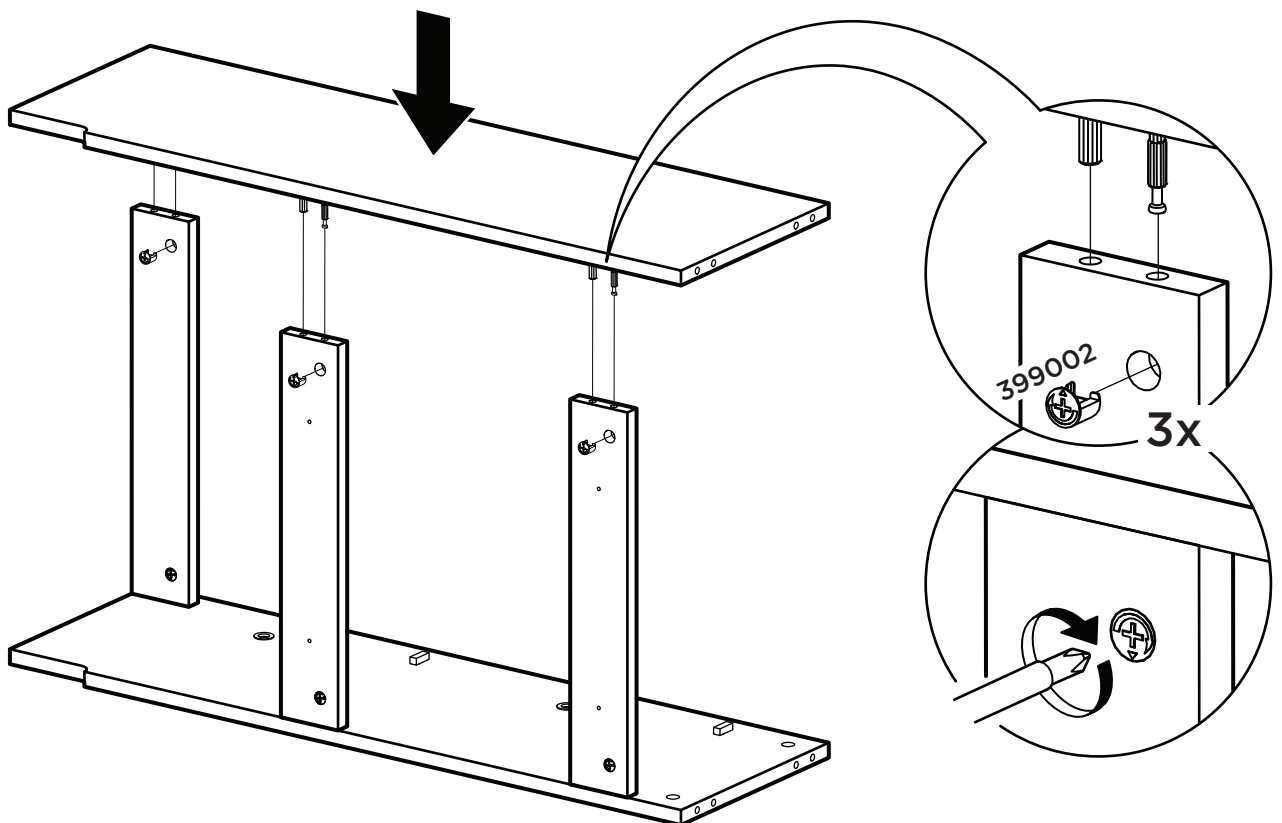
2



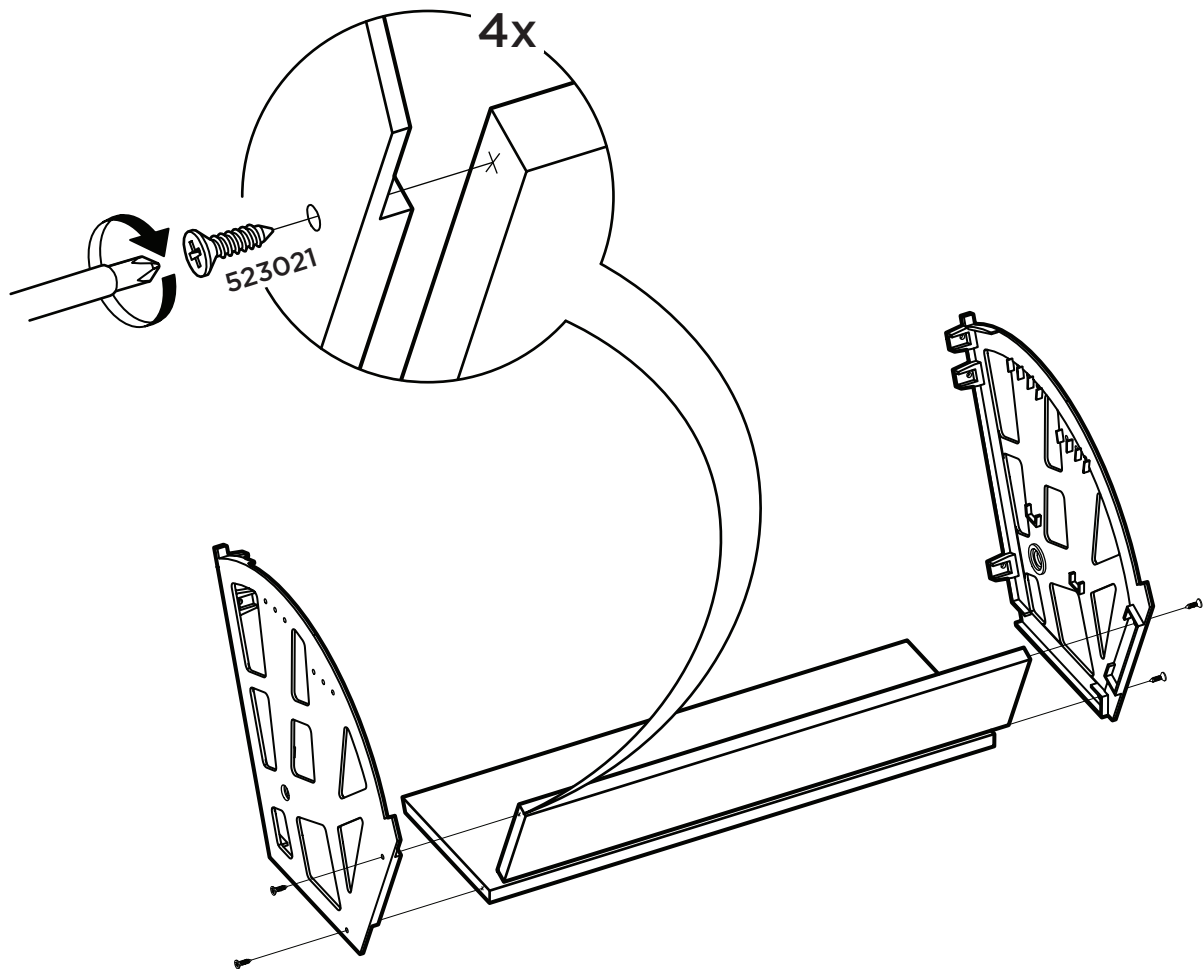
3



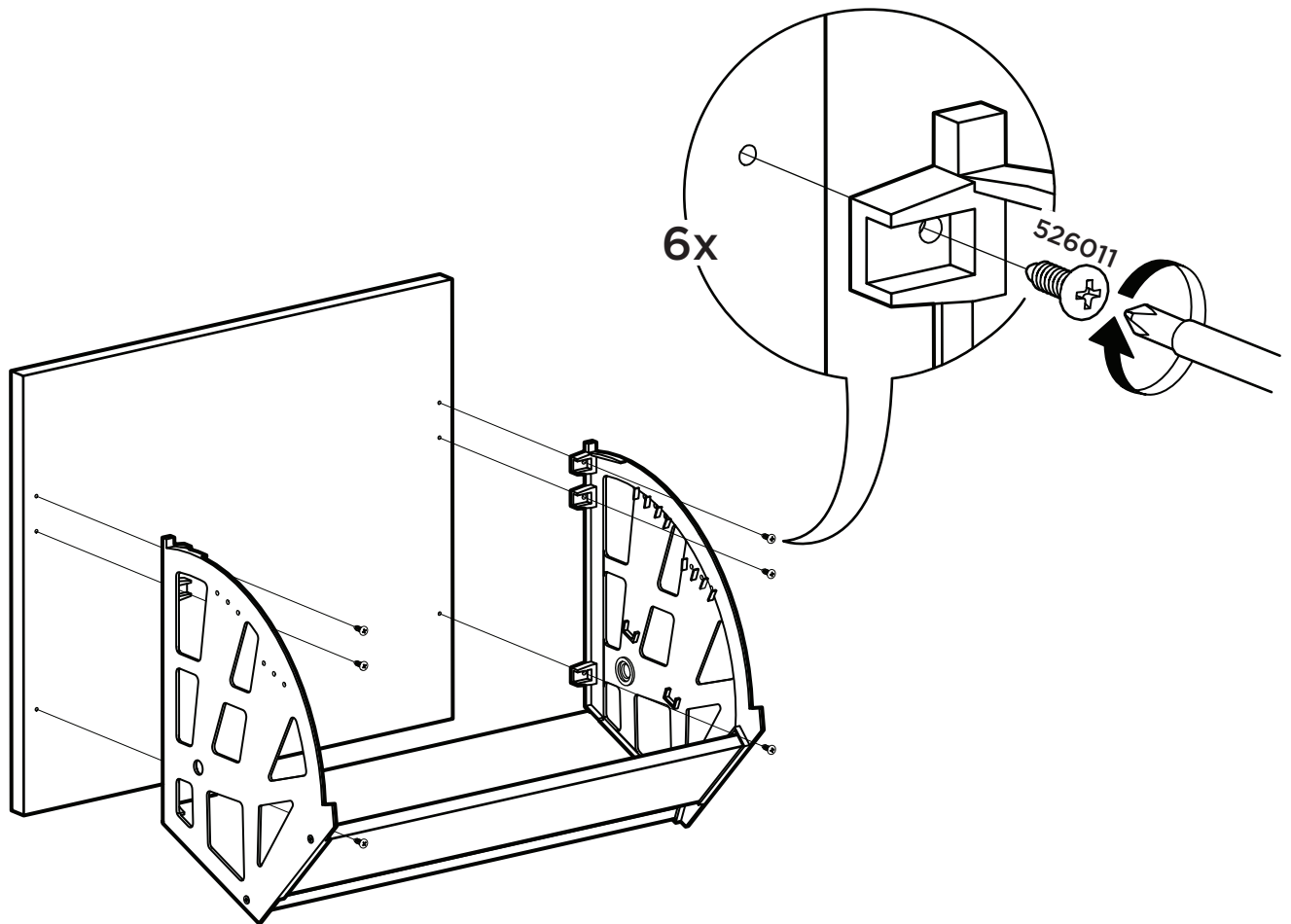
4



5

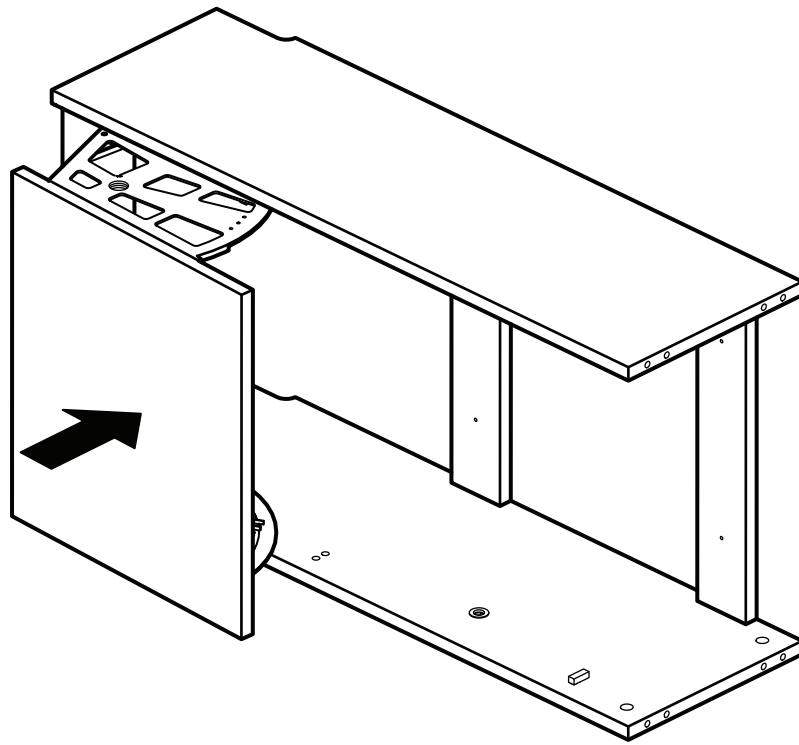


6

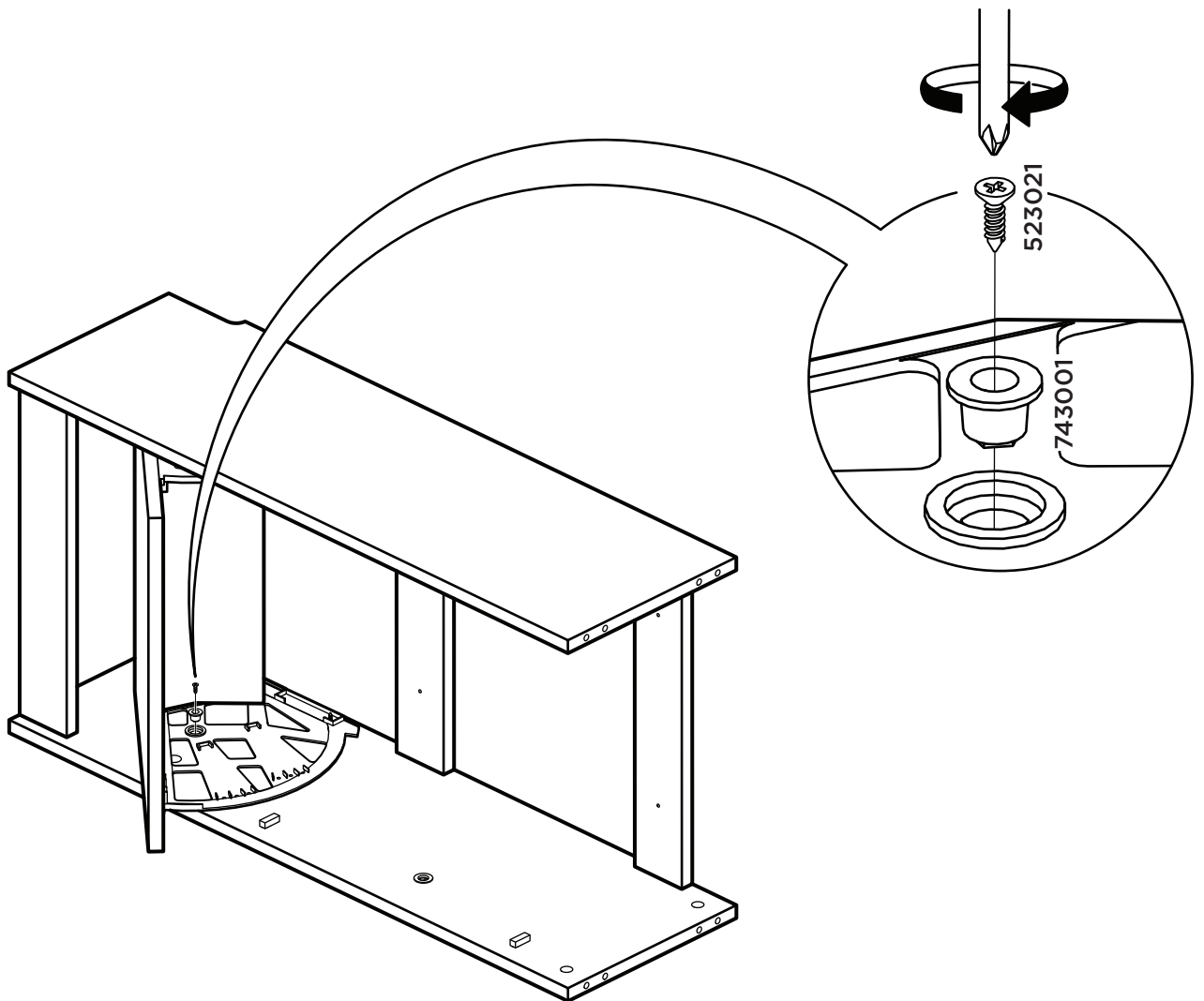




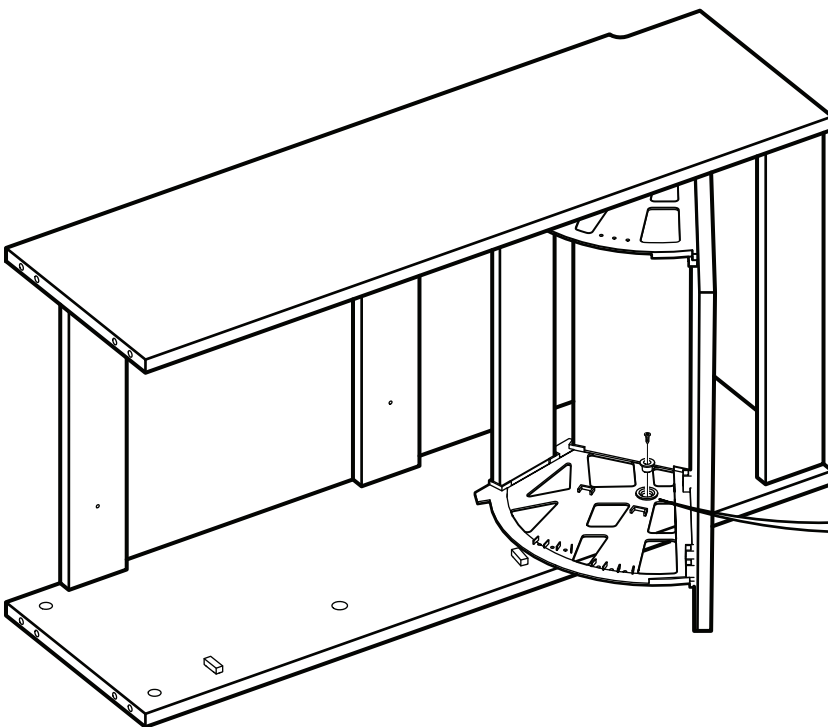
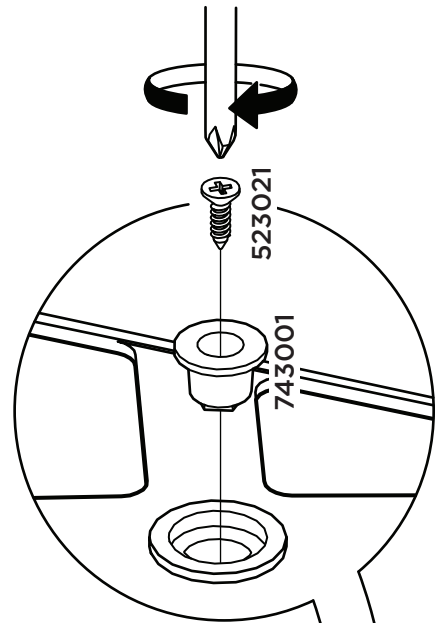
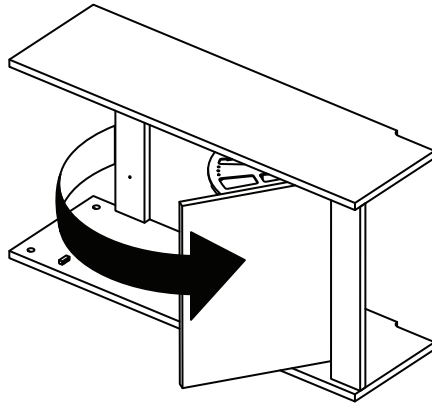
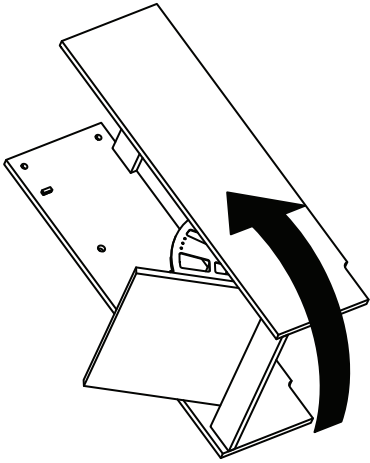
7



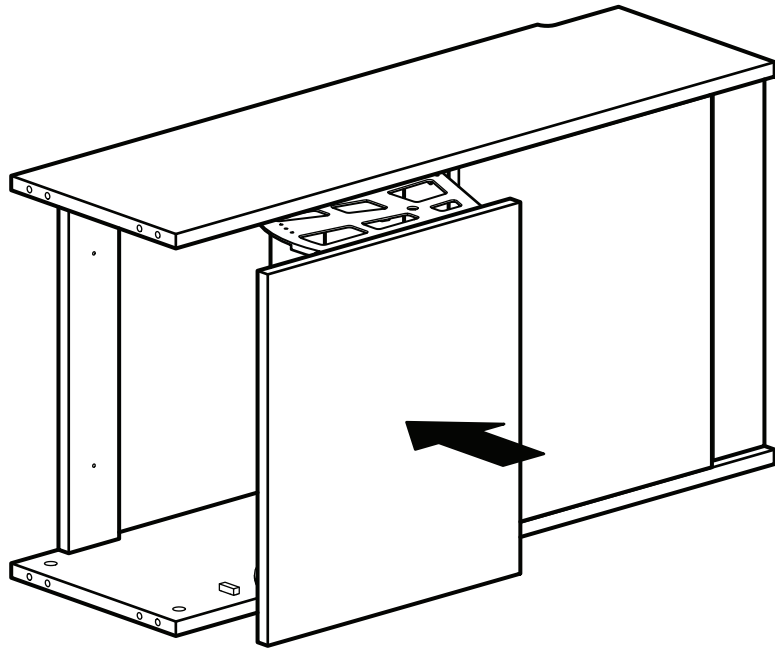
8



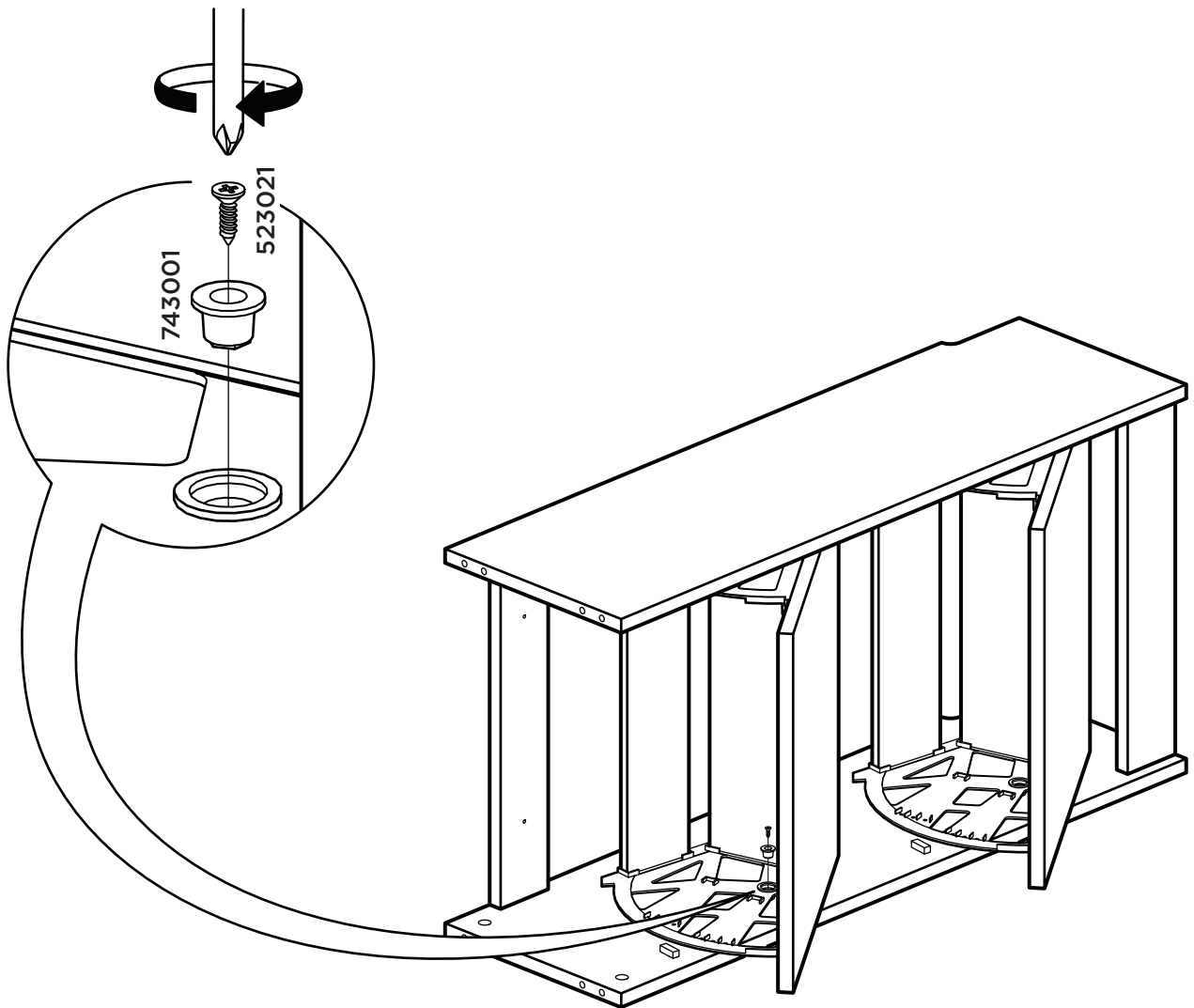
9

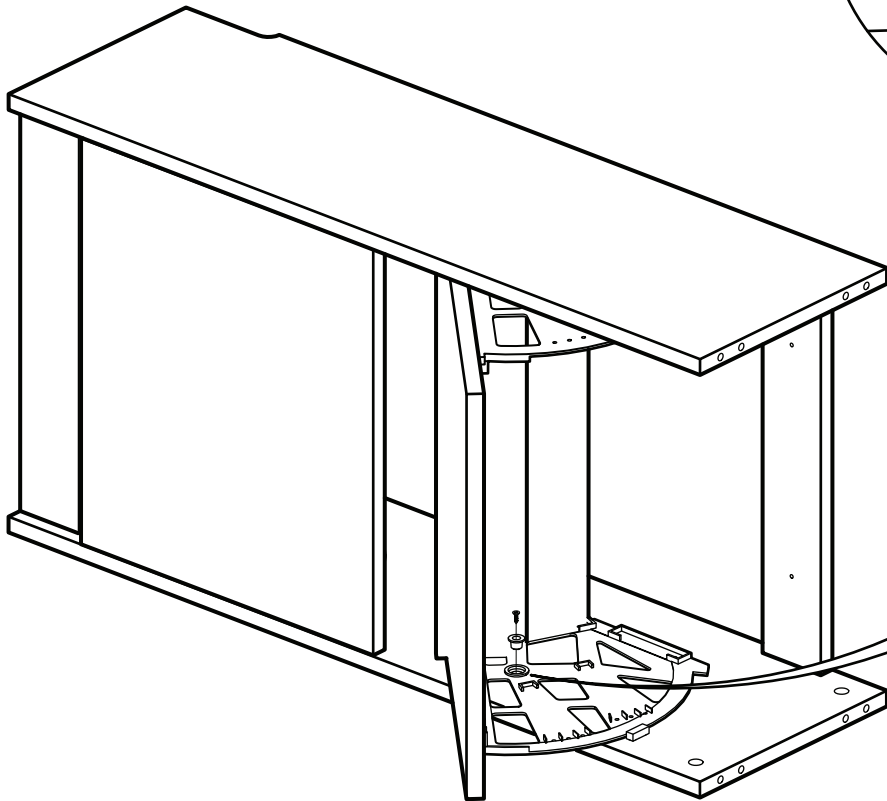
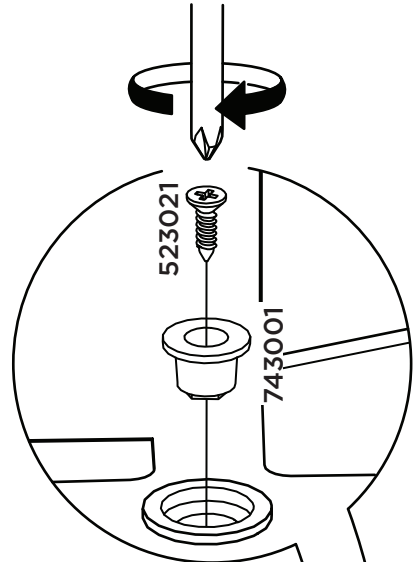
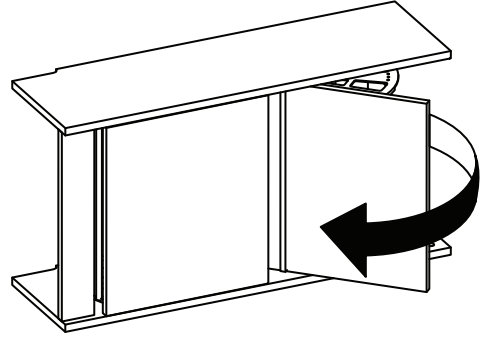
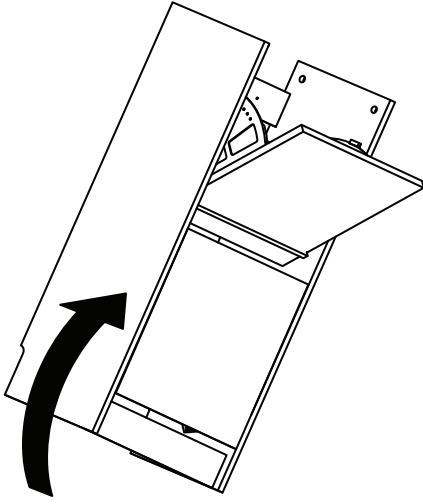


10

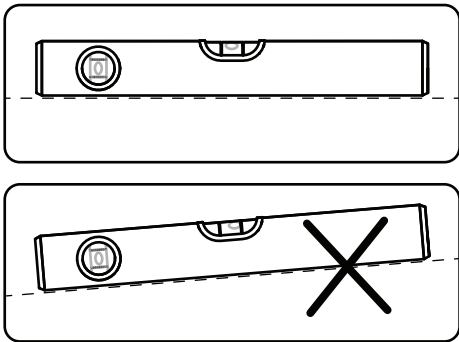


11

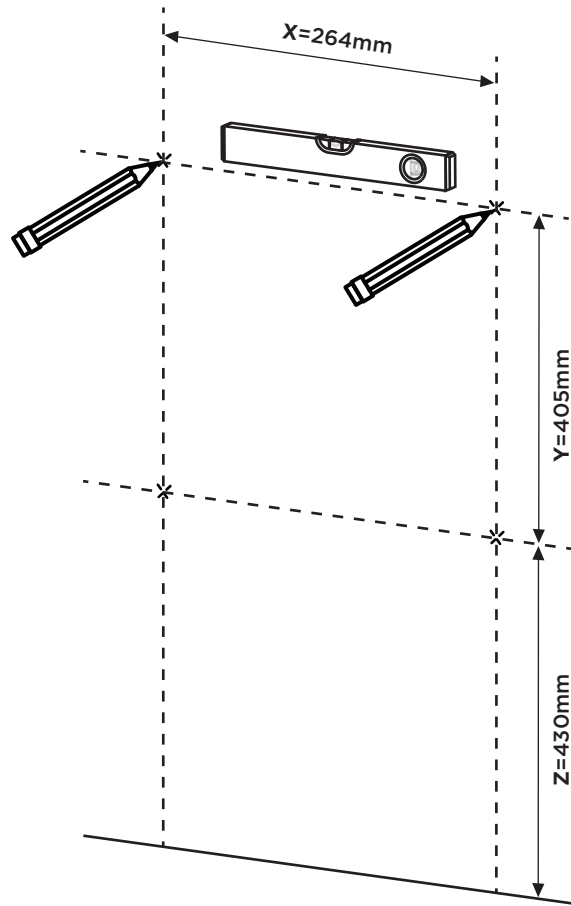




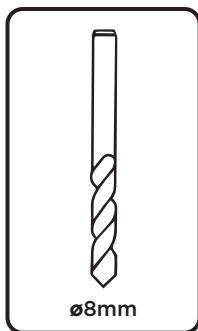
13



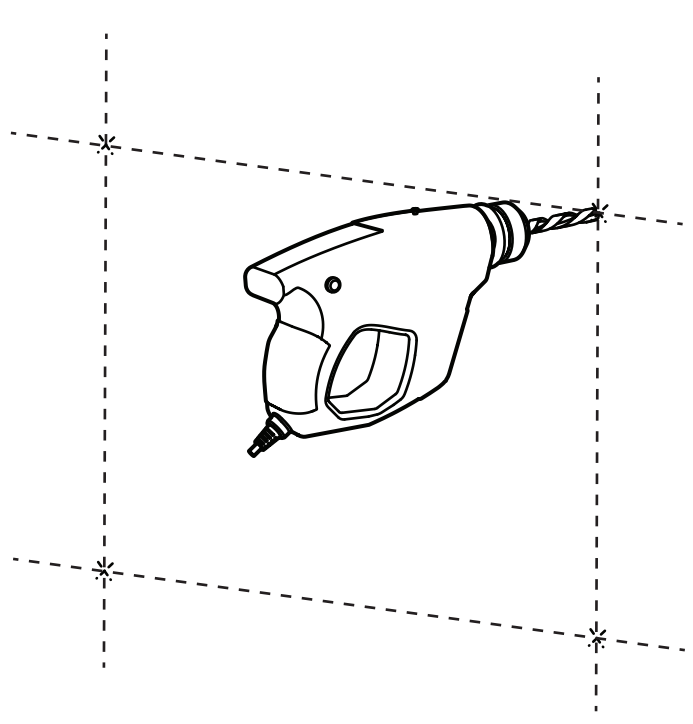
4x



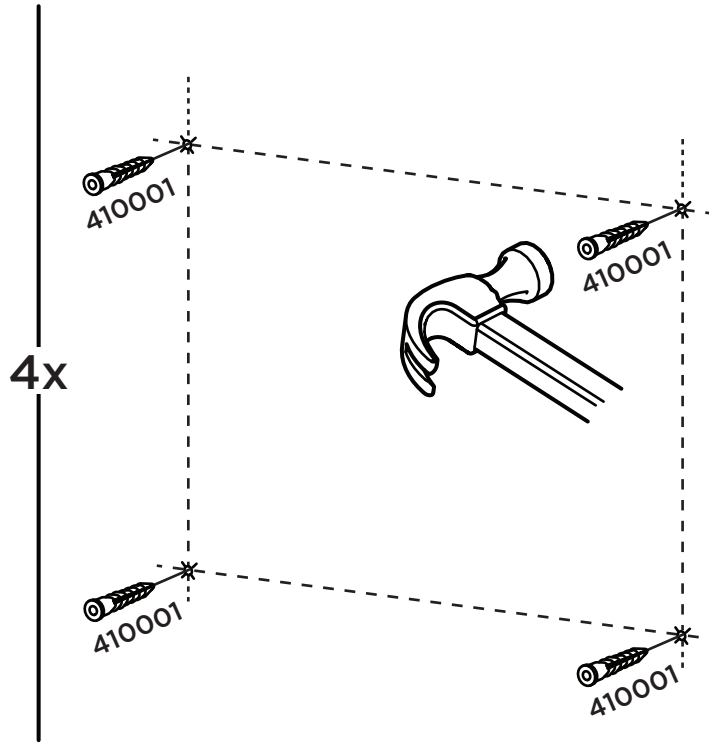
14



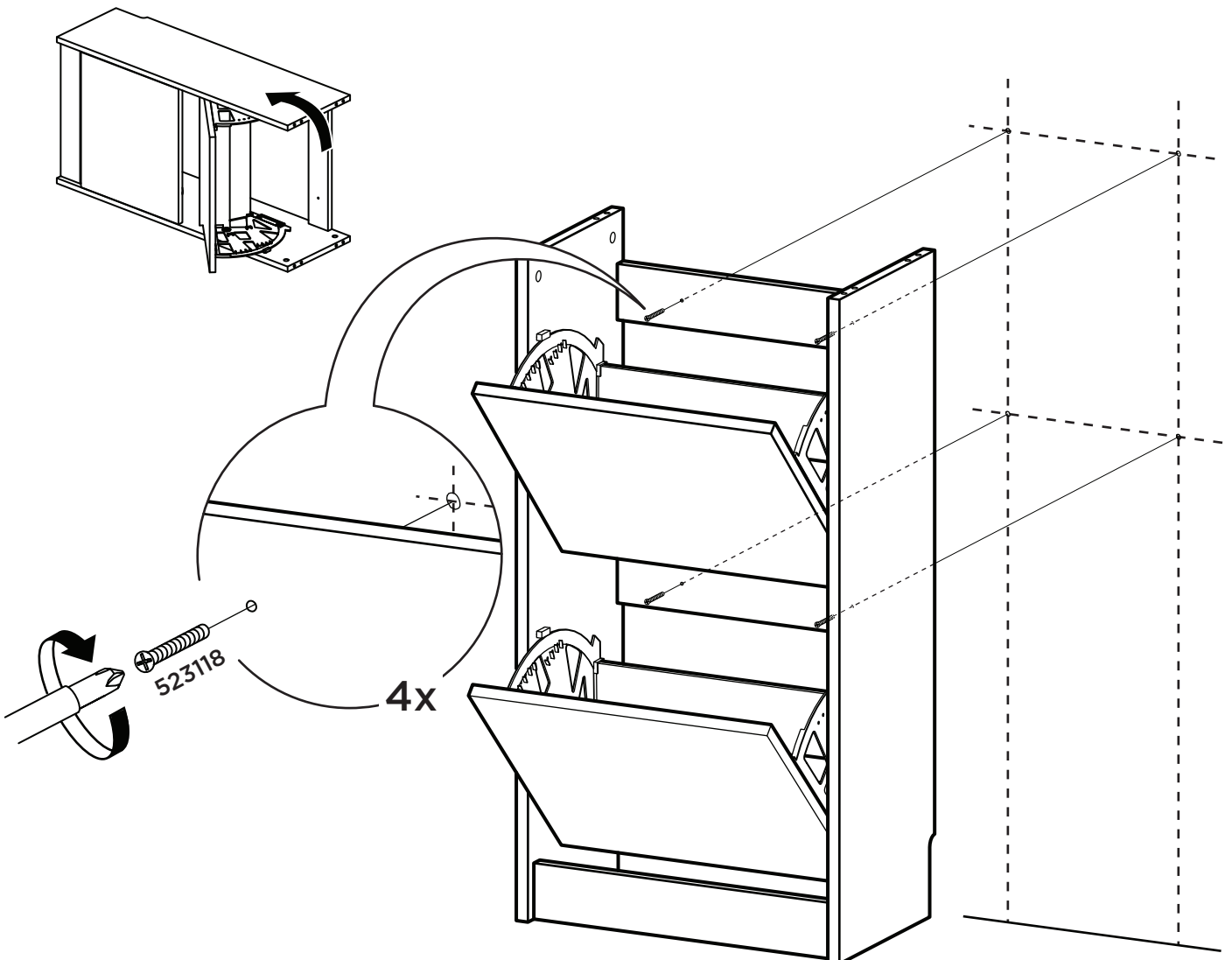
4x



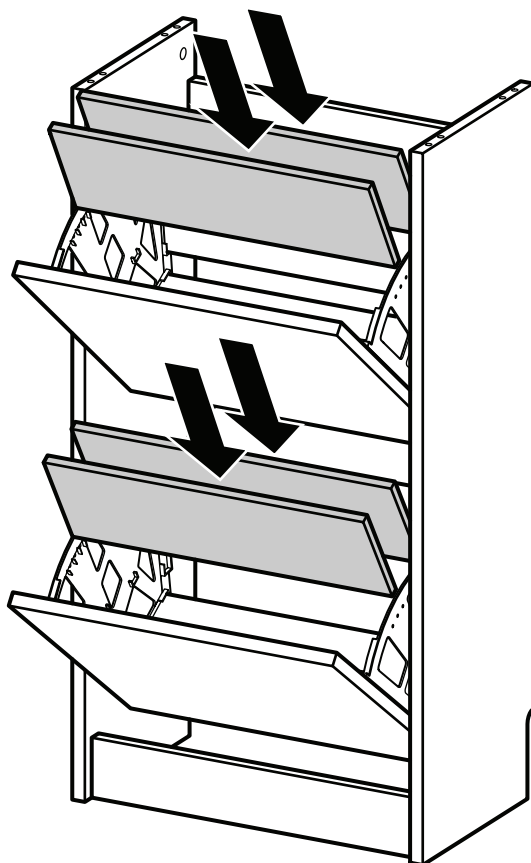
15



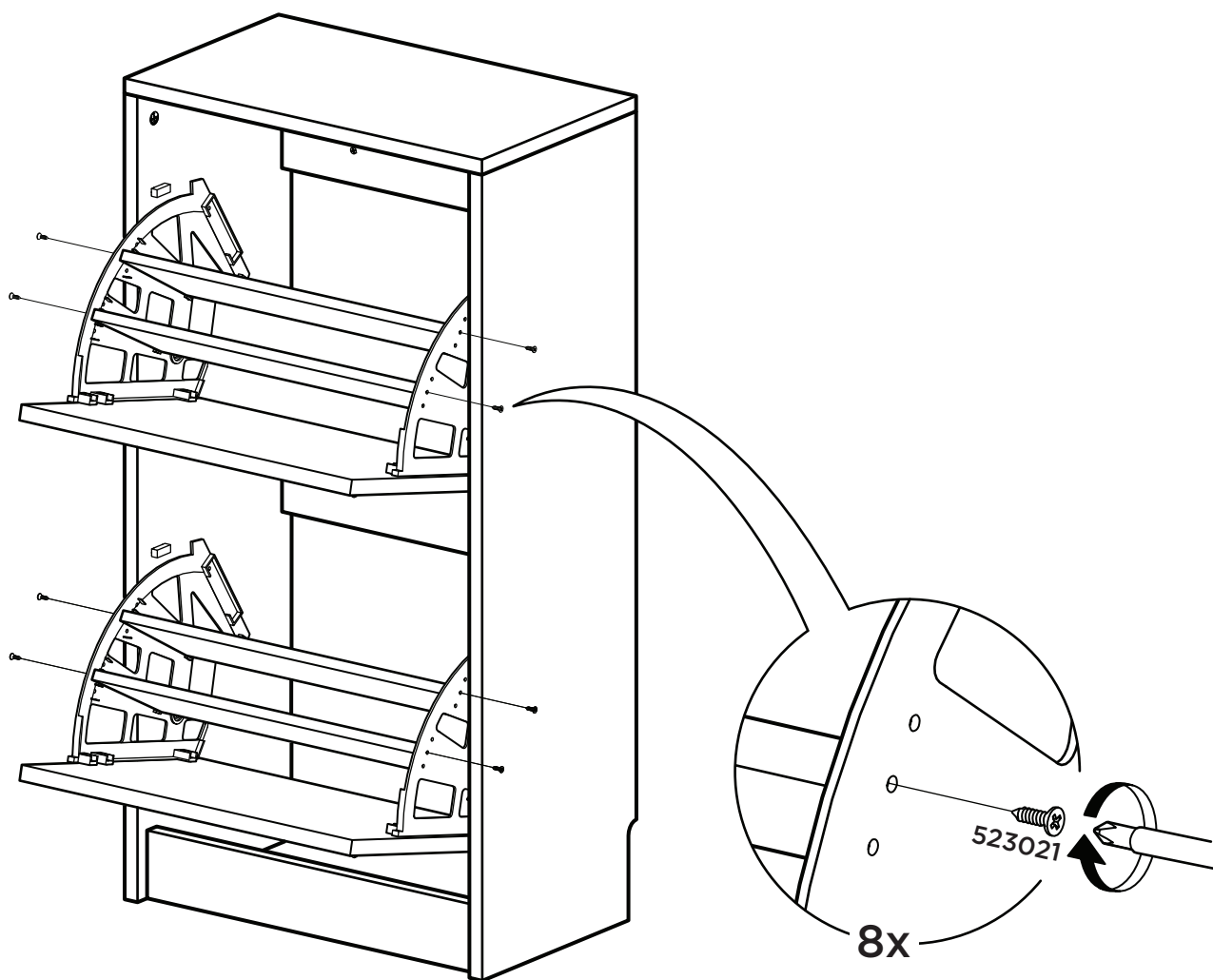
16



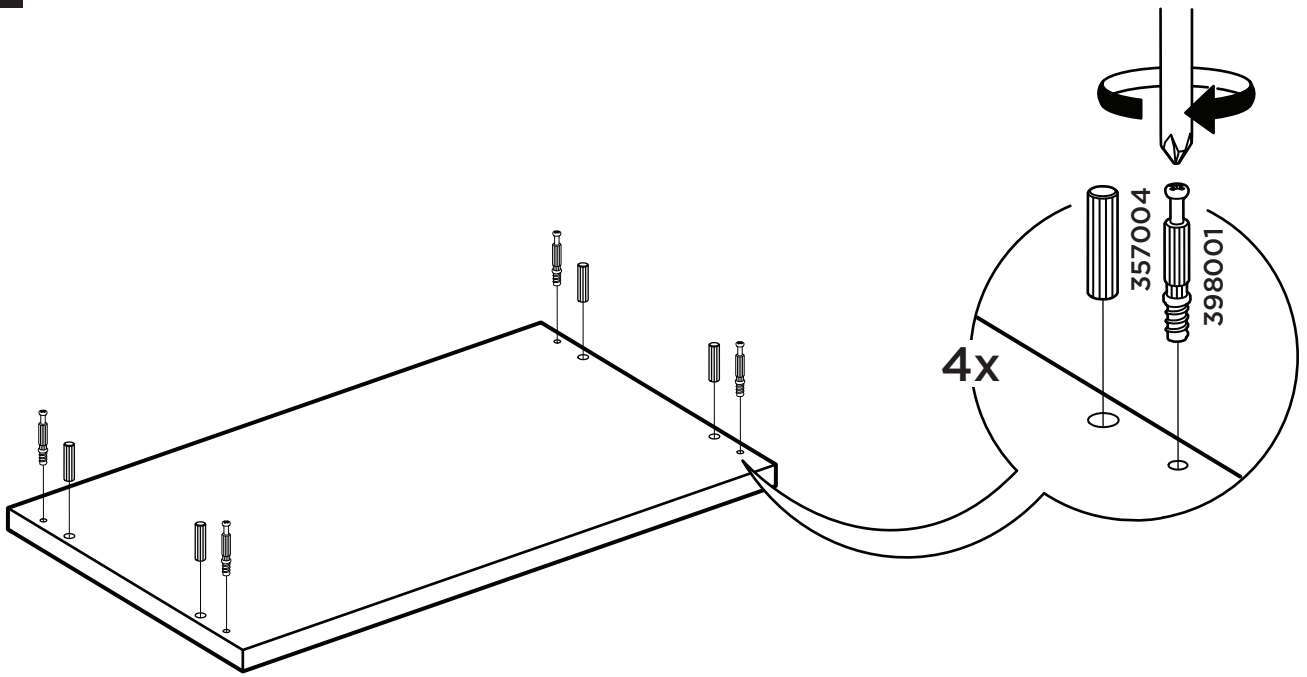
17



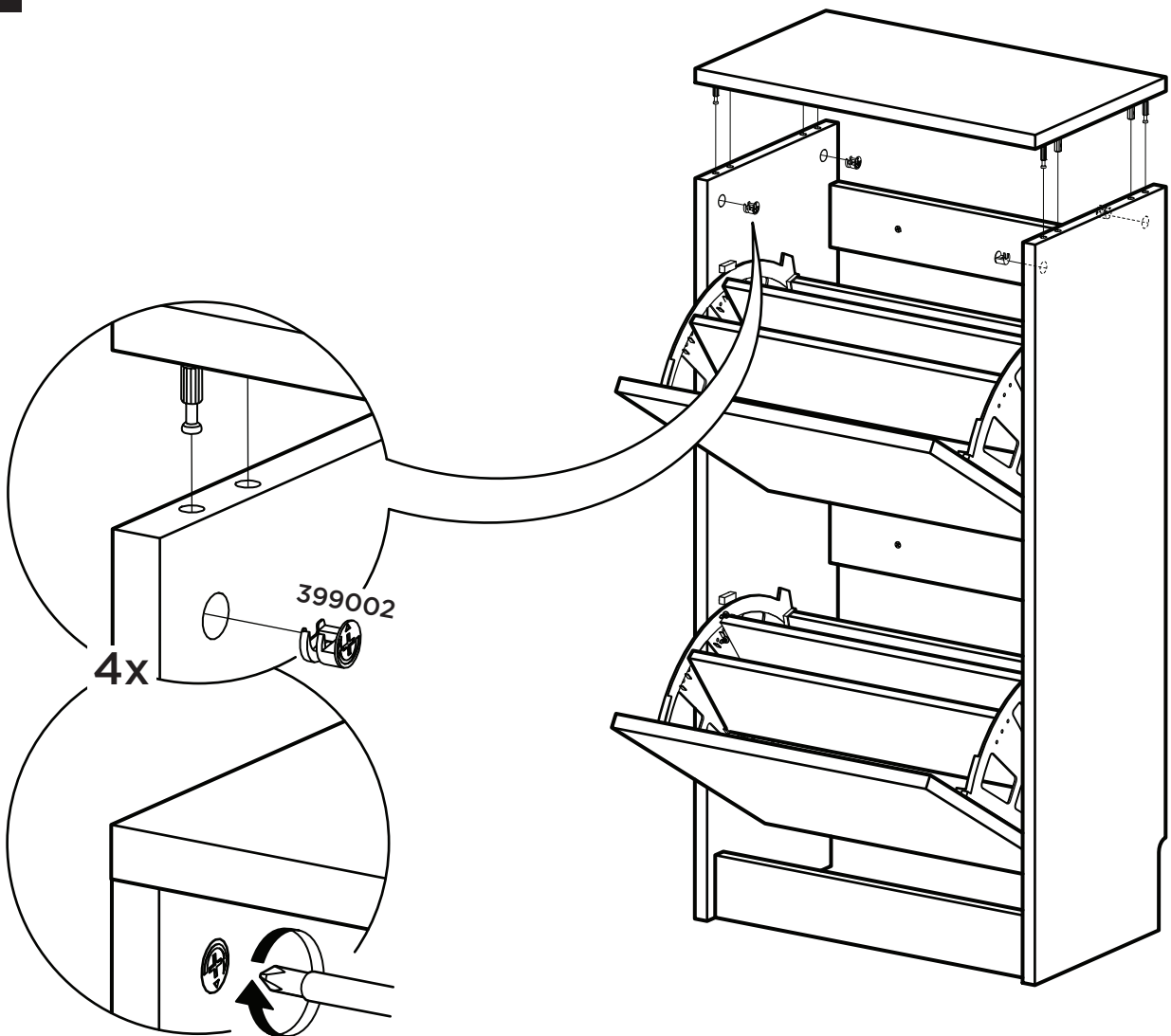
18



19



20











**metercube**