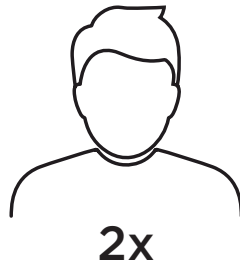


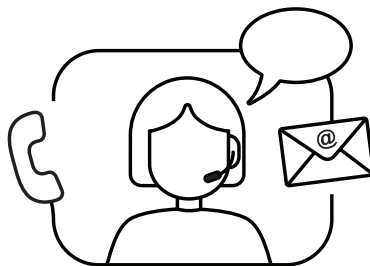
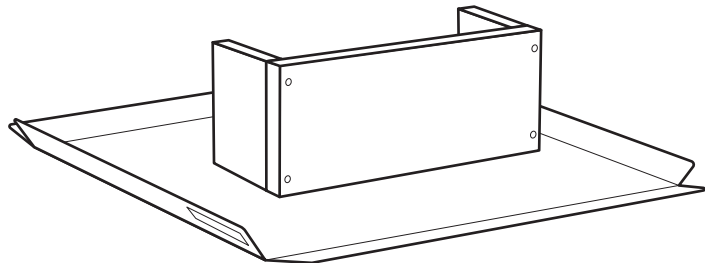
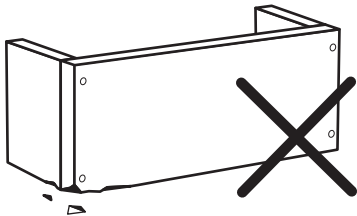
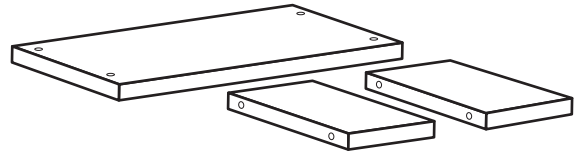
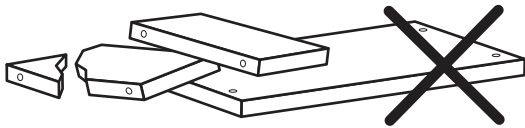
**greco**

263.010.01

metercube



2x

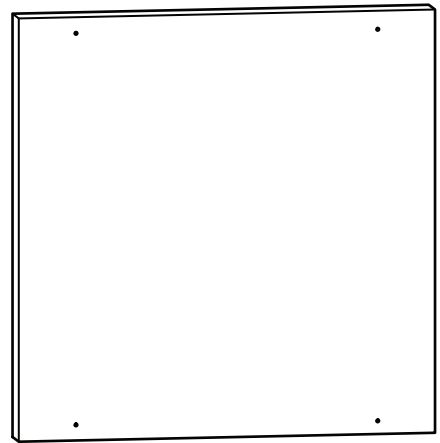




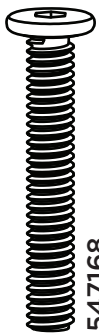
2x



2x

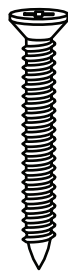


1x



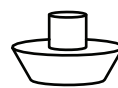
4x

547168



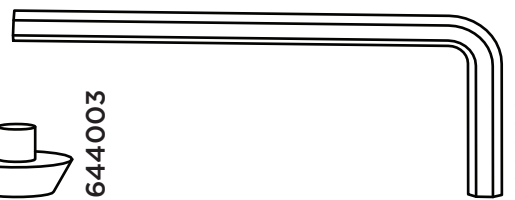
4x

526116



4x

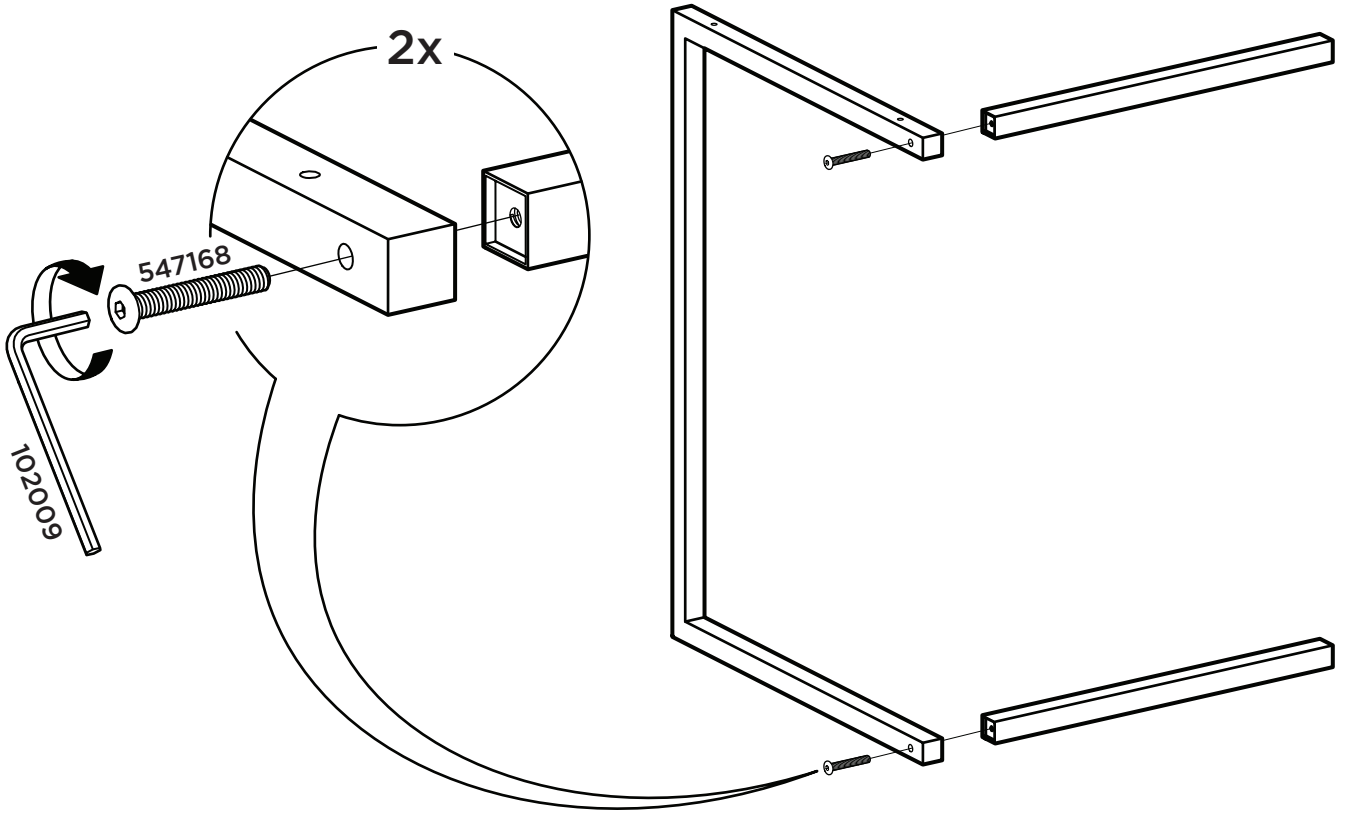
644003



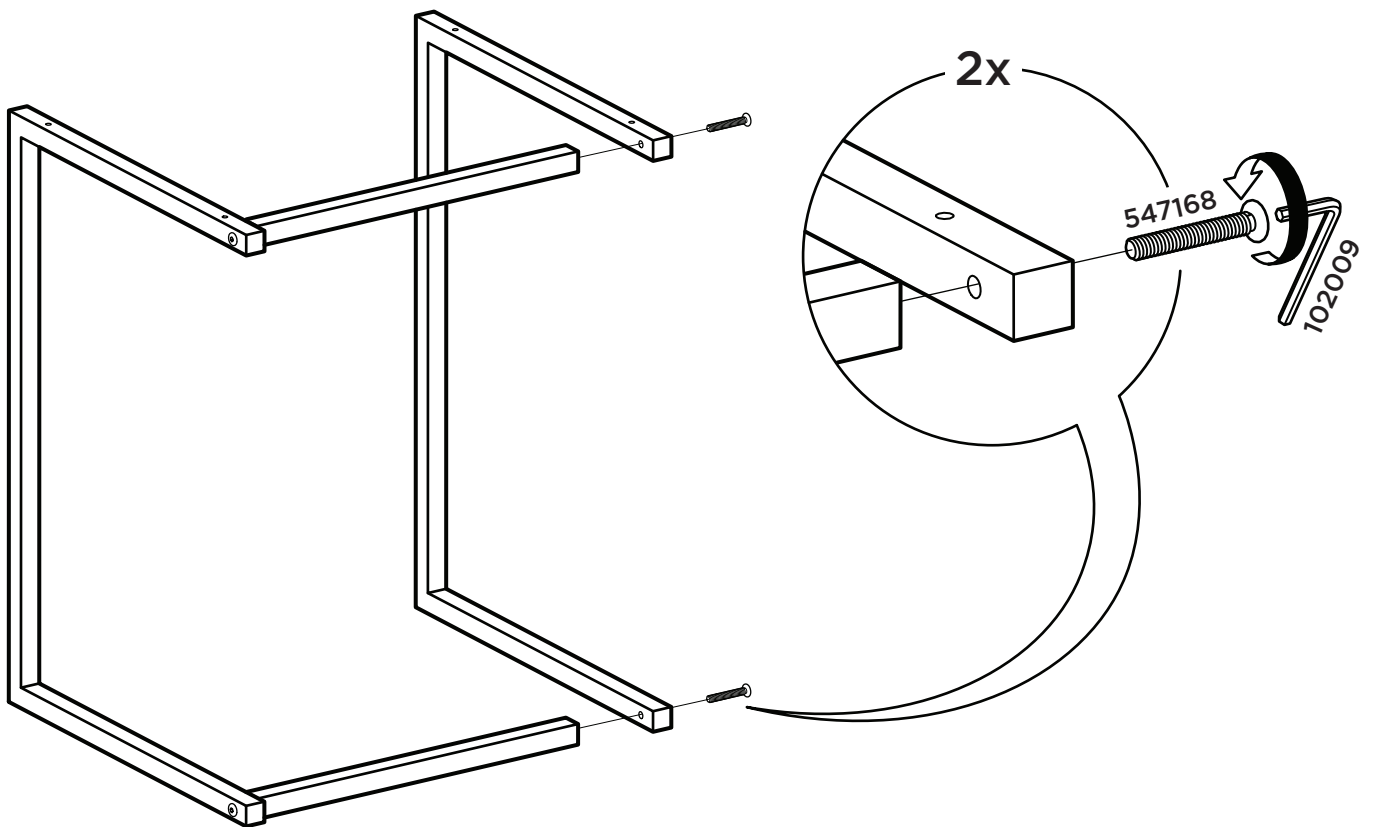
1x

102009

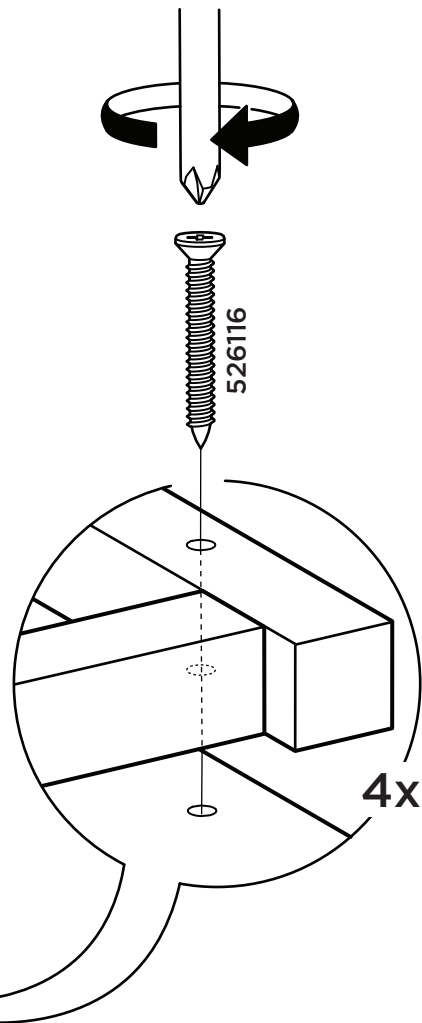
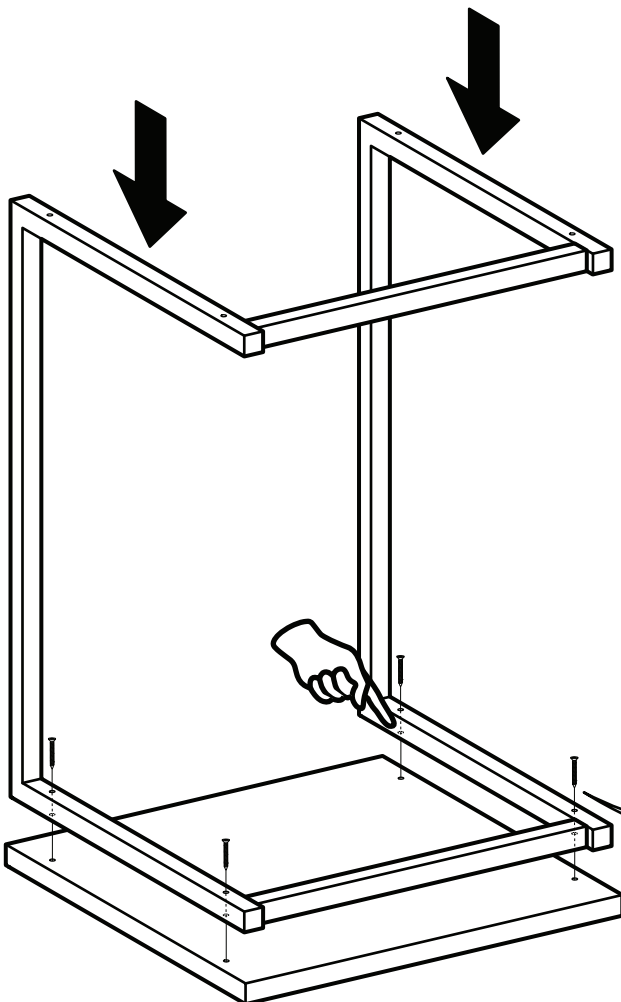
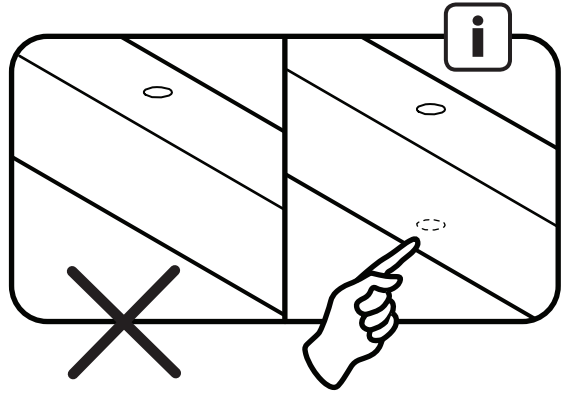
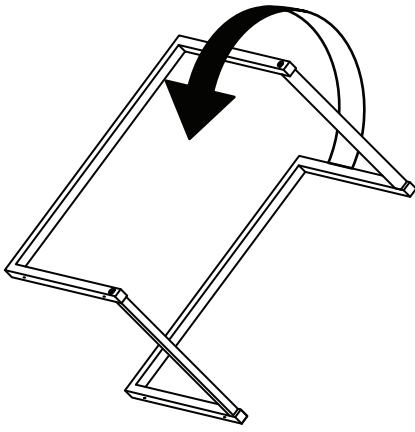
1

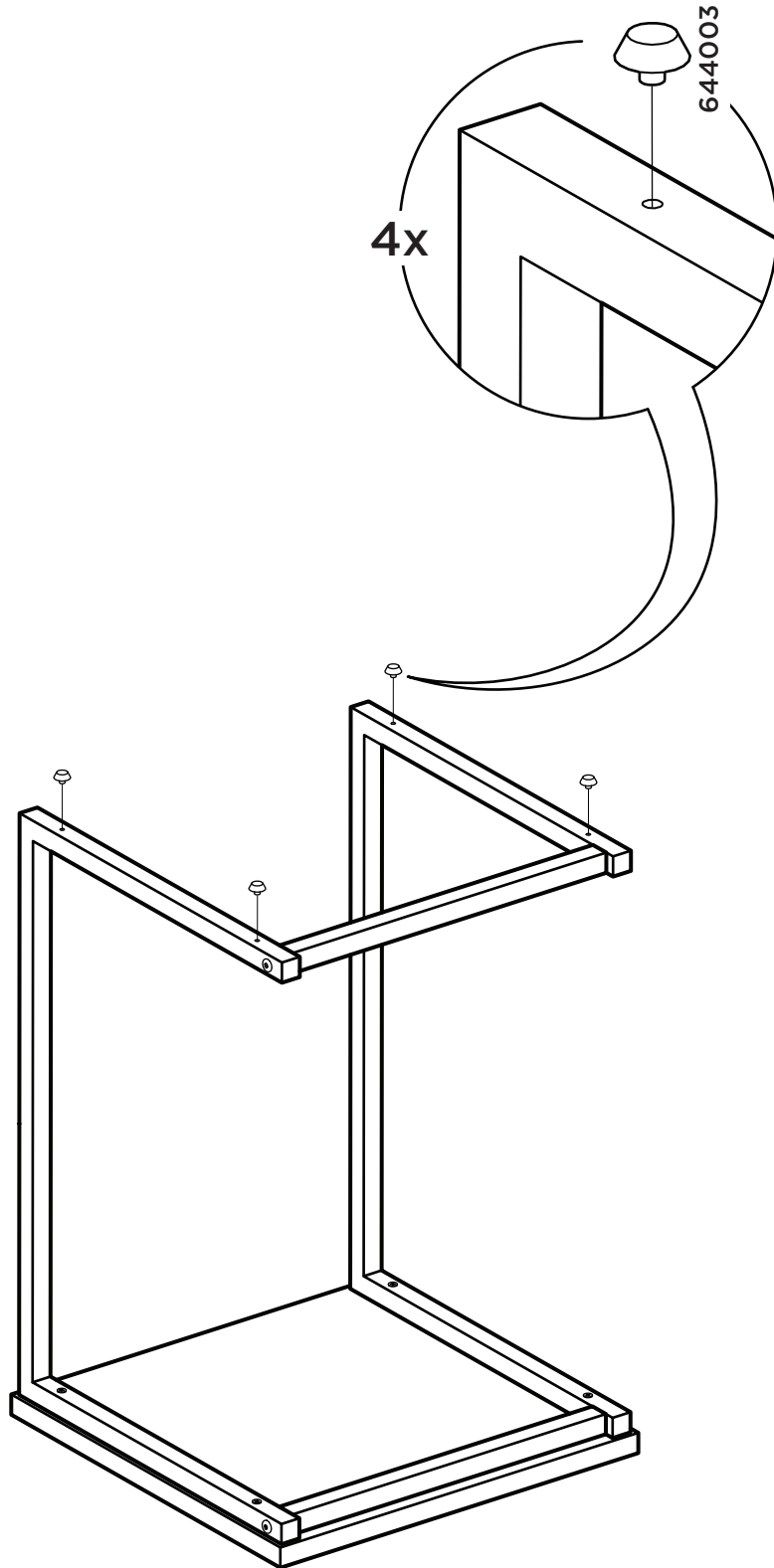


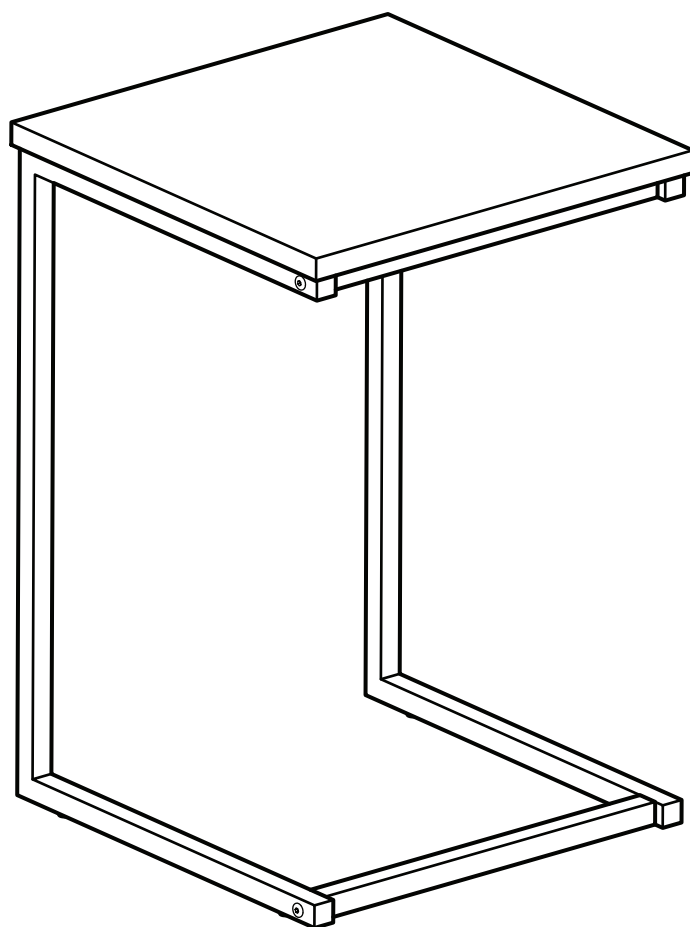
2



3







**metercube**